



US00D609542S

(12) **United States Design Patent**
Misaki et al.

(10) **Patent No.:** **US D609,542 S**

(45) **Date of Patent:** **** Feb. 9, 2010**

(54) **PORTABLE ELECTRIC GRINDER**

(75) Inventors: **Shingo Misaki**, Aichi-ken (JP);
Takahiro Kawakami, Aichi-ken (JP)

(73) Assignee: **Makita Corporation**, Anjo-shi (JP)

(**) Term: **14 Years**

(21) Appl. No.: **29/344,340**

(22) Filed: **Sep. 28, 2009**

(30) **Foreign Application Priority Data**

Apr. 30, 2009 (JP) 2009-007725

(51) **LOC (9) Cl.** **08-01**

(52) **U.S. Cl.** **D8/62**

(58) **Field of Classification Search** D32/15,
D32/17, 19; D8/67, 62, 61; D4/102; 451/456,
451/451, 359, 358, 357, 356, 355, 354, 353,
451/351, 344; 310/50; 173/170

See application file for complete search history.

(56) **References Cited**

U.S. PATENT DOCUMENTS

| | | | | |
|----------------|---------|--------------------|-------|---------|
| D107,275 S * | 11/1937 | Albertson | | D8/62 |
| D255,417 S * | 6/1980 | Sakamoto et al. | | D8/62 |
| D297,907 S * | 10/1988 | Hoshimo et al. | | D8/62 |
| D305,399 S * | 1/1990 | Fushiya et al. | | D8/62 |
| 6,241,594 B1 * | 6/2001 | Lepold | | 451/359 |
| D453,288 S * | 2/2002 | Lui | | D8/62 |
| 6,527,630 B2 * | 3/2003 | Mannsperger et al. | | 451/344 |
| D475,263 S * | 6/2003 | Andriolo | | D8/62 |
| D491,033 S * | 6/2004 | Bian | | D8/62 |
| D494,827 S * | 8/2004 | Liu | | D8/62 |
| D498,653 S * | 11/2004 | Wu | | D8/62 |
| D521,833 S * | 5/2006 | Okuda et al. | | D8/62 |

| | | | | |
|-------------------|---------|------------------|-------|---------|
| D522,334 S * | 6/2006 | Waldron | | D8/62 |
| D523,308 S * | 6/2006 | Corcoran | | D8/62 |
| D524,129 S * | 7/2006 | Waldron | | D8/62 |
| D538,615 S * | 3/2007 | Hastie | | D8/62 |
| D548,034 S * | 8/2007 | Hayakawa et al. | | D8/62 |
| D557,580 S * | 12/2007 | Aglassinger | | D8/62 |
| D558,016 S * | 12/2007 | Aglassinger | | D8/62 |
| D564,321 S * | 3/2008 | Huguet et al. | | D8/62 |
| D567,610 S * | 4/2008 | Wright | | D8/62 |
| D581,759 S * | 12/2008 | Aglassinger | | D8/62 |
| D585,713 S * | 2/2009 | Boulton et al. | | D8/62 |
| D593,826 S * | 6/2009 | Aglassinger | | D8/62 |
| 2003/0190877 A1 * | 10/2003 | Gallagher et al. | | 451/344 |

* cited by examiner

Primary Examiner—Cathron C Brooks

Assistant Examiner—Austin Murphy

(74) *Attorney, Agent, or Firm*—Oliff & Berridge, PLC

(57) **CLAIM**

The ornamental design for a portable electric grinder, as shown and described.

DESCRIPTION

FIG. 1 is a perspective view of top, front and left side of a portable electric grinder showing our new design;

FIG. 2 is a front view thereof;

FIG. 3 is a rear view thereof;

FIG. 4 is a top plan view thereof;

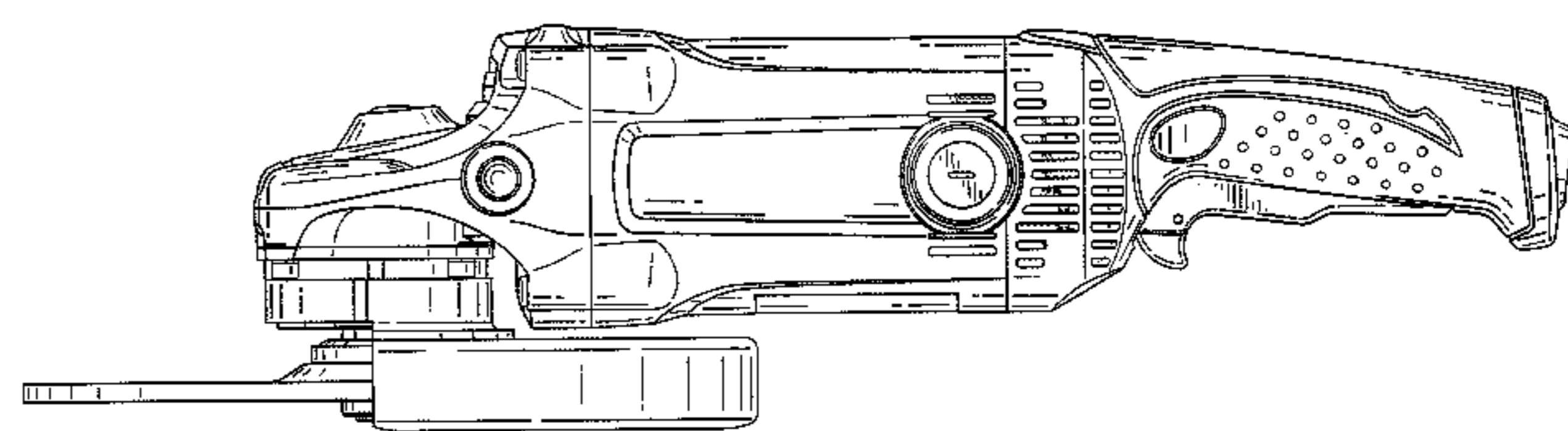
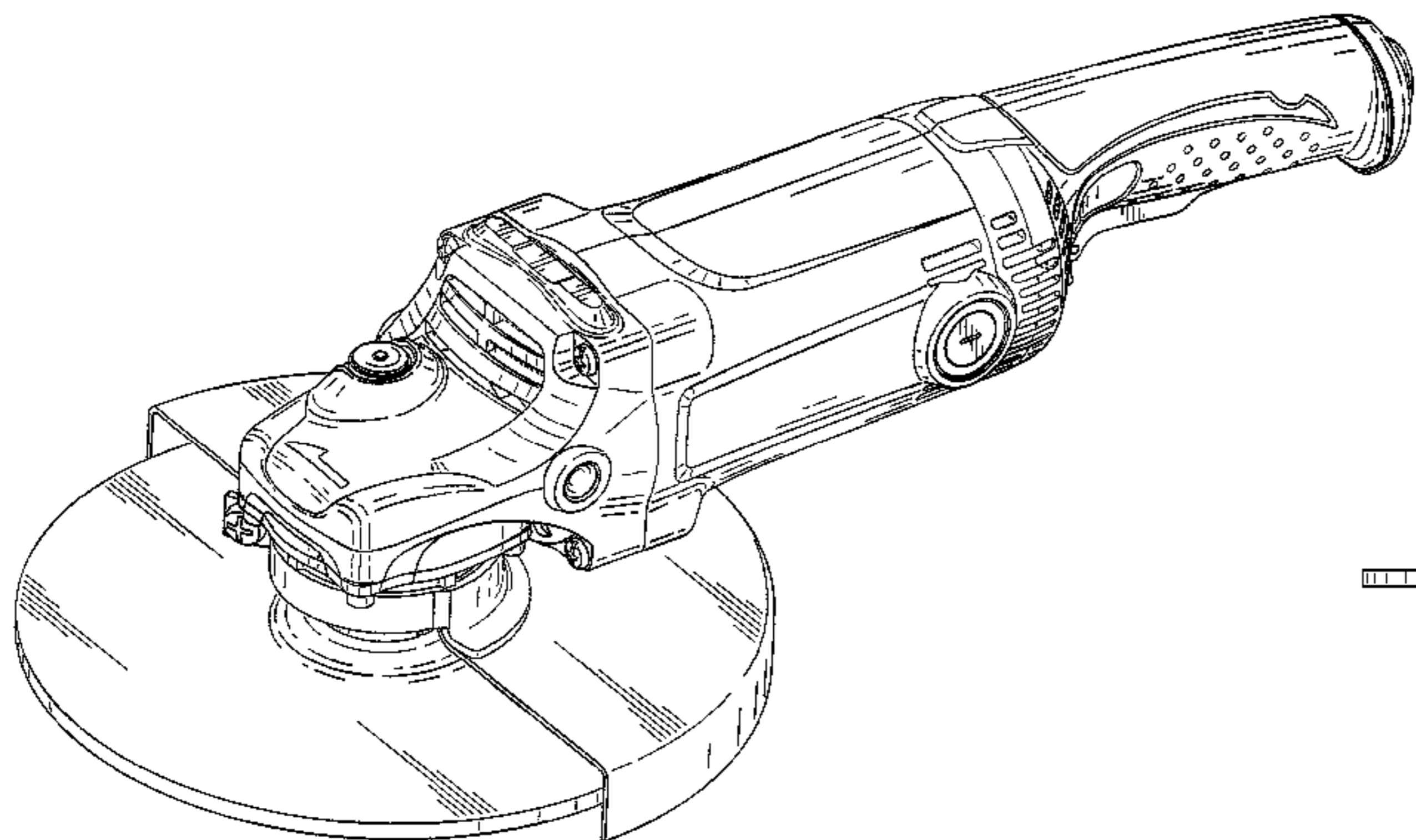
FIG. 5 is a bottom view thereof;

FIG. 6 is a left side view thereof; and,

FIG. 7 is a right side view thereof.

The portion of the article in broken lines are shown for illustrative purposes only and form no part of the claimed design.

1 Claim, 5 Drawing Sheets



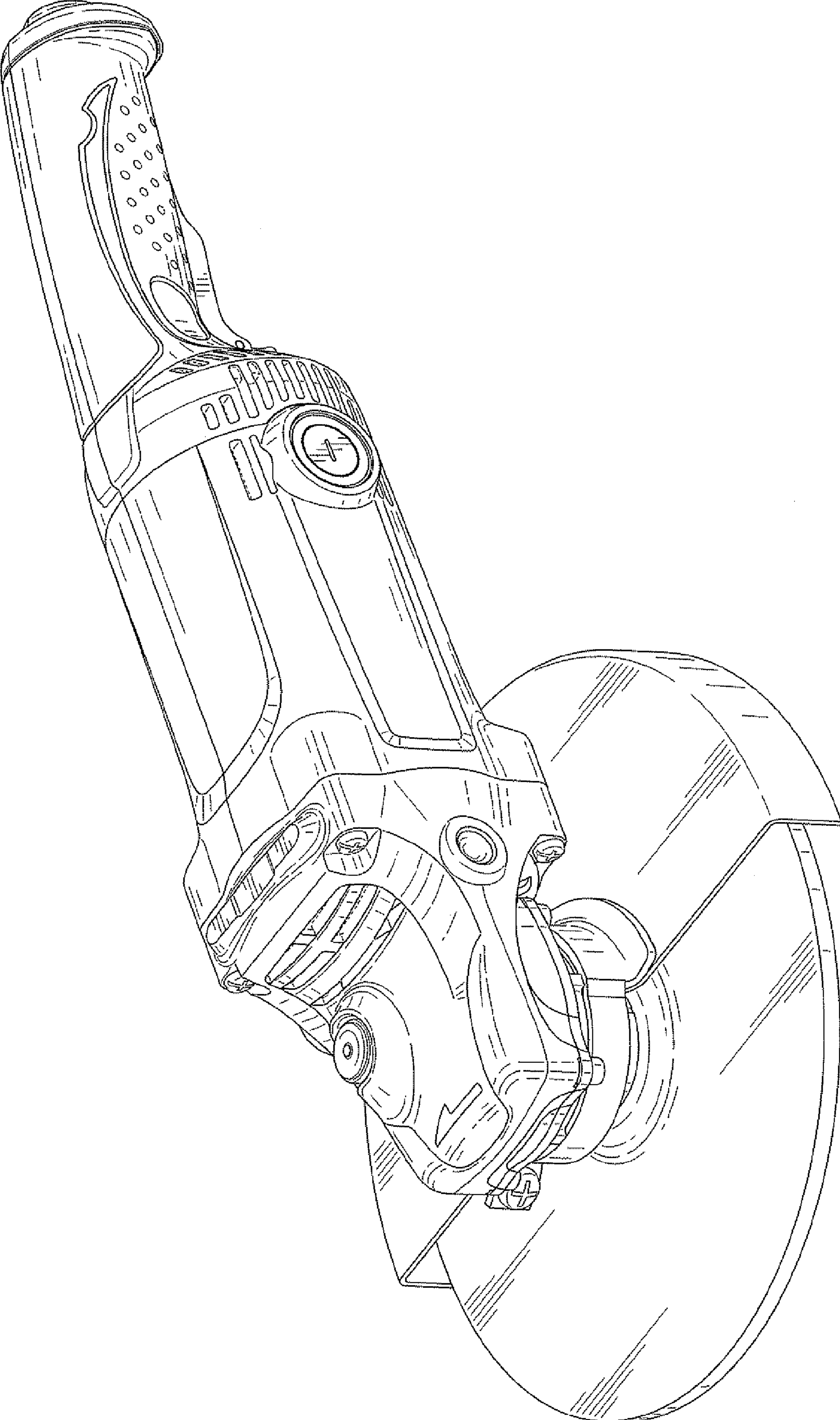


FIG. 1

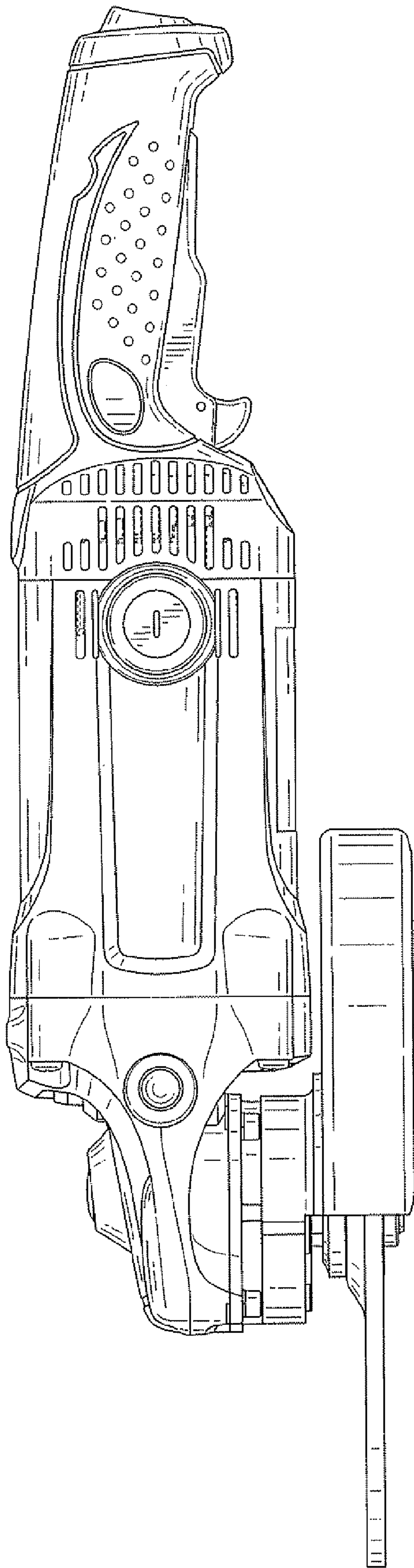


FIG. 2

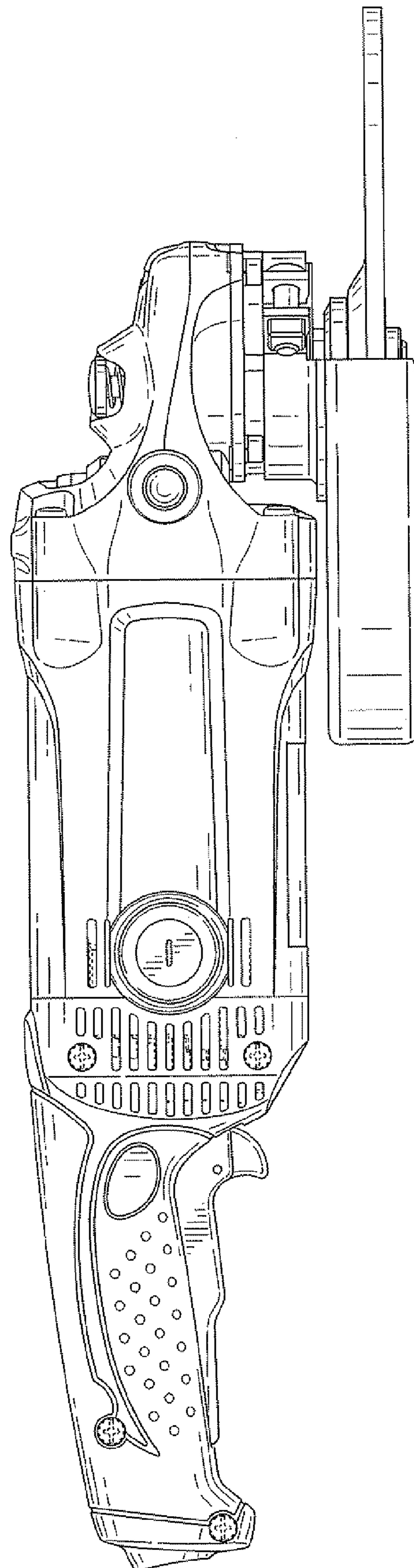


FIG. 3

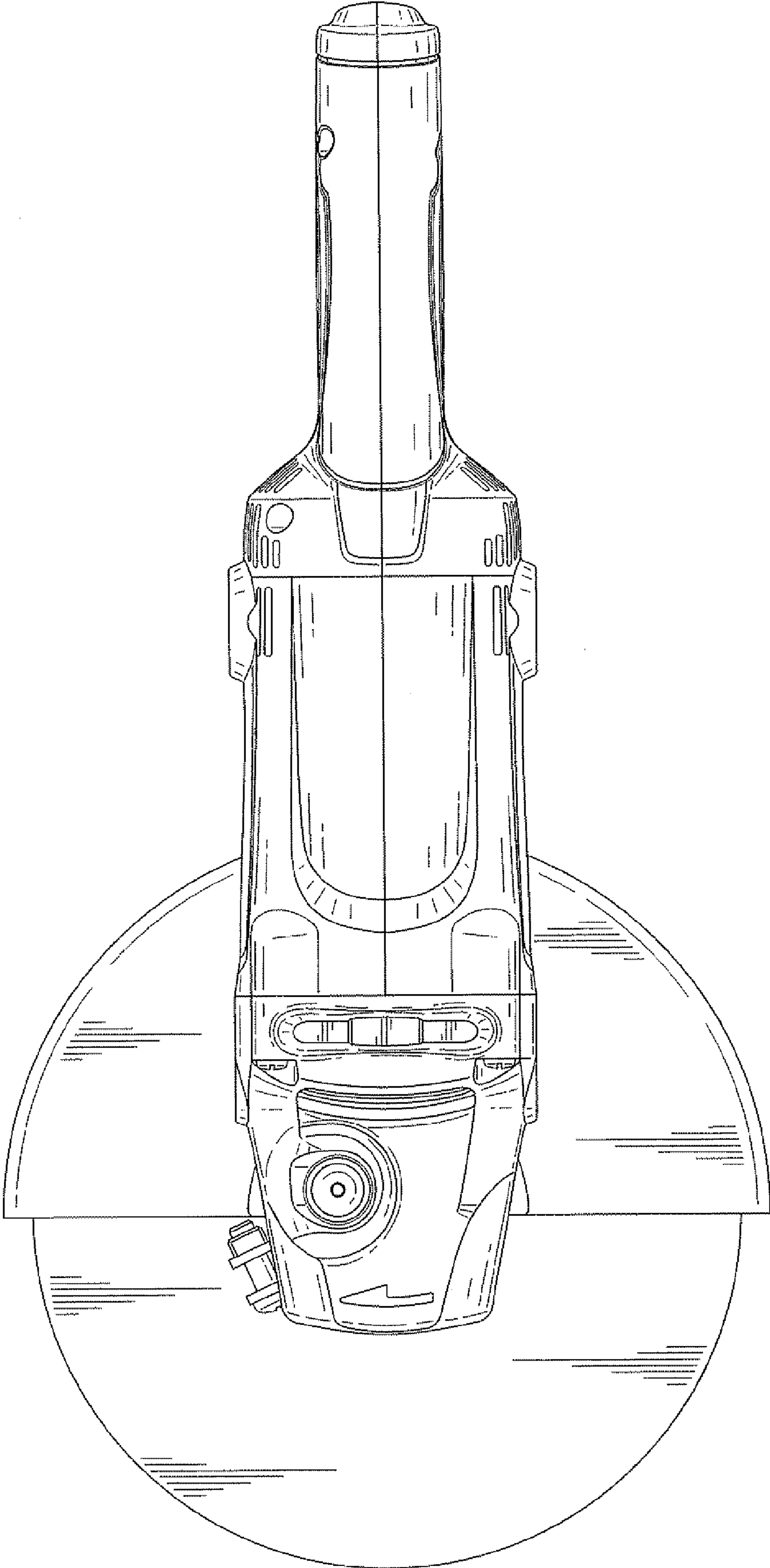


FIG. 4

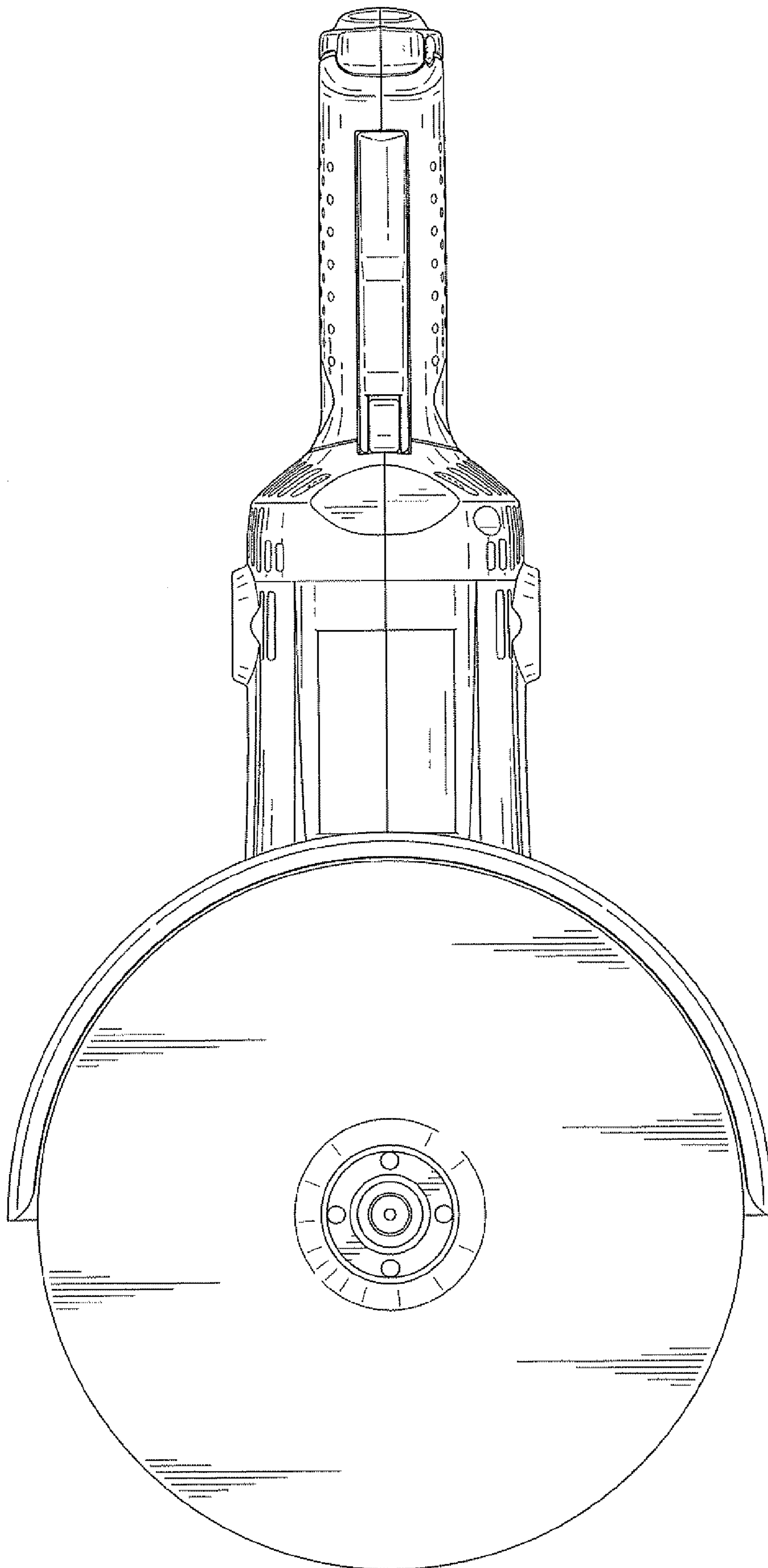


FIG. 5

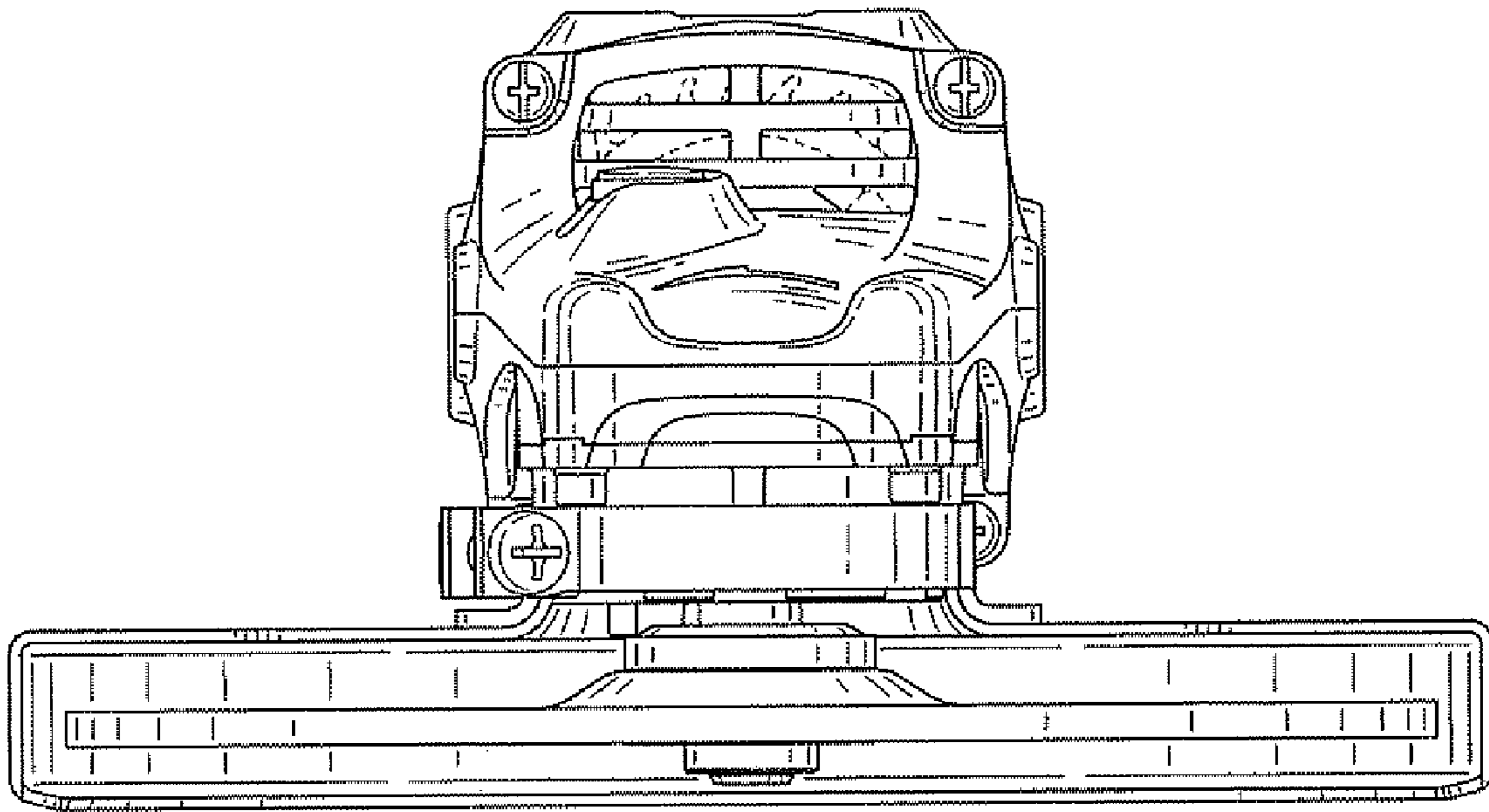


FIG. 6

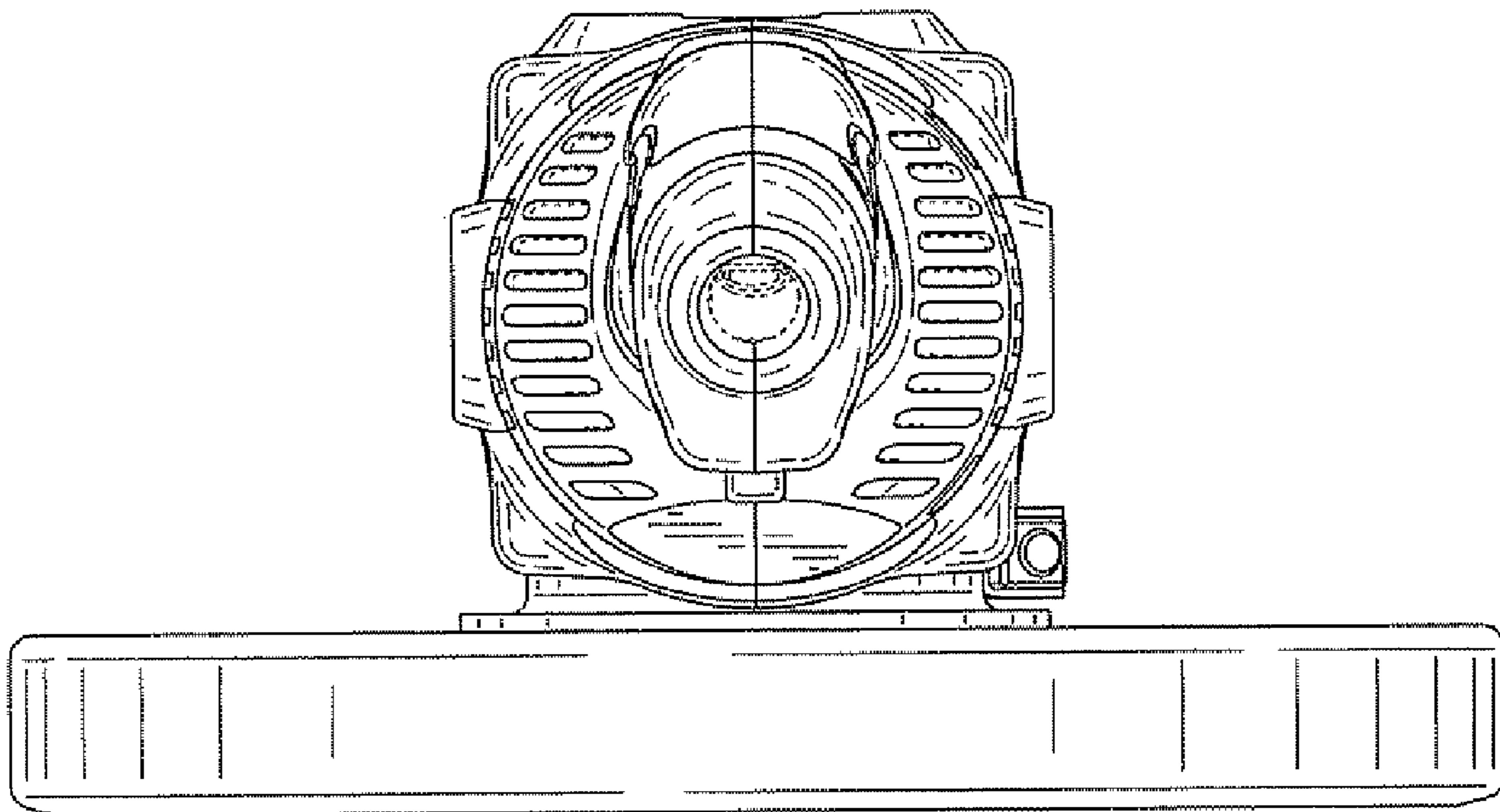


FIG. 7

UNITED STATES PATENT AND TRADEMARK OFFICE
CERTIFICATE OF CORRECTION

PATENT NO. : Des. 609,542 S
APPLICATION NO. : 29/344340
DATED : February 9, 2010
INVENTOR(S) : Shingo Misaki et al.

Page 1 of 1

It is certified that error appears in the above-identified patent and that said Letters Patent is hereby corrected as shown below:

Title page should read as follows:

Item (30), please change "Apr. 30, 2009" to "Apr. 3, 2009."

Signed and Sealed this

Fifteenth Day of June, 2010

A handwritten signature in black ink that reads "David J. Kappos". The signature is written in a cursive, slightly slanted style.

David J. Kappos
Director of the United States Patent and Trademark Office