



US00D609540S

(12) **United States Design Patent**
Oberg

(10) **Patent No.:** **US D609,540 S**

(45) **Date of Patent:** **** Feb. 9, 2010**

(54) **POST PULLER**

(75) Inventor: **James D. Oberg**, Eagle Bend, MN (US)

(73) Assignee: **BAC Industries, Inc.**, Eden Prairie, MN (US)

(**) Term: **14 Years**

(21) Appl. No.: **29/331,746**

(22) Filed: **Jan. 30, 2009**

(51) **LOC (9) Cl.** **08-05**

(52) **U.S. Cl.** **D8/51**

(58) **Field of Classification Search** D8/1,
D8/4, 14, 51-58, 60, 105-107; D34/31;
254/30, 132, 243

See application file for complete search history.

(56) **References Cited**

U.S. PATENT DOCUMENTS

1,581,935	A	4/1926	Lase	
1,778,682	A	10/1930	McManus	
1,911,287	A *	5/1933	Pladson	254/132
2,424,929	A	7/1947	Haney	
2,532,533	A *	12/1950	Baldwin et al.	254/31
2,582,284	A	1/1952	Sarosdy	
2,926,890	A	3/1960	Majors	
4,161,310	A *	7/1979	Parker	254/30
4,738,433	A *	4/1988	Hoff	254/30
4,856,759	A	8/1989	Ness	
D312,196	S *	11/1990	Norona	D8/14
5,022,632	A	6/1991	Beideck	
5,186,437	A *	2/1993	Scott	254/30
D361,248	S *	8/1995	Harper et al.	D8/51
5,464,192	A *	11/1995	Burnham	254/30
D371,492	S *	7/1996	Pfeil et al.	D8/14
D372,177	S *	7/1996	Hansen	D8/51

6,302,376	B1 *	10/2001	Williams	254/30
6,367,779	B1	4/2002	Martin et al.	
7,185,880	B1	3/2007	McCray	
D547,152	S *	7/2007	Anzaldua	D8/51
7,290,754	B2	11/2007	Mensi et al.	

* cited by examiner

Primary Examiner—Cathron C Brooks

Assistant Examiner—Deanna Fluegeman

(74) *Attorney, Agent, or Firm*—James J. Paige; Nikolai & Mersereau, P.A.

(57) **CLAIM**

The ornamental design for a “post puller,” as shown and described.

DESCRIPTION

FIG. 1 is an oblique view of the post puller of the present invention;

FIG. 2 is a right side plan view of the post puller shown in FIG. 1;

FIG. 3 is a left side plan view of the post puller shown in FIG. 1;

FIG. 4 is a front plan view of the post puller shown in FIG. 1;

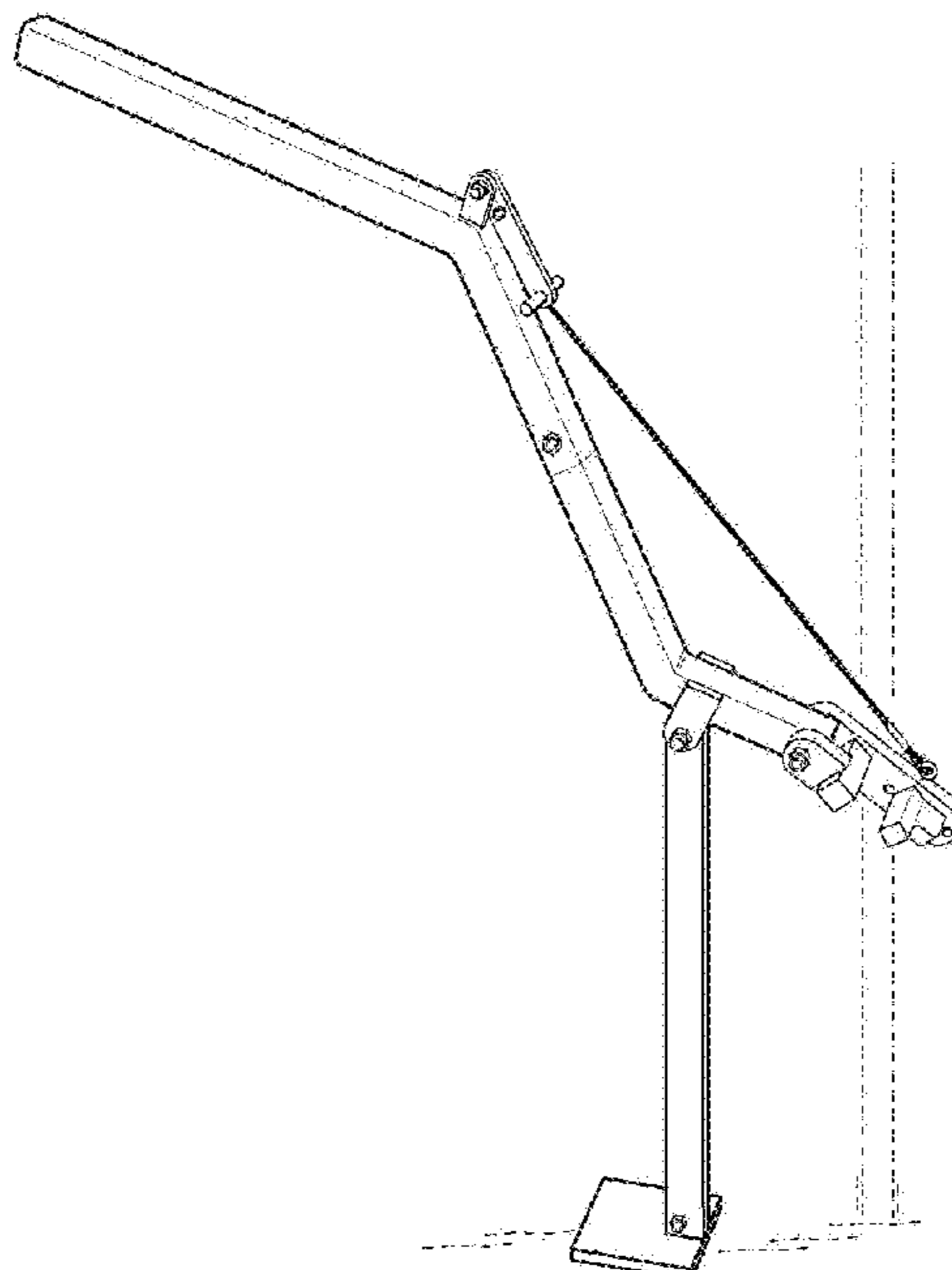
FIG. 5 is a rear plan view of the post puller shown in FIG. 1;

FIG. 6 is a top plan view of the post puller shown in FIG. 1; and,

FIG. 7 is a bottom plan view of the post puller shown in FIG. 1.

The broken line subject matter in FIG. 1 is included for the purpose of illustrating unclaimed environment and forms no part of the claimed design.

1 Claim, 4 Drawing Sheets



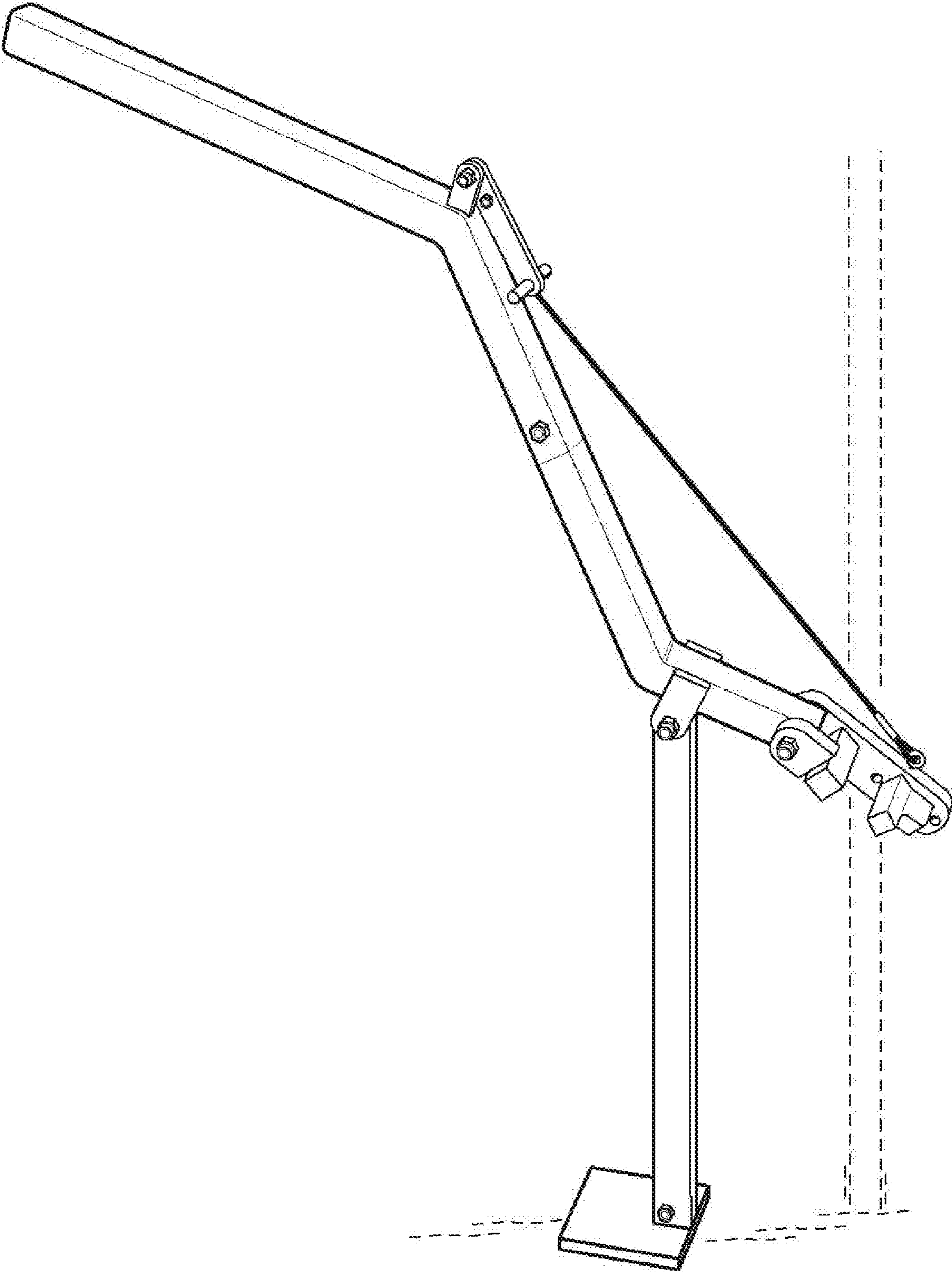


Fig. 1

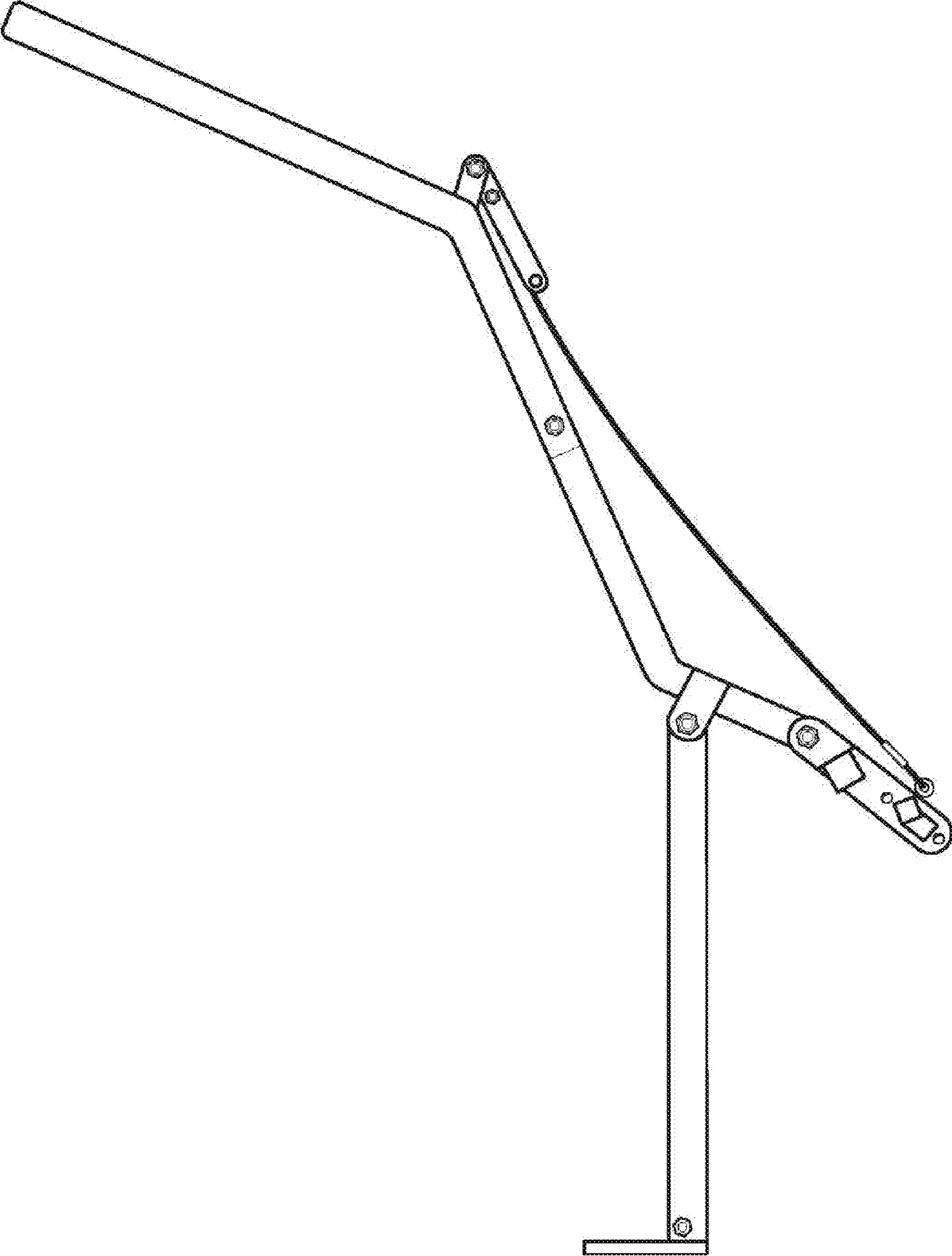


Fig. 2

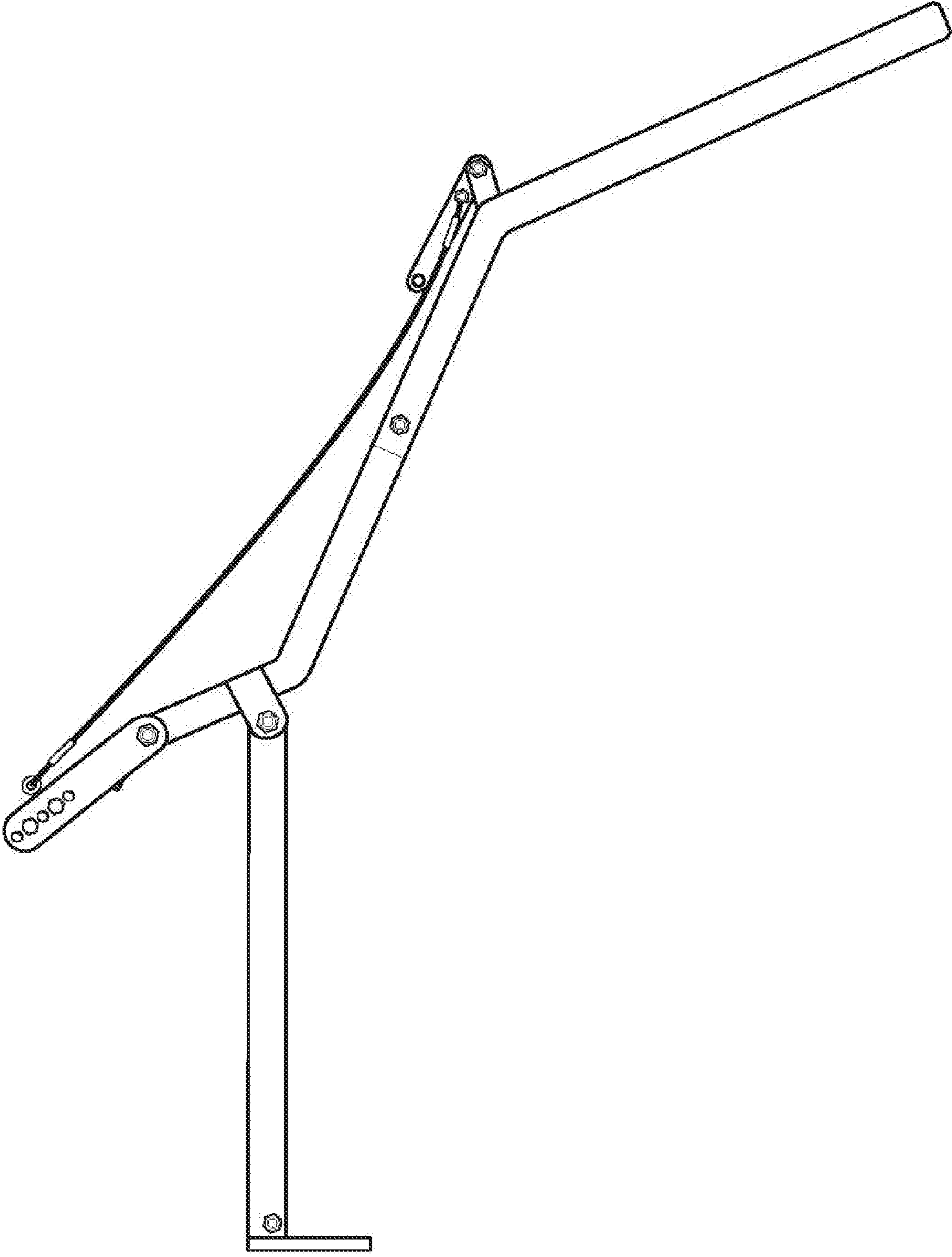


Fig. 3

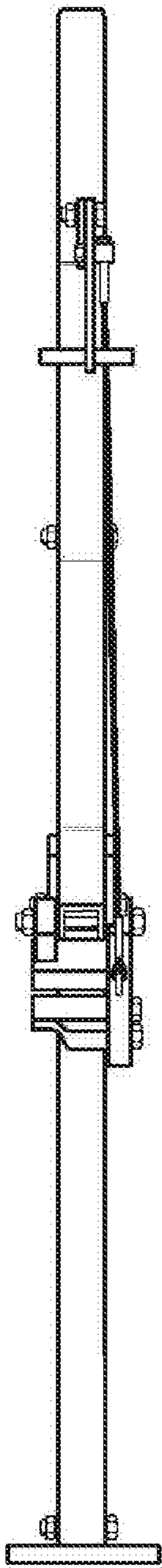


Fig. 4

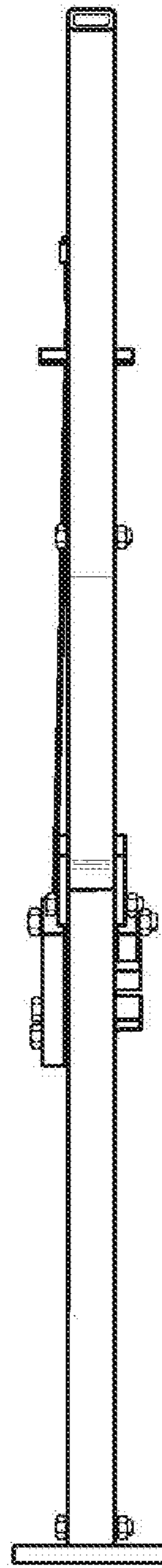


Fig. 5

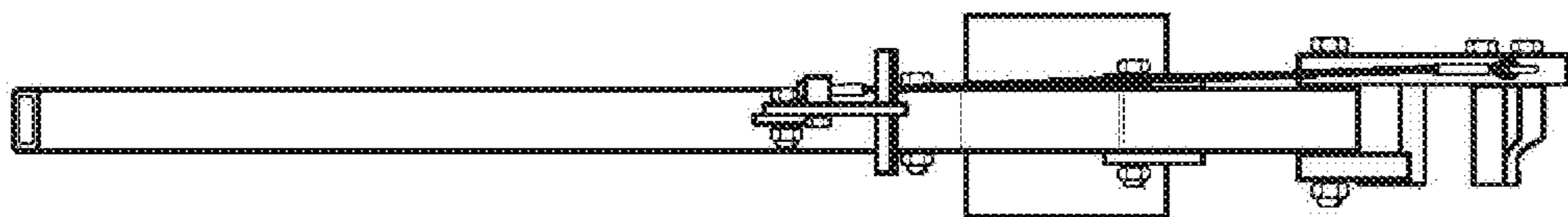


Fig. 6

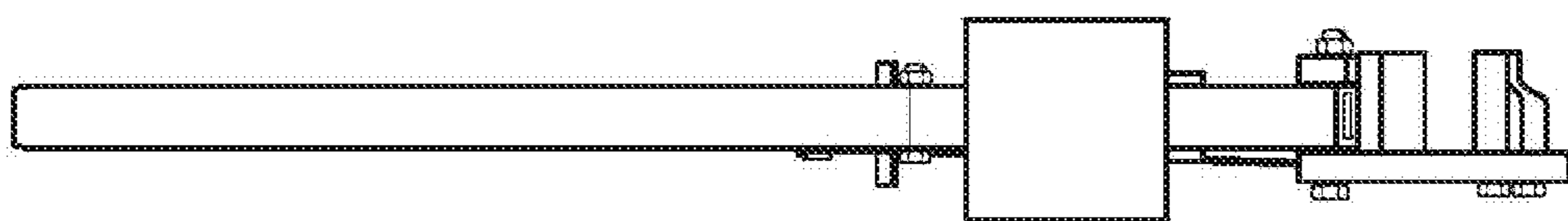


Fig. 7