



US00D609534S

(12) **United States Design Patent**  
**Traficante et al.**

(10) **Patent No.:** **US D609,534 S**

(45) **Date of Patent:** **\*\* Feb. 9, 2010**

(54) **DRINKING VESSEL HOLDER**

(76) Inventors: **Christopher Traficante**, 39 S. Maple St.  
Floor 2, Westfield, MA (US) 01085;  
**Wendy Elaine Holmes**, 39 S. Maple St.  
Floor 2, Westfield, MA (US) 01085

(\*\*) Term: **14 Years**

(21) Appl. No.: **29/314,003**

(22) Filed: **Feb. 24, 2009**

(51) **LOC (9) Cl.** ..... **07-06**

(52) **U.S. Cl.** ..... **D7/622**

(58) **Field of Classification Search** ..... D7/590,  
D7/601-602, 606-608, 619.1, 619.2, 622,  
D7/624.1, 624.2, 625, 628, 388, 396.1, 396.2;  
D9/455; 220/694, 703, 710.5, 732, 737,  
220/738, 739, 741-742, 903  
See application file for complete search history.

(56) **References Cited**

**U.S. PATENT DOCUMENTS**

D91,786 S *	3/1934	Panza .....	D7/622
D209,533 S *	12/1967	Cola et al. ....	D7/622
D211,818 S *	7/1968	Massey .....	D7/622
3,458,164 A *	7/1969	Massey .....	248/145.6
4,723,801 A *	2/1988	Musumeci et al. ....	294/33
5,335,954 A *	8/1994	Holub et al. ....	294/31.2

D416,444 S *	11/1999	Jørgensen .....	D7/536
D494,471 S *	8/2004	Chou .....	D9/455
D505,328 S *	5/2005	Chou .....	D9/455
D512,275 S *	12/2005	Kent-Fawkes .....	D7/622
D557,567 S *	12/2007	Gronikowski et al. ....	D7/622
D593,859 S *	6/2009	Barnum .....	D9/455

\* cited by examiner

*Primary Examiner*—Ian Simmons  
*Assistant Examiner*—Dana L Sipos

(57) **CLAIM**

We claim the ornamental design for a drinking vessel holder, as shown and described.

**DESCRIPTION**

This application is related to copending U.S. Design patent application Ser. No. 29/312,440 filed on Oct. 20, 2008.

FIG. 1 is a top, left side perspective view of a drinking vessel holder showing our new design;

FIG. 2 is a left side elevation view thereof;

FIG. 3 is a rear elevation view thereof;

FIG. 4 is a front elevation view thereof;

FIG. 5 is a top plan view thereof; and,

FIG. 6 is a bottom plan view thereof.

**1 Claim, 3 Drawing Sheets**

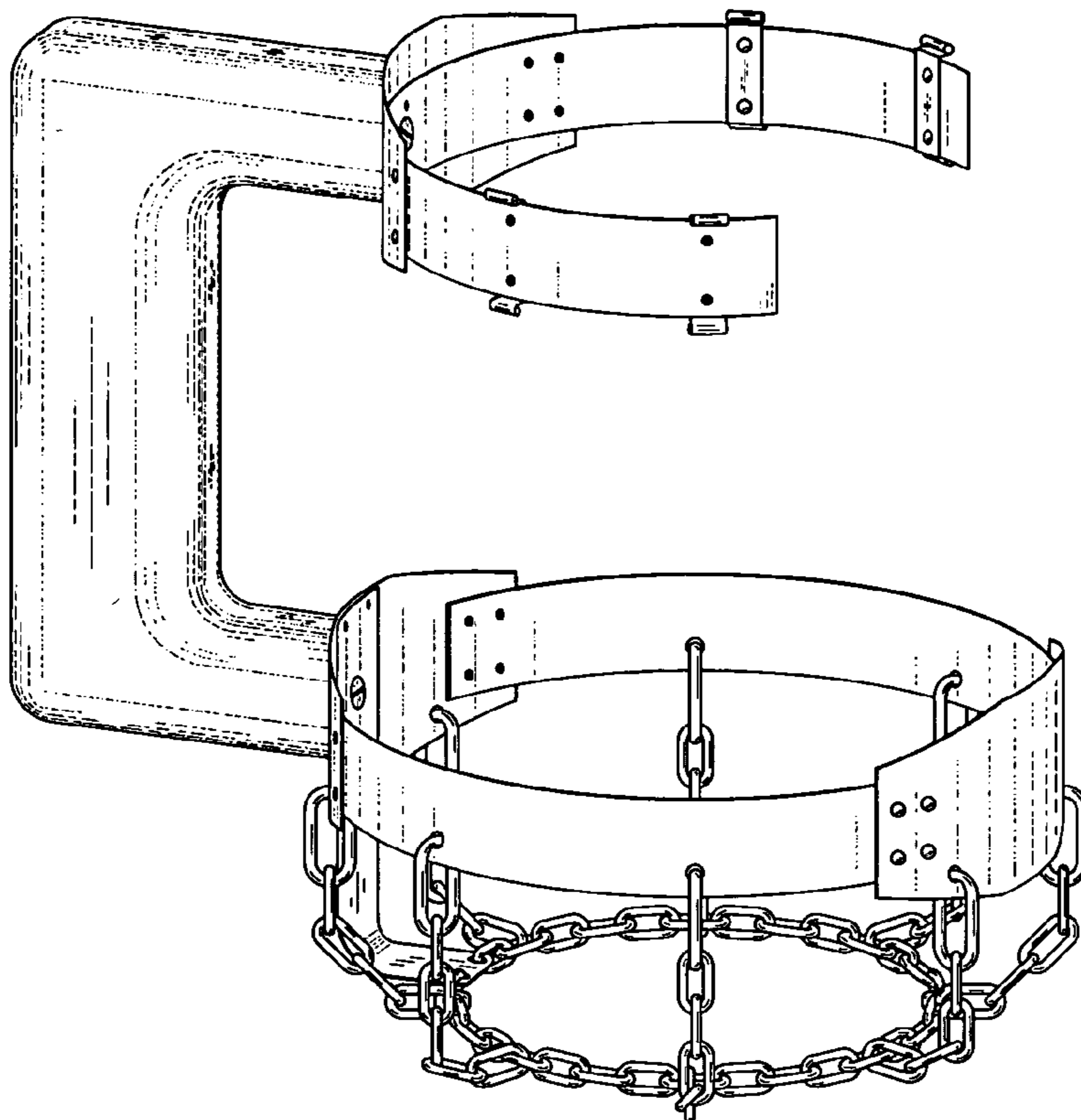


Fig. 1

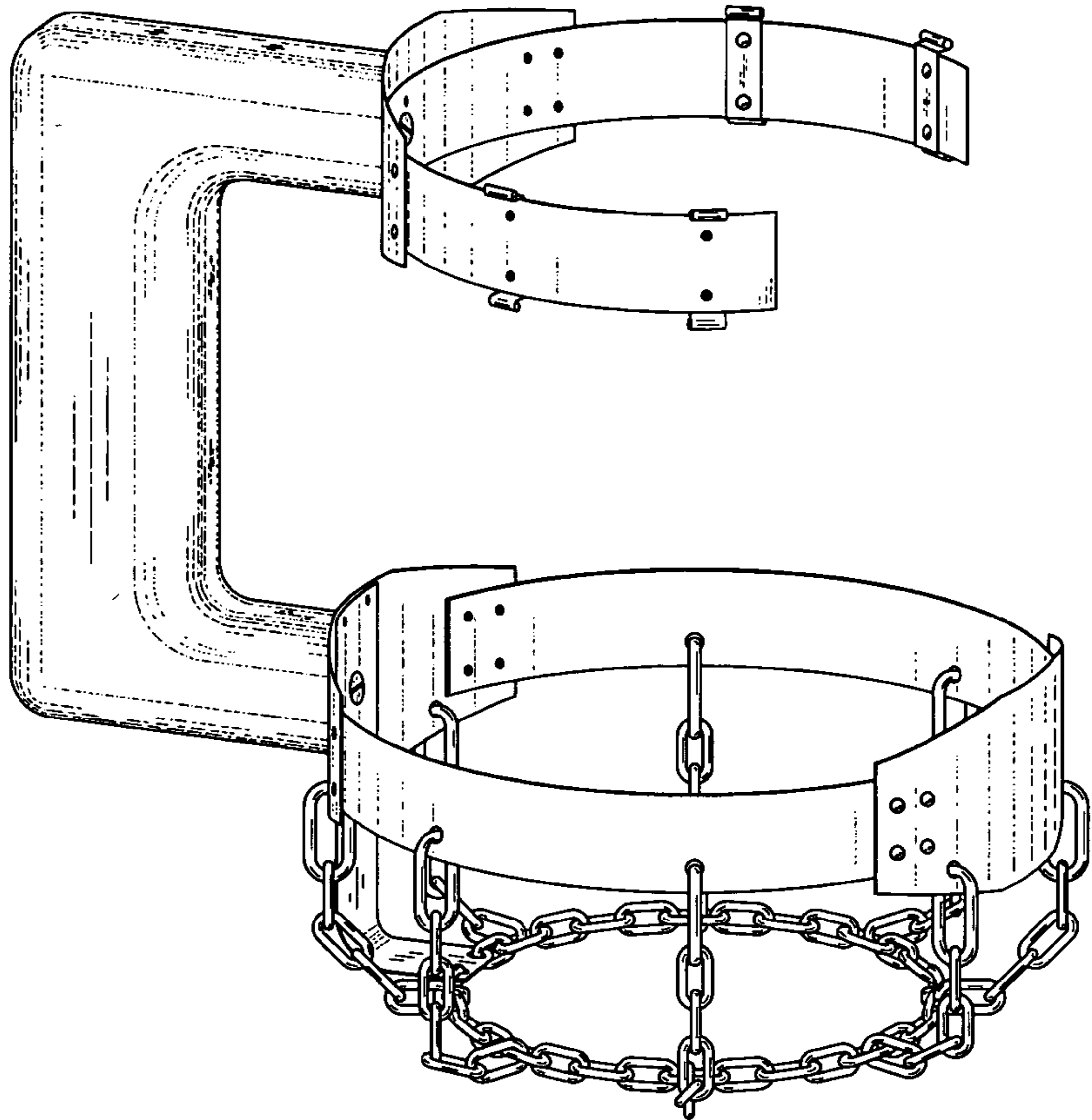


Fig. 2

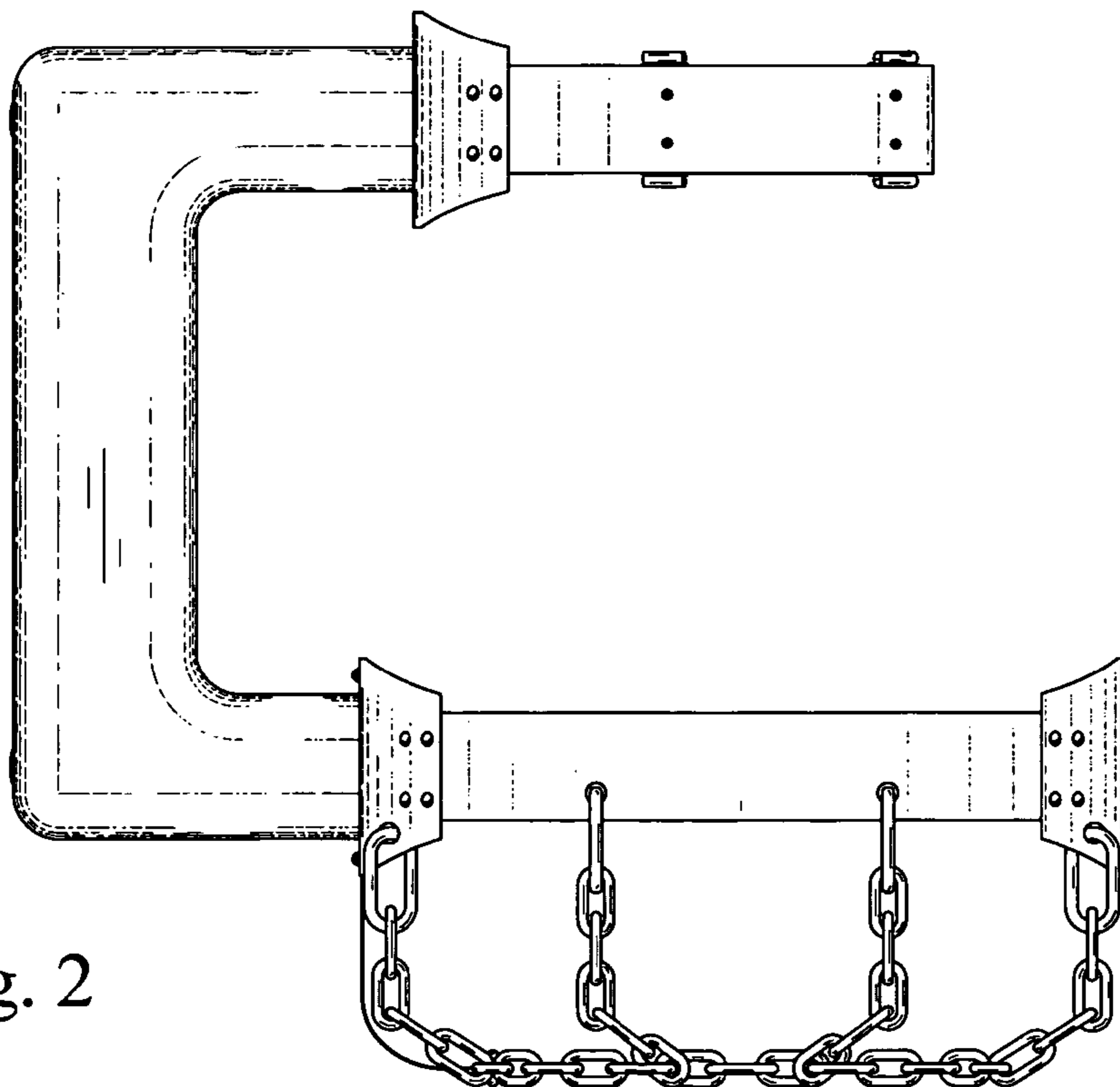


Fig. 3

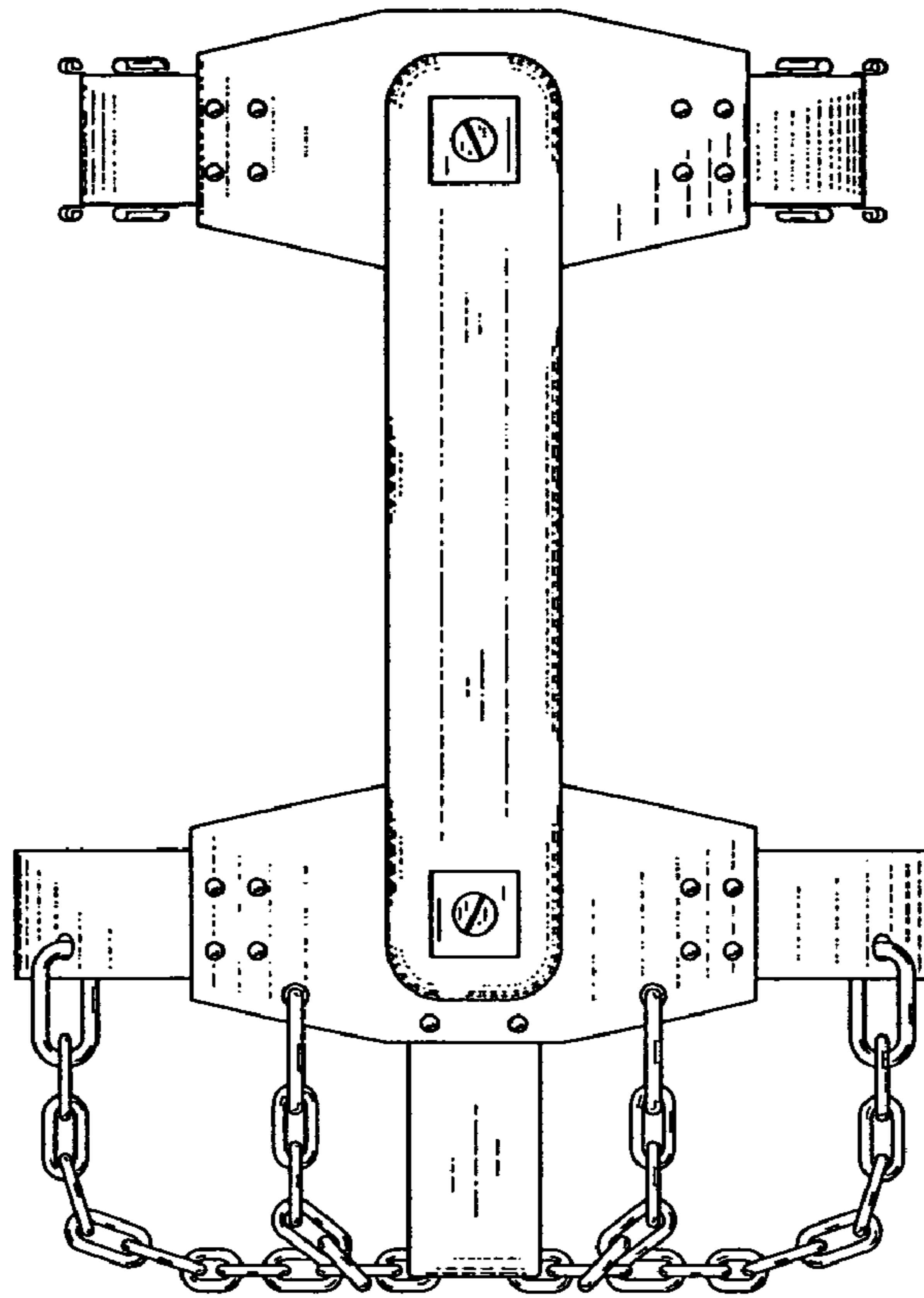
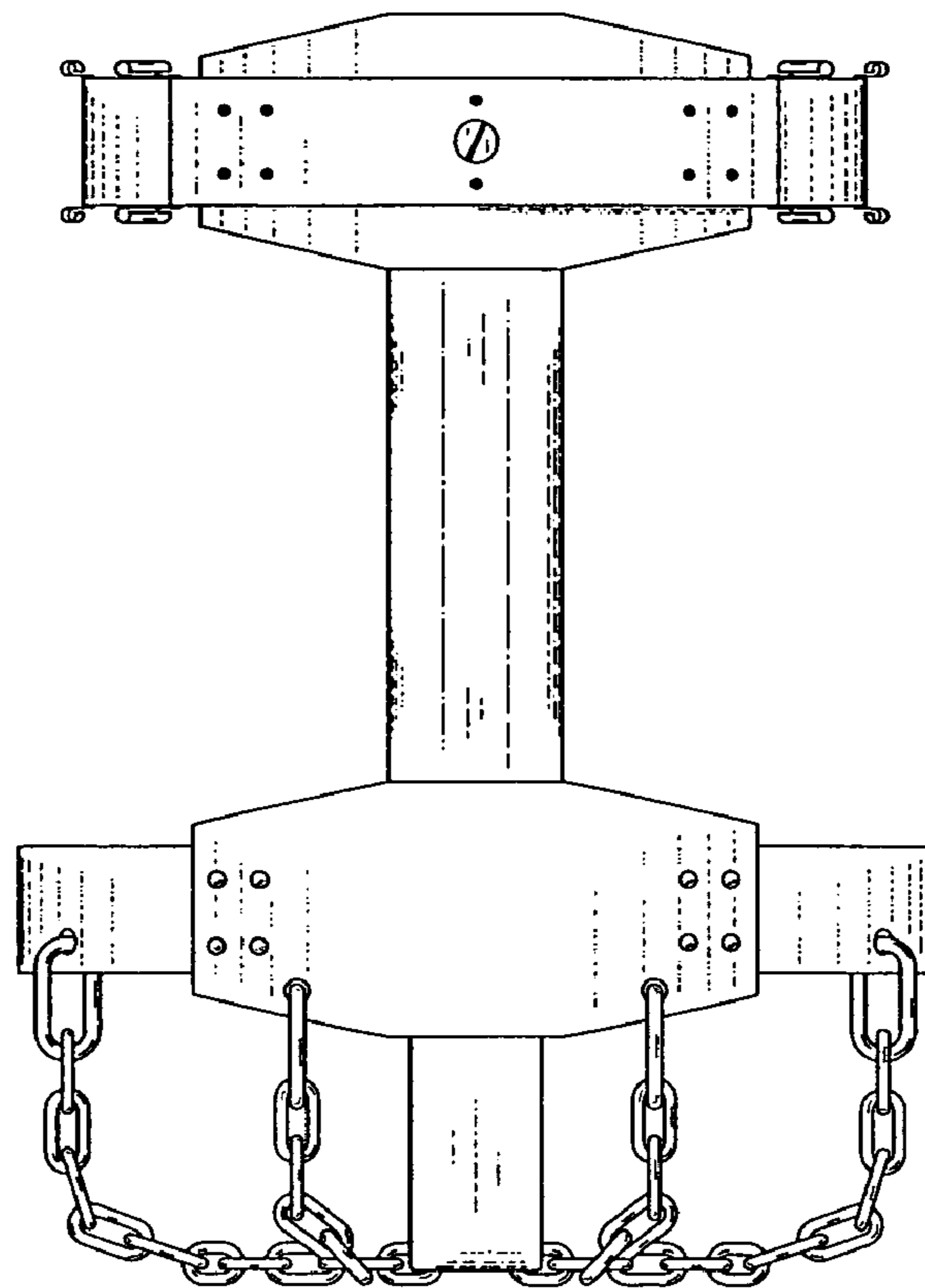


Fig. 4



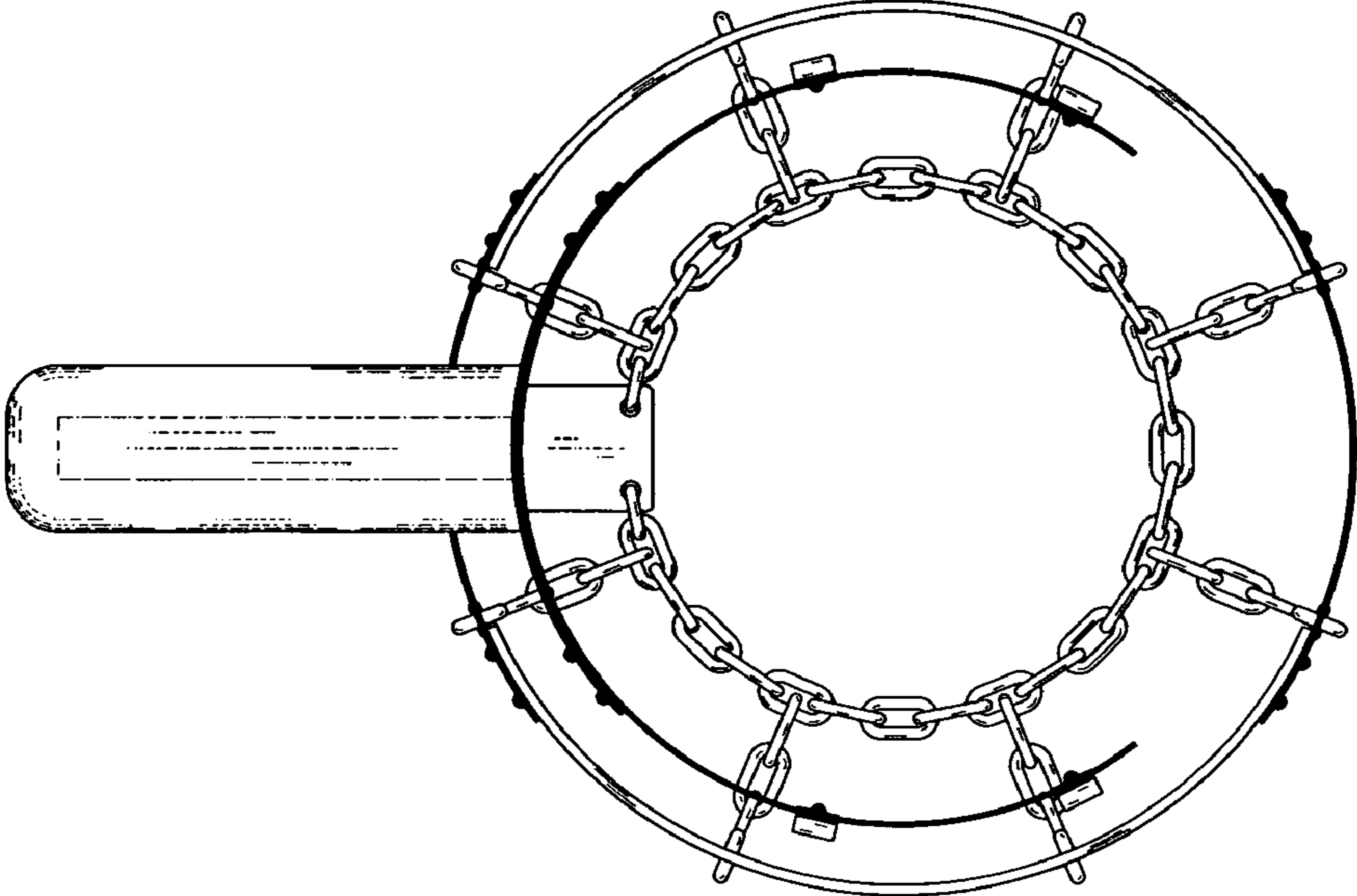


Fig. 5

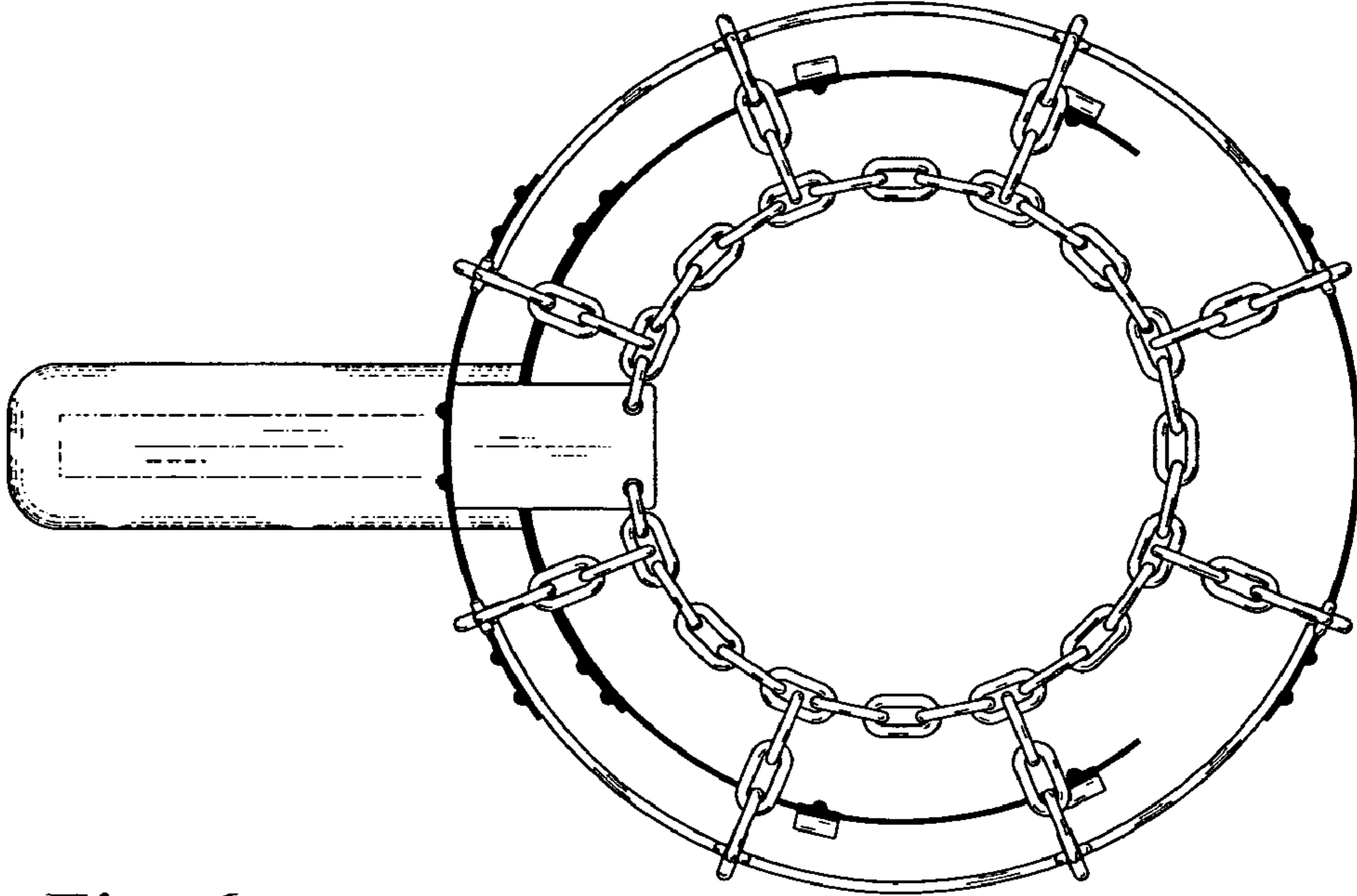


Fig. 6