



US00D609526S

(12) **United States Design Patent**
Tuttle

(10) **Patent No.:** **US D609,526 S**

(45) **Date of Patent:** **** Feb. 9, 2010**

(54) **DUMBBELL-SHAPED DRINK PITCHER WITH INTEGRAL STRAW**

(75) Inventor: **Roger Tuttle**, New Braunfels, TX (US)

(73) Assignee: **Great American Products**, New Braunfels, TX (US)

(**) Term: **14 Years**

(21) Appl. No.: **29/315,831**

(22) Filed: **Jul. 28, 2009**

(51) **LOC (9) Cl.** **07-01**

(52) **U.S. Cl.** **D7/507; D7/515; D21/681; D9/668**

(58) **Field of Classification Search** D7/533, D7/536, 513, 515, 507, 523, 514; D21/681; D9/668; 220/703, 705, 713, 669, 729, 23.86; 482/107, 108

See application file for complete search history.

(56) **References Cited**

U.S. PATENT DOCUMENTS

5,407,413	A *	4/1995	Kupferman	482/106
D414,655	S *	10/1999	Schwarz	D7/514
D456,705	S *	5/2002	Vijn	D9/668
D465,151	S *	11/2002	Mixon	D9/668
D489,001	S *	4/2004	Martin	D9/668
6,872,173	B2 *	3/2005	Krull	482/108
7,137,932	B2 *	11/2006	Doudiet	482/107

7,377,885	B2 *	5/2008	Doudiet	482/107
D575,107	S *	8/2008	Martin	D7/515
D584,161	S *	1/2009	Barker	D9/668
7,549,952	B2 *	6/2009	Towley et al.	482/108
D596,492	S *	7/2009	Safdieh	D9/668
7,588,520	B2 *	9/2009	Nalley	482/107
2007/0173386	A1 *	7/2007	Wang	482/107

* cited by examiner

Primary Examiner—Marrienne Pandozzi

(74) *Attorney, Agent, or Firm*—Christopher L. Makay

(57) **CLAIM**

The ornamental design for a dumbbell-shaped drink pitcher with integral straw, as shown and described.

DESCRIPTION

FIG. 1 is a top view of the dumbbell-shaped drink pitcher with integral straw according to my new design;

FIG. 2 is a front view thereof;

FIG. 3 is a right side view thereof;

FIG. 4 is a rear view thereof;

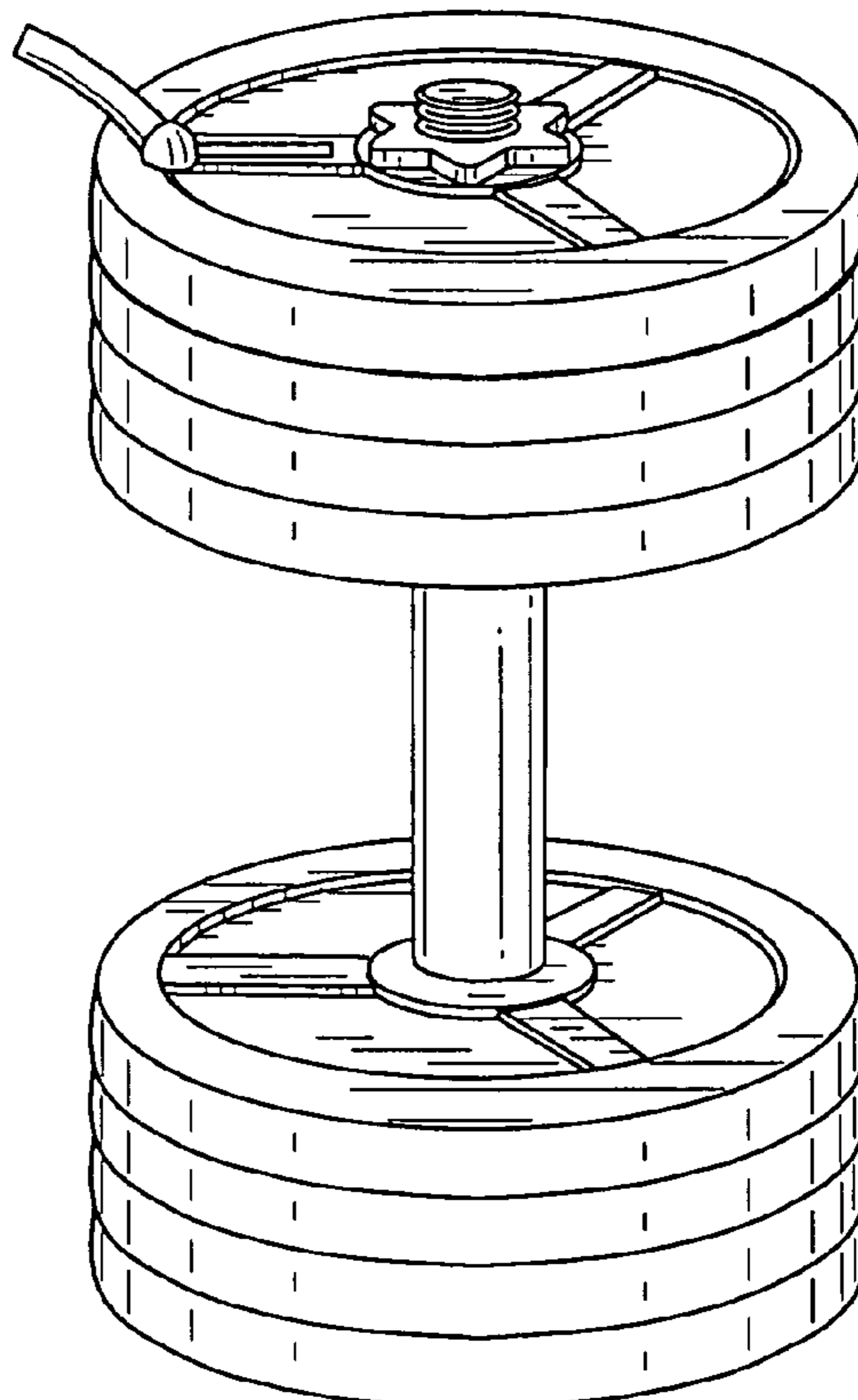
FIG. 5 is a left side view thereof;

FIG. 6 is a bottom view thereof.

FIG. 7 is a perspective view thereof; and,

FIG. 8 is a perspective view of the dumbbell-shaped drink pitcher with integral straw with its cap removed.

1 Claim, 3 Drawing Sheets



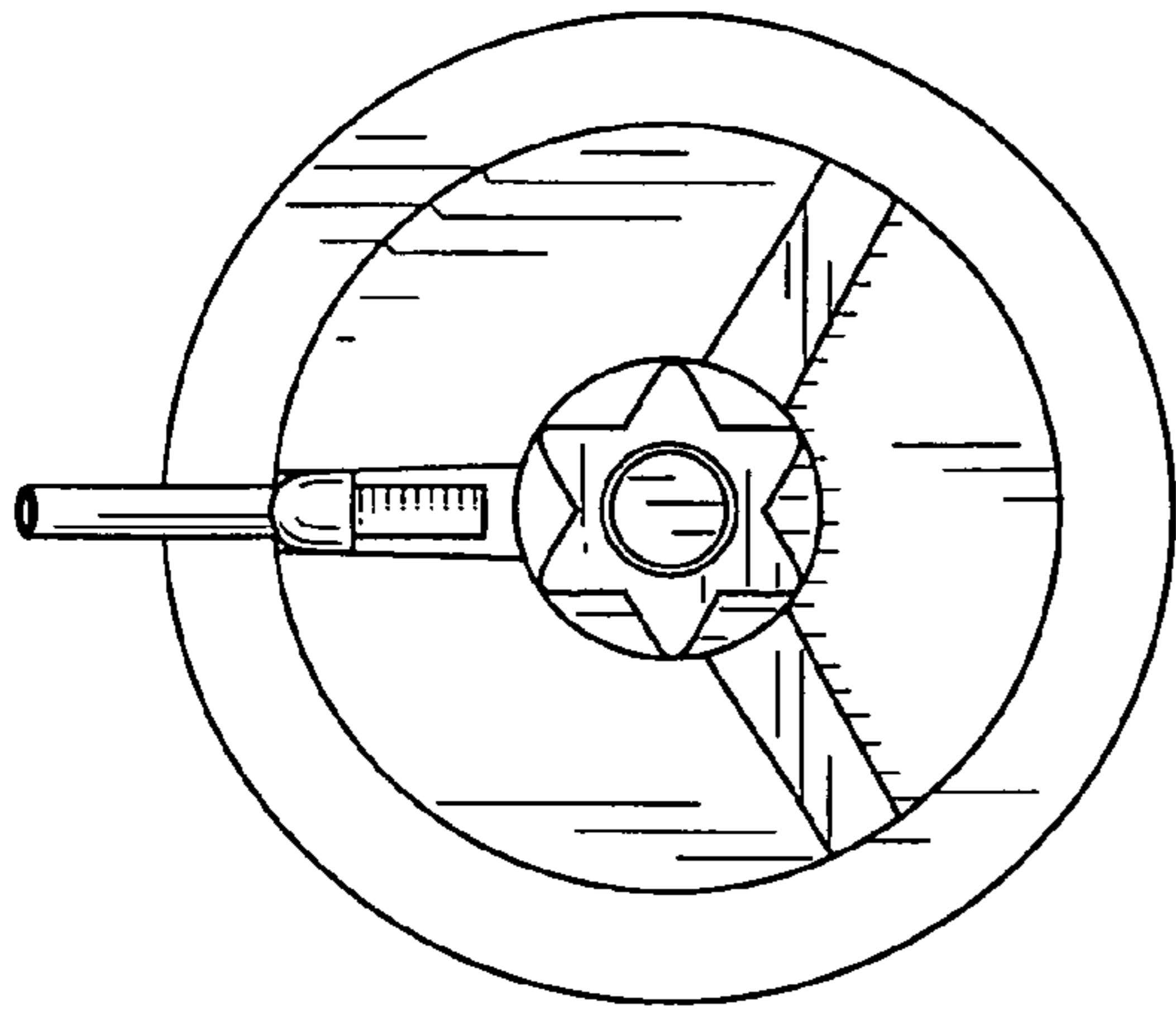


Fig. 1

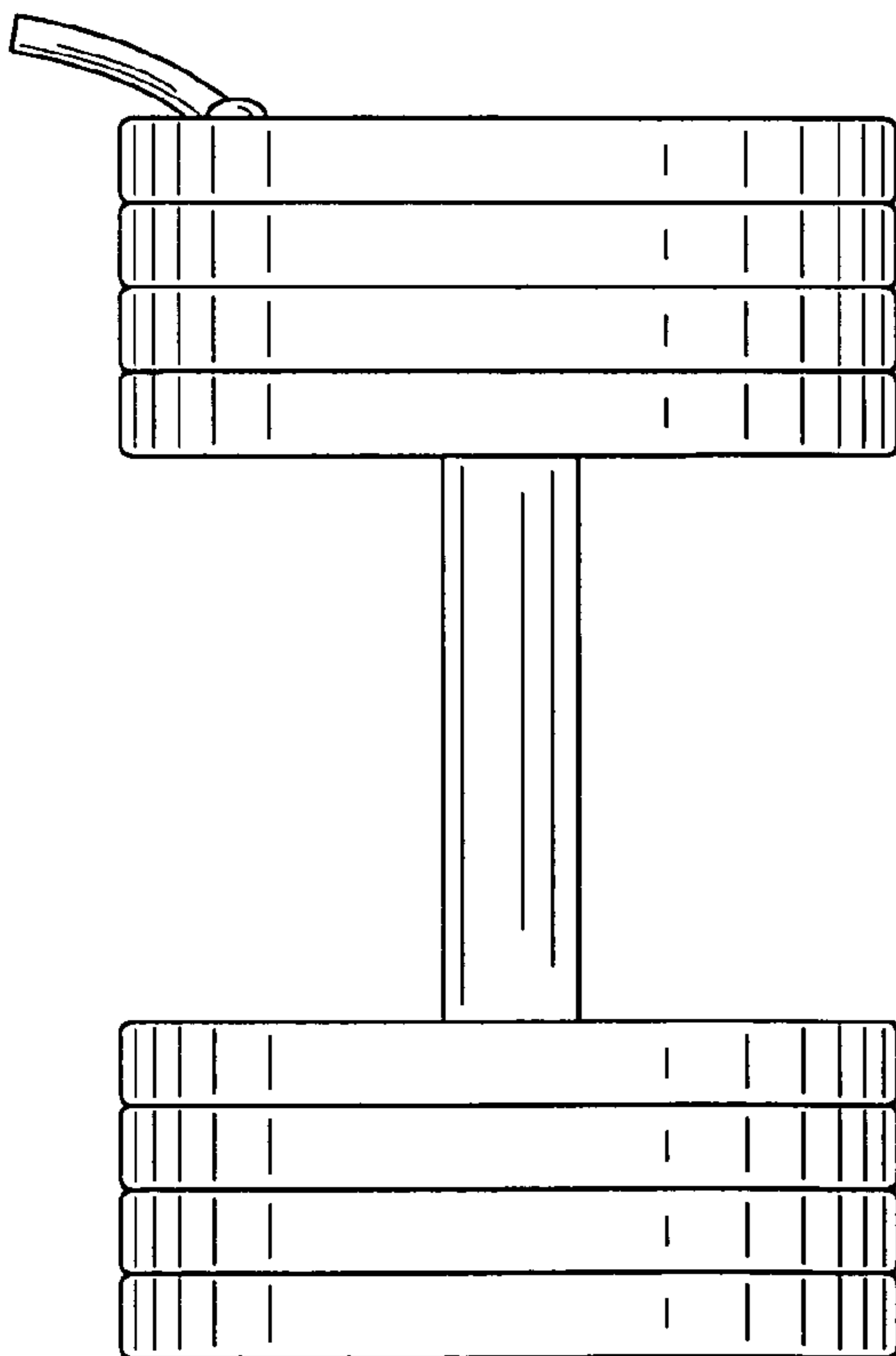


Fig. 2

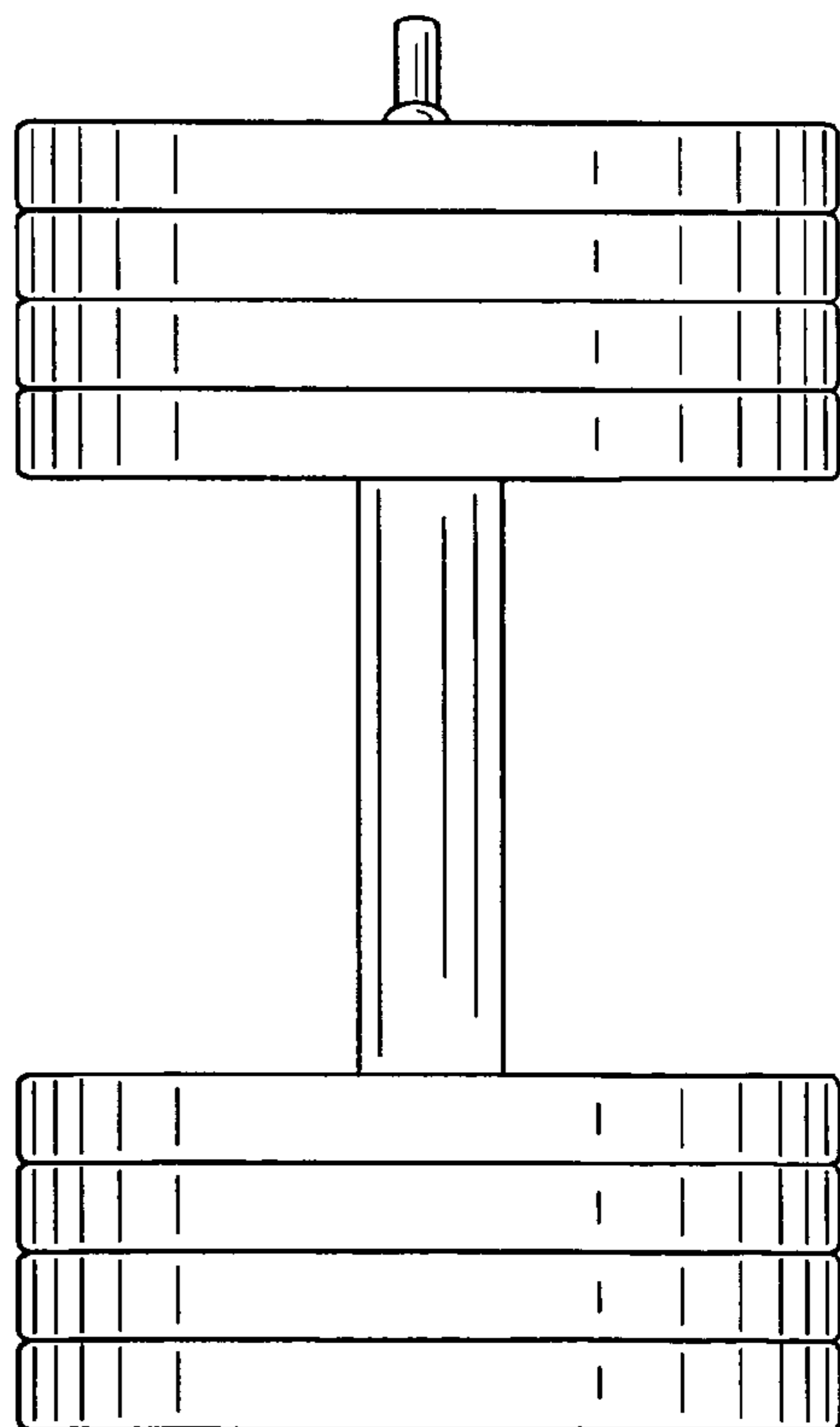


Fig. 3

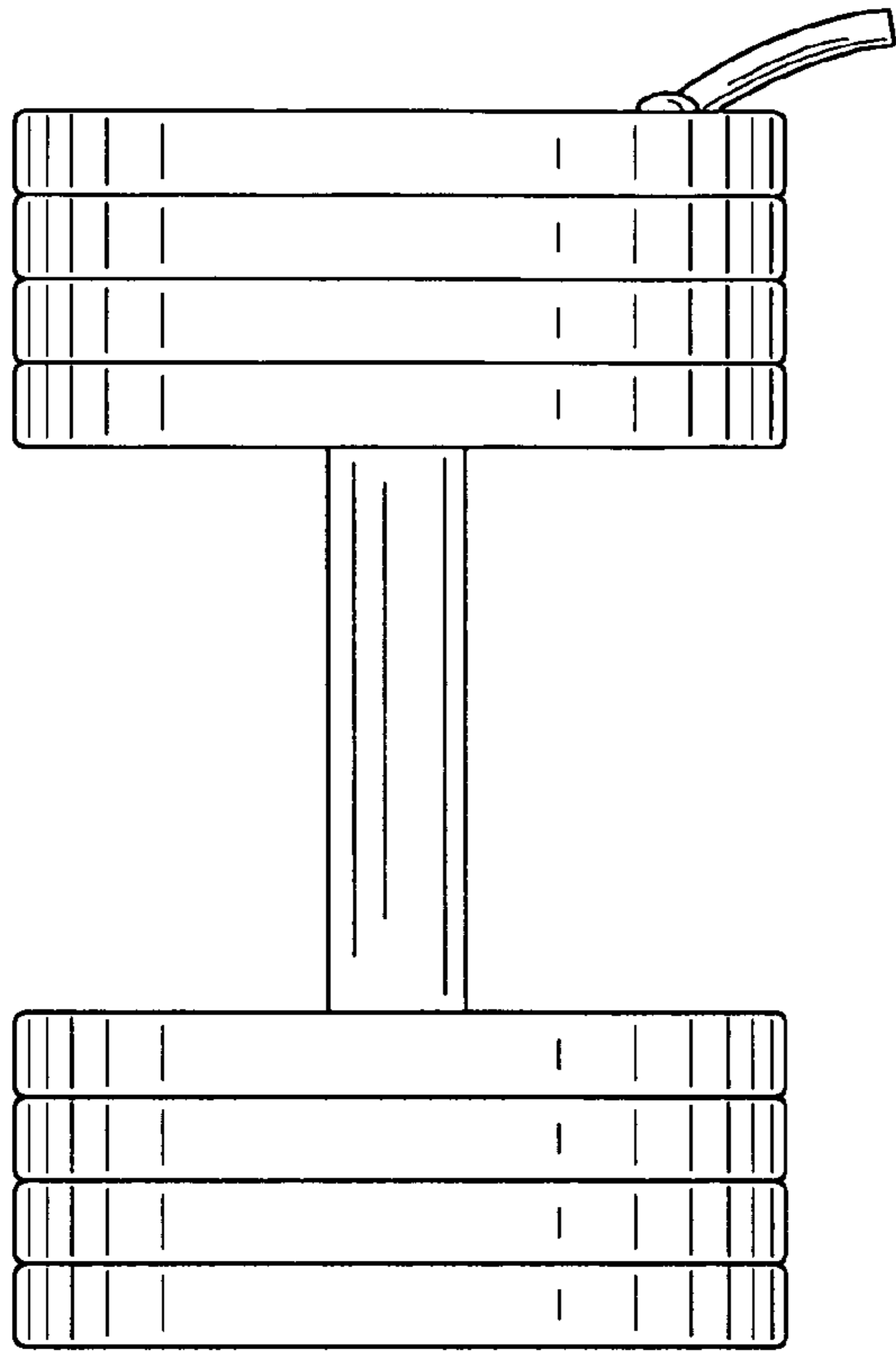


Fig. 4

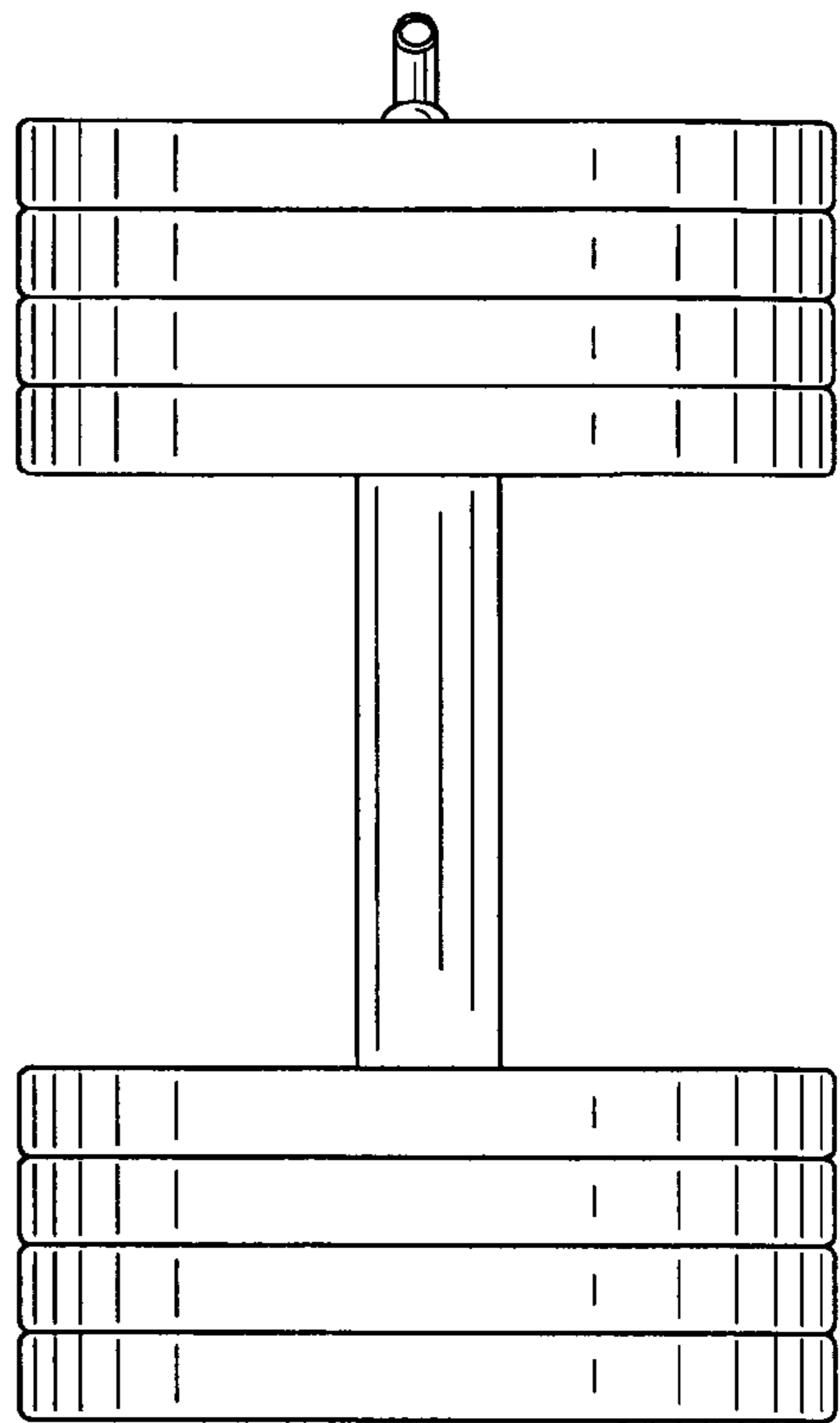


Fig. 5

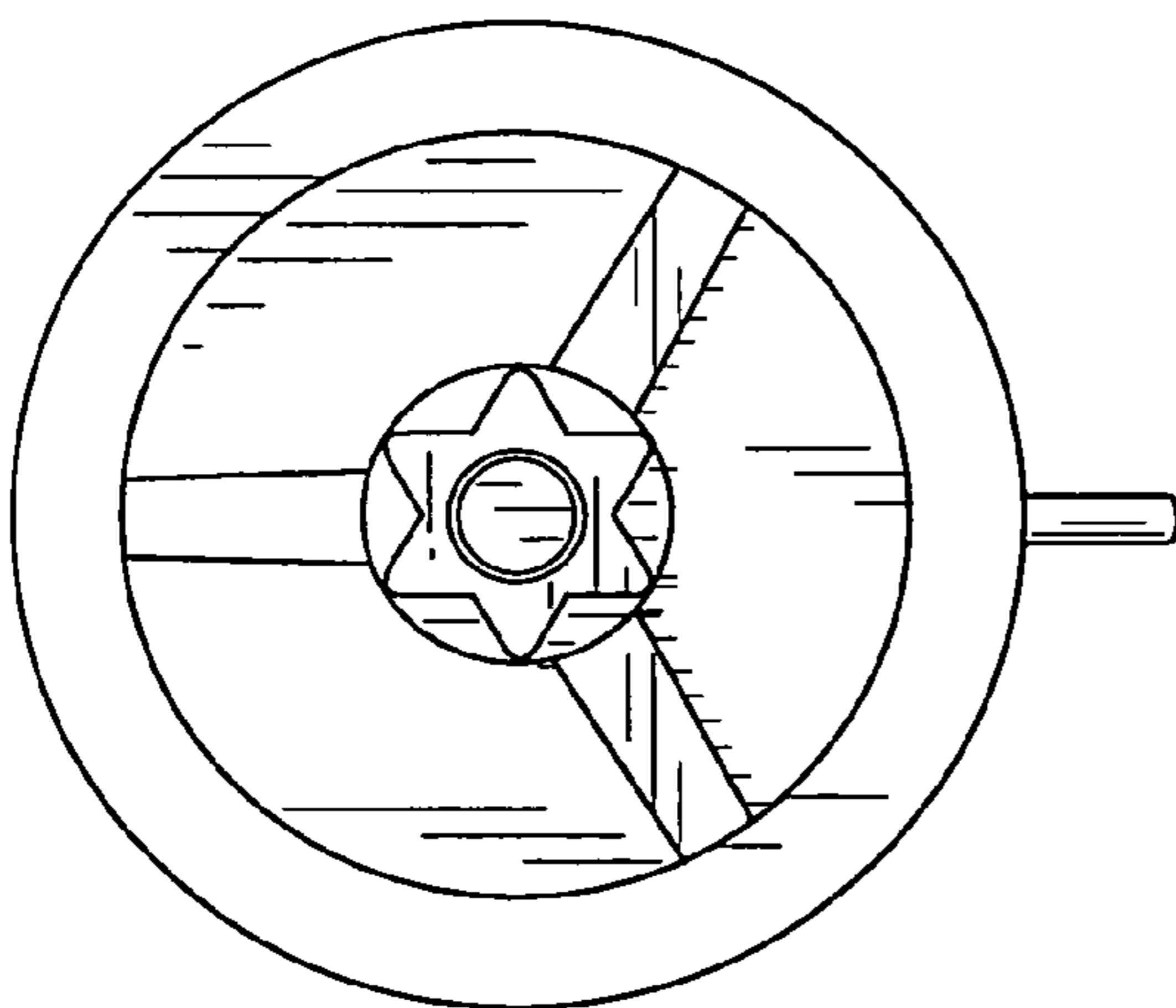


Fig. 6

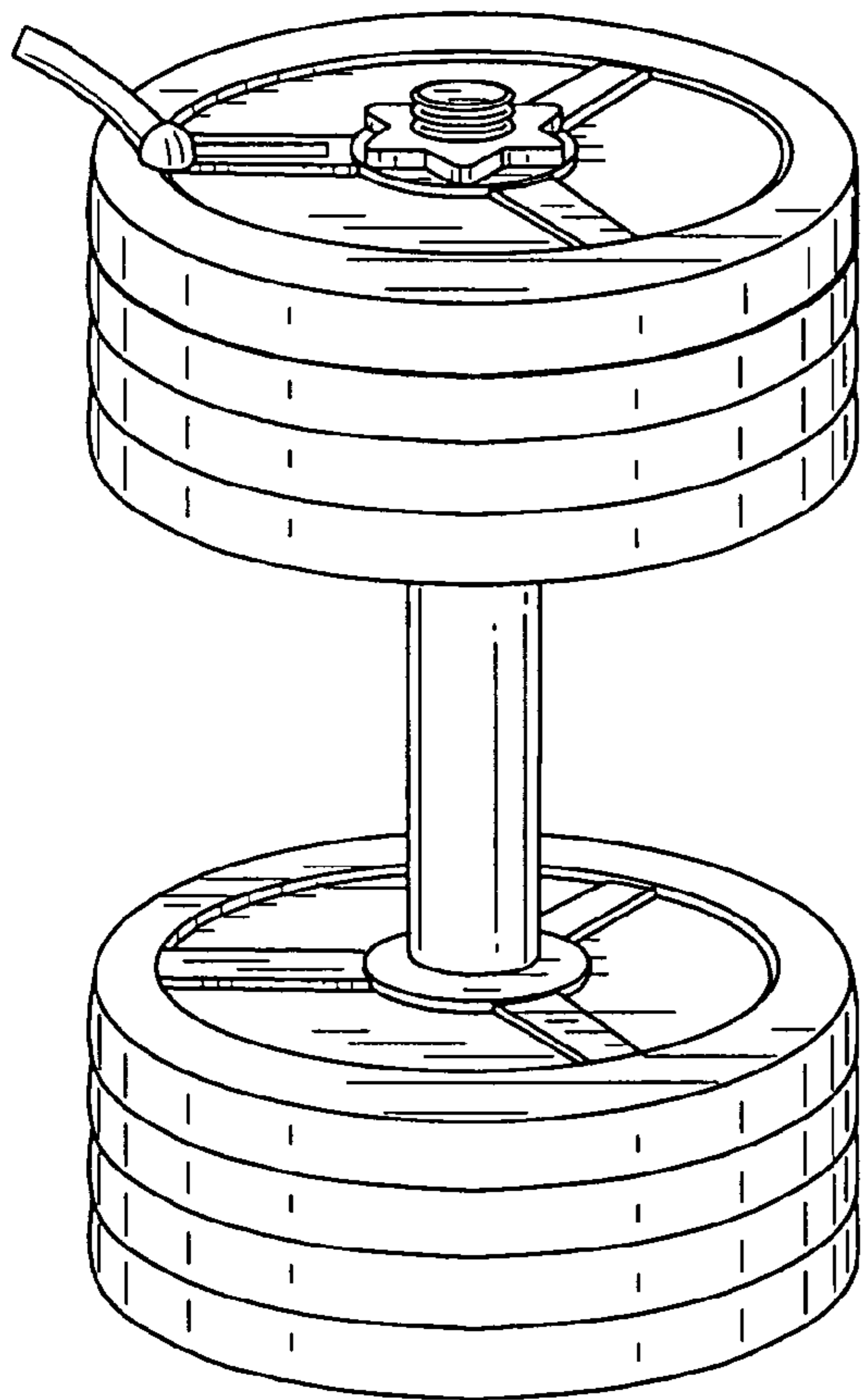


Fig. 7

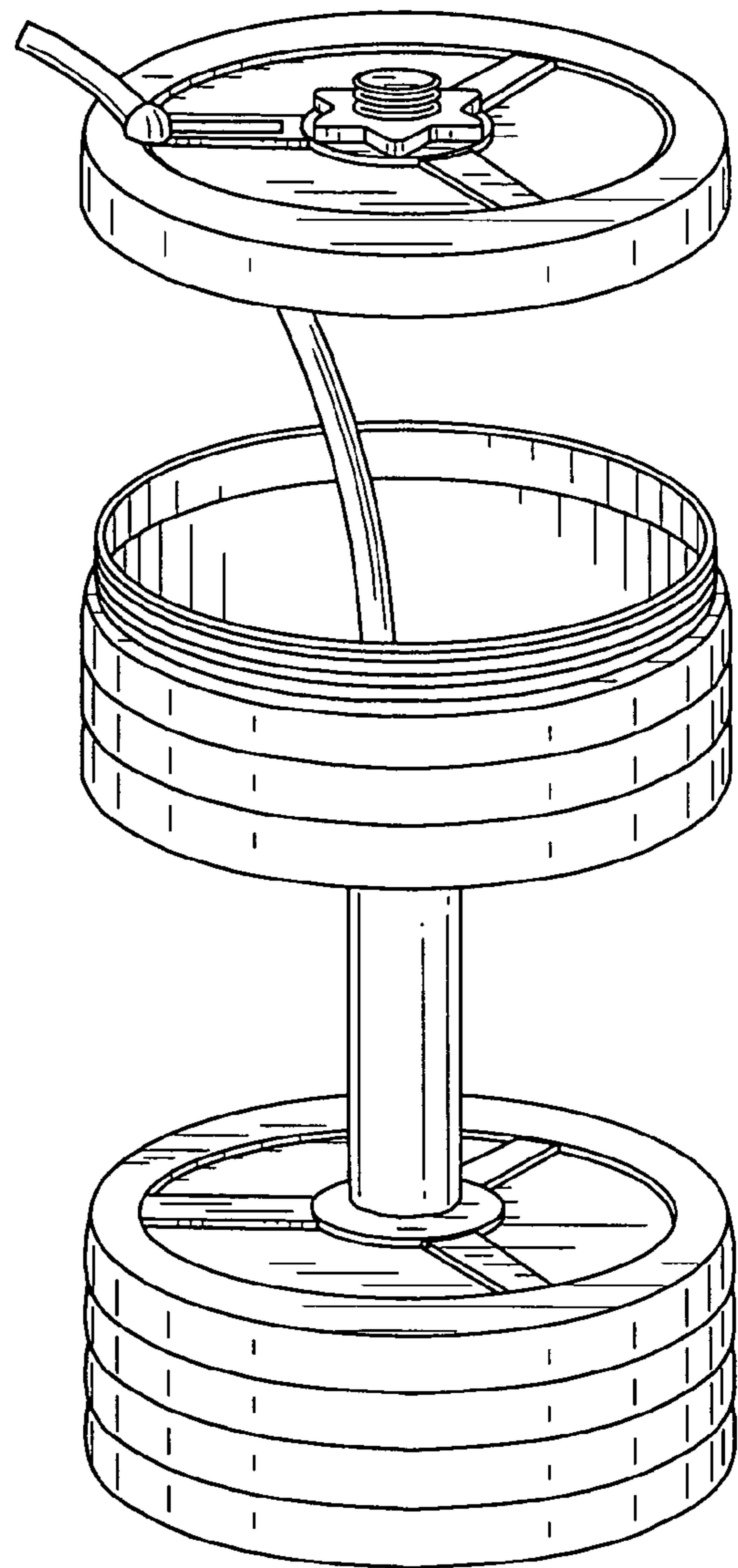


Fig. 8