

US00D609523S

(12) **United States Design Patent**
Mai

(10) **Patent No.:** **US D609,523 S**

(45) **Date of Patent:** **** Feb. 9, 2010**

(54) **MICROWAVE STEAMER**

(76) Inventor: **Trong Truong Hoang Mai**, 2652 Melvin Ave., St. Louis, MO (US) 63144

(**) Term: **14 Years**

(21) Appl. No.: **29/342,106**

(22) Filed: **Aug. 18, 2009**

(51) **LOC (9) Cl.** **07-02**

(52) **U.S. Cl.** **D7/354**

(58) **Field of Classification Search** D7/323,
D7/330–331, 339, 347, 350–367, 378–379,
D7/383–384, 391, 409, 542–545, 665, 667;
99/324–325, 329 R, 330–341, 403, 407, 412–413,
99/428, 430, 450; 126/369; 219/432–433,
219/438–441, 620–622, 725–730; 220/203.1,
220/203.7, 303, 525, 573.1–574, 769, 912;
392/309; 426/438, 441, 523

See application file for complete search history.

(56) **References Cited**

U.S. PATENT DOCUMENTS

1,762,014	A *	6/1930	Fischer	392/309
D148,627	S *	2/1948	La Mont	D7/360
2,932,293	A *	4/1960	Rassieur	126/369
4,317,017	A *	2/1982	Bowen	219/729
D347,142	S *	5/1994	Falvo	D7/391
D418,009	S *	12/1999	Banc	D7/360
D438,754	S *	3/2001	Mendelson	D7/391
D578,336	S *	10/2008	Kim	D7/354

* cited by examiner

Primary Examiner—Caron Veynar

Assistant Examiner—Ricky Pham

(74) *Attorney, Agent, or Firm*—QuickPatents, Inc.; Kevin Prince

(57) **CLAIM**

I claim the ornamental design for a microwave steamer, as shown and described.

DESCRIPTION

FIG. 1 is a perspective view of a microwave steamer, showing my new design;

FIG. 2 is an exploded perspective view thereof from above;

FIG. 3 is an exploded perspective view thereof from below;

FIG. 4 is an exploded front elevational view thereof, the exploded rear elevational view being a mirror image thereof,

FIG. 5 is an exploded left-side elevational view thereof, the exploded right-side elevational view being a mirror image thereof;

FIG. 6 is a top plan view of a knob thereof; shown separately for ease of illustration;

FIG. 7 is a bottom plan view thereof;

FIG. 8 is a top plan view of a lid thereof; shown separately for ease of illustration;

FIG. 9 is a bottom plan view thereof;

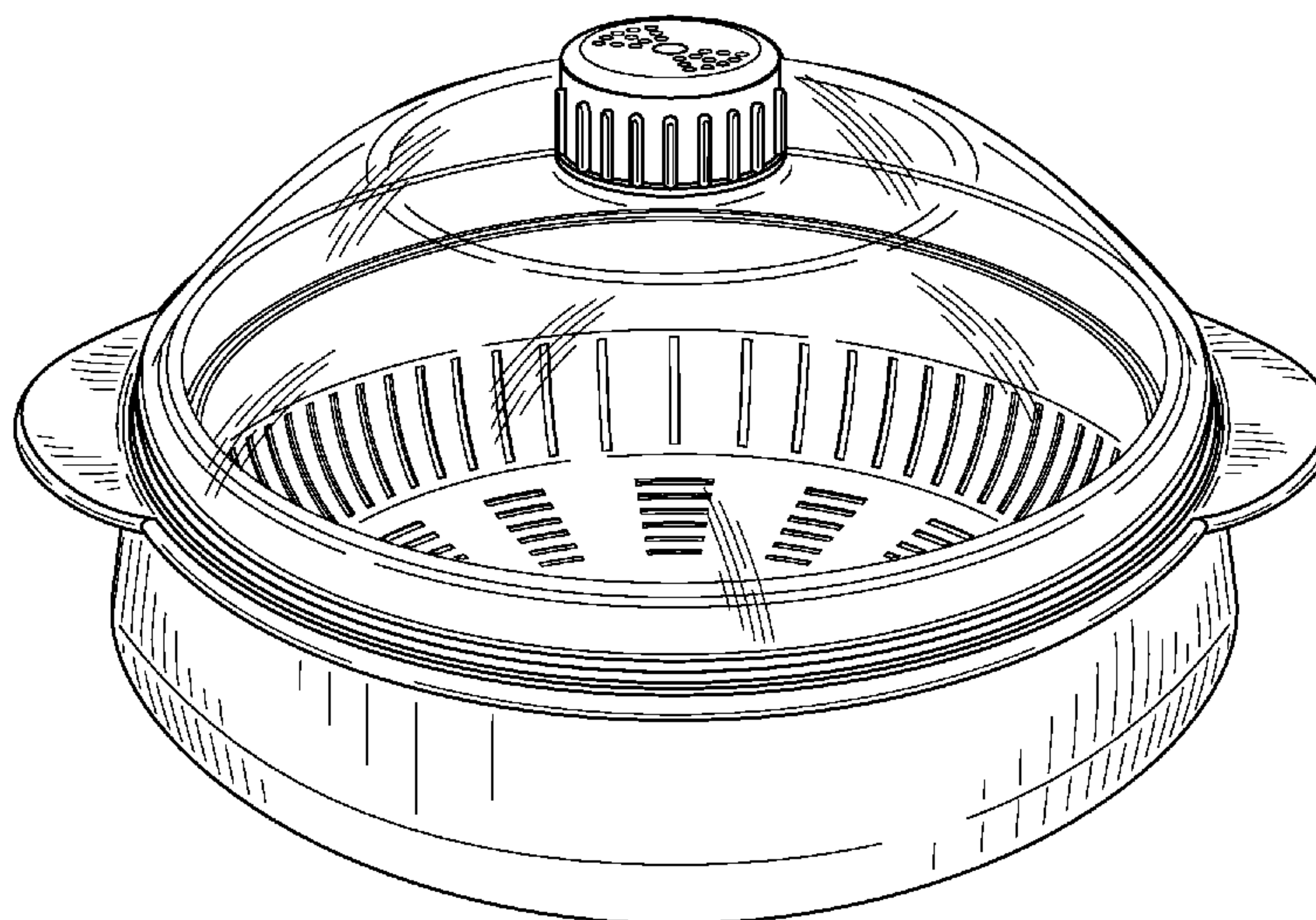
FIG. 10 is a top plan view of a tray thereof; shown separately for ease of illustration;

FIG. 11 is a bottom plan view thereof;

FIG. 12 is a top plan view of a base thereof; shown separately for ease of illustration; and,

FIG. 13 is a bottom plan view thereof.

1 Claim, 9 Drawing Sheets



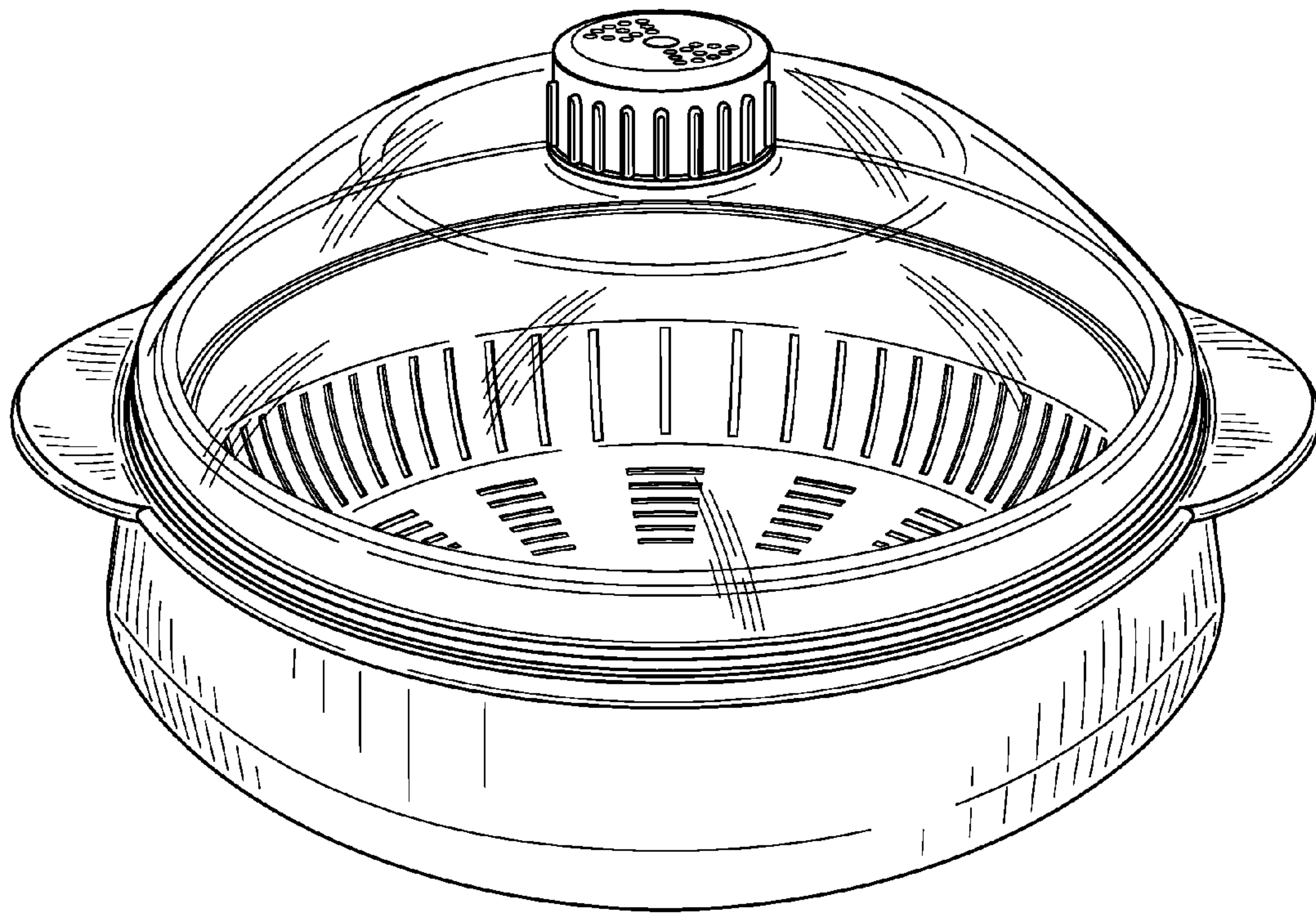


FIG. 1

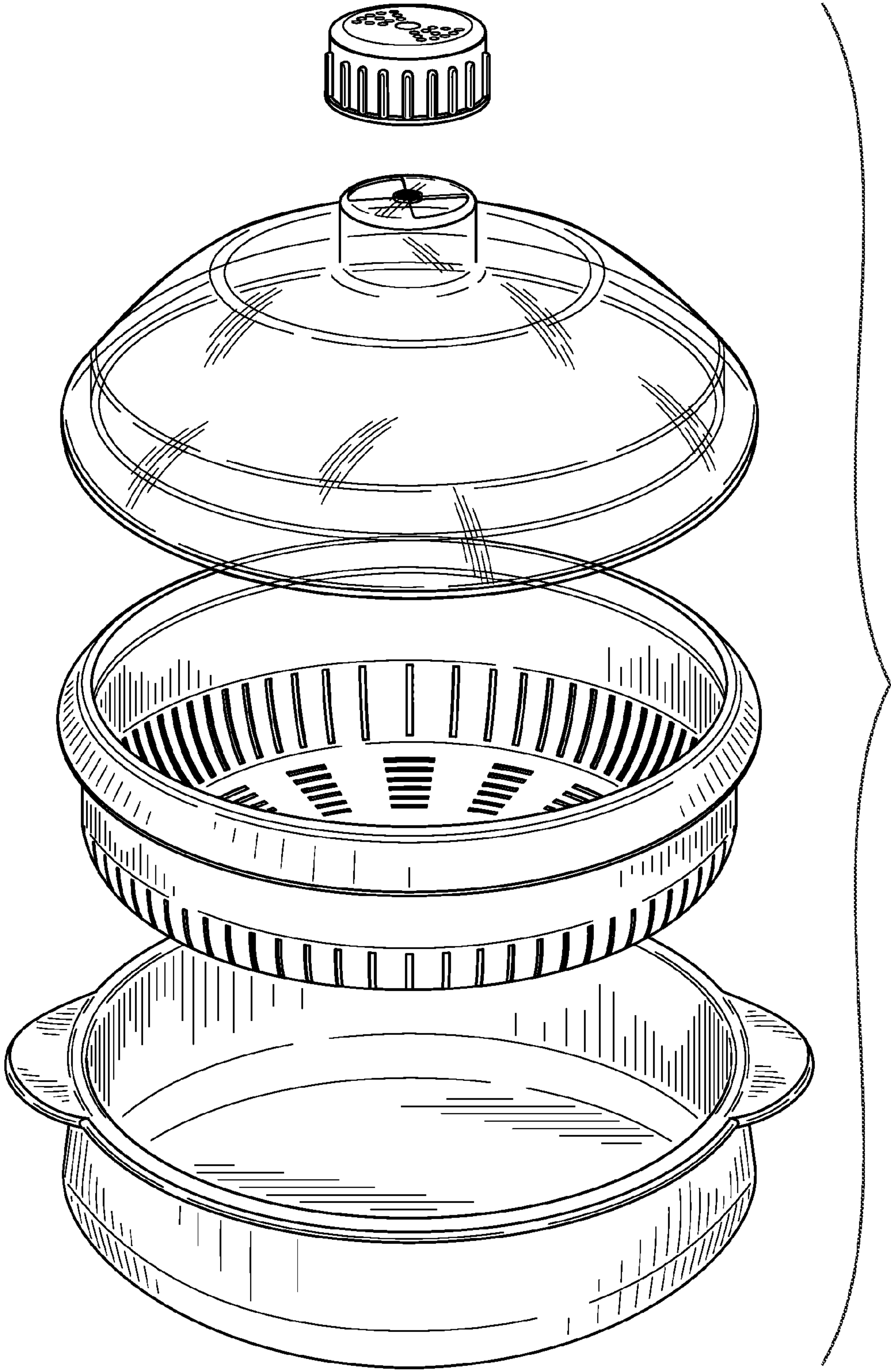


FIG. 2

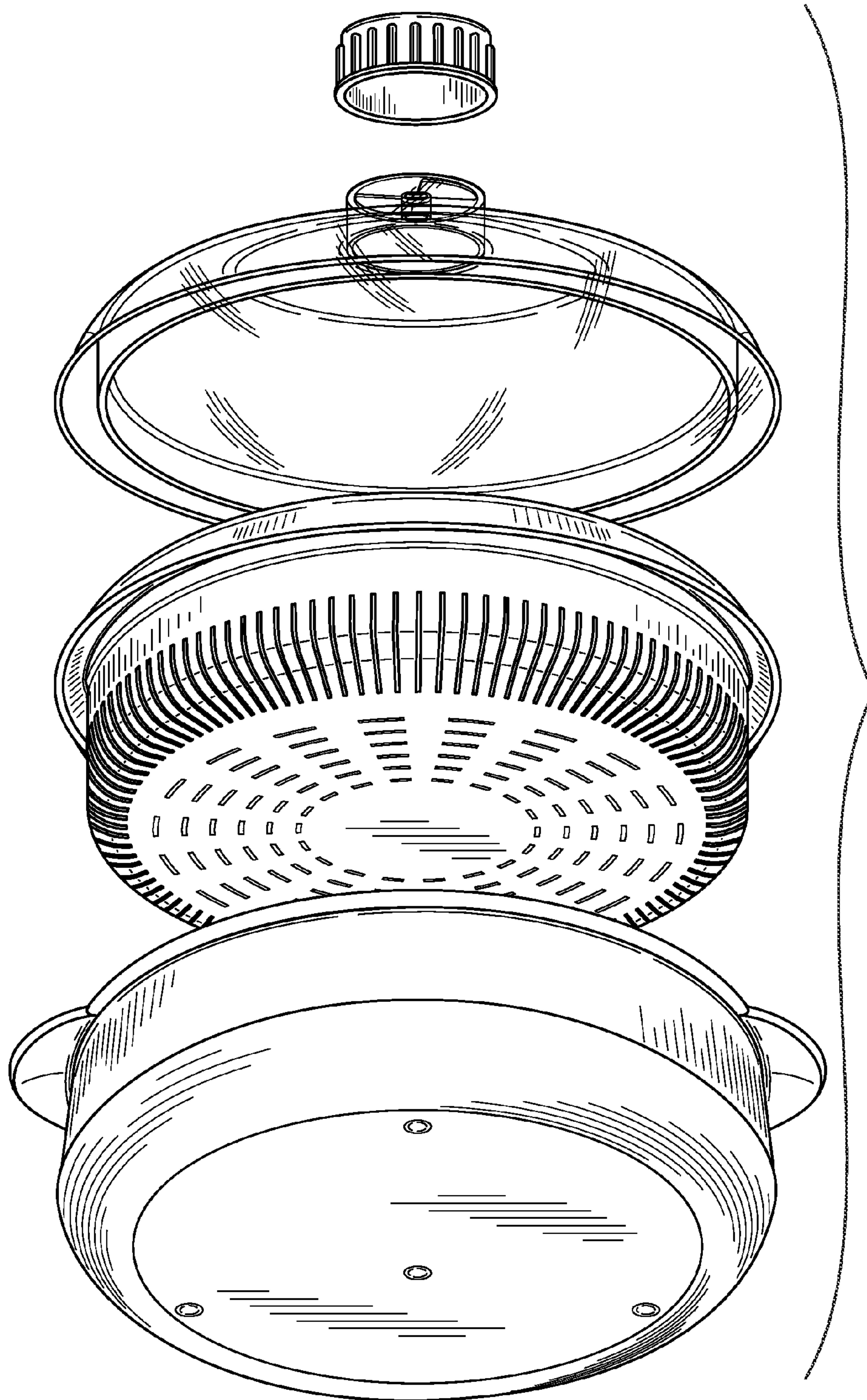


FIG. 3

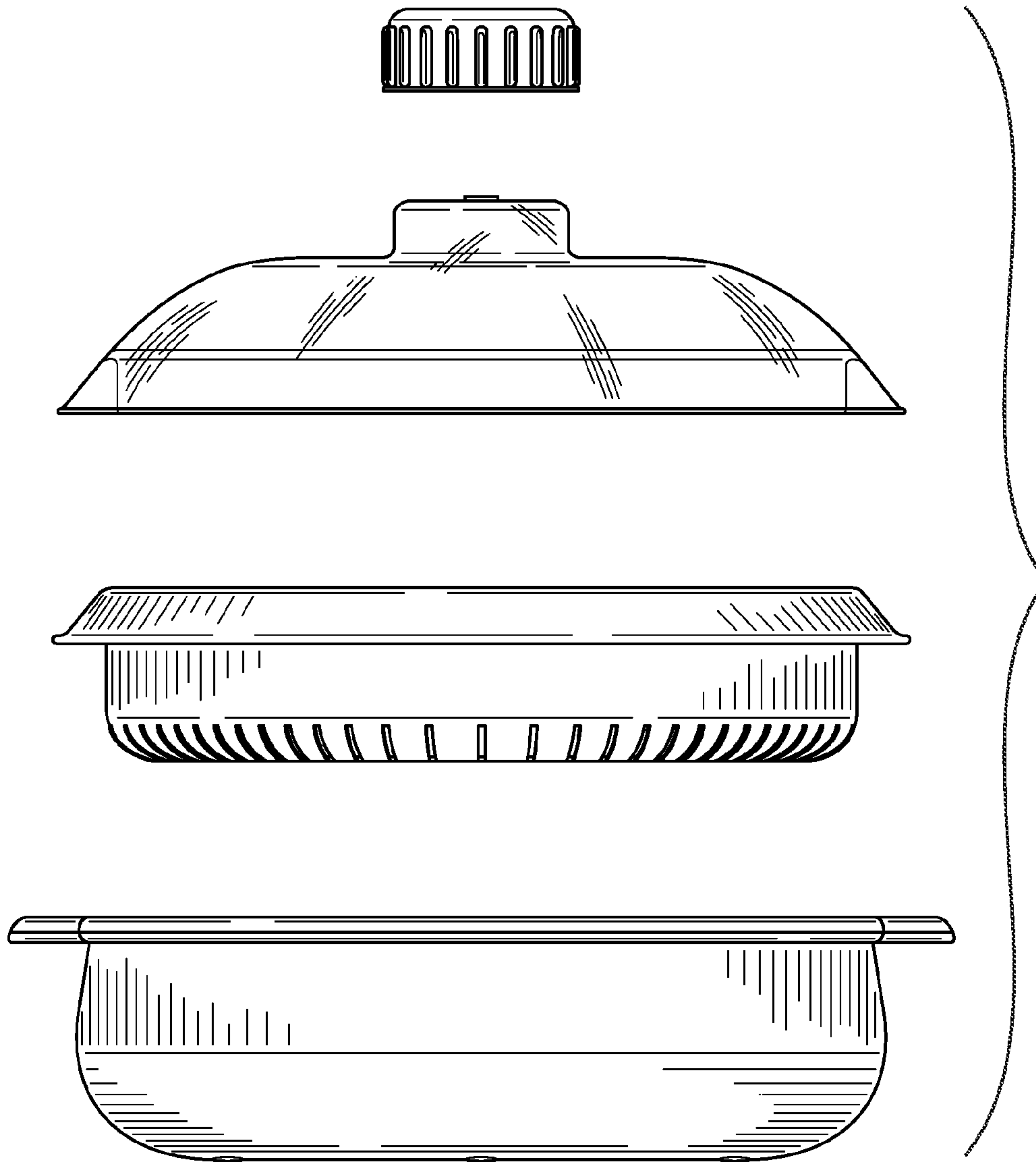


FIG. 4

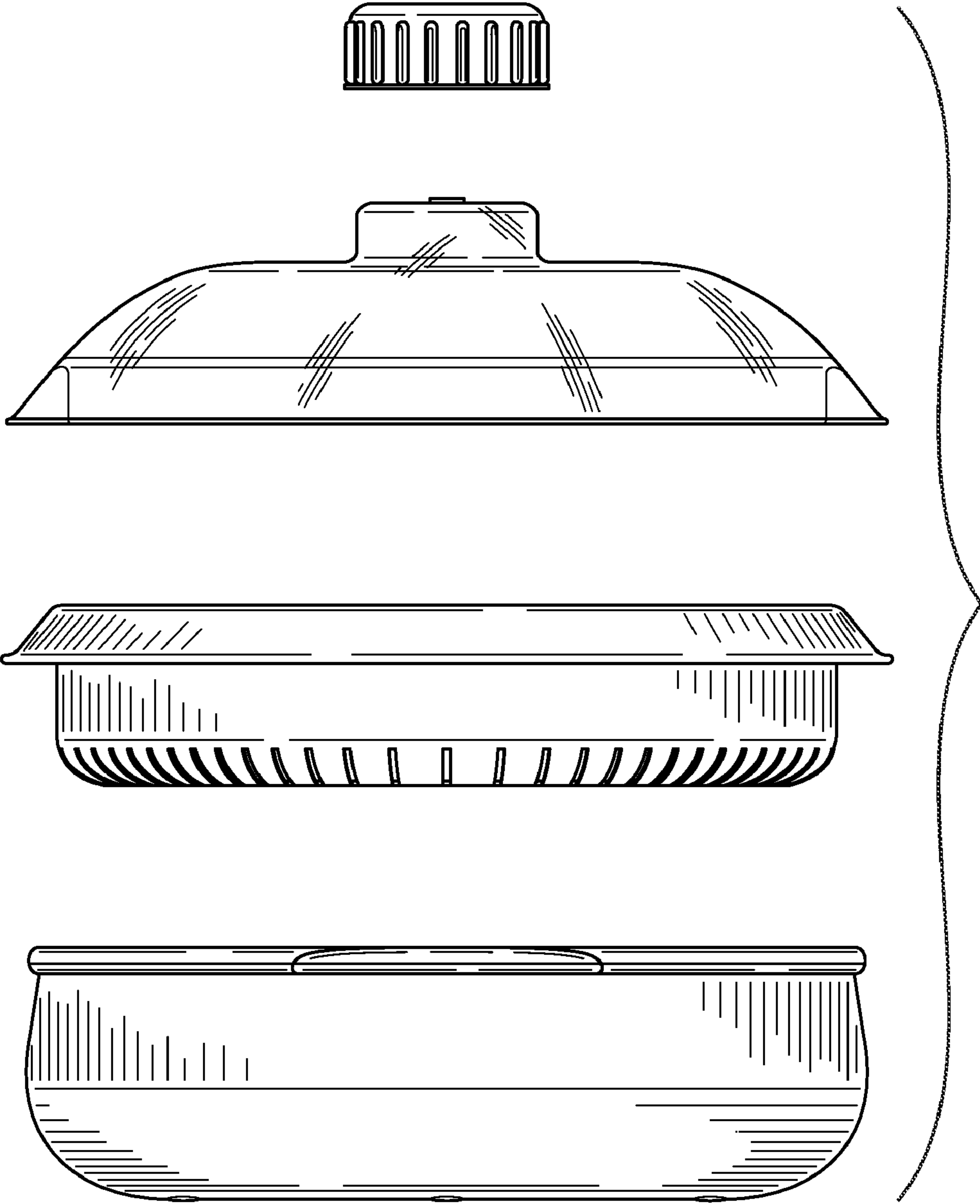


FIG. 5

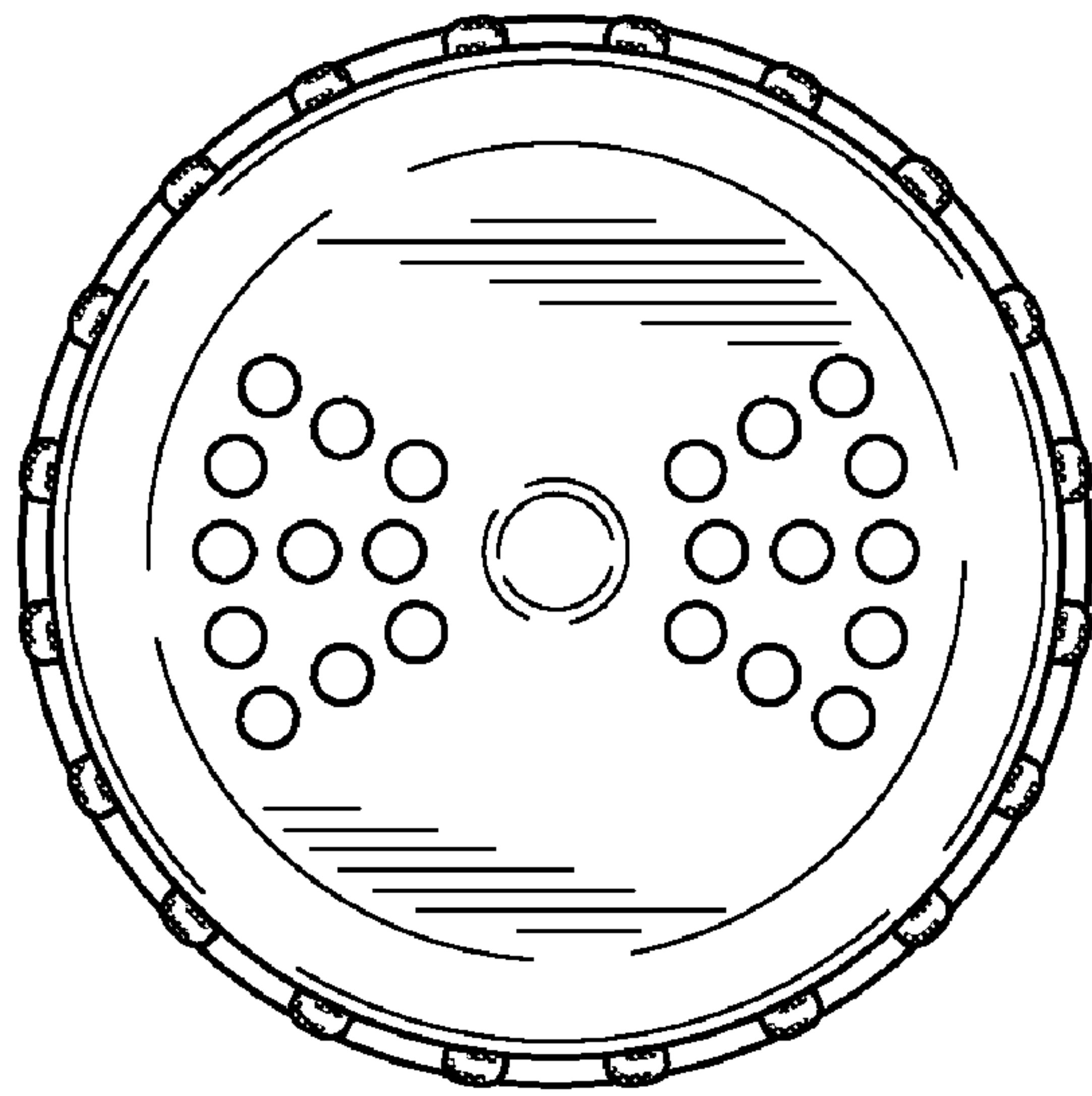


FIG. 6

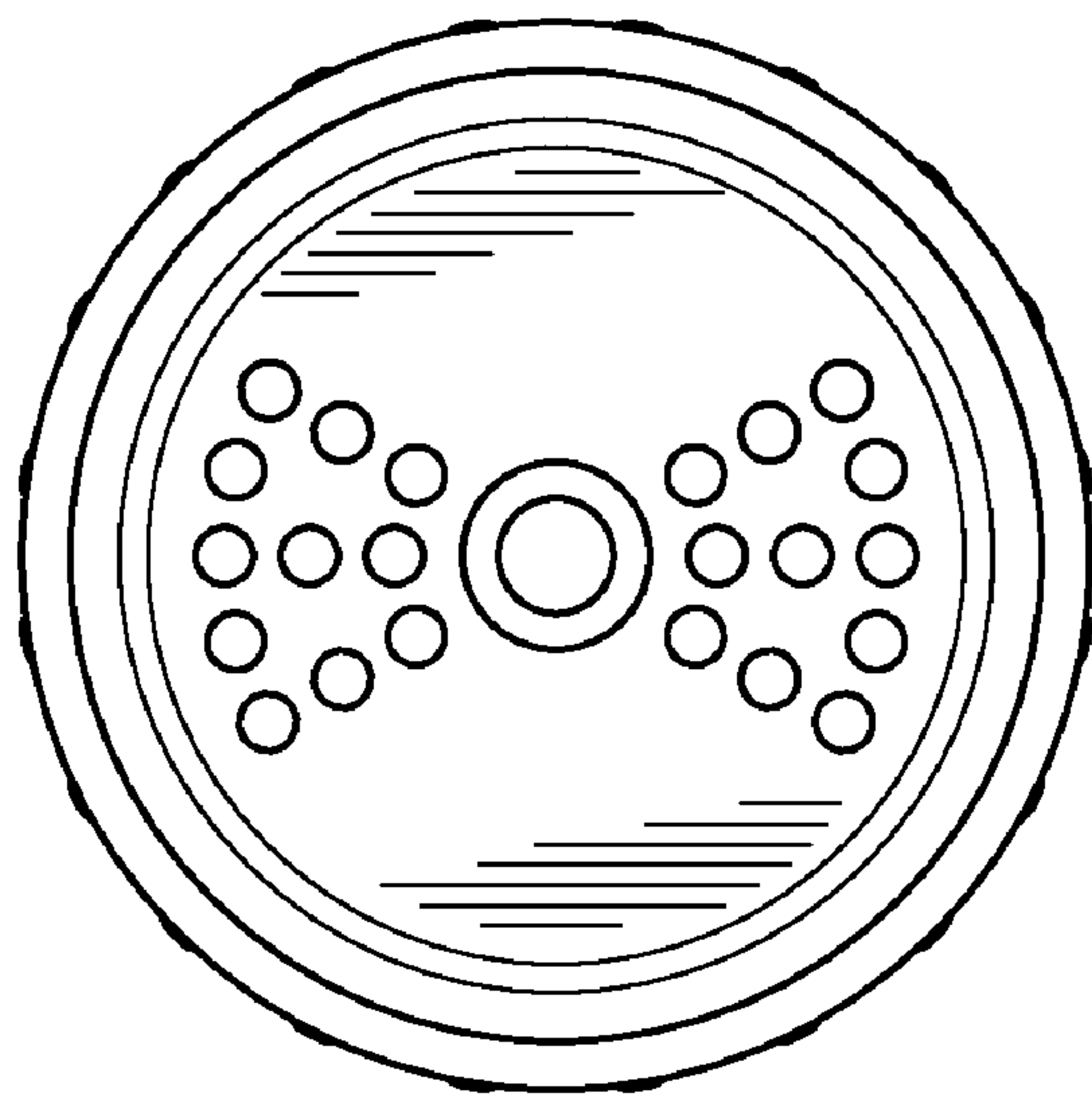


FIG. 7

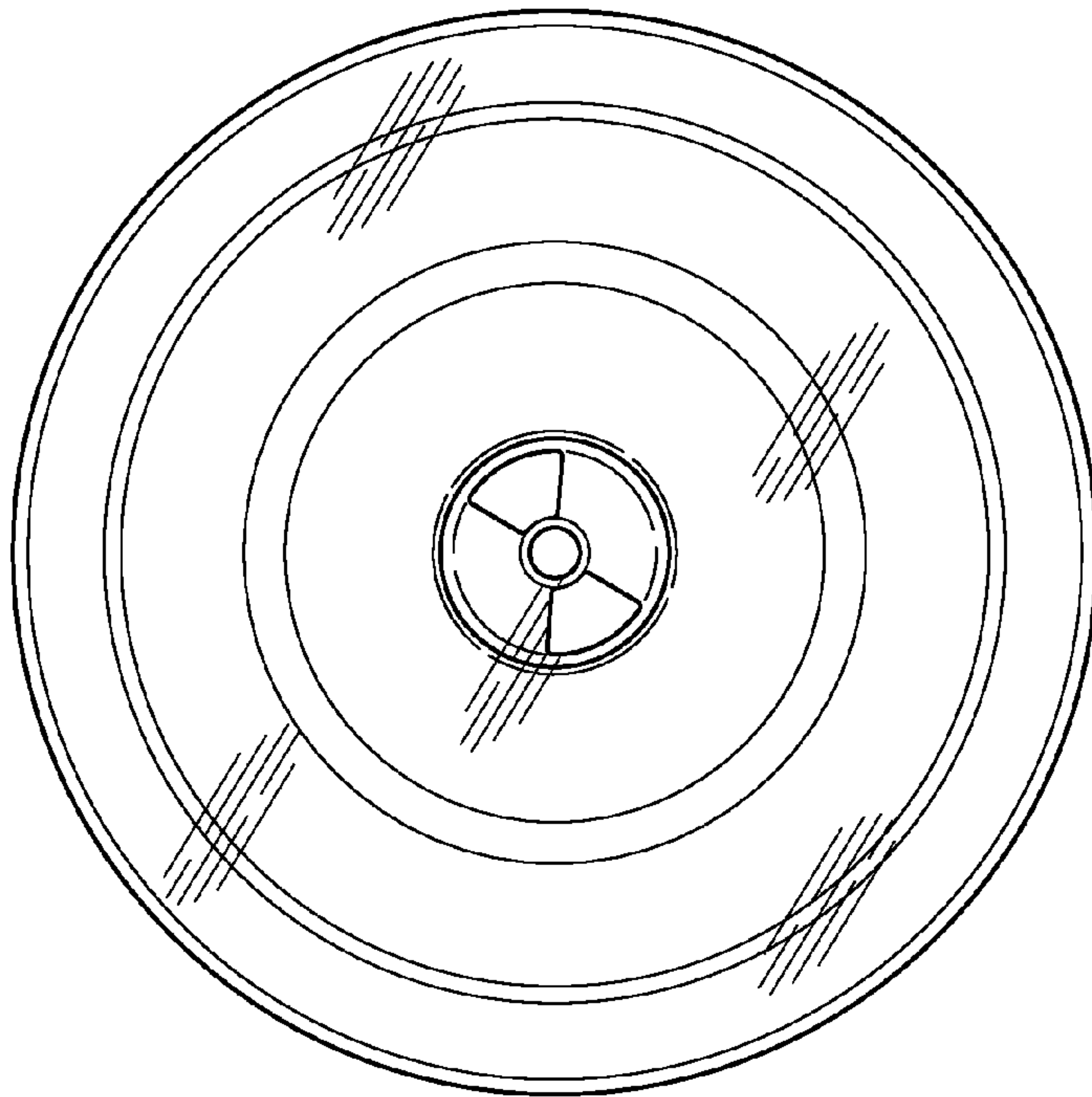


FIG. 8

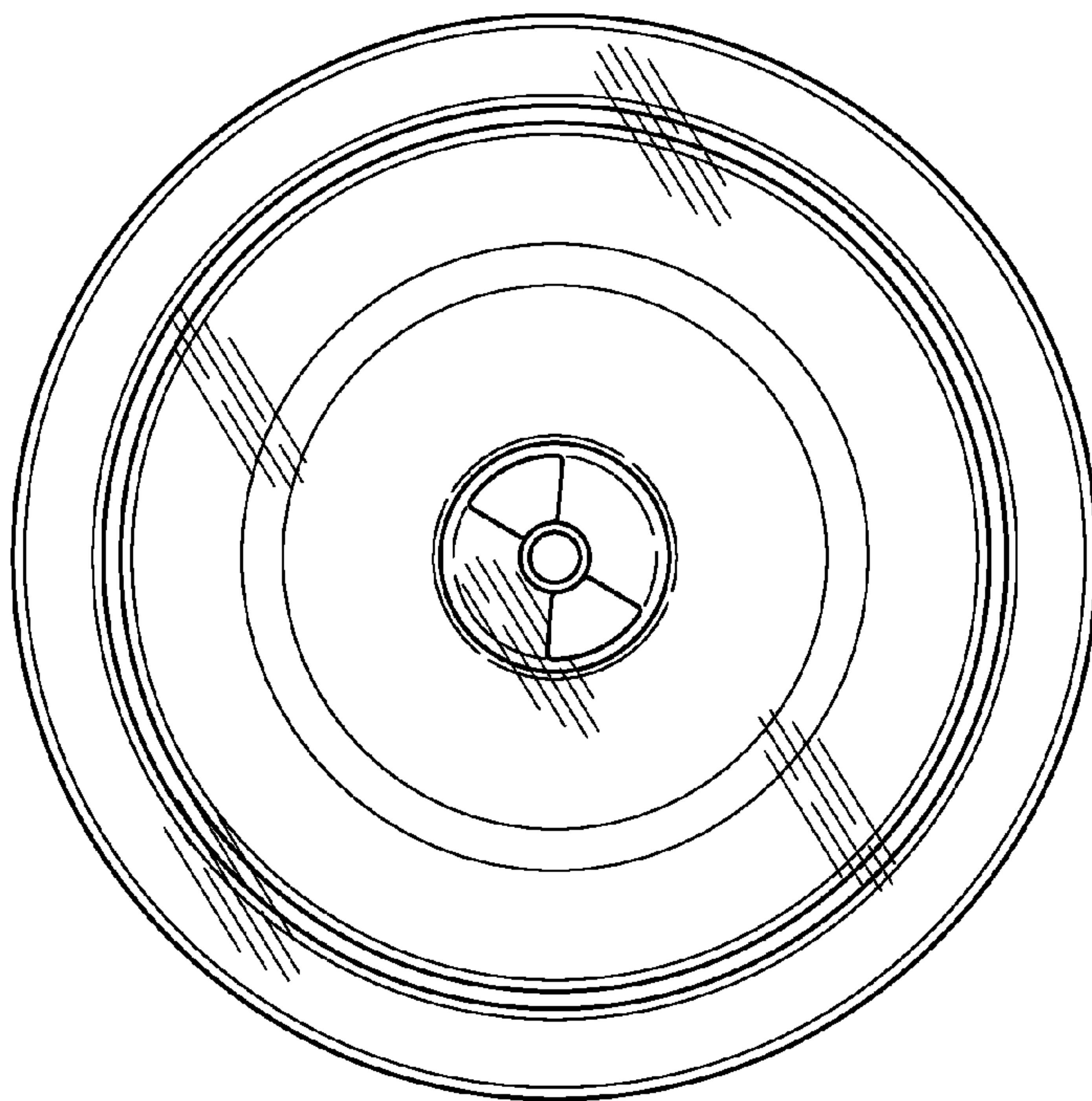


FIG. 9

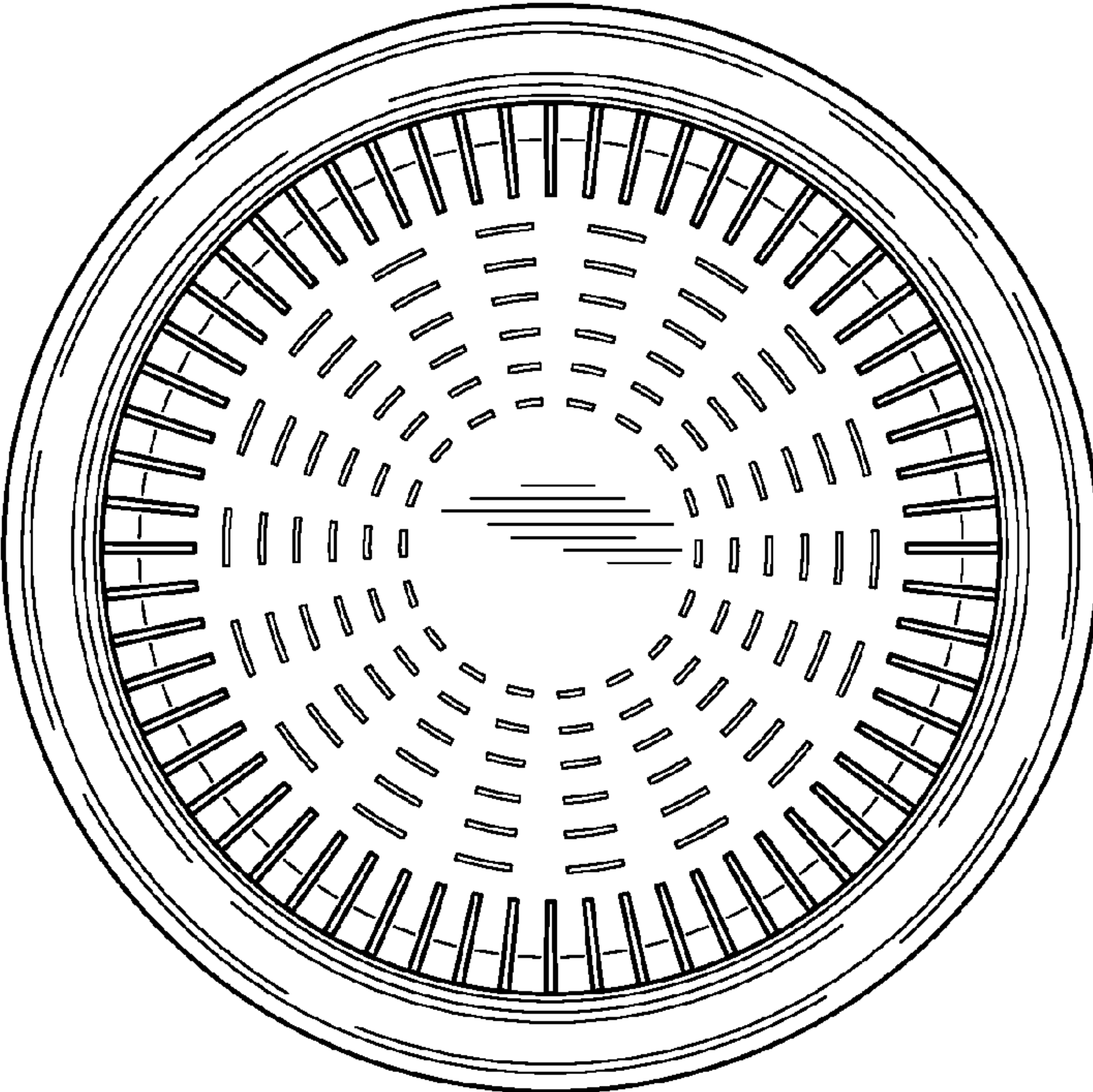


FIG. 10

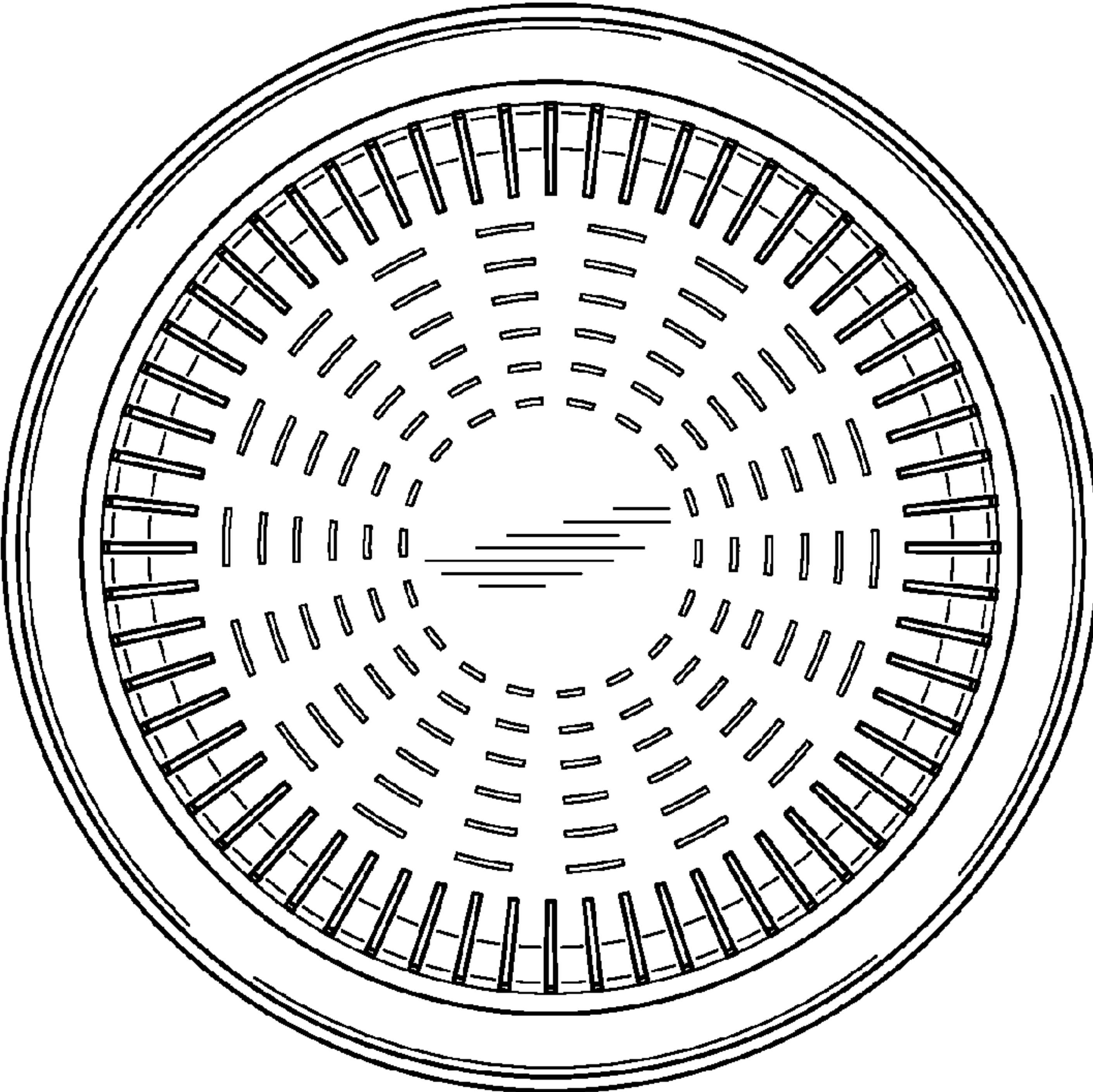


FIG. 11

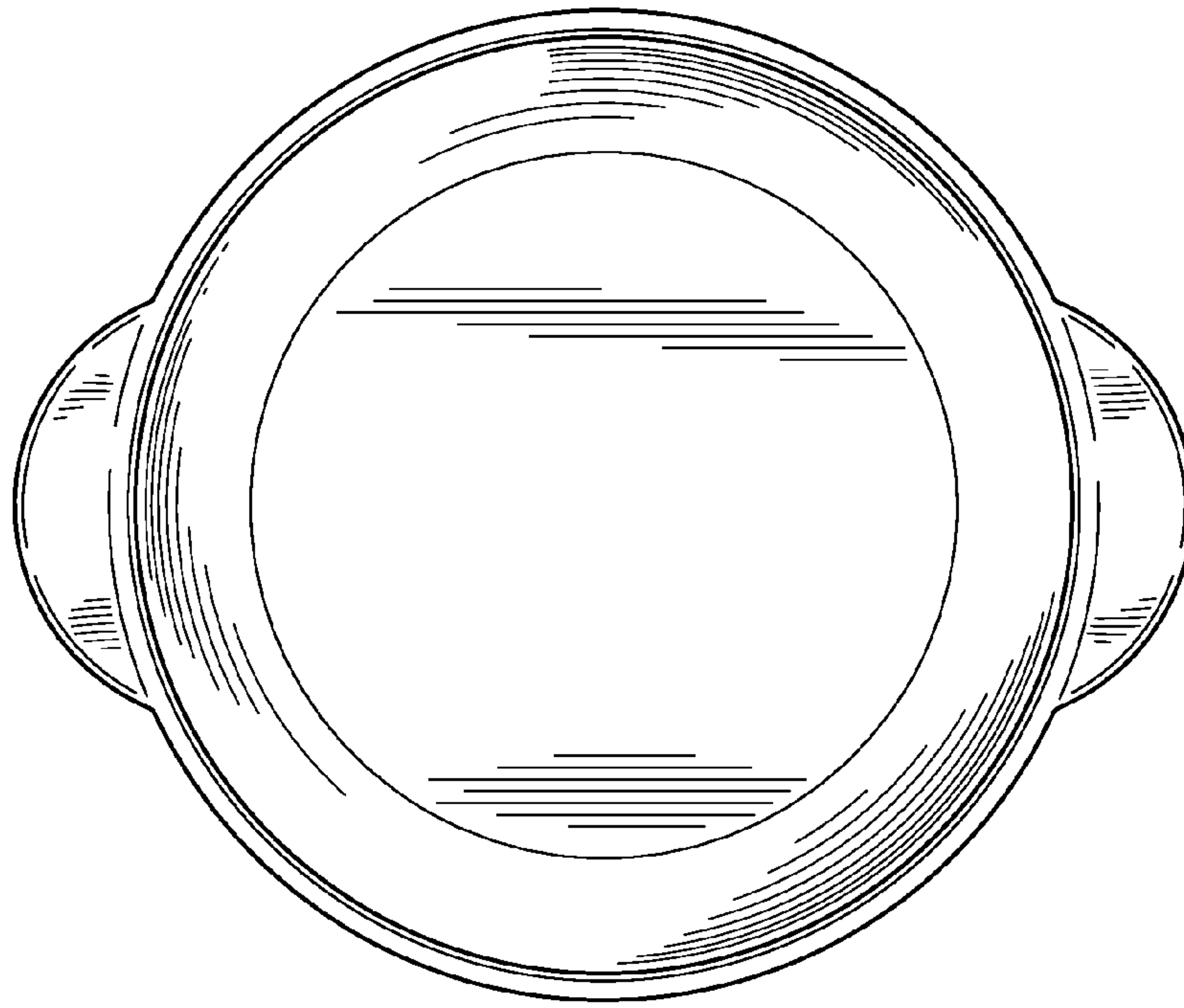


FIG. 12

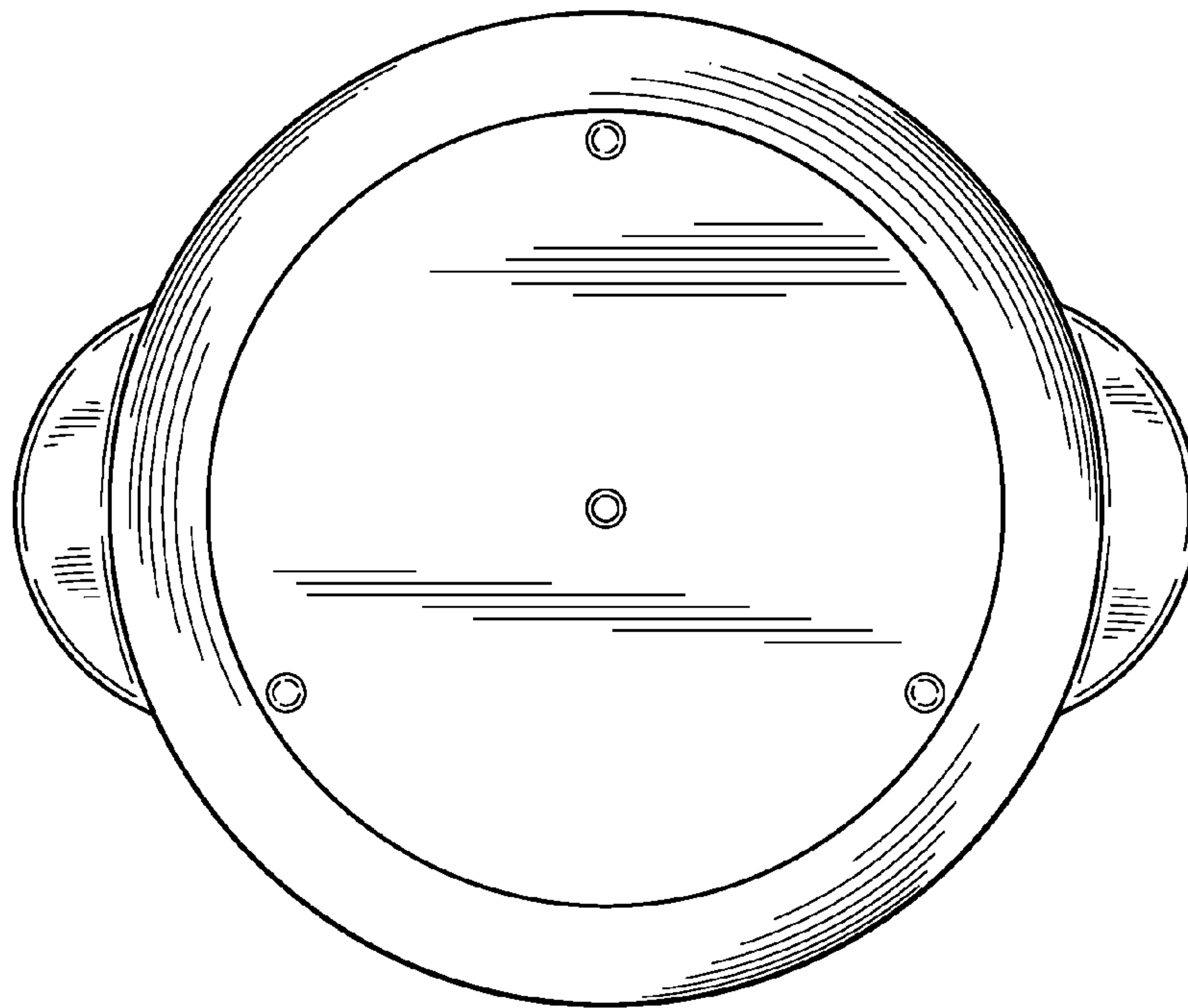


FIG. 13