



US00D609520S

(12) **United States Design Patent**
Pittman

(10) **Patent No.:** **US D609,520 S**

(45) **Date of Patent:** **** *Feb. 9, 2010**

(54) **MATTRESS**

(76) Inventor: **James J. Pittman**, 1420 1/2 W. 132nd St., Gardena, CA (US) 90249

(*) Notice: This patent is subject to a terminal disclaimer.

(**) Term: **14 Years**

(21) Appl. No.: **29/335,346**

(22) Filed: **Apr. 14, 2009**

Related U.S. Application Data

(60) Division of application No. 29/307,188, filed on Apr. 5, 2008, now Pat. No. Des. 593,349, which is a continuation-in-part of application No. 11/280,395, filed on Nov. 17, 2005.

(51) **LOC (9) Cl.** **06-09**

(52) **U.S. Cl.** **D6/596; D6/605**

(58) **Field of Classification Search** D6/595-598, D6/601-604, 608; 5/630, 636-638, 652, 5/652.1, 654, 655, 417-420, 118, 706
See application file for complete search history.

(56) **References Cited**

U.S. PATENT DOCUMENTS

D341,052 S * 11/1993 Fogel D6/596

D404,955 S * 2/1999 Buonocore D6/605
5,966,755 A * 10/1999 Pittman 5/118
2005/0120477 A1 * 6/2005 Kennan 5/118
2007/0107134 A1 * 5/2007 Pittman 5/713

* cited by examiner

Primary Examiner—Janice E Seeger

(74) *Attorney, Agent, or Firm*—Mind Law Firm; Jeromye V. Sartain

(57) **CLAIM**

The ornamental design for a mattress, as shown and described.

DESCRIPTION

FIG. 1 is an exploded perspective view showing an exemplary embodiment of my new mattress design;

FIG. 2 is a perspective view thereof;

FIG. 3 is a front view thereof;

FIG. 4 is a back view thereof;

FIG. 5 is a right side view thereof;

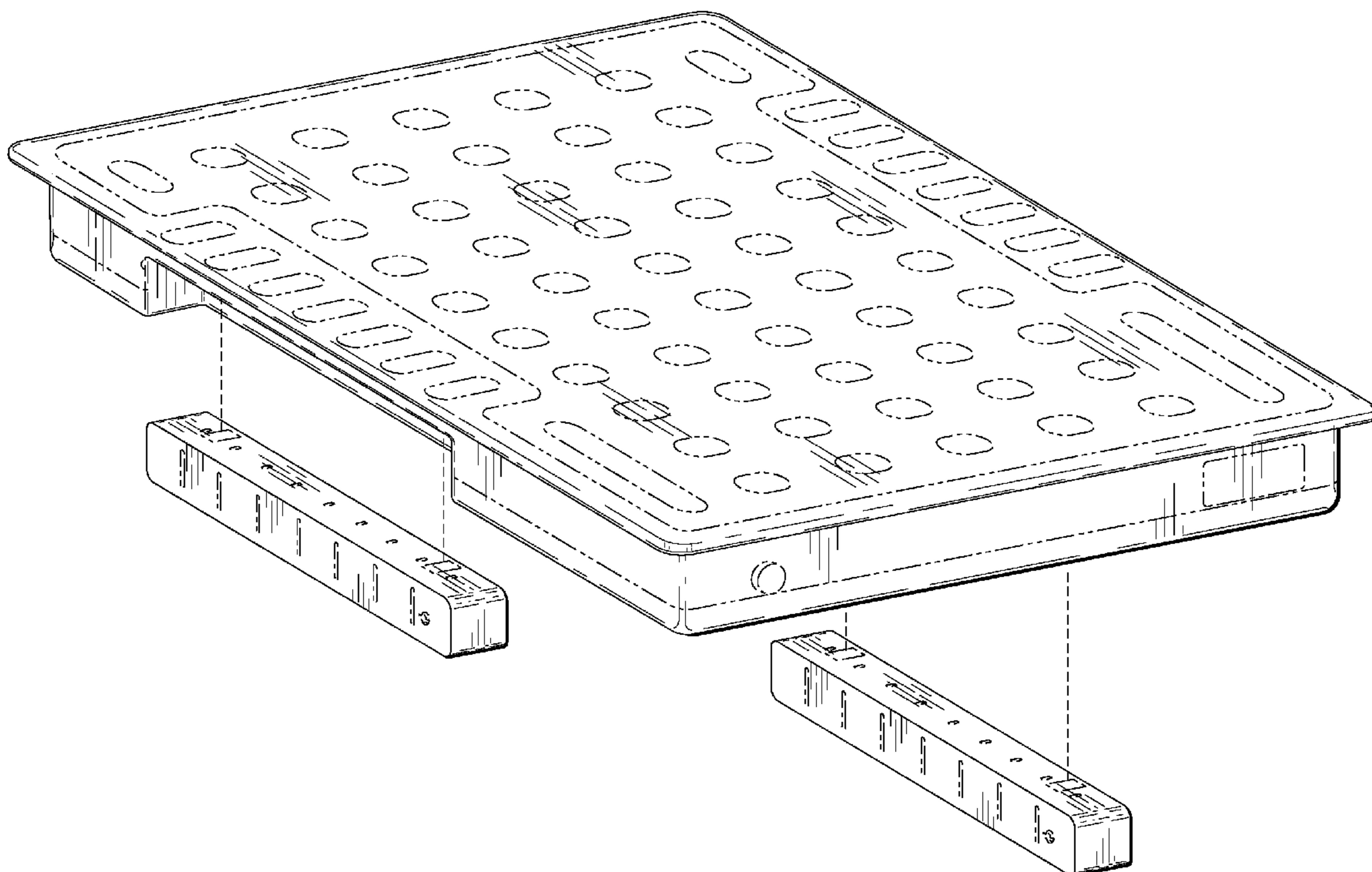
FIG. 6 is a left side view thereof;

FIG. 7 is a top view thereof; and,

FIG. 8 is a bottom view thereof.

The broken lines are for illustrative purposes only and form no part of the claimed design.

1 Claim, 5 Drawing Sheets



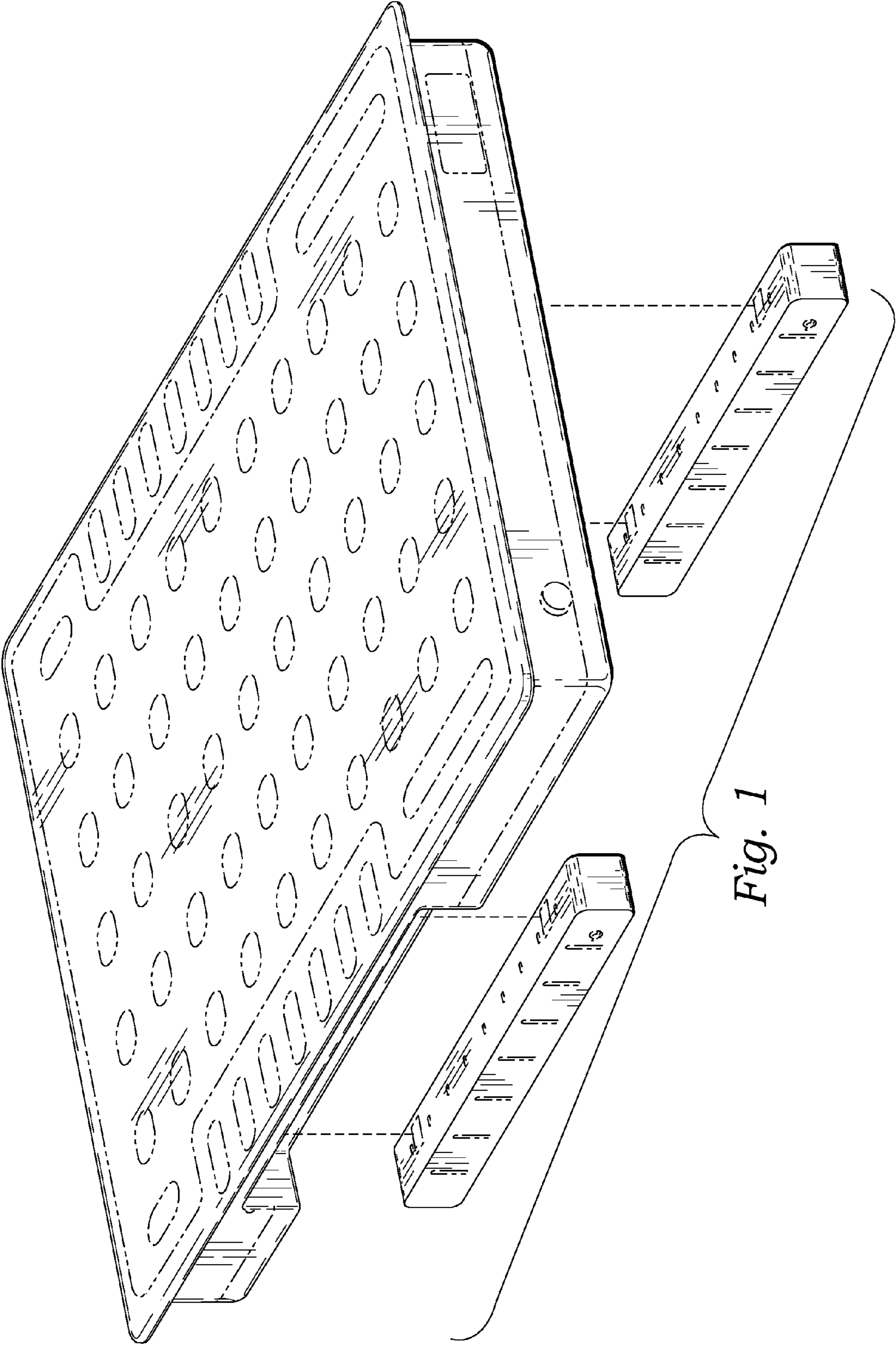


Fig. 1

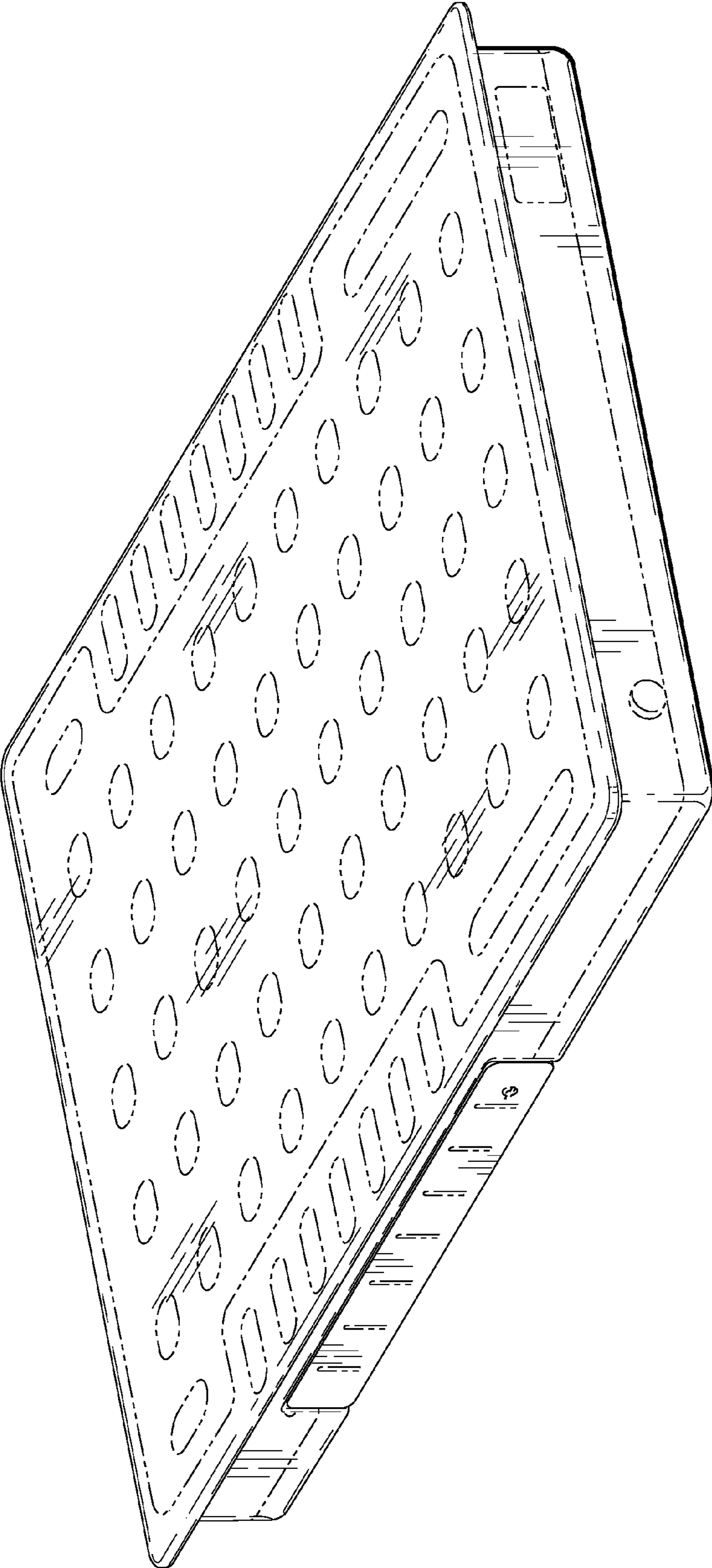


Fig. 2

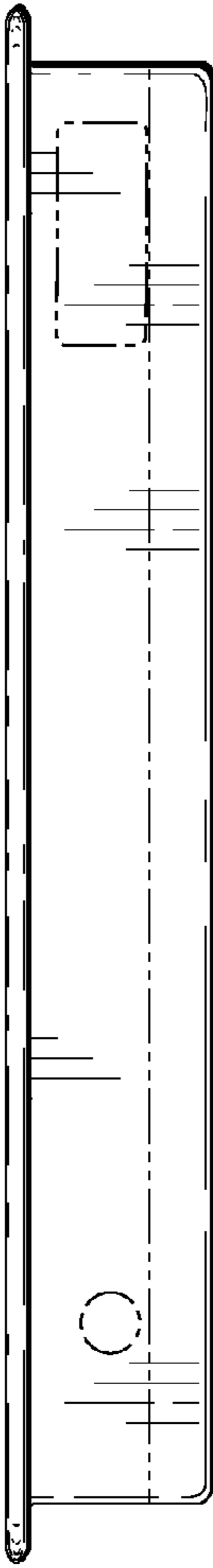


Fig. 3

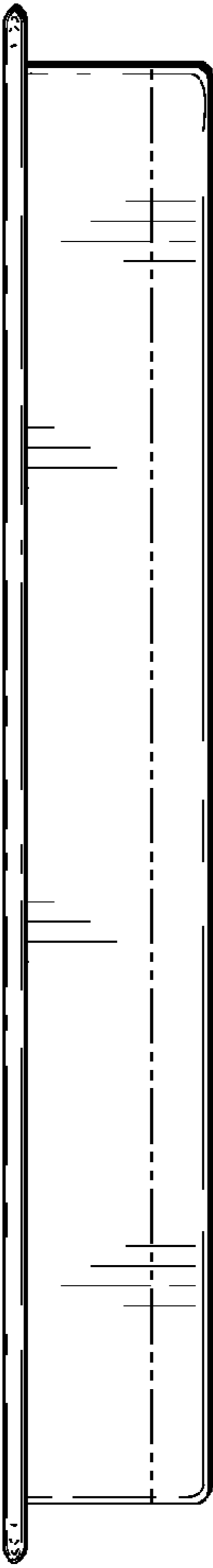


Fig. 4

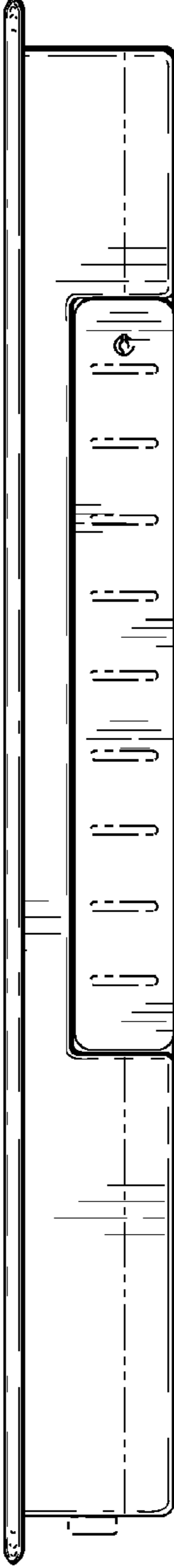


Fig. 5

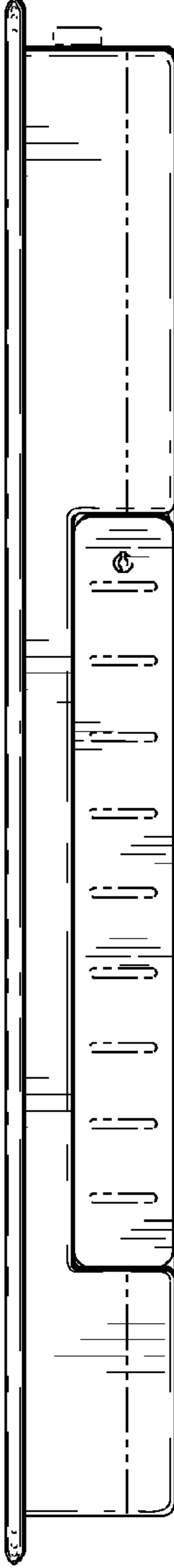


Fig. 6

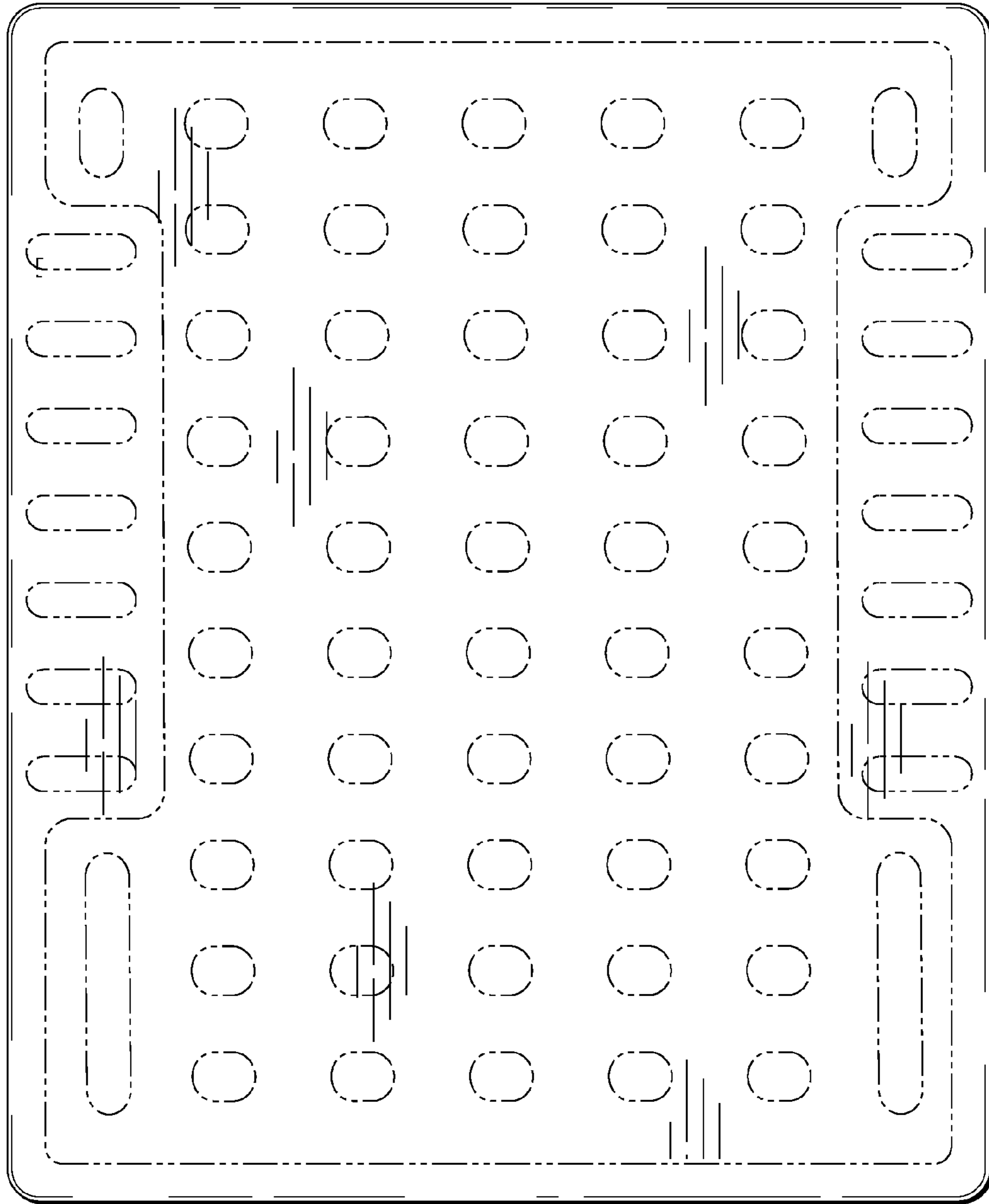


Fig. 7

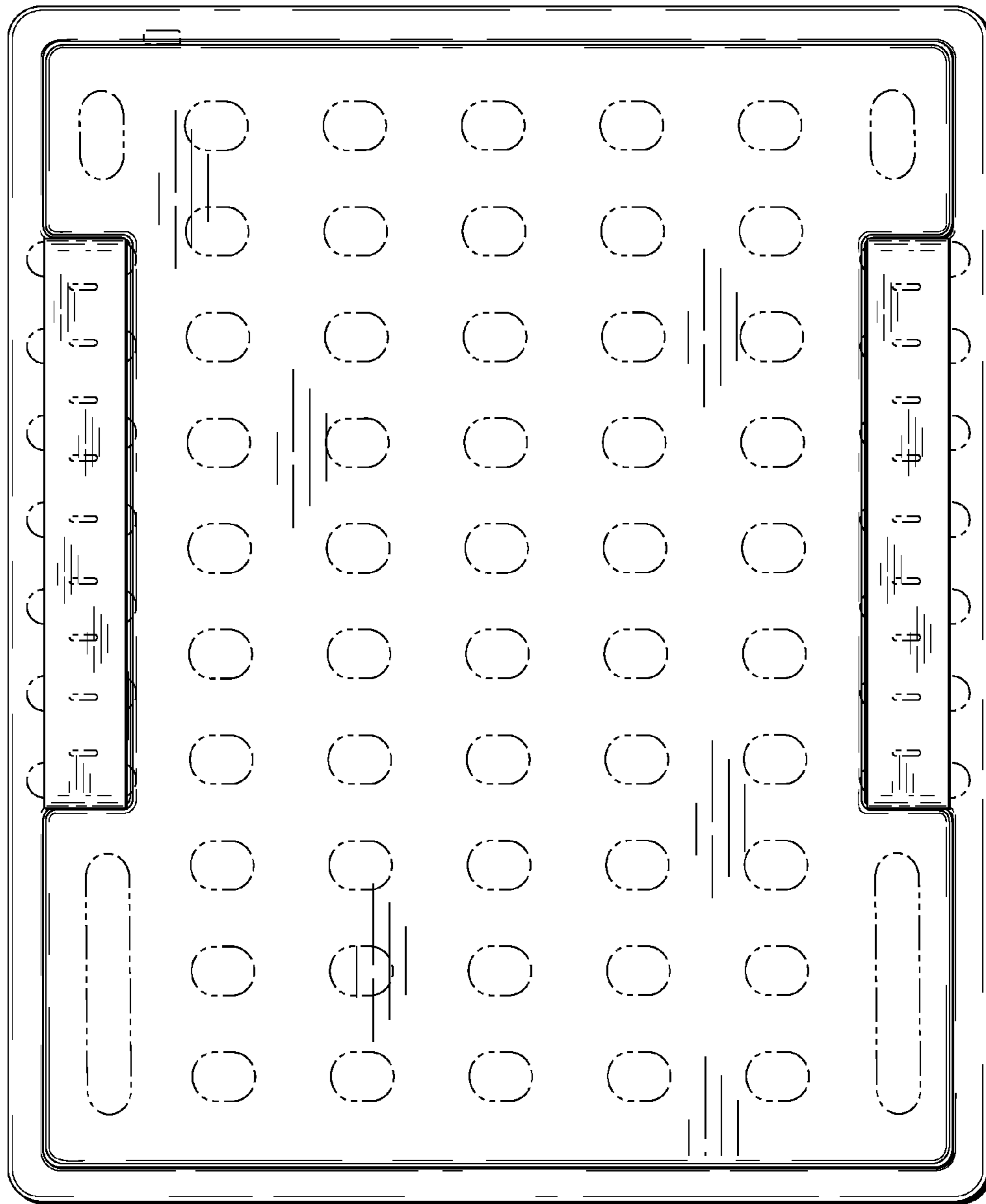


Fig. 8