



US00D609517S

(12) **United States Design Patent**
Oakes

(10) **Patent No.:** **US D609,517 S**

(45) **Date of Patent:** **** Feb. 9, 2010**

(54) **WALL MOUNTED STORAGE RACK WITH UNDERMOUNTED CANISTERS**

(76) Inventor: **Thomas J. Oakes**, 3959 Old Highway
18, Vernon, AL (US) 35592

(**) Term: **14 Years**

(21) Appl. No.: **29/332,847**

(22) Filed: **Feb. 26, 2009**

Related U.S. Application Data

(63) Continuation-in-part of application No. 29/321,997,
filed on Jul. 28, 2008, now Pat. No. Des. 598,227.

(51) **LOC (9) Cl.** **06-04**

(52) **U.S. Cl.** **D6/553**

(58) **Field of Classification Search** D6/553,
D6/559; D7/707-708; 211/13.1, 74, 75,
211/77-78, 85.4, 87.01; 206/6.1

See application file for complete search history.

(56) **References Cited**

U.S. PATENT DOCUMENTS

2,557,801 A 6/1951 Shapiro
4,019,638 A 4/1977 Miller
D329,573 S * 9/1992 Picard D6/559

D369,710 S * 5/1996 Picard et al. D6/559

6,578,497 B2 6/2003 Reddig

7,207,448 B1 4/2007 Marino, Jr.

D542,583 S * 5/2007 Watchowski et al. D6/553

D598,227 S * 8/2009 Oakes D6/553

* cited by examiner

Primary Examiner—Brian N Vinson

(74) *Attorney, Agent, or Firm*—Crossley Patent Law; Mark A.
Crossley

(57) **CLAIM**

The ornamental design for a wall mounted storage rack with
undermounted canisters, as shown and described.

DESCRIPTION

FIG. 1 is a front elevation view of a wall mounted storage rack
with undermounted canisters showing my new design;

FIG. 2 is a rear elevation view thereof;

FIG. 3 is a right elevation view thereof;

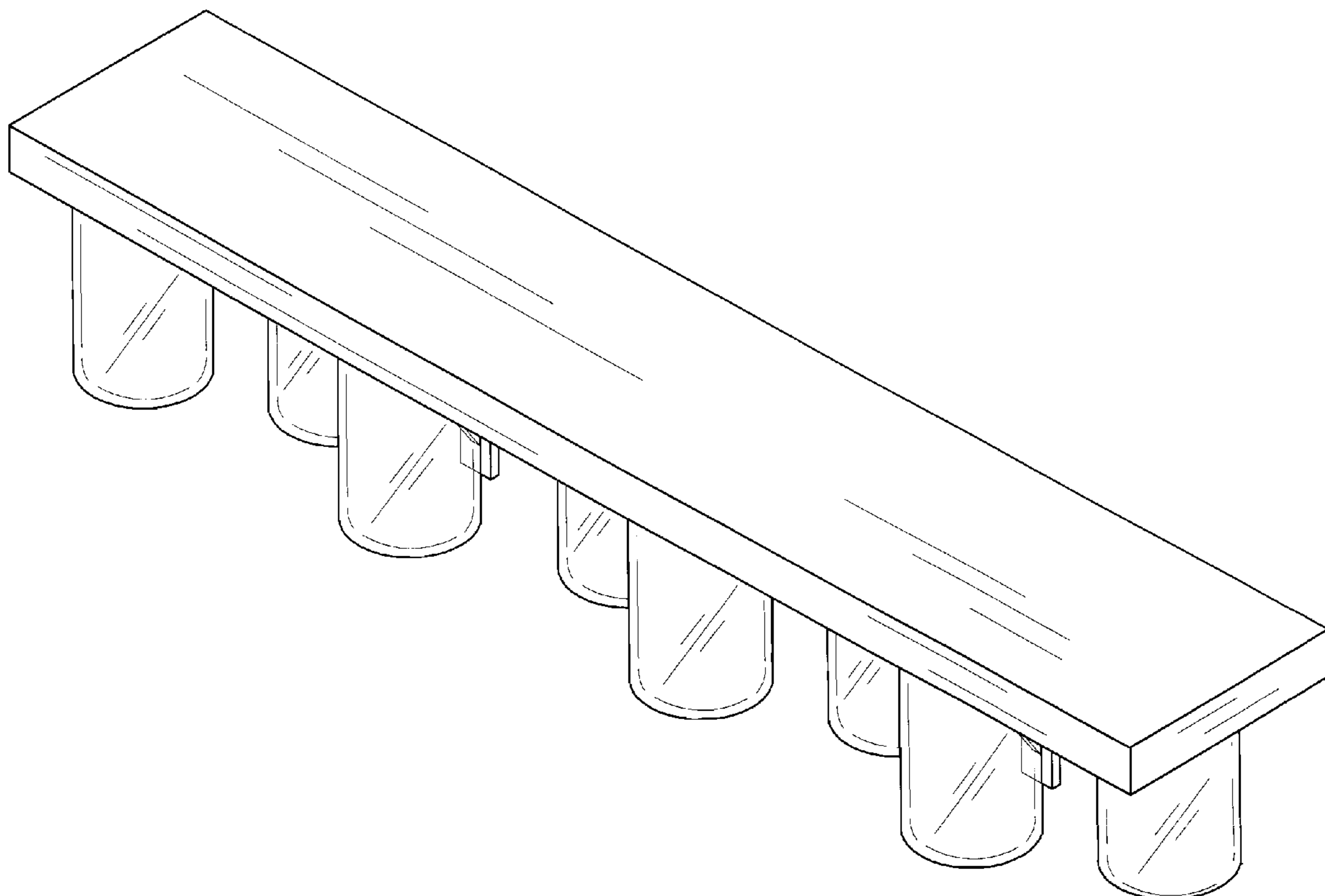
FIG. 4 is a left elevation view thereof;

FIG. 5 is a top plan view thereof;

FIG. 6 is a bottom plan view thereof; and,

FIG. 7 is an isometric view thereof.

1 Claim, 3 Drawing Sheets



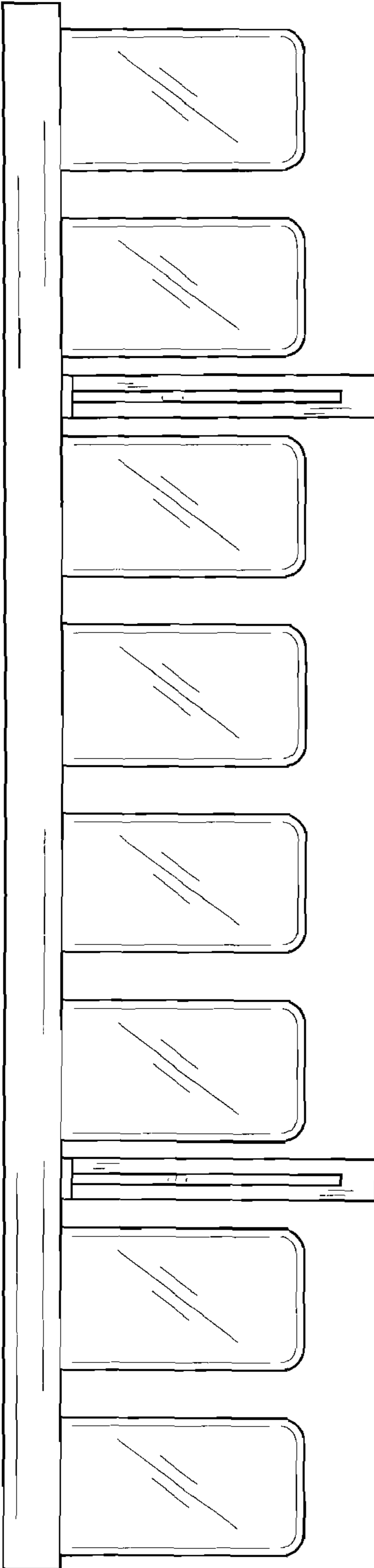


FIG. 1

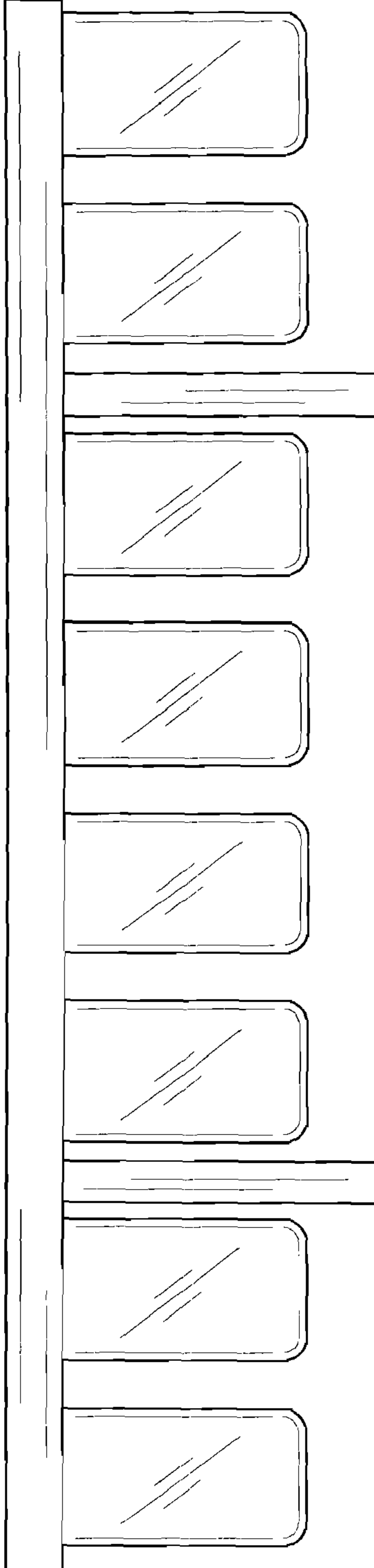


FIG. 2

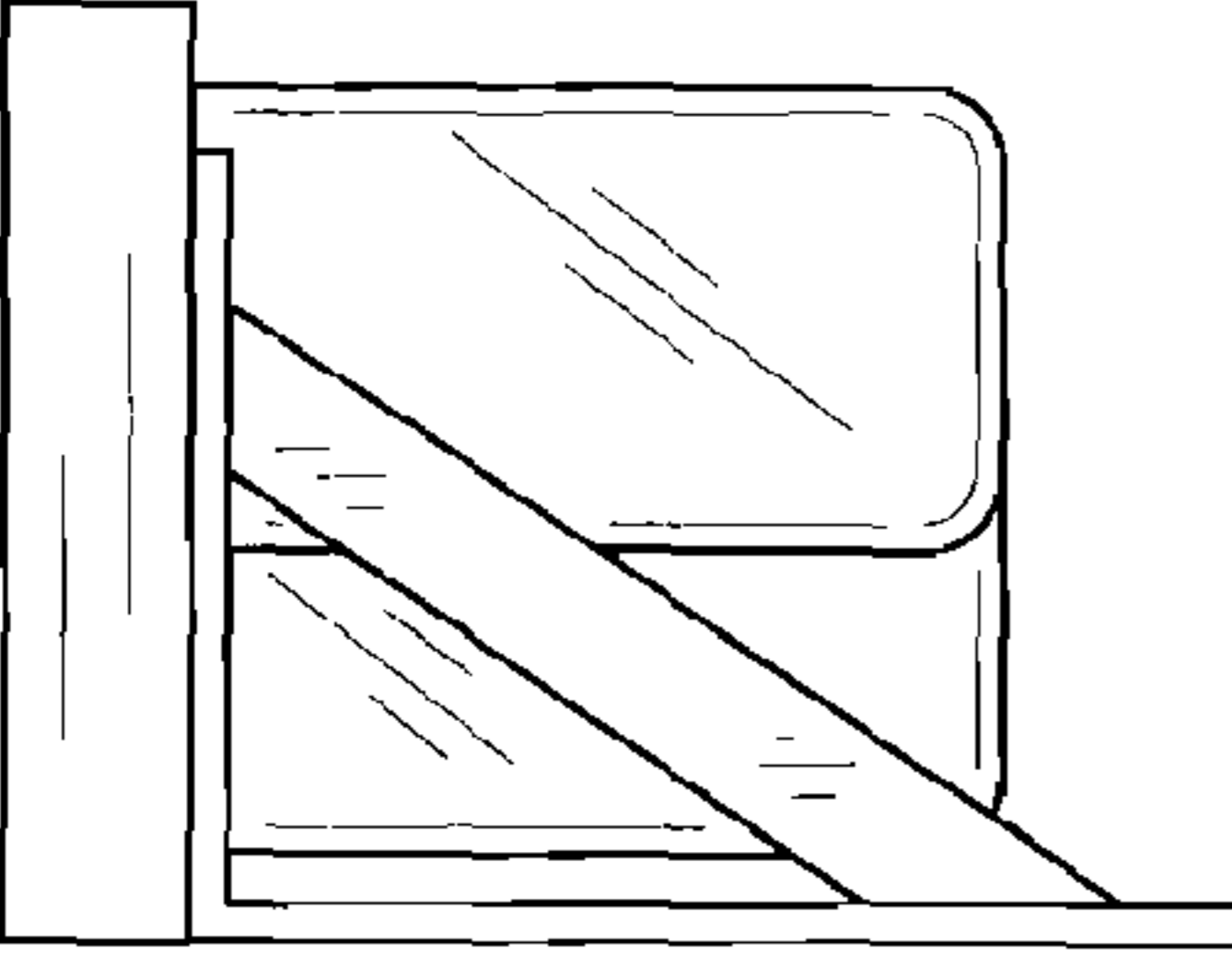


FIG. 3

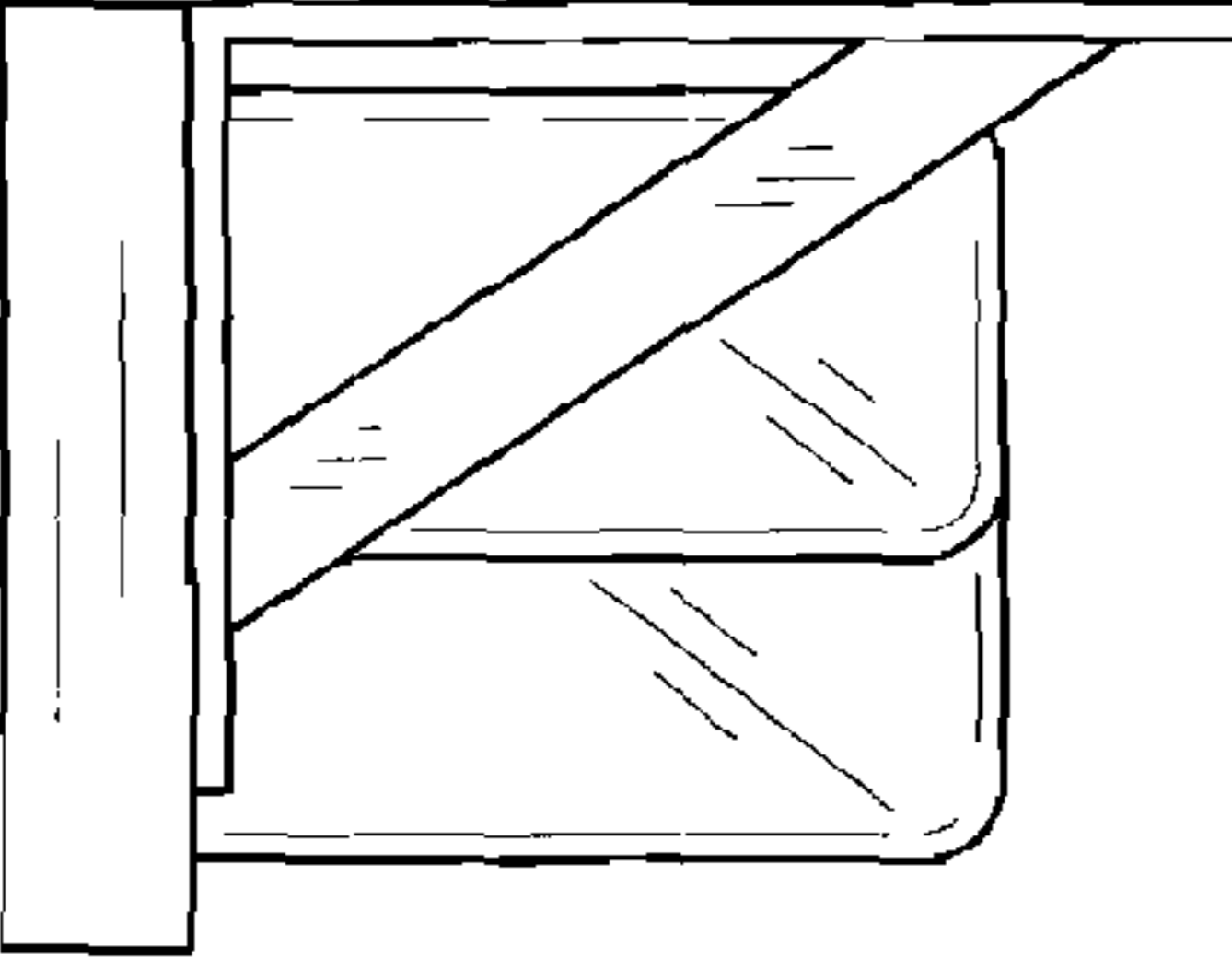


FIG. 4



FIG. 5

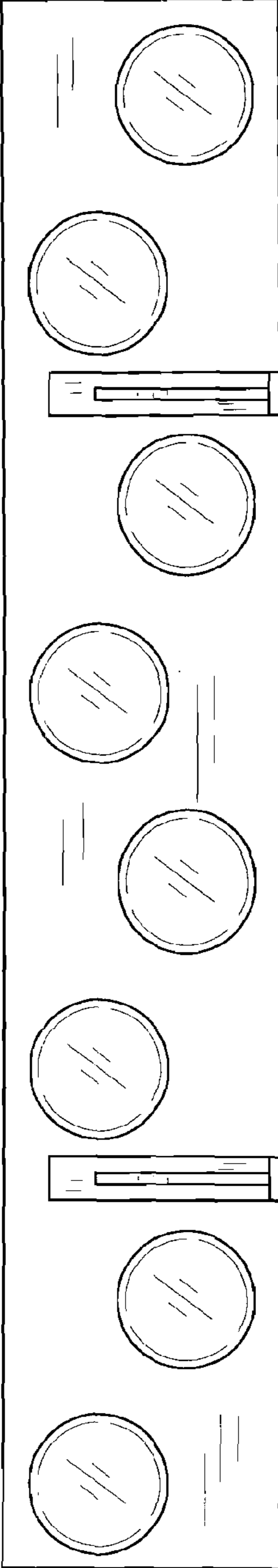


FIG. 6

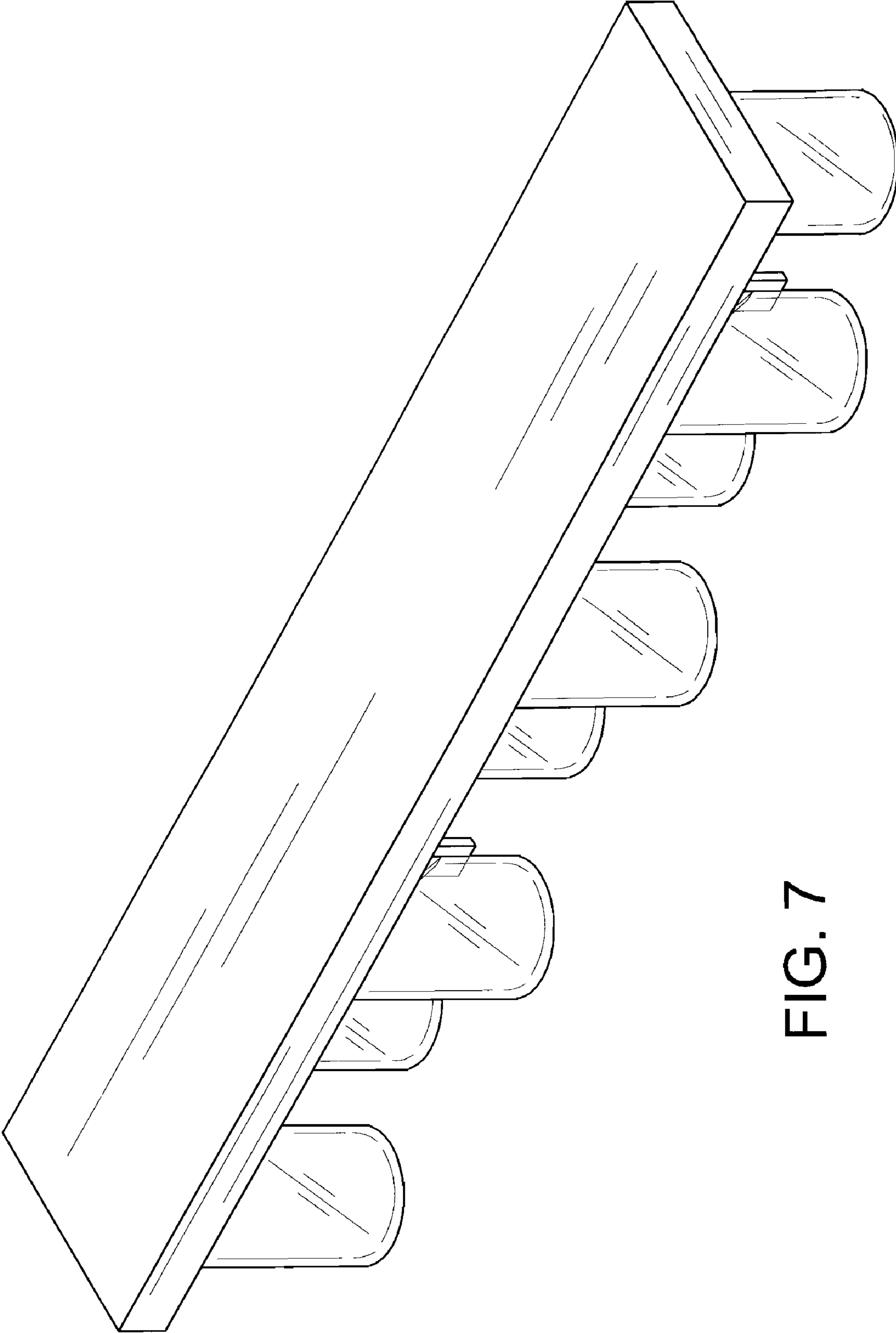


FIG. 7