



US00D609516S

(12) **United States Design Patent**
Vining

(10) **Patent No.:** **US D609,516 S**

(45) **Date of Patent:** **** Feb. 9, 2010**

(54) **FIREARM AND ACCESSORY STORAGE DEVICE**

(76) Inventor: **Ricky Vining**, 2004 Elk Spring Dr.,
Brandon, FL (US) 33511

(**) Term: **14 Years**

(21) Appl. No.: **29/344,305**

(22) Filed: **Sep. 27, 2009**

(51) **LOC (9) Cl.** **08-08**

(52) **U.S. Cl.** **D6/552**

(58) **Field of Classification Search** D6/552,
D6/553, 567; D22/109; 211/13.1, 60.1,
211/64, 70.2, 70.6, 70.8

See application file for complete search history.

(56) **References Cited**

U.S. PATENT DOCUMENTS

D461,085 S * 8/2002 Chen D6/552
D587,051 S * 2/2009 Vining D6/552

* cited by examiner

Primary Examiner—Brian N Vinson
(74) *Attorney, Agent, or Firm*—Gulf Coast Intellectual
Property Group, LLC

(57) **CLAIM**

The ornamental design for a firearm and accessory storage device, as shown and described.

DESCRIPTION

FIG. 1 is a left perspective view thereof, the broken line disclosure representing a firearm and firearm accessories being for illustrative purposes only forming no part of the claimed design;

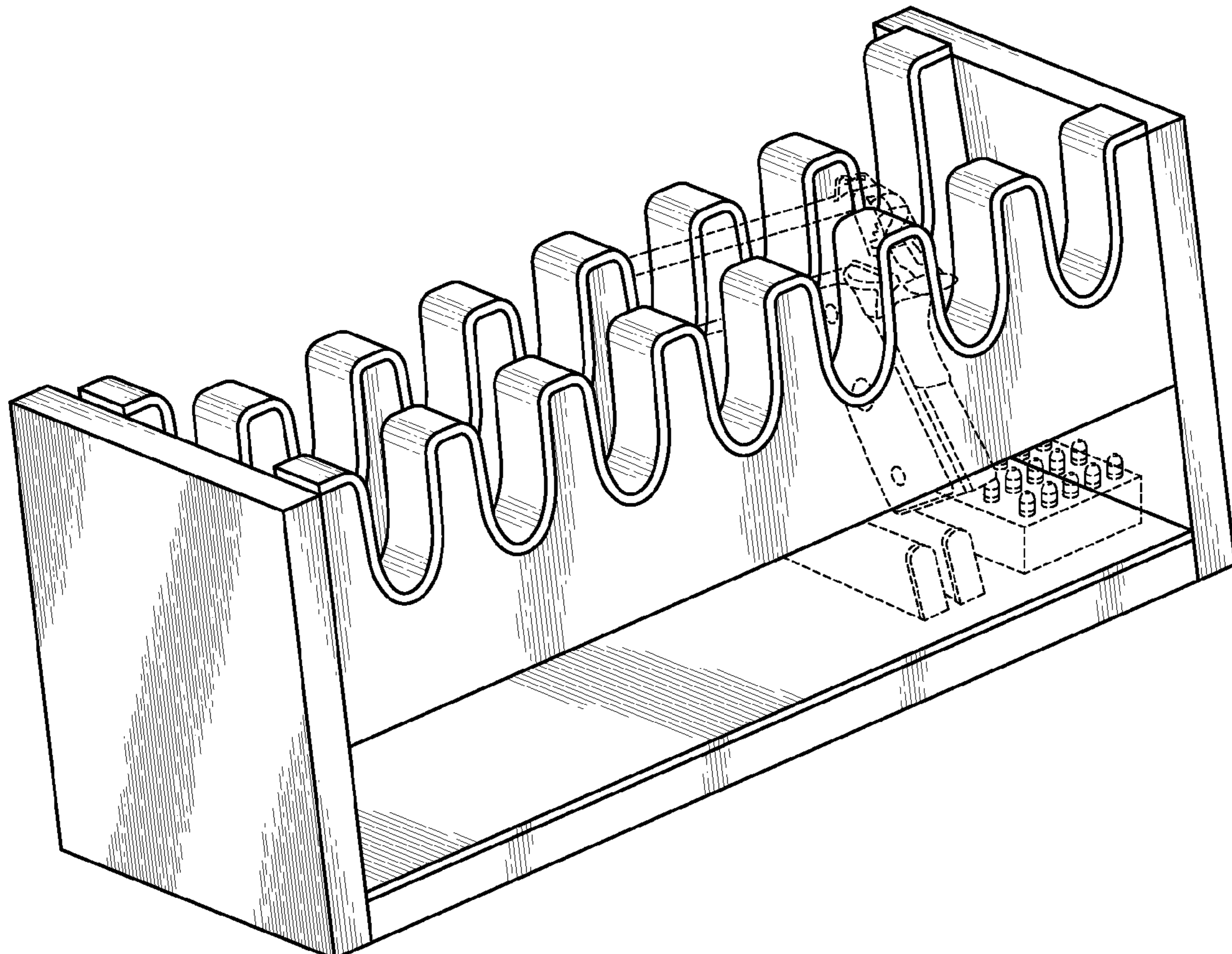
FIG. 2 is a left side elevation view thereof;

FIG. 3 is a right perspective view thereof, the broken line disclosure representing a firearm and firearm accessories being for illustrative purposes only forming no part of the claimed design;

FIG. 4 is a right side elevation view thereof; and,

FIG. 5 is a front elevation view thereof.

1 Claim, 2 Drawing Sheets



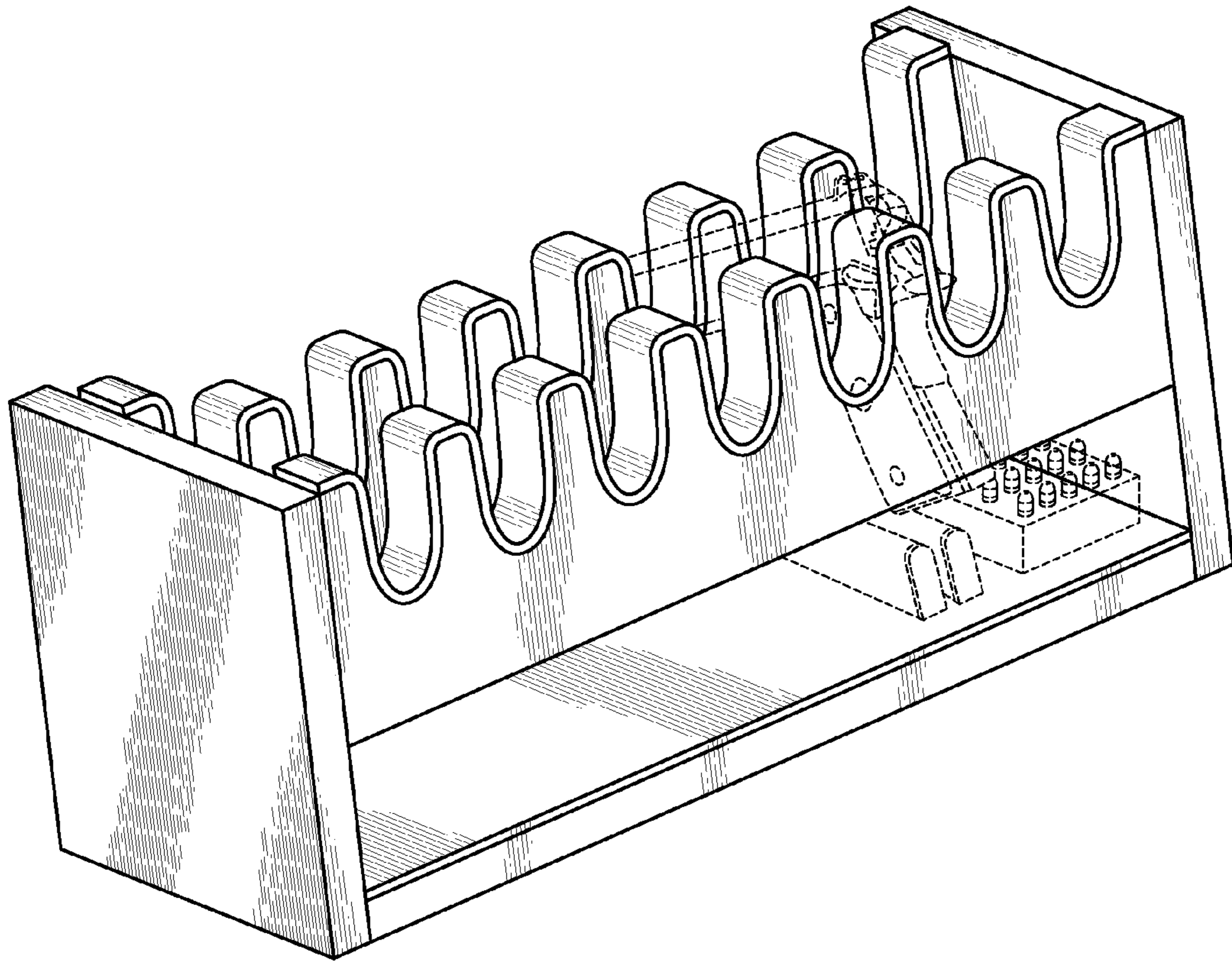


FIG. 1

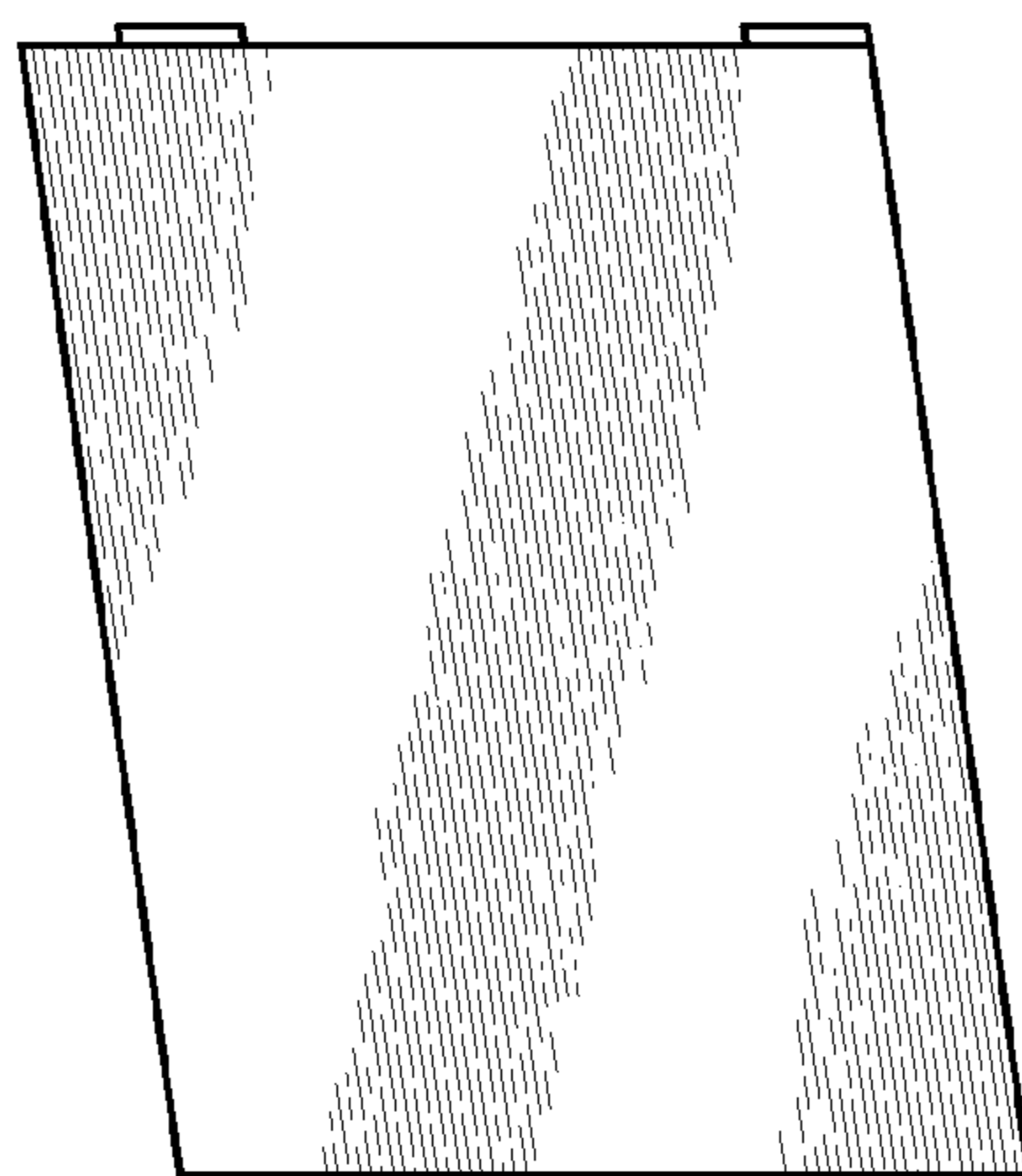


FIG. 2

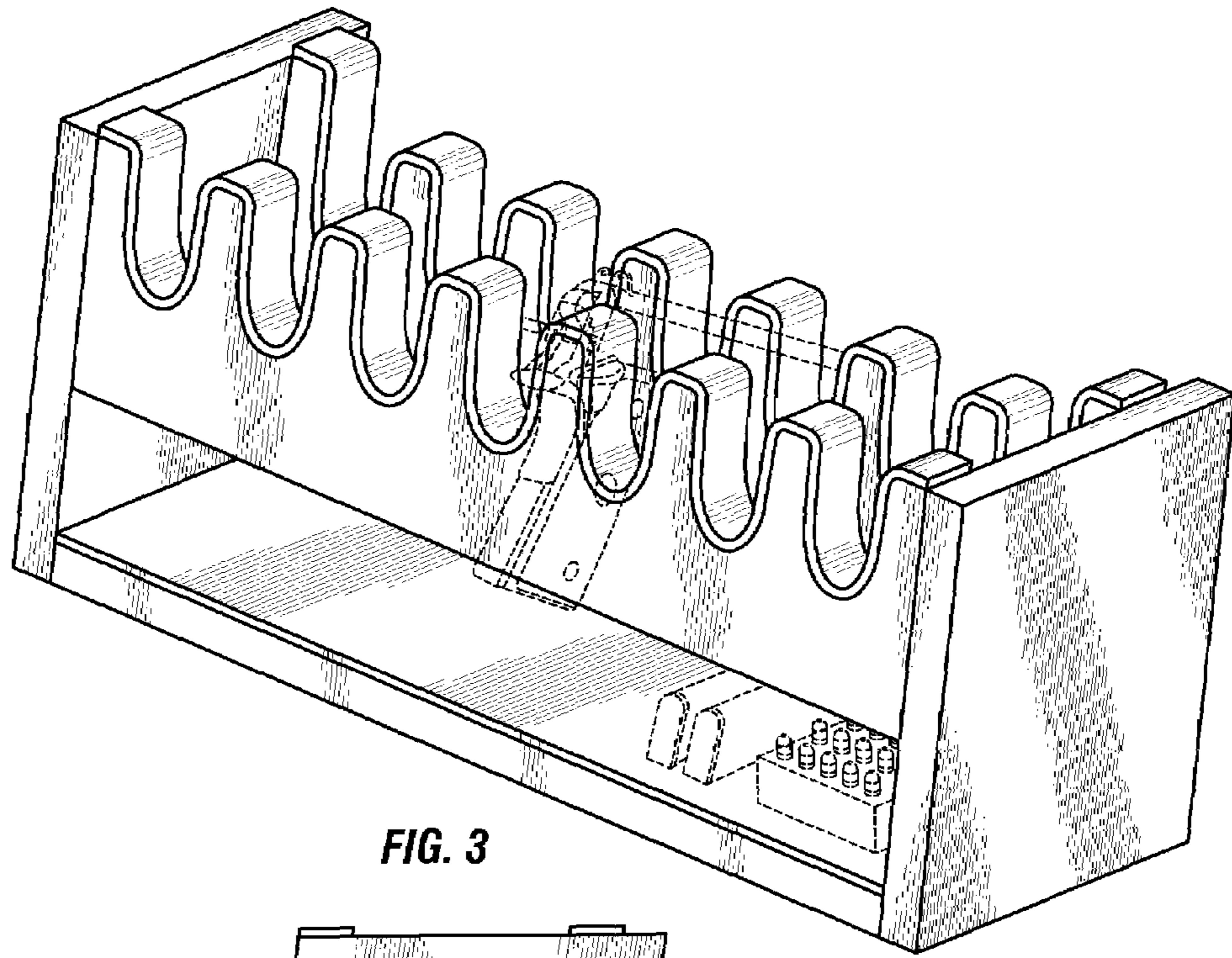


FIG. 3

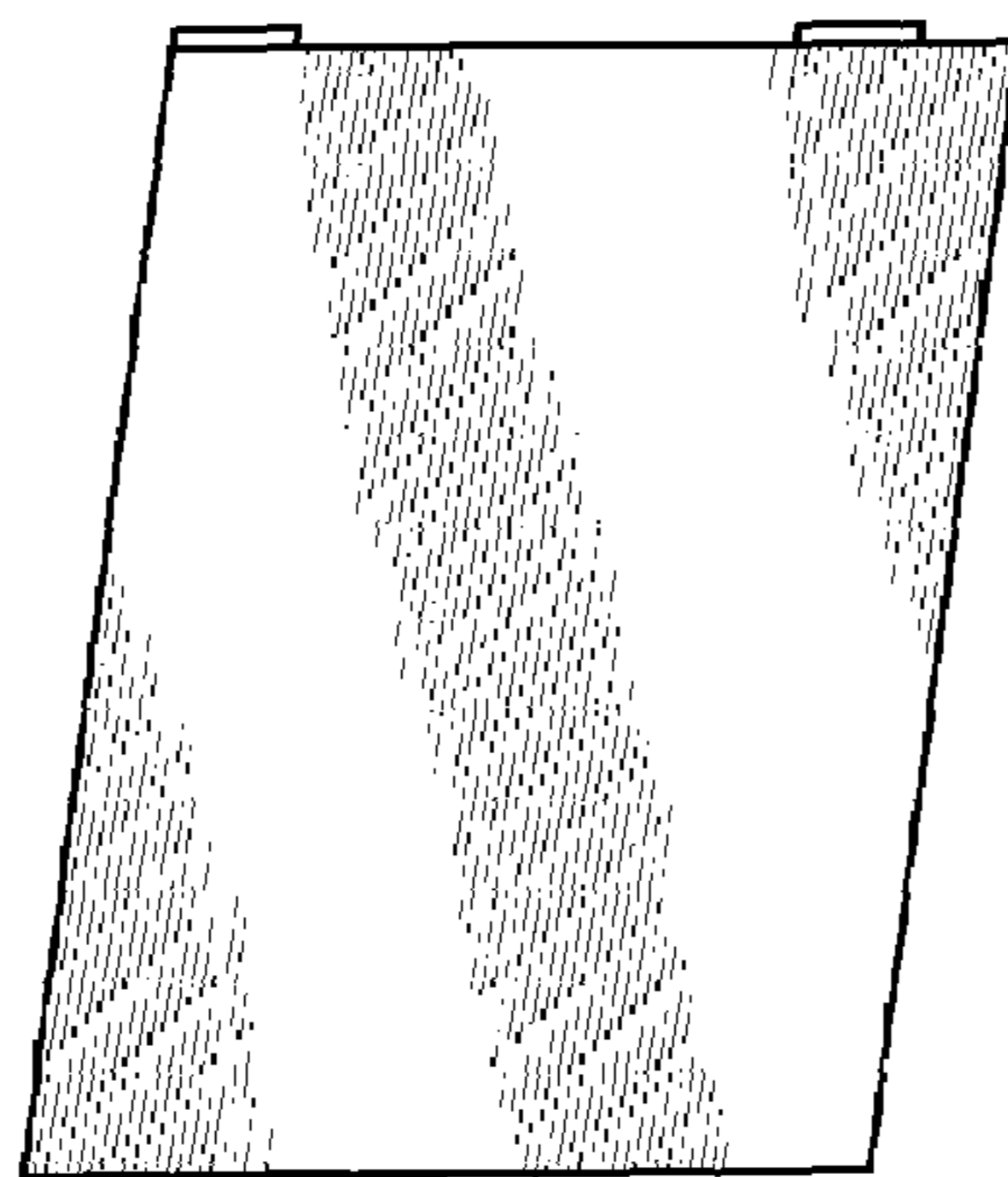


FIG. 4

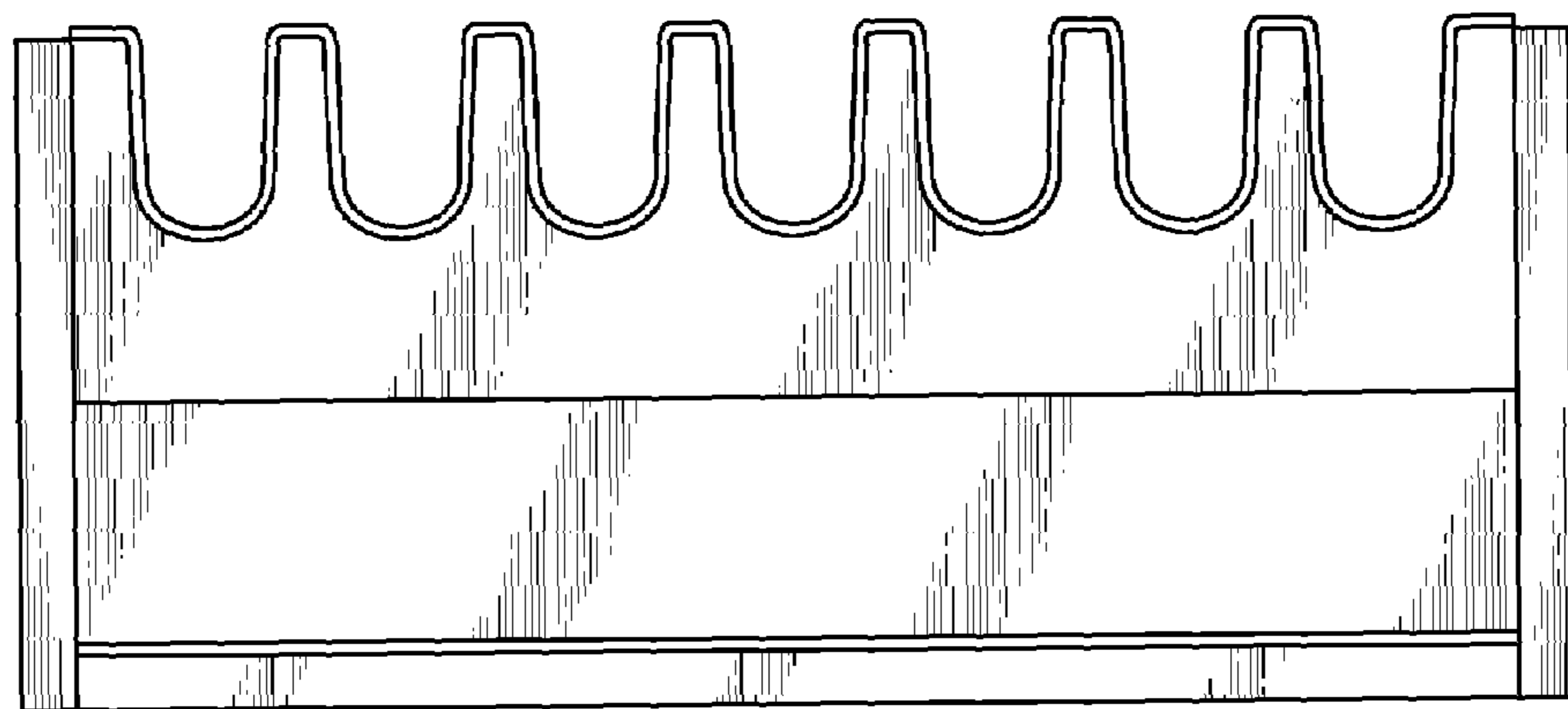


FIG. 5