



US00D609515S

(12) **United States Design Patent**
Krumpe

(10) **Patent No.:** **US D609,515 S**

(45) **Date of Patent:** **** Feb. 9, 2010**

(54) **BATH ACCESSORY POST**

(75) Inventor: **Geraint Krumpe**, Chicago, IL (US)

(73) Assignee: **Liberty Hardware Mfg. Corp.**,
Winston-Salem, NC (US)

(**) Term: **14 Years**

(21) Appl. No.: **29/330,864**

(22) Filed: **Jan. 15, 2009**

(51) **LOC (9) Cl.** **06-04**

(52) **U.S. Cl.** **D6/550; D6/524**

(58) **Field of Classification Search** D6/518-524,
D6/546-550, 323; D8/300, 370, 315; 108/28-29;
211/13.1, 16, 85.5, 86.01, 87.01, 88.04, 100,
211/105.1, 105.2, 106, 113, 123, 181.1, 182-183;
248/49, 175, 176.1, 200, 201, 205.1, 251,
248/302, 309.1, 315; 242/570, 590, 595-598
See application file for complete search history.

(56) **References Cited**

U.S. PATENT DOCUMENTS

D361,006 S *	8/1995	Sharpe	D6/524
D449,952 S *	11/2001	Lyndon	D6/549
D454,744 S *	3/2002	Ou-Young	D6/550
D455,034 S *	4/2002	Ou-Young	D6/524
D492,530 S *	7/2004	Chen	D6/549

D503,061 S *	3/2005	Fuchs	D6/549
D516,850 S *	3/2006	Shieh	D6/549
D540,086 S *	4/2007	Kirar	D6/549
D540,599 S *	4/2007	Krumpe et al.	D6/549
D551,001 S *	9/2007	Pipe	D6/524
D552,903 S *	10/2007	Bitterman	D6/524
D574,652 S *	8/2008	Zhang	D6/549
D600,055 S *	9/2009	Hanes	D6/523

* cited by examiner

Primary Examiner—Brian N Vinson

(74) *Attorney, Agent, or Firm*—Edgar A. Zarins; Nirav D. Parikh

(57) **CLAIM**

The ornamental design for a bath accessory post, as shown and described.

DESCRIPTION

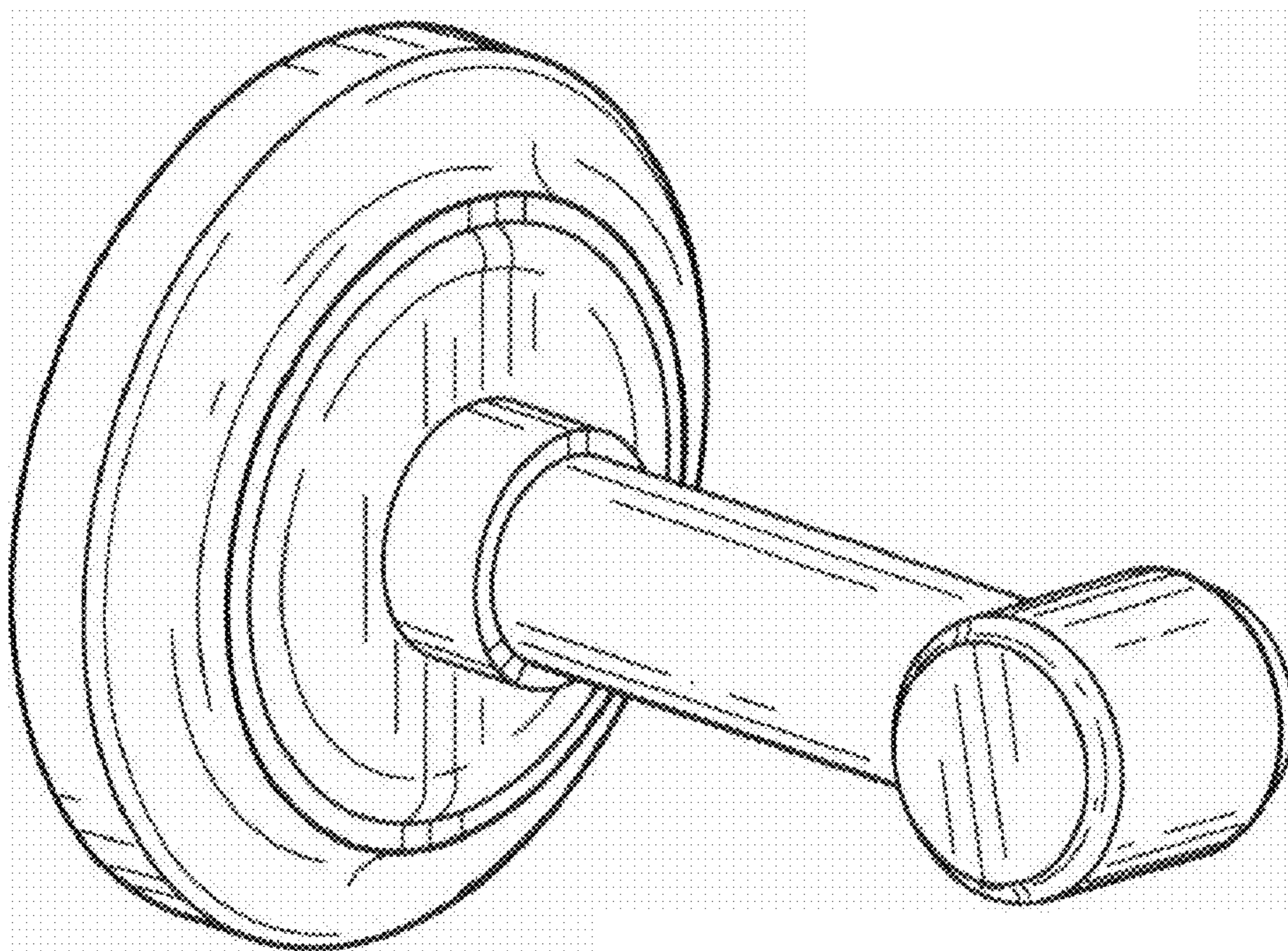
FIG. 1 is a perspective view of a bath accessory post showing my new design;

FIG. 2 is a right end view thereof, the opposite end being a mirror image of the end shown;

FIG. 3 is a front elevational view thereof; and,

FIG. 4 is a side plan view thereof, the opposite side being a mirror image of the side shown.

1 Claim, 1 Drawing Sheet



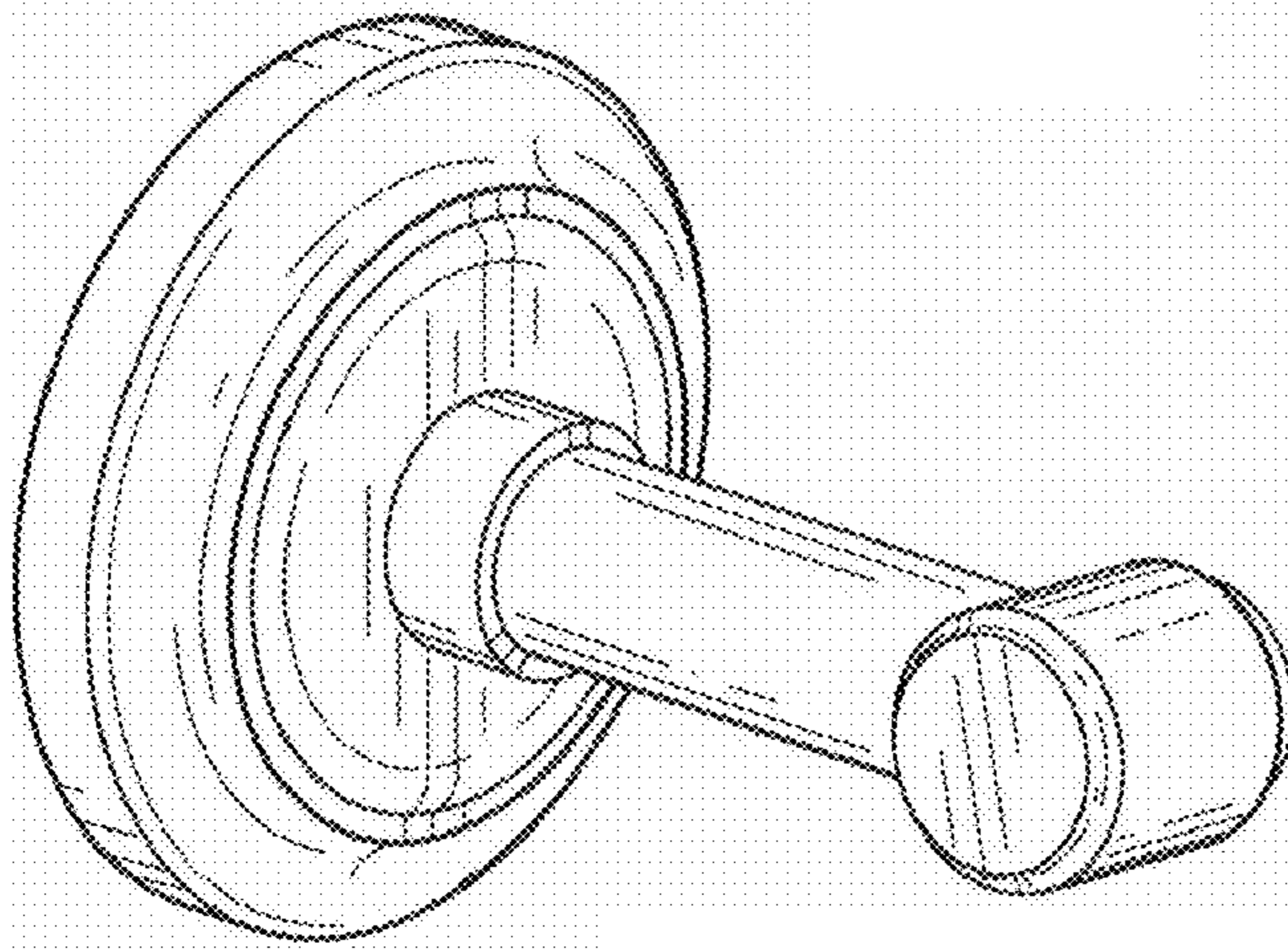


Fig-1

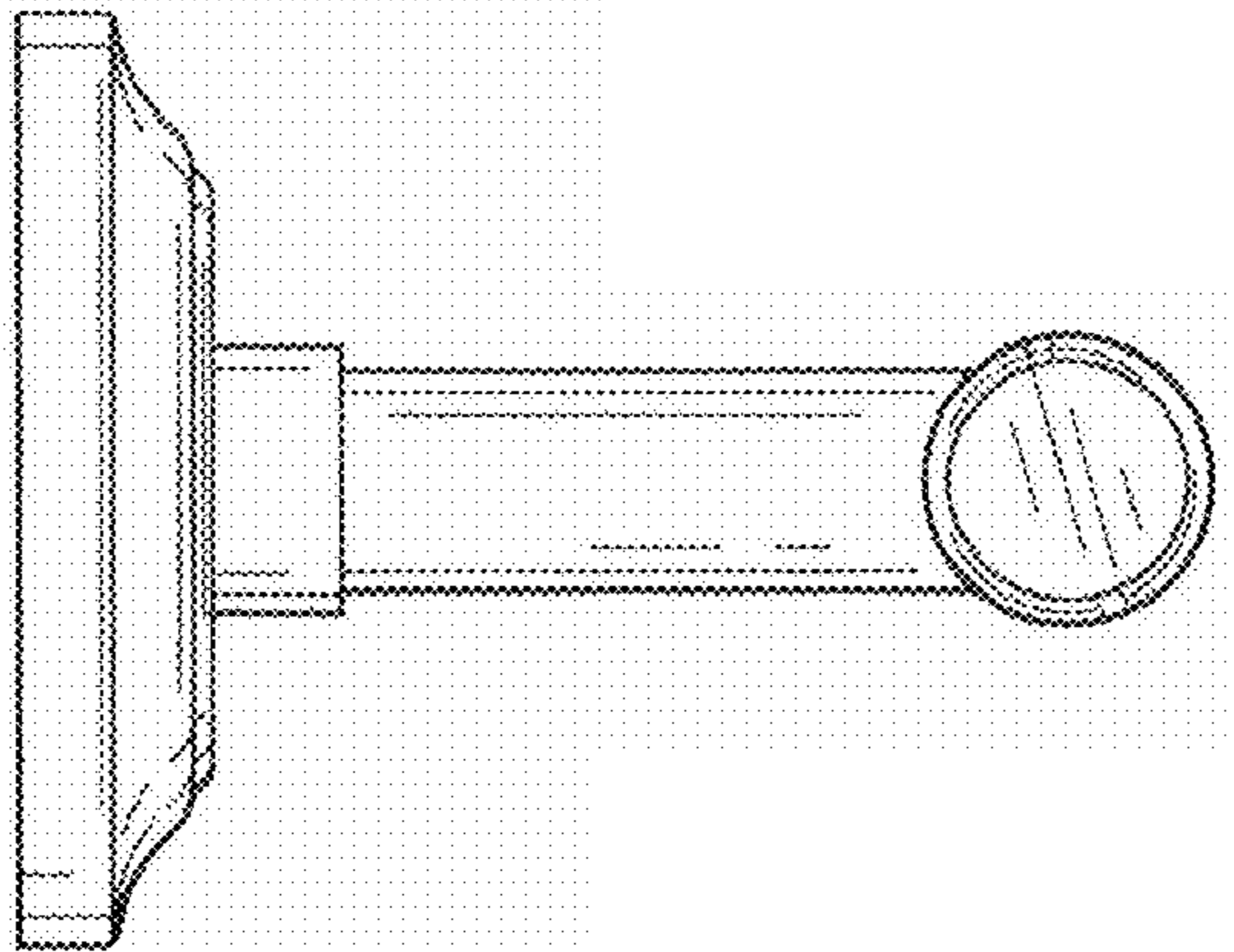


Fig-2

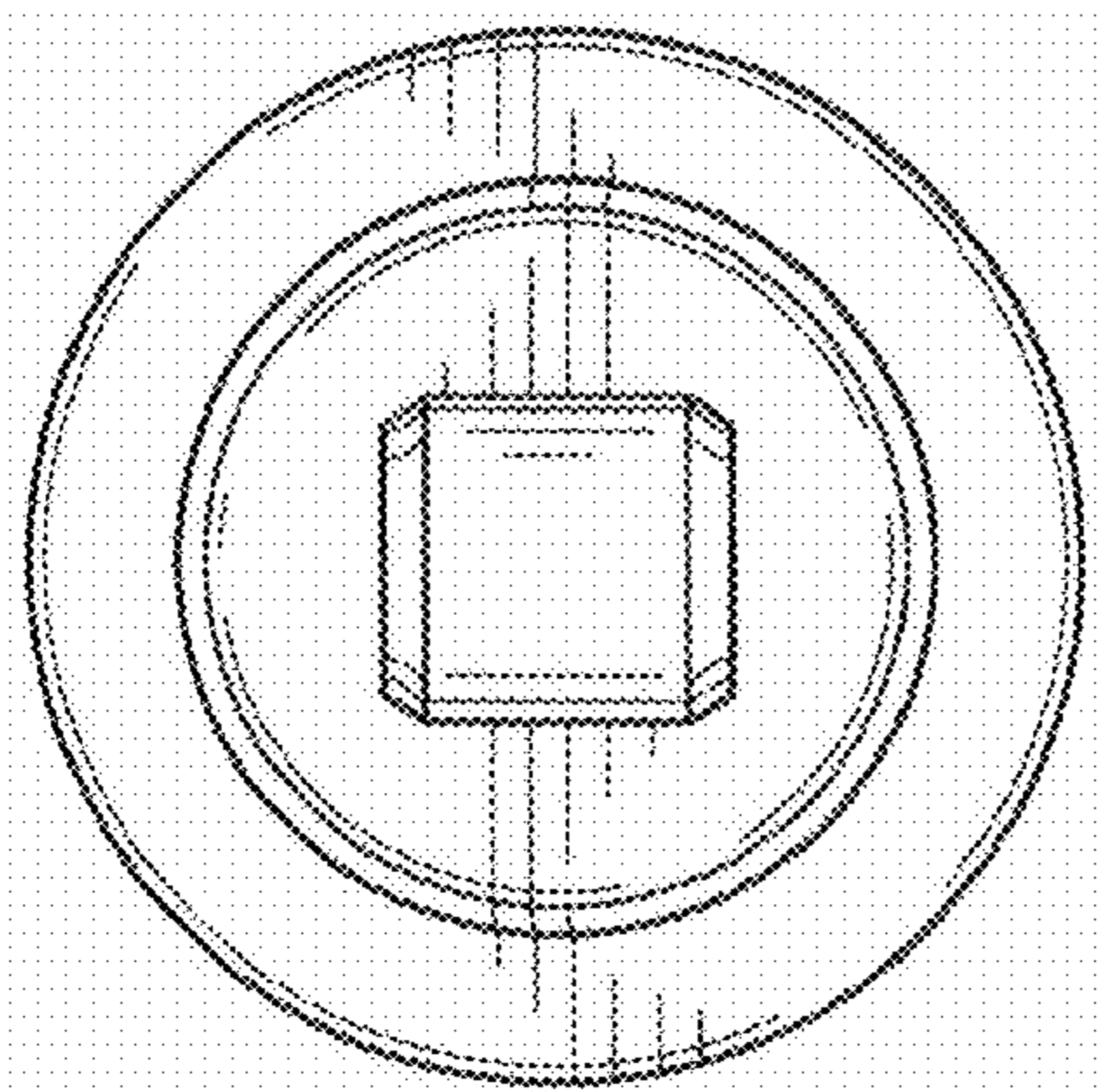


Fig-3

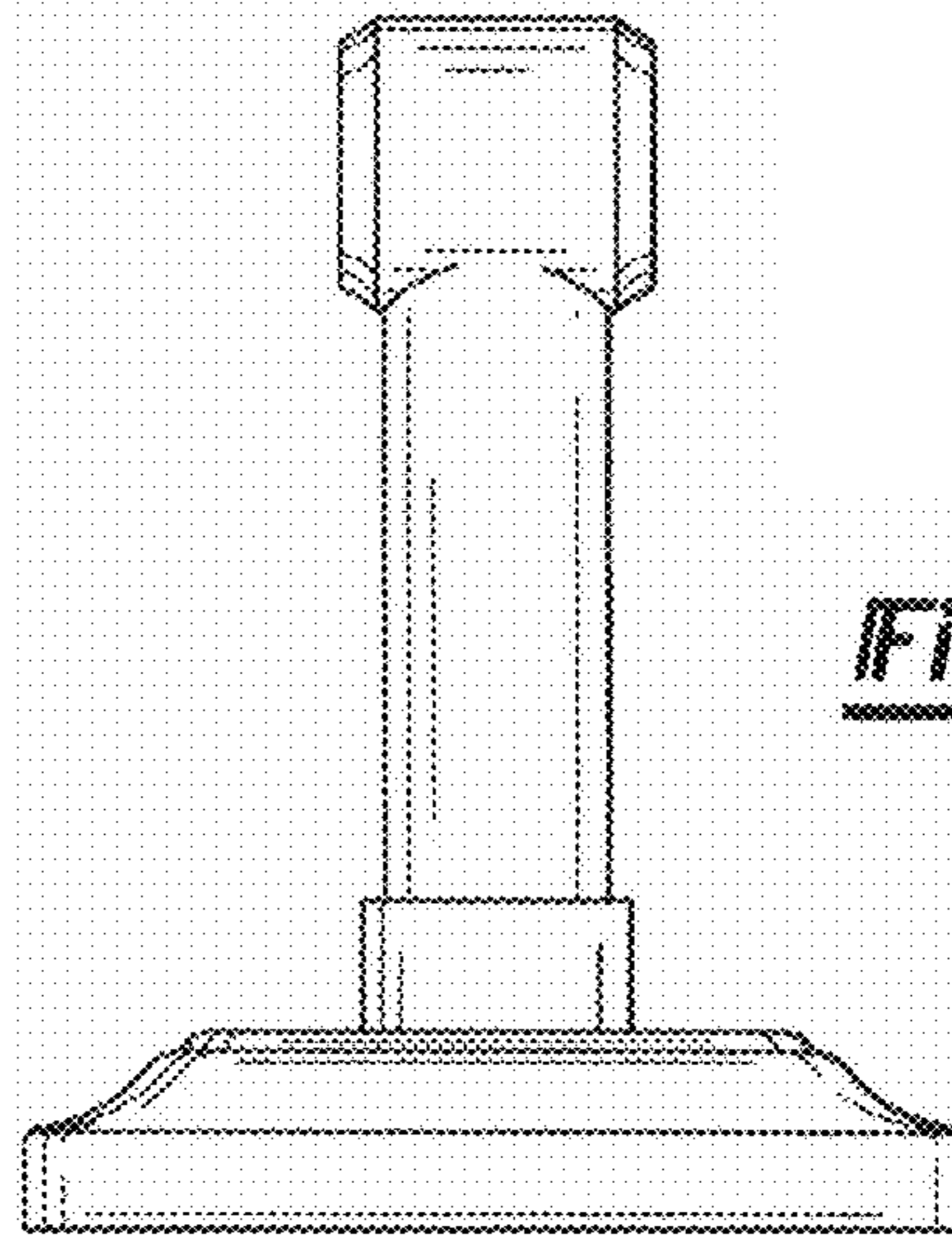


Fig-4