

US00D609511S

(12) **United States Design Patent**  
**Ladner**

(10) **Patent No.:** **US D609,511 S**

(45) **Date of Patent:** **\*\* Feb. 9, 2010**

(54) **SEAFOOD AND CRAWFISH TABLE**

(76) **Inventor:** **Billy M. Ladner**, 4426 A Ave., Long Beach, MS (US) 39560

(\*\*) **Term:** **14 Years**

(21) **Appl. No.:** **29/334,374**

(22) **Filed:** **Mar. 25, 2009**

(51) **LOC (9) Cl.** ..... **06-06**

(52) **U.S. Cl.** ..... **D6/511**

(58) **Field of Classification Search** ..... D6/480-489,  
D6/429-431, 511, 495, 496, 477, 479, 338,  
D6/461, 455; 108/150, 151, 152, 153.1,  
108/157.1, 161, 91; D7/552.2, 554.1

See application file for complete search history.

(56) **References Cited**

**U.S. PATENT DOCUMENTS**

D224,873 S *	10/1972	Martini .....	D6/484
D225,190 S *	11/1972	Van Syoc .....	D6/336
D228,106 S *	8/1973	Klotz et al. ....	D6/484
D236,054 S *	7/1975	Glunt .....	D6/479
D253,980 S *	1/1980	Schriever .....	D6/474
D406,713 S *	3/1999	Houk et al. ....	D6/511
D422,166 S *	4/2000	Black .....	D6/479

D511,639 S \* 11/2005 Boron et al. .... D6/511

\* cited by examiner

*Primary Examiner*—Janice E Seeger

(74) *Attorney, Agent, or Firm*—Butler, Snow, O'Mara, Stevens & Cannada PLLC

(57) **CLAIM**

I claim the ornamental design for a seafood and crawfish table, as shown and described.

**DESCRIPTION**

FIG. 1 is a perspective view of the seafood and crawfish table from above.

FIG. 2 is a perspective view of the seafood and crawfish table from below.

FIG. 3 is the front elevational view thereof.

FIG. 4 is the side elevational view thereof.

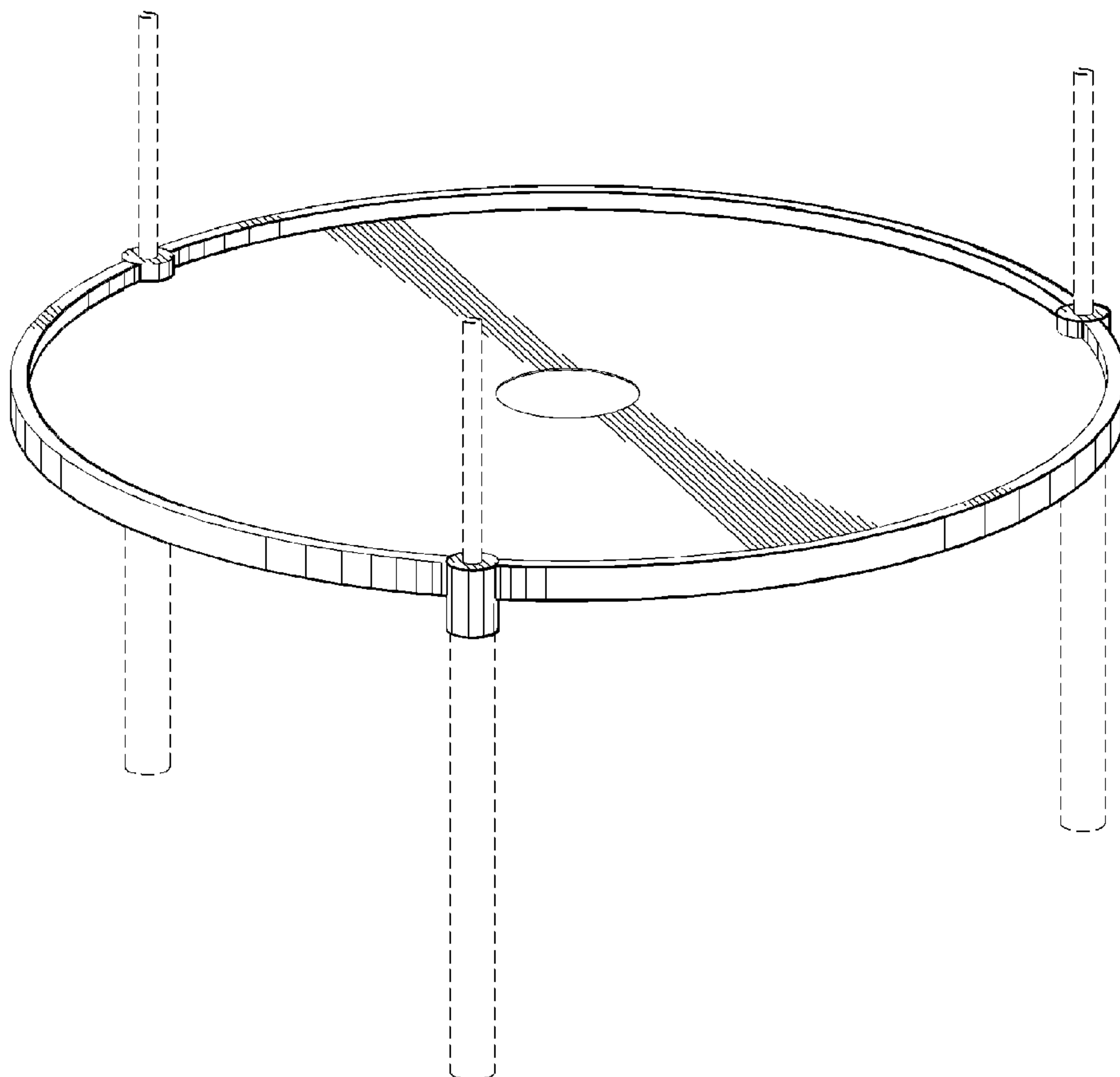
FIG. 5 is a rear elevational view.

FIG. 6 is a top plan view; and,

FIG. 7 is a bottom plan view.

The broken lines are for environmental purposes only and form no part of the claimed design.

**1 Claim, 7 Drawing Sheets**



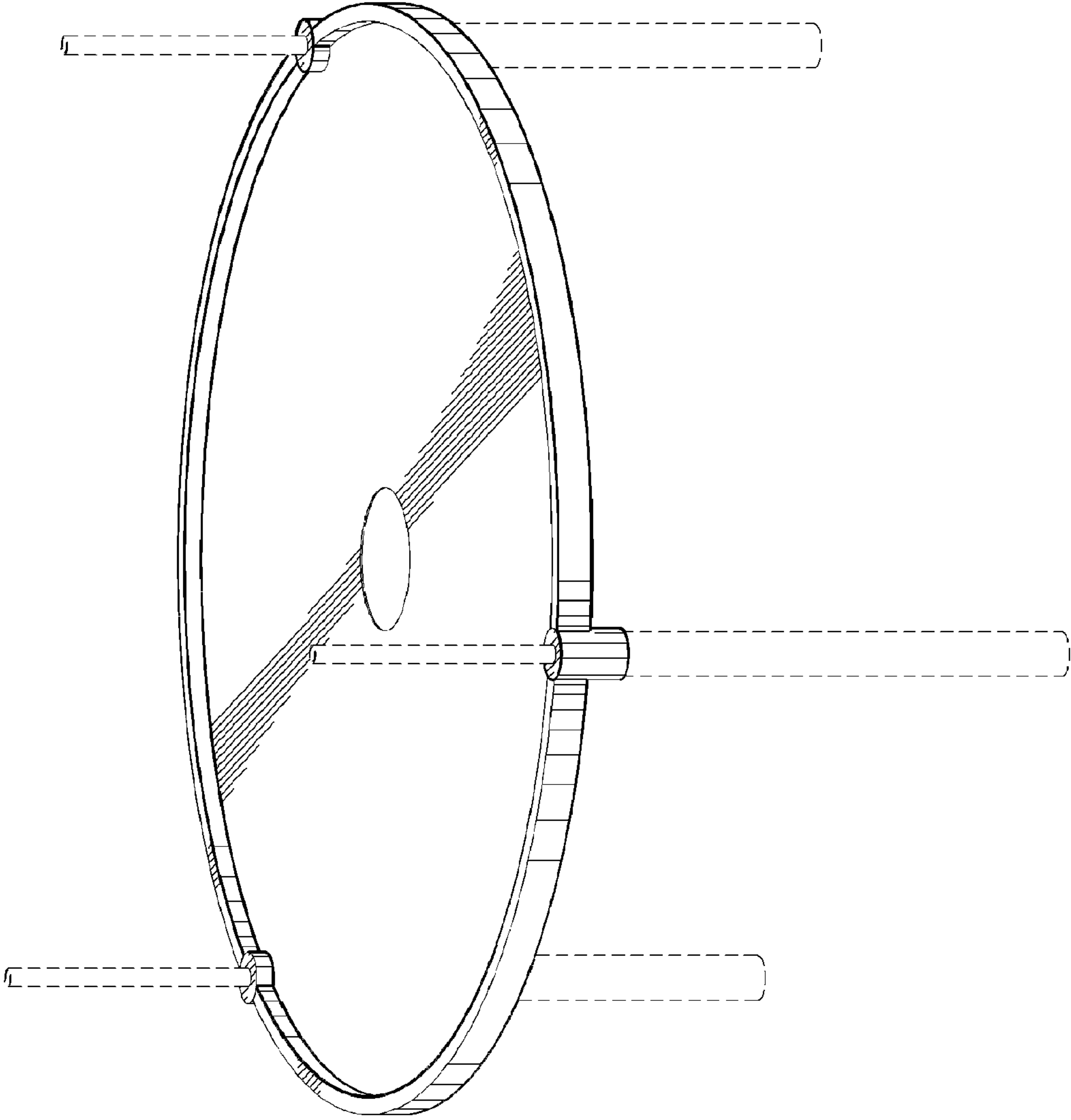


FIG. 1

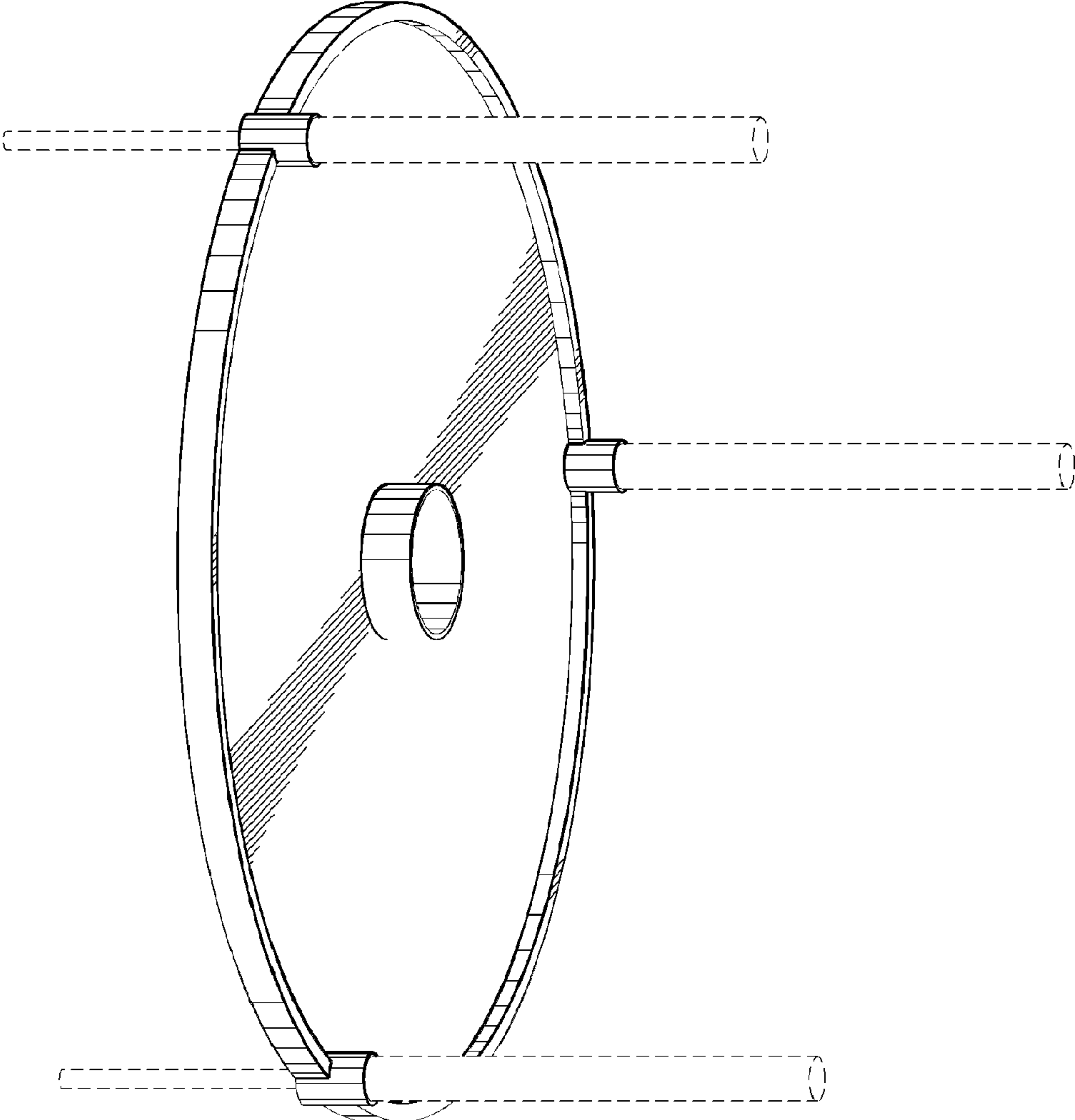


FIG. 2

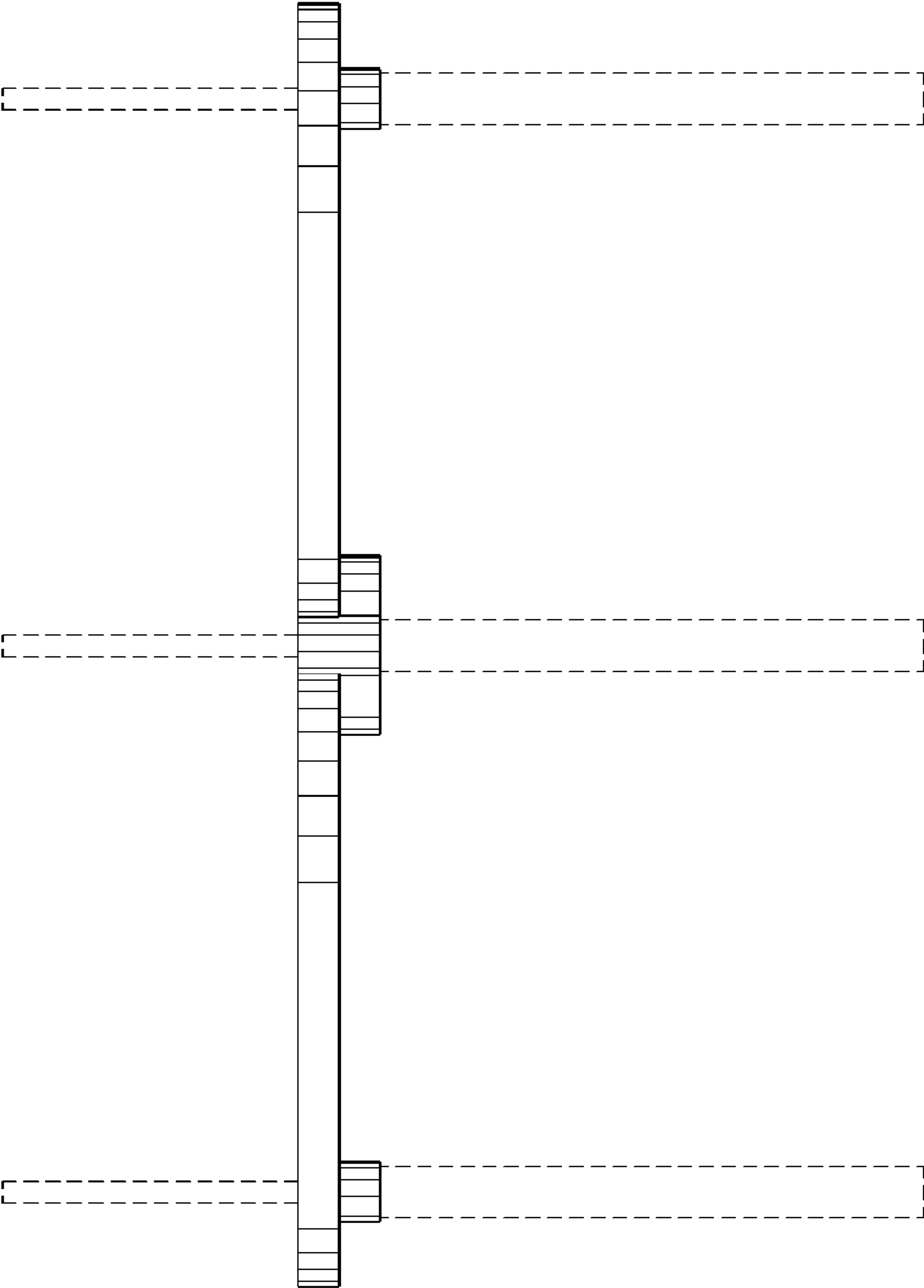


FIG. 3

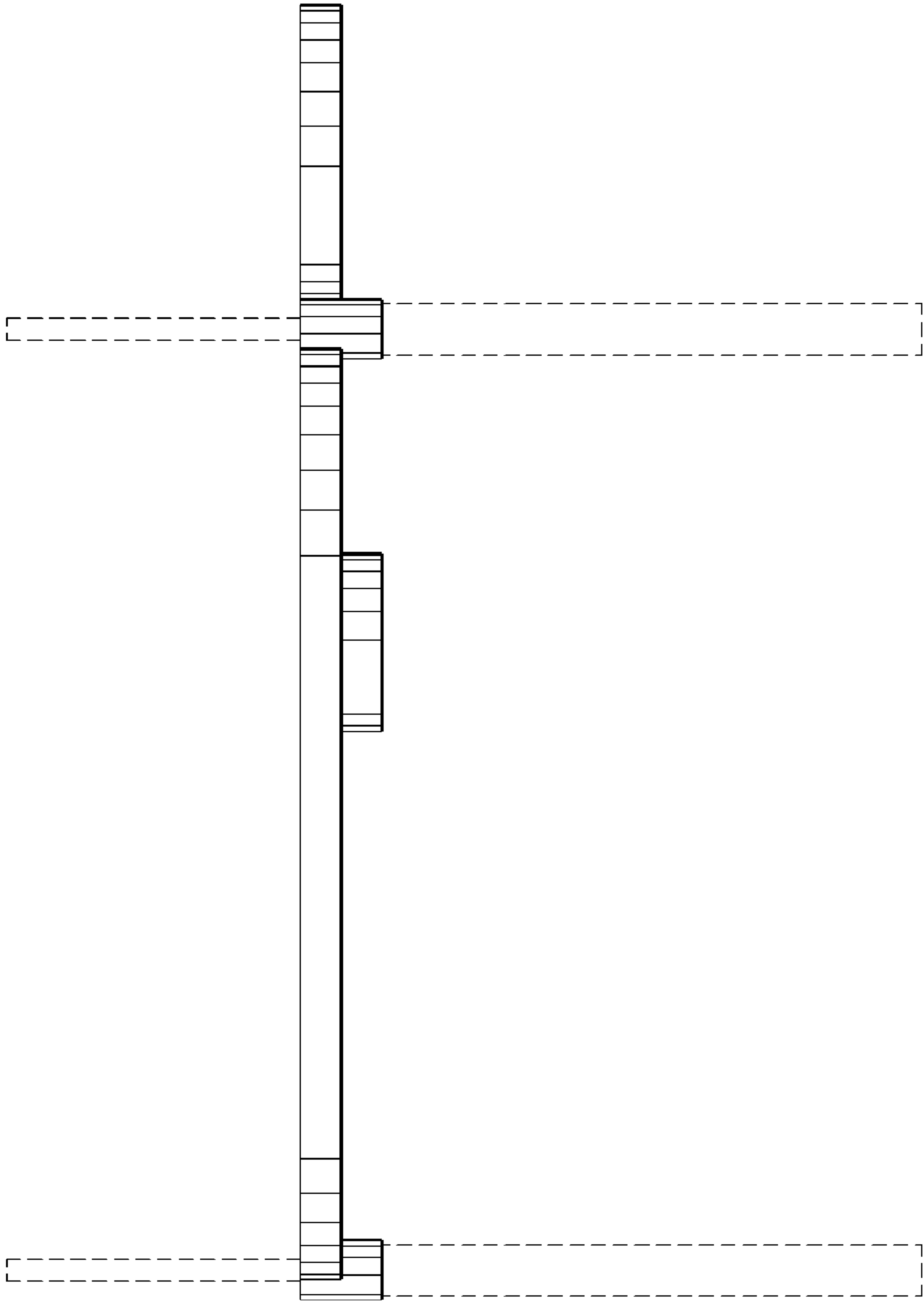


FIG. 4

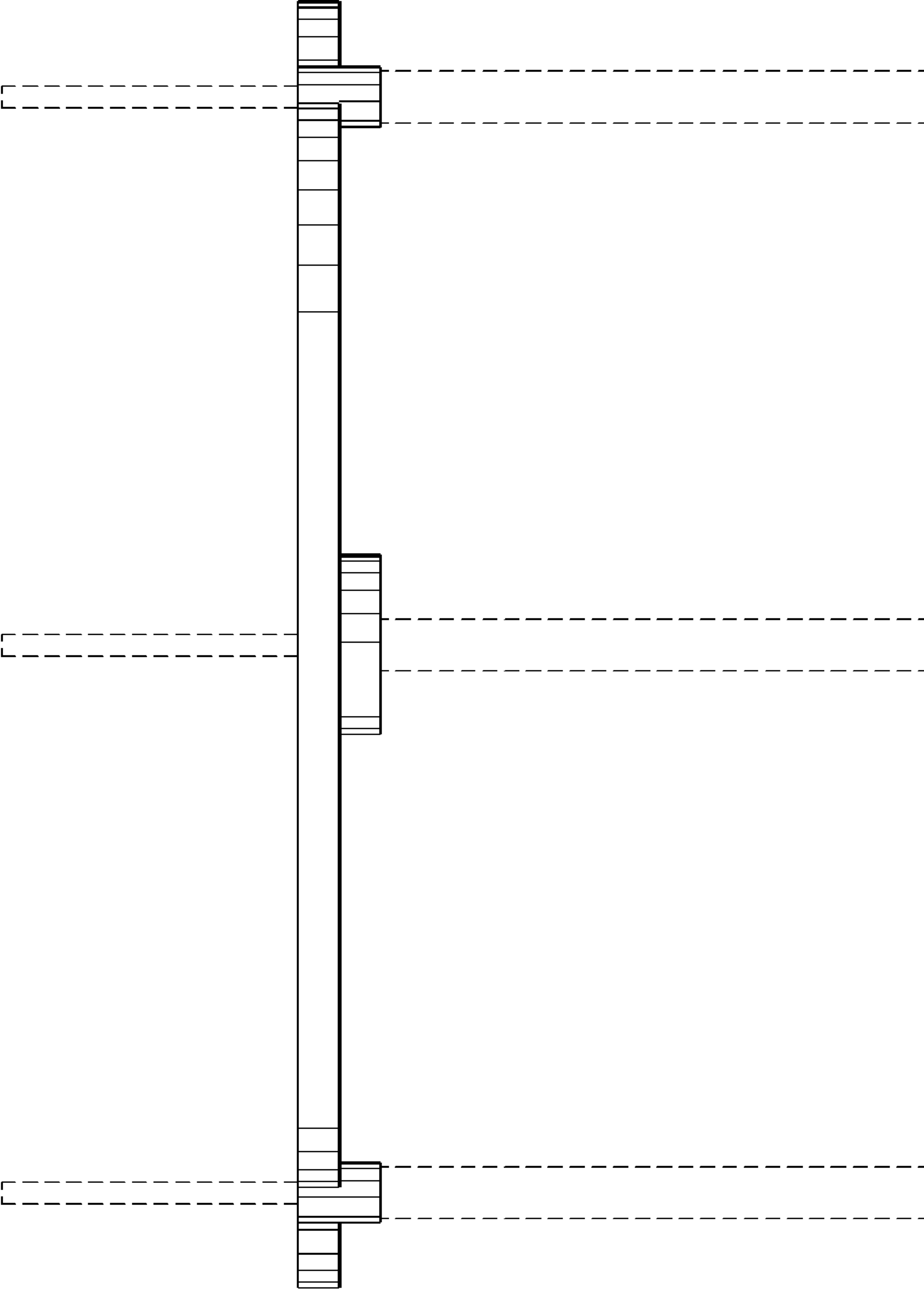


FIG. 5

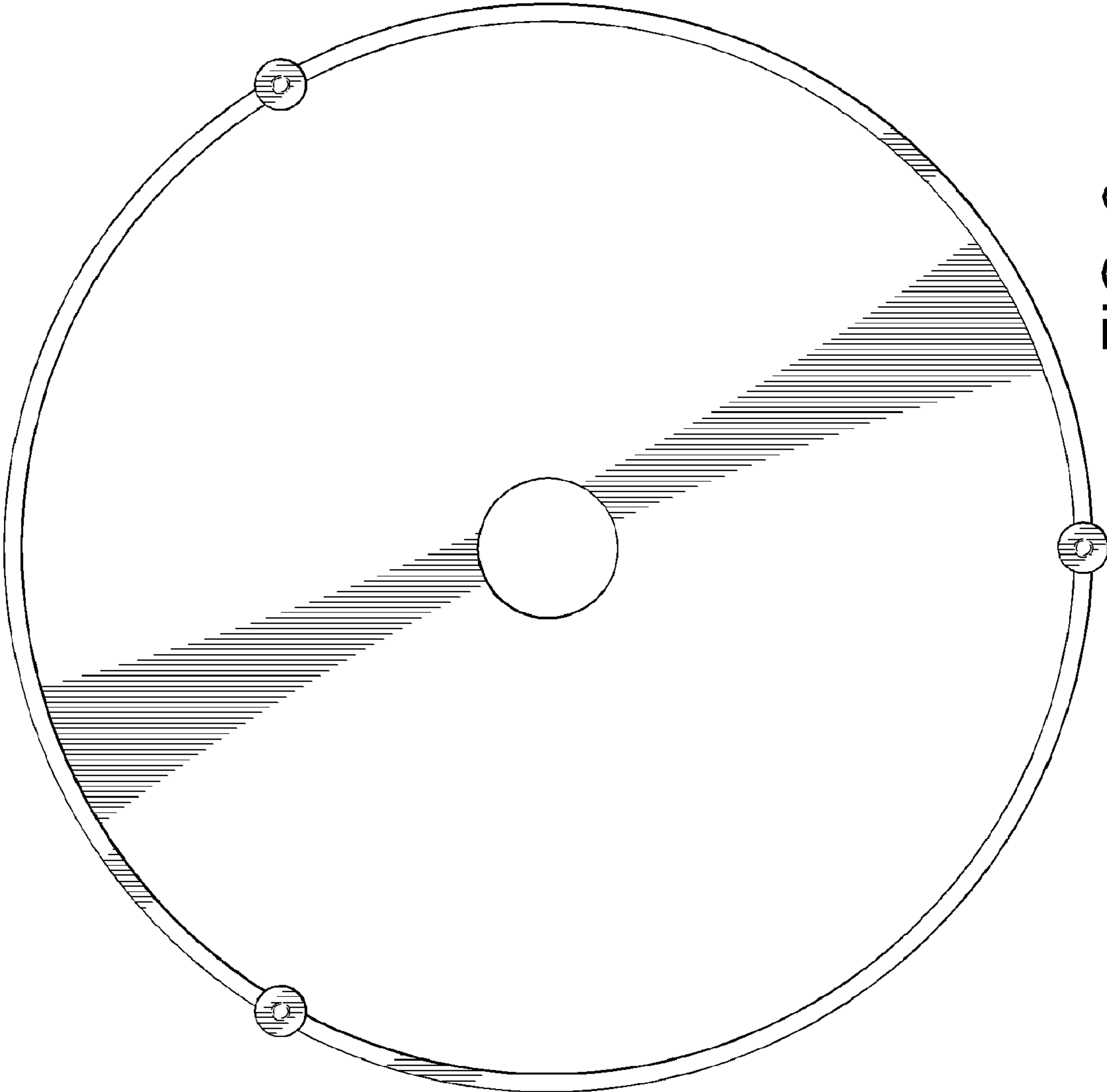


FIG. 6

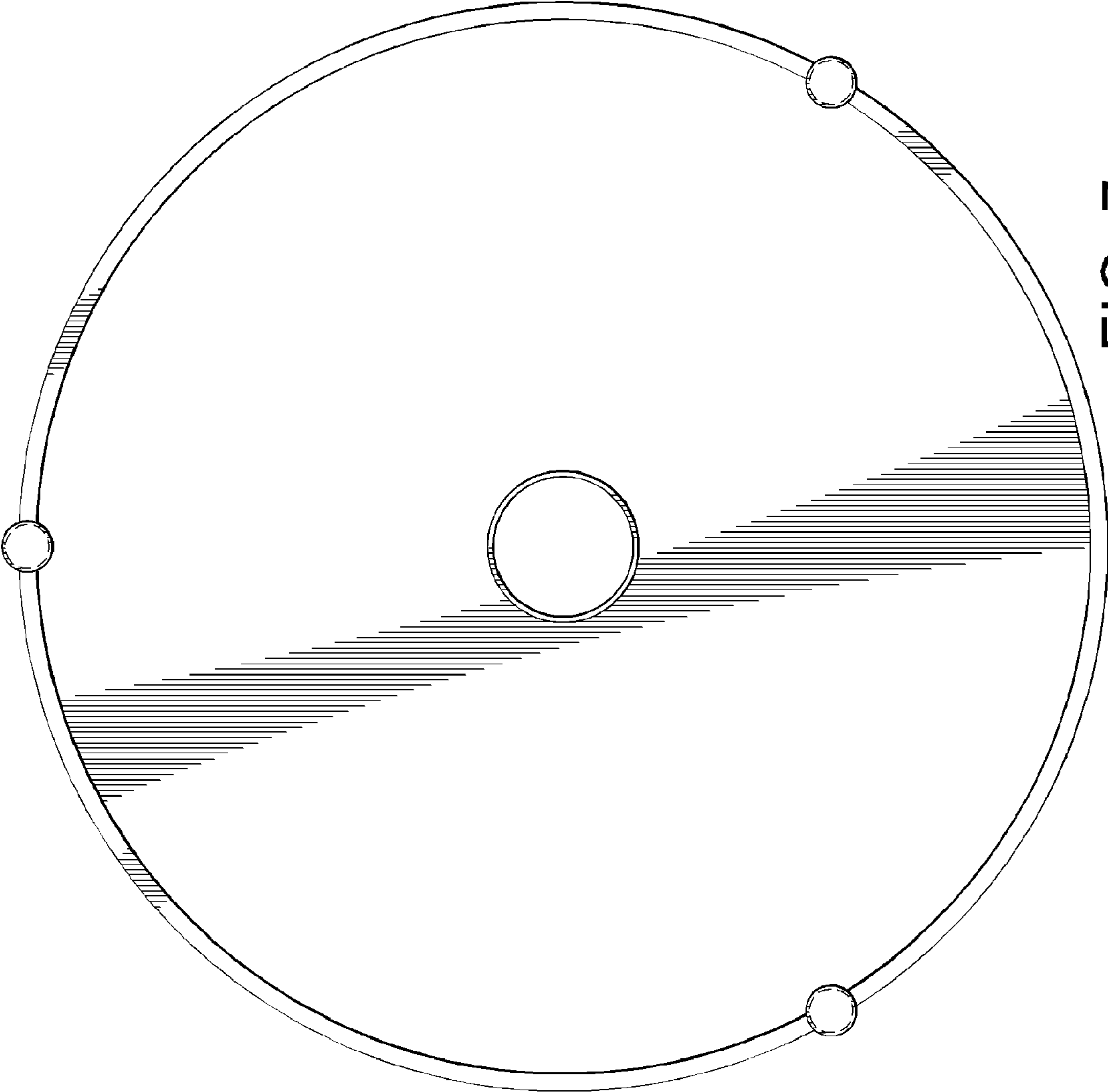


FIG. 7