



US00D609506S

(12) **United States Design Patent**  
**Adams et al.**

(10) **Patent No.:** **US D609,506 S**  
(45) **Date of Patent:** **\*\* Feb. 9, 2010**

(54) **DESK FRAME**

(75) Inventors: **Sumner Adams**, Corydon, IN (US); **Lon Amerman**, Louisville, KY (US); **Dan Seiler**, Cameron, TX (US)

(73) Assignee: **Royal Seating, LLC**, Cameron, TX (US)

(\*\*) Term: **14 Years**

(21) Appl. No.: **29/277,569**

(22) Filed: **Mar. 1, 2007**

(51) **LOC (9) Cl.** ..... **06-01**

(52) **U.S. Cl.** ..... **D6/500**

(58) **Field of Classification Search** ..... D6/334-338,  
D6/349, 355, 361, 368-370, 376, 379-381,  
D6/492, 495, 500-502; 297/16.1, 42, 94,  
297/135, 175, 232, 233, 350, 351, 445.1,  
297/448.1, 448.2, 451.9; 5/12.1, 12.2  
See application file for complete search history.

(56) **References Cited**

U.S. PATENT DOCUMENTS

D156,695	S	*	1/1950	Brafman	.....	D6/338
D169,012	S	*	3/1953	Musacco	.....	D6/338
2,661,049	A	*	12/1953	Sebel	.....	297/172
D178,989	S	*	10/1956	Ellert	.....	D6/338
D226,066	S	*	1/1973	Barocki	.....	D6/338
D283,563	S	*	4/1986	Arroyo	.....	D6/338
6,039,392	A	*	3/2000	Dencker	.....	297/172
D475,207	S	*	6/2003	Bosman et al.	.....	D6/338
D505,022	S	*	5/2005	Mills et al.	.....	D6/338
D507,890	S	*	8/2005	Mills et al.	.....	D6/336
D510,670	S	*	10/2005	Glass et al.	.....	D6/487
D513,892	S	*	1/2006	Glass et al.	.....	D6/338

D514,829	S	*	2/2006	Glass et al.	.....	D6/336
D521,282	S	*	5/2006	Glass et al.	.....	D6/500
D521,750	S	*	5/2006	Glass et al.	.....	D6/336
D521,751	S	*	5/2006	Glass et al.	.....	D6/338
D522,777	S	*	6/2006	Glass et al.	.....	D6/500
D523,265	S	*	6/2006	Glass et al.	.....	D6/500
7,059,670	B2	*	6/2006	Mills et al.	.....	297/174 R
D542,039	S	*	5/2007	Glass et al.	.....	D6/335

\* cited by examiner

*Primary Examiner*—Sandra Snapp

(74) *Attorney, Agent, or Firm*—George Tompkins; Tompkins PC

(57) **CLAIM**

The ornamental design for a desk frame, as shown and described.

**DESCRIPTION**

FIG. 1 is a perspective view of the desk frame of the present invention.

FIG. 2 is a side view of the desk frame of the present invention.

FIG. 3 is a front view of the desk frame of the present invention.

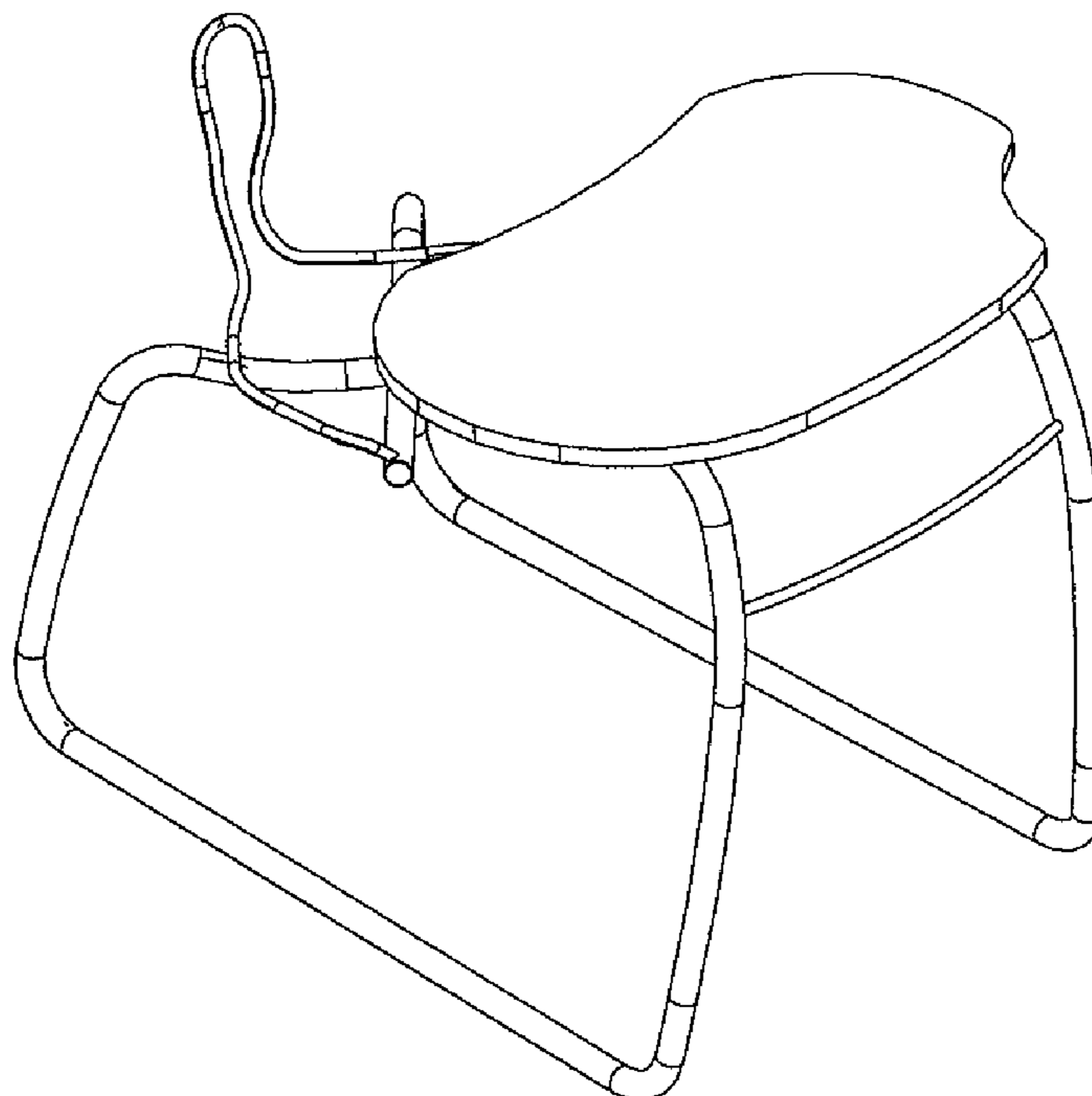
FIG. 4 is an opposite side view of the desk frame of the present invention.

FIG. 5 is a top view of the desk frame of the present invention.

FIG. 6 is a rear view of the desk frame of the present invention; and,

FIG. 7 is a bottom view of the desk frame of the present invention.

**1 Claim, 7 Drawing Sheets**



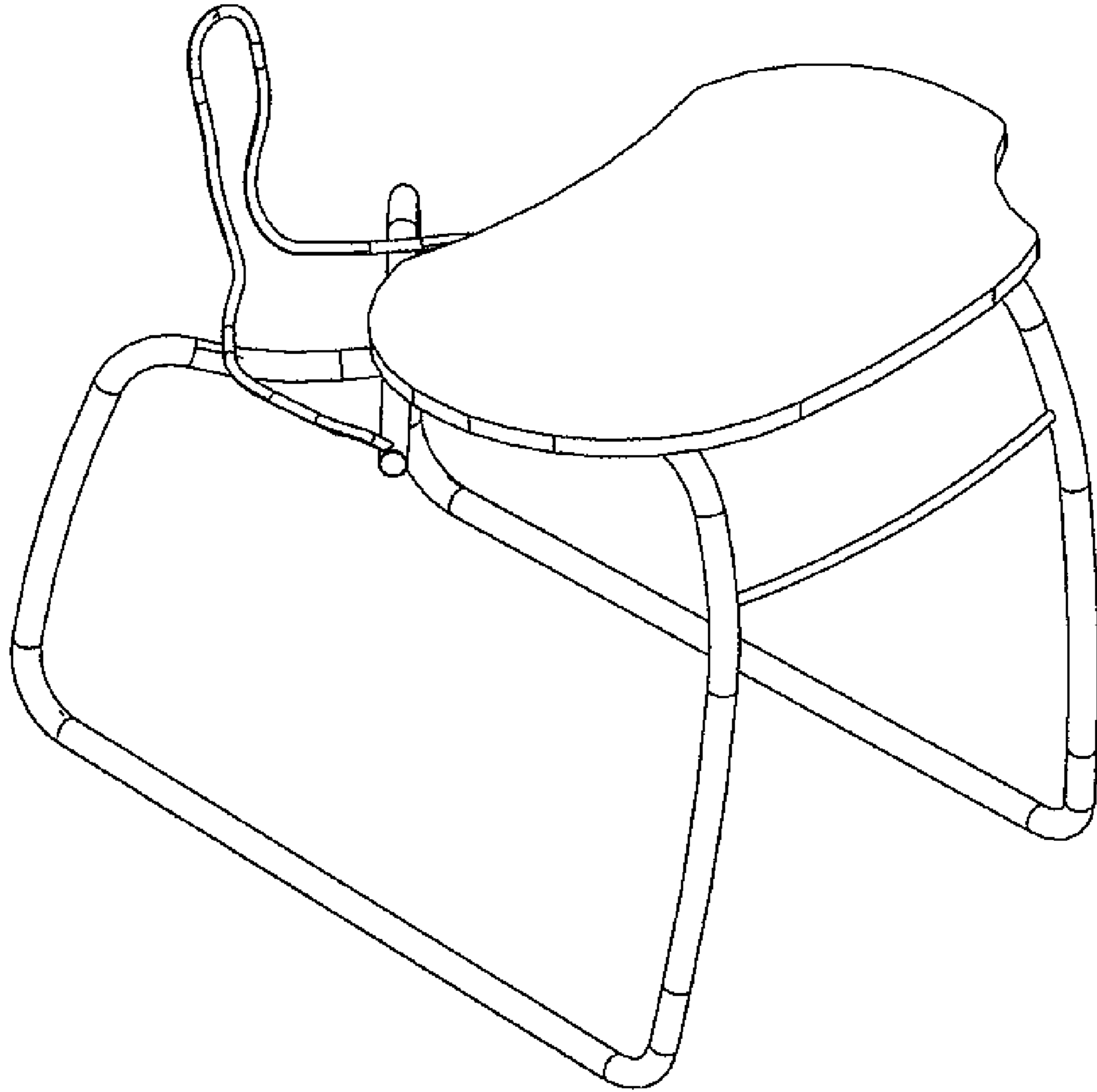


FIGURE 1

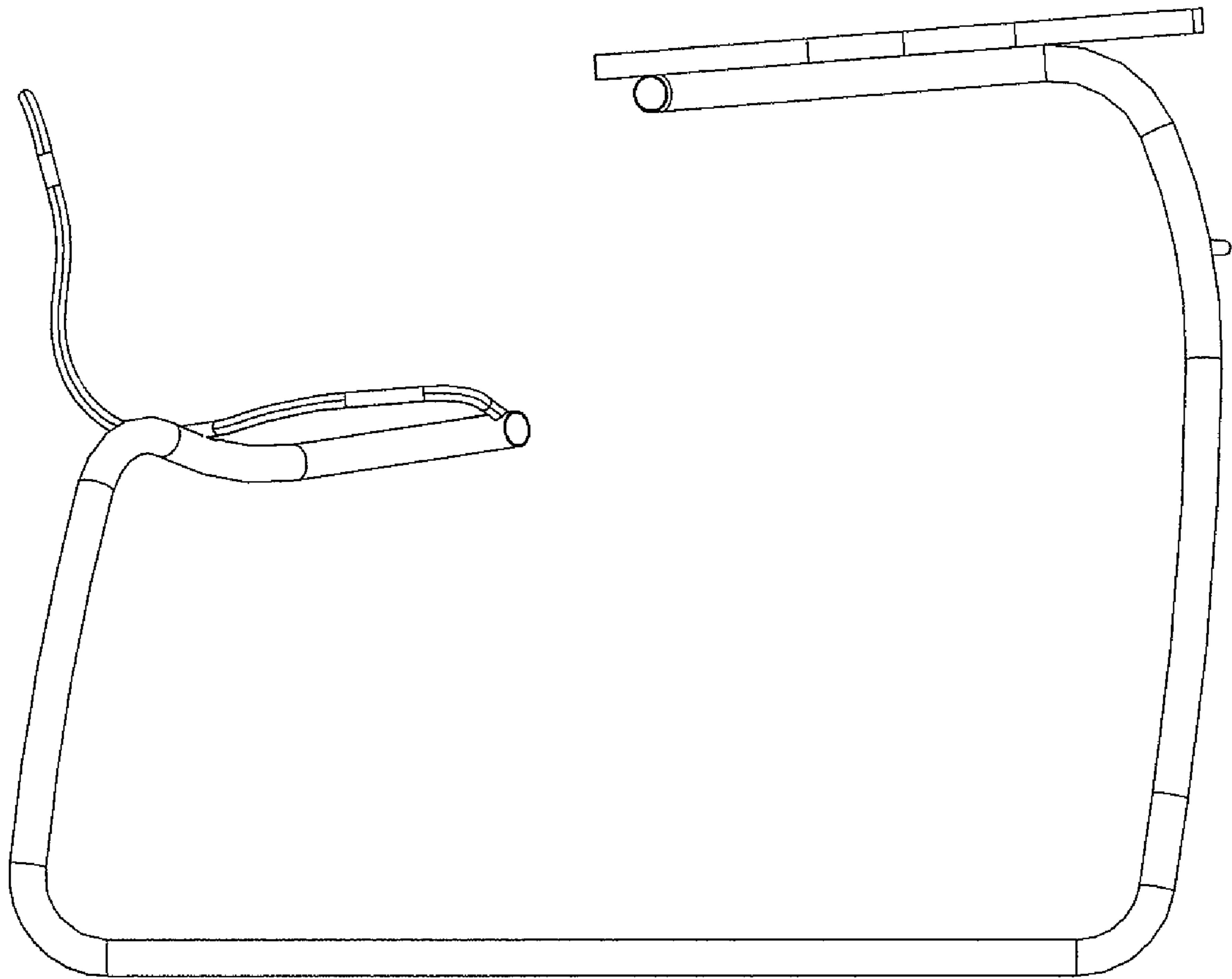


FIGURE 2

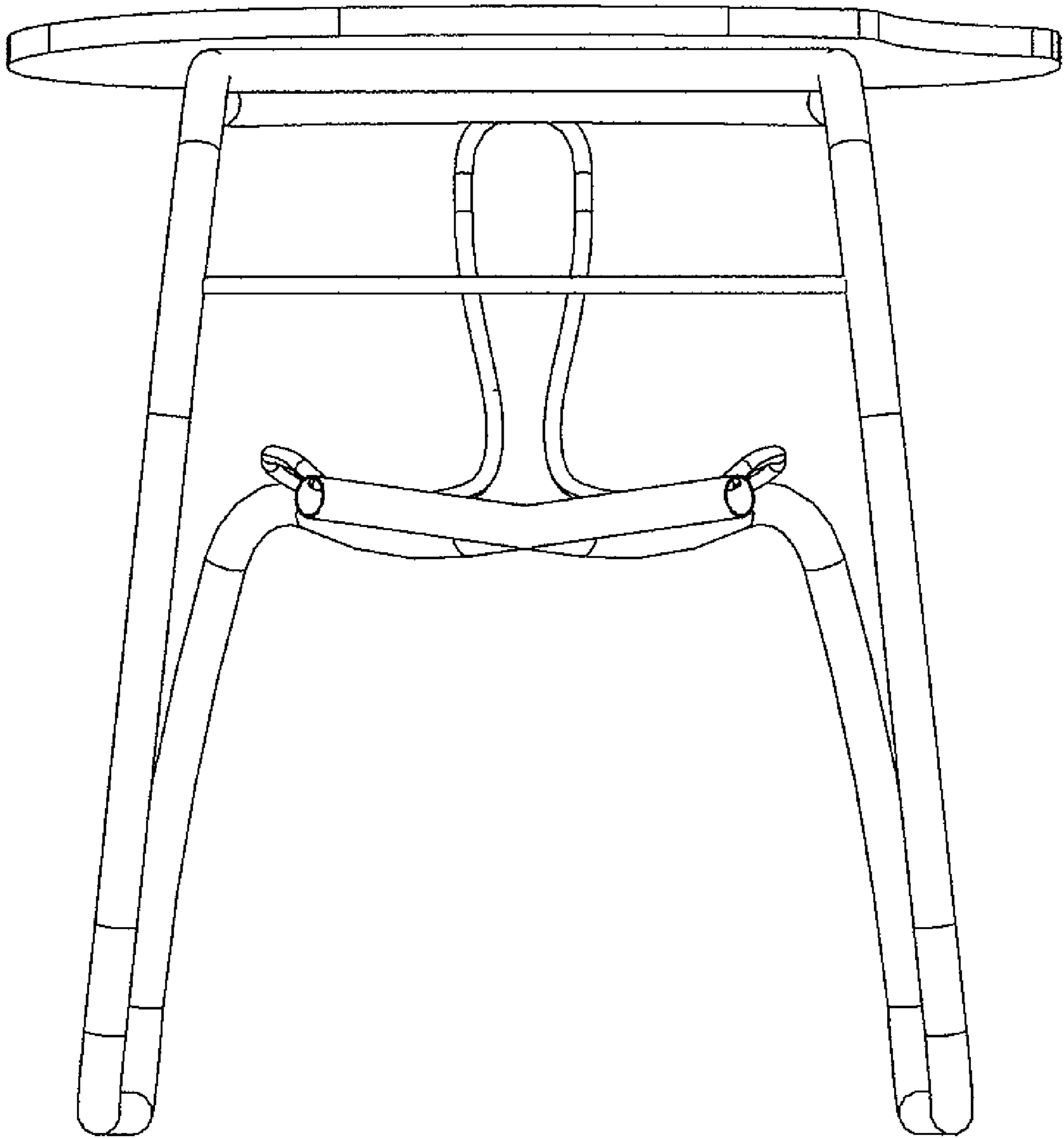


FIGURE 3

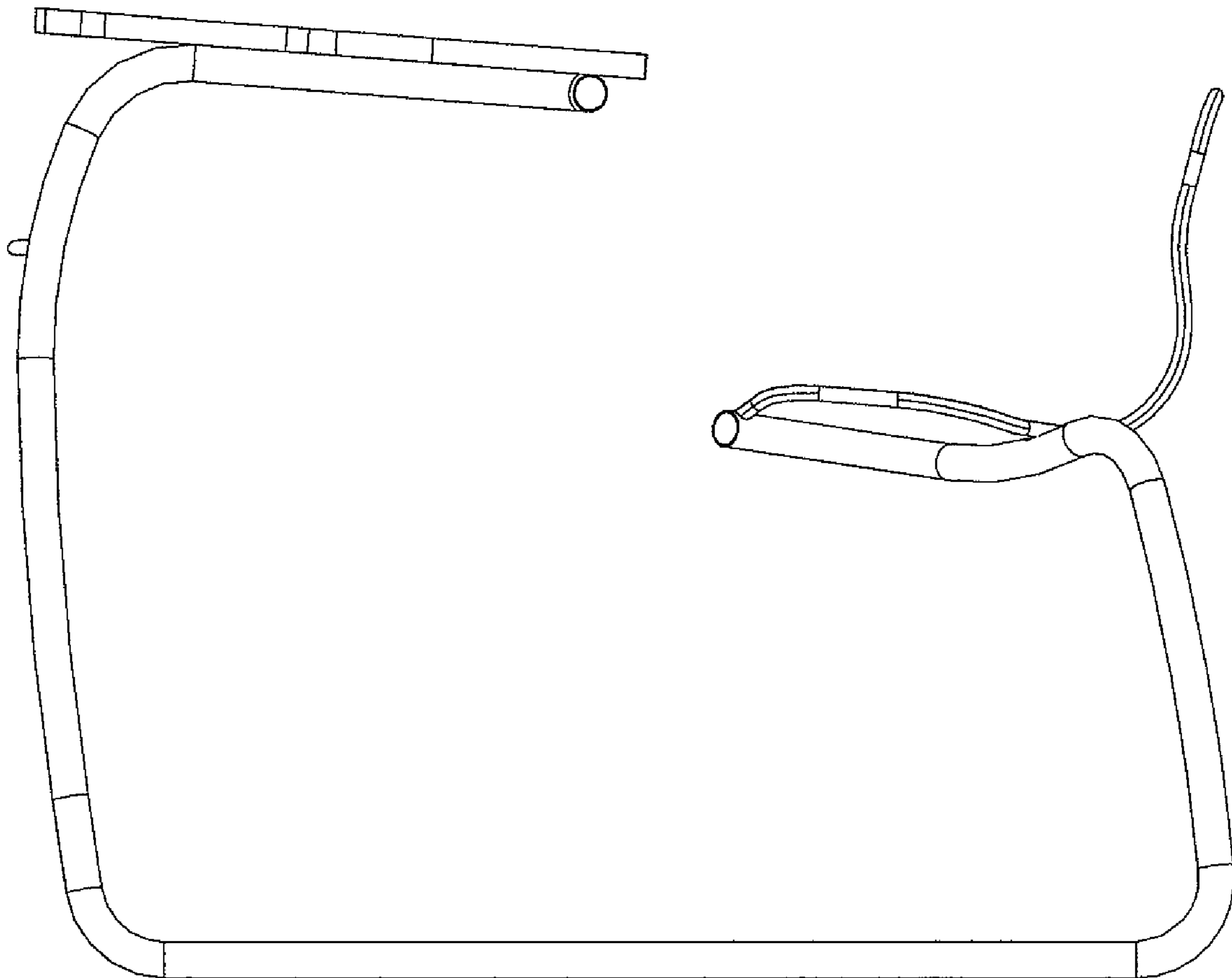


FIGURE 4

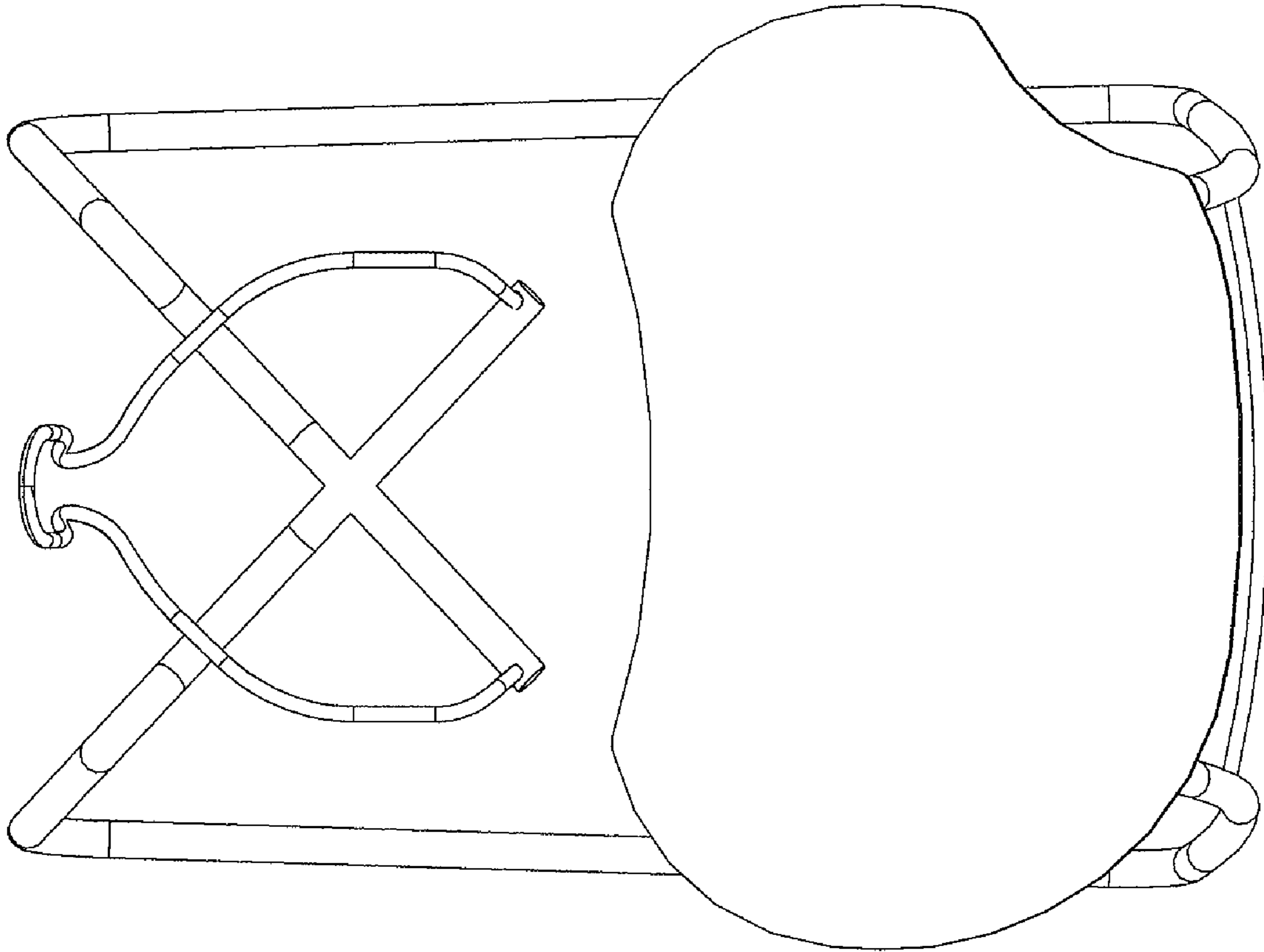


FIGURE 5

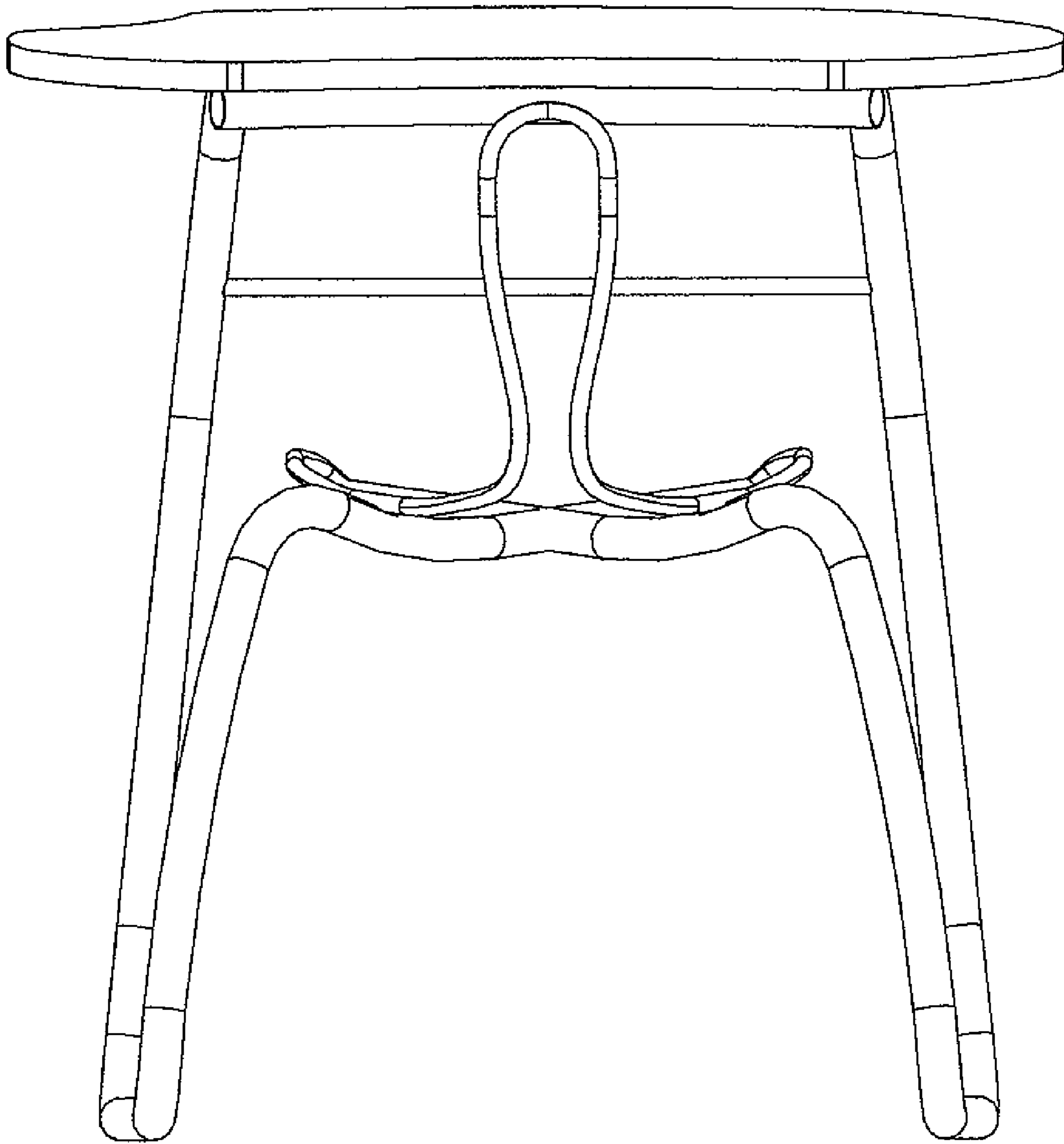


FIGURE 6

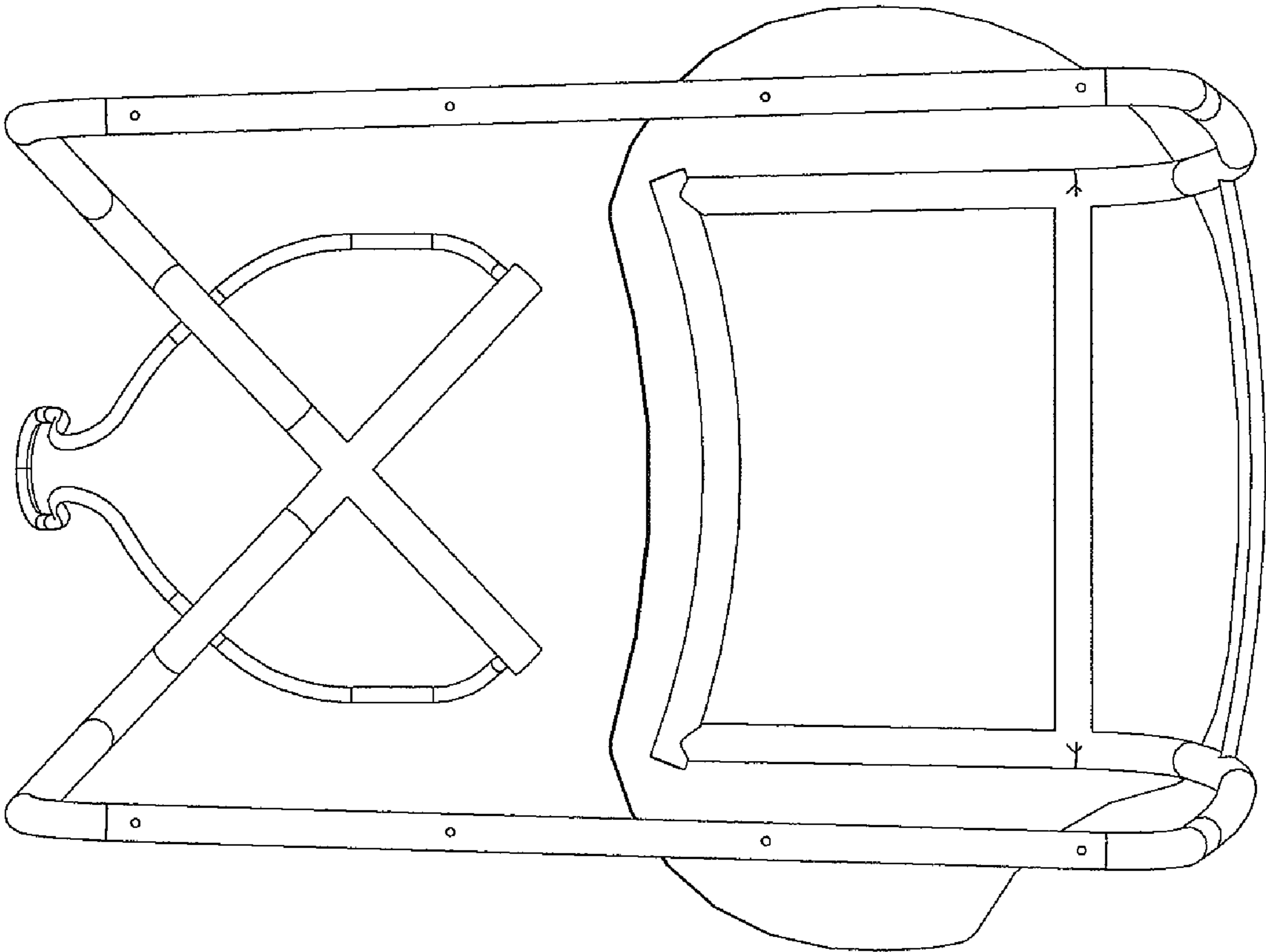


FIGURE 7