



US00D609505S

(12) **United States Design Patent**
Phookan et al.

(10) **Patent No.:** **US D609,505 S**

(45) **Date of Patent:** **** Feb. 9, 2010**

(54) **TABLE**

(76) Inventors: **Nandinee Phookan**, 45 Main St., Suite 228, Brooklyn, NY (US) 11201; **Emily Amanda Sprague**, 45 Main St., Suite 228, Brooklyn, NY (US) 11201; **Molly Joe Felde**, 45 Main St., Suite, Brooklyn, NY (US) 11201

(**) Term: **14 Years**

(21) Appl. No.: **29/333,671**

(22) Filed: **Mar. 12, 2009**

(51) **LOC (9) Cl.** **06-03**

(52) **U.S. Cl.** **D6/485; D6/489**

(58) **Field of Classification Search** D6/480-489,
D6/429-431, 511, 495, 496; 108/150, 151,
108/152, 153.1, 157.1, 161; 248/188, 188.1,
248/188.8

See application file for complete search history.

(56) **References Cited**

U.S. PATENT DOCUMENTS

D219,520 S * 12/1970 Gilbert D6/483

D227,329 S * 6/1973 Grossman D6/485
D253,624 S * 12/1979 Browne D6/483
D268,384 S * 3/1983 Rosen D6/484
D497,744 S * 11/2004 Portugal D6/485

* cited by examiner

Primary Examiner—Janice E Seeger

(74) *Attorney, Agent, or Firm*—LaMorte & Associates

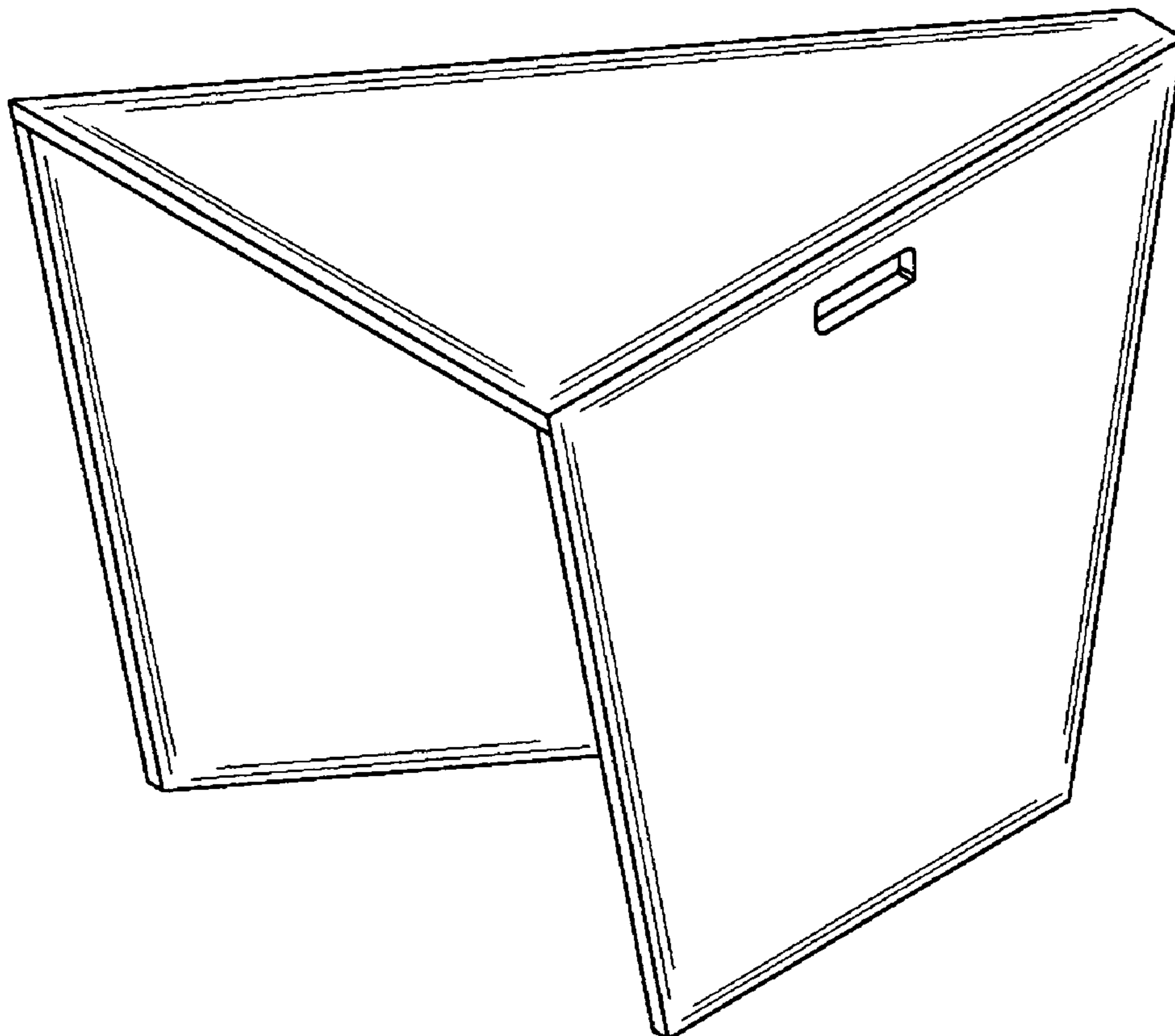
(57) **CLAIM**

The ornamental design for a table, as shown and described.

DESCRIPTION

FIG. 1 is a perspective view of a table;
FIG. 2 is a top view thereof;
FIG. 3 is a bottom view thereof;
FIG. 4 is a front view thereof;
FIG. 5 is a back view thereof; and,
FIG. 6 is a right side view thereof, the left side view being the same.

1 Claim, 6 Drawing Sheets



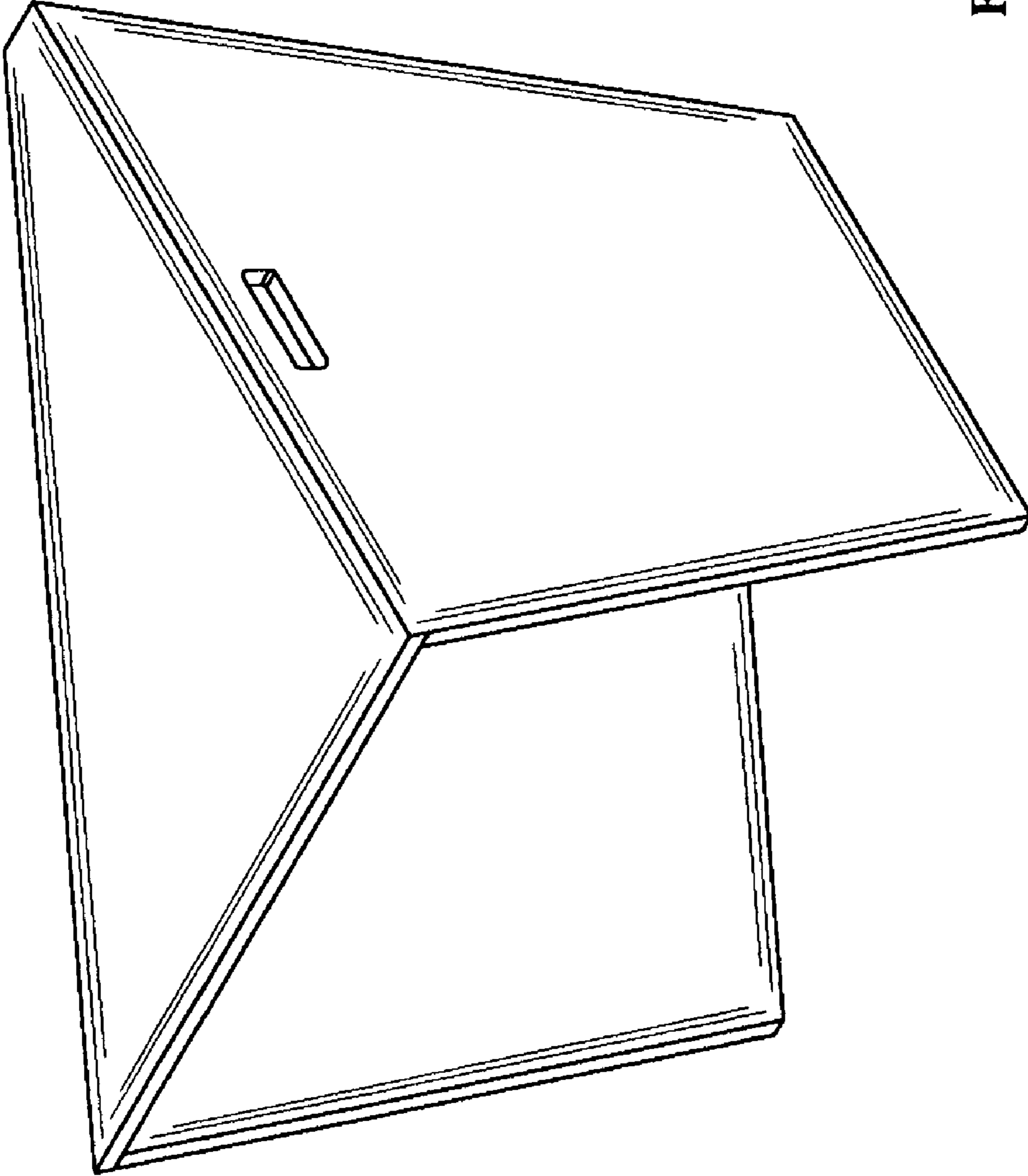


FIG. 1

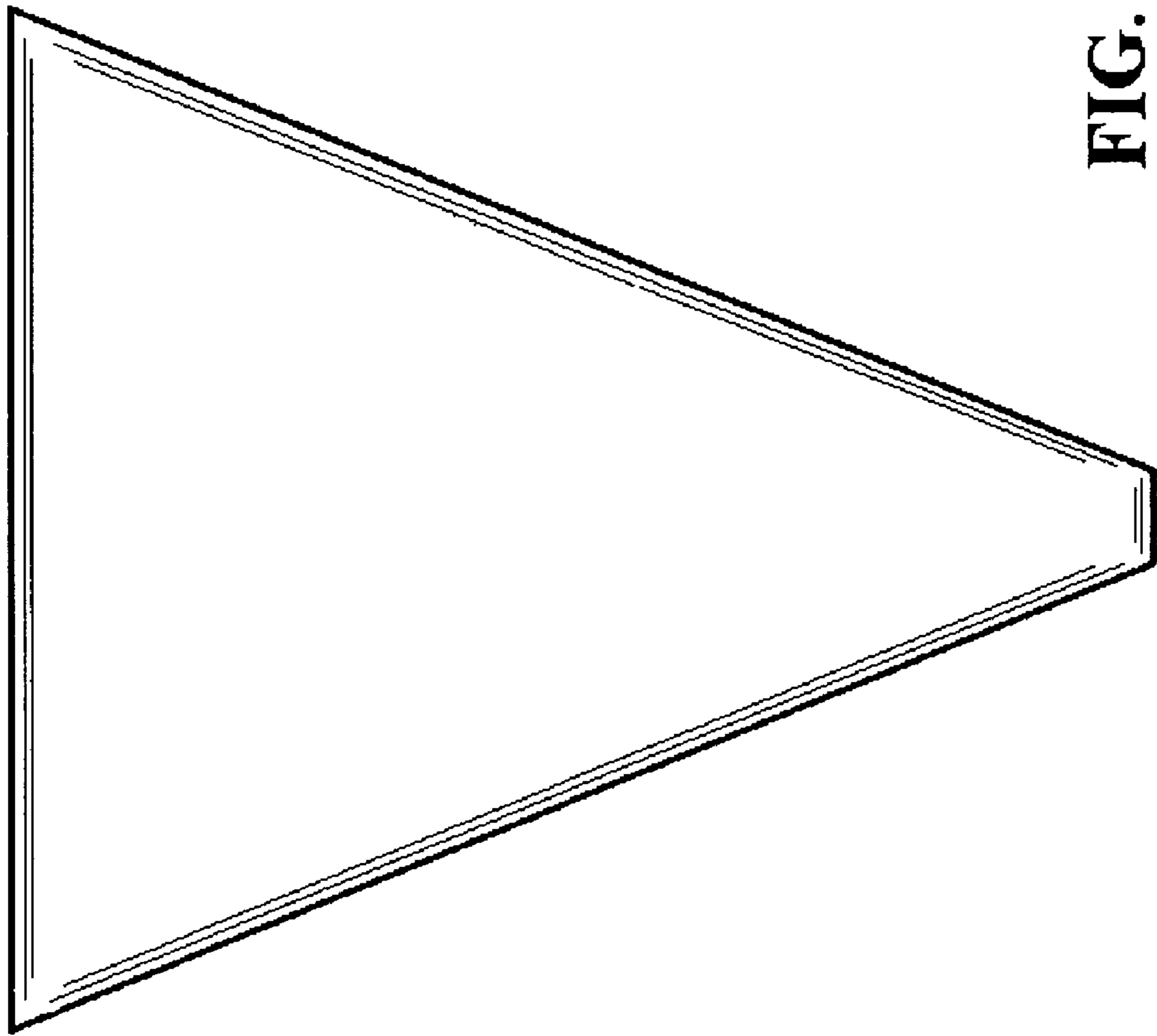


FIG. 2

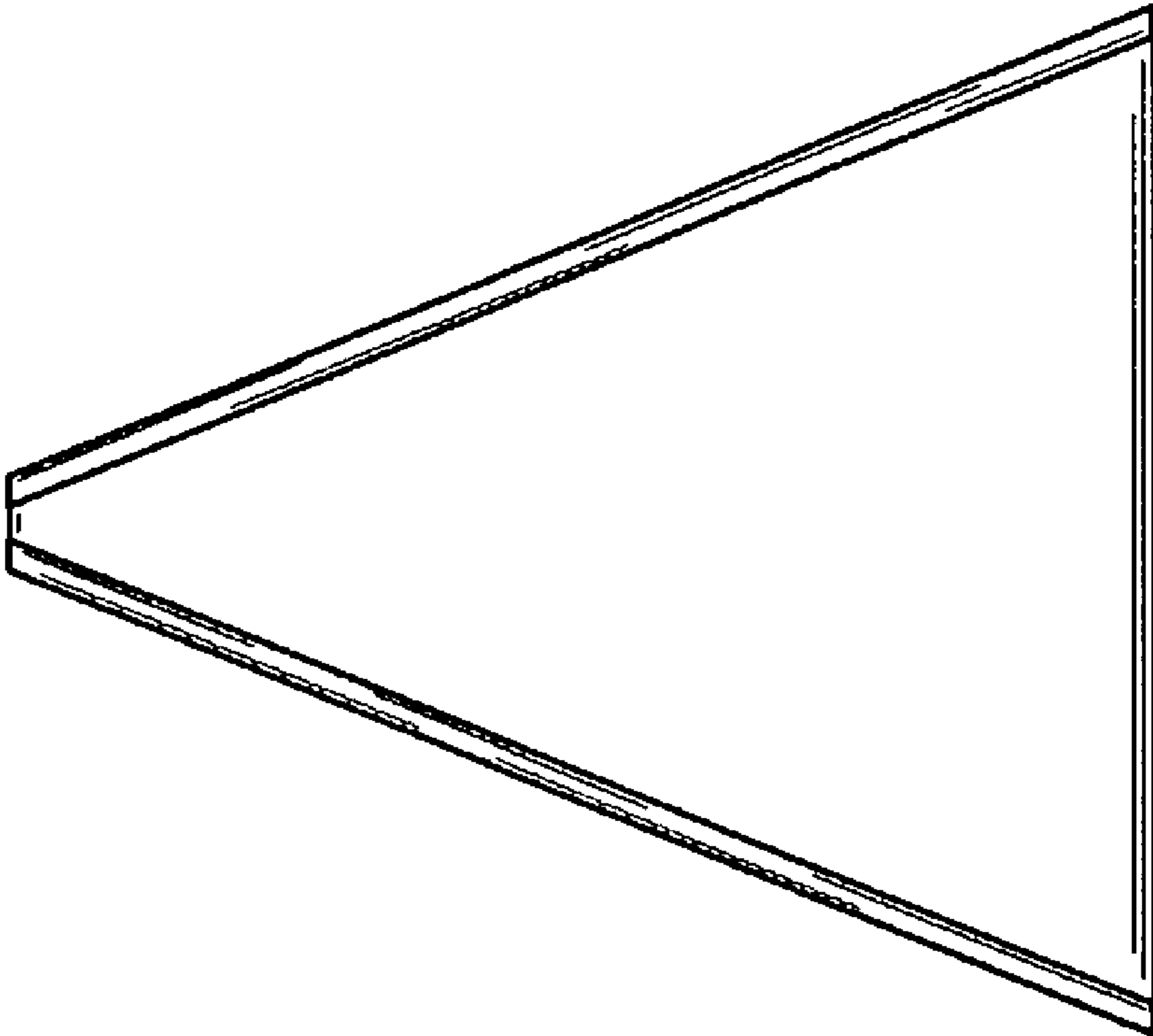


FIG. 3

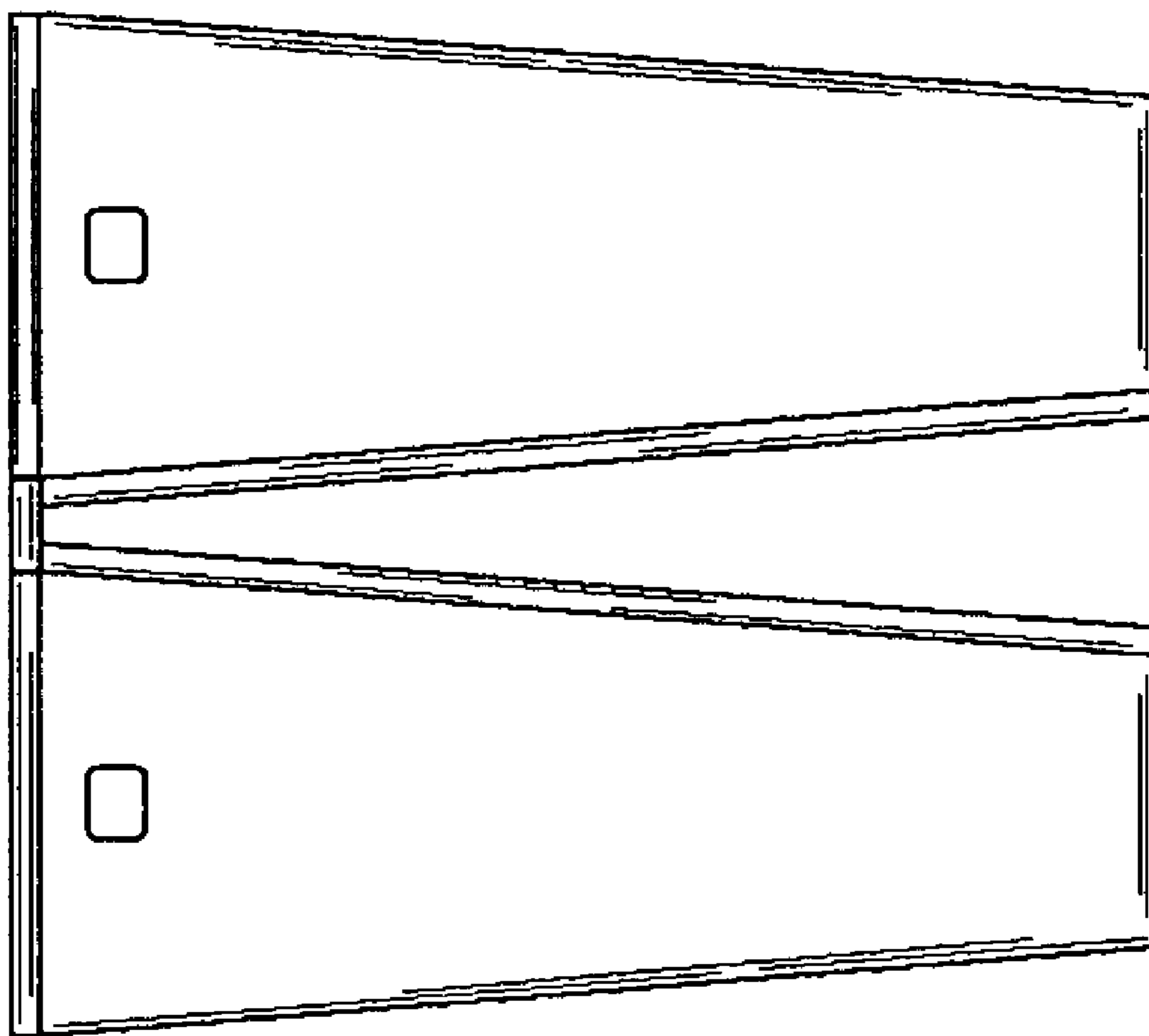


FIG. 4

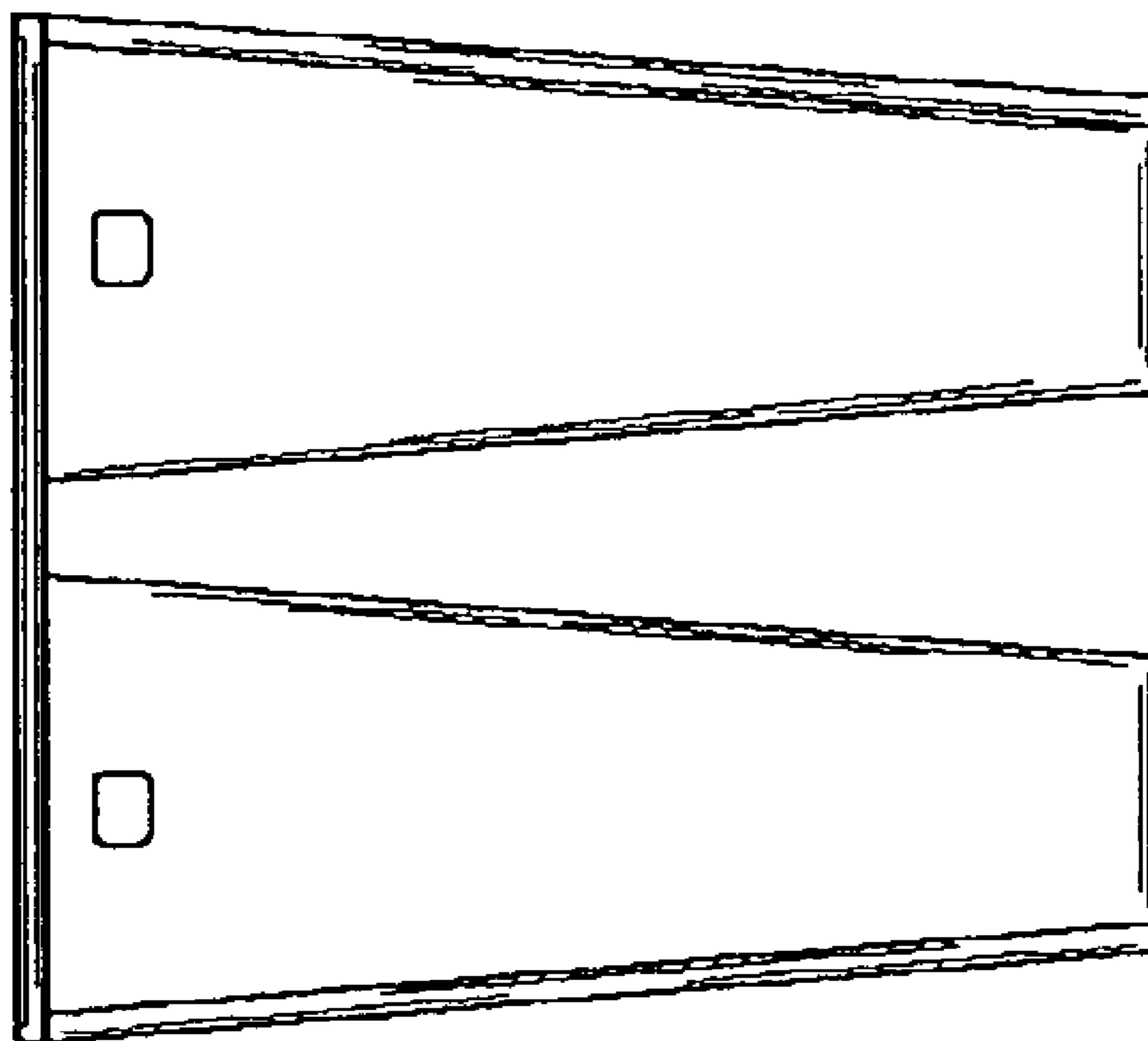


FIG. 5

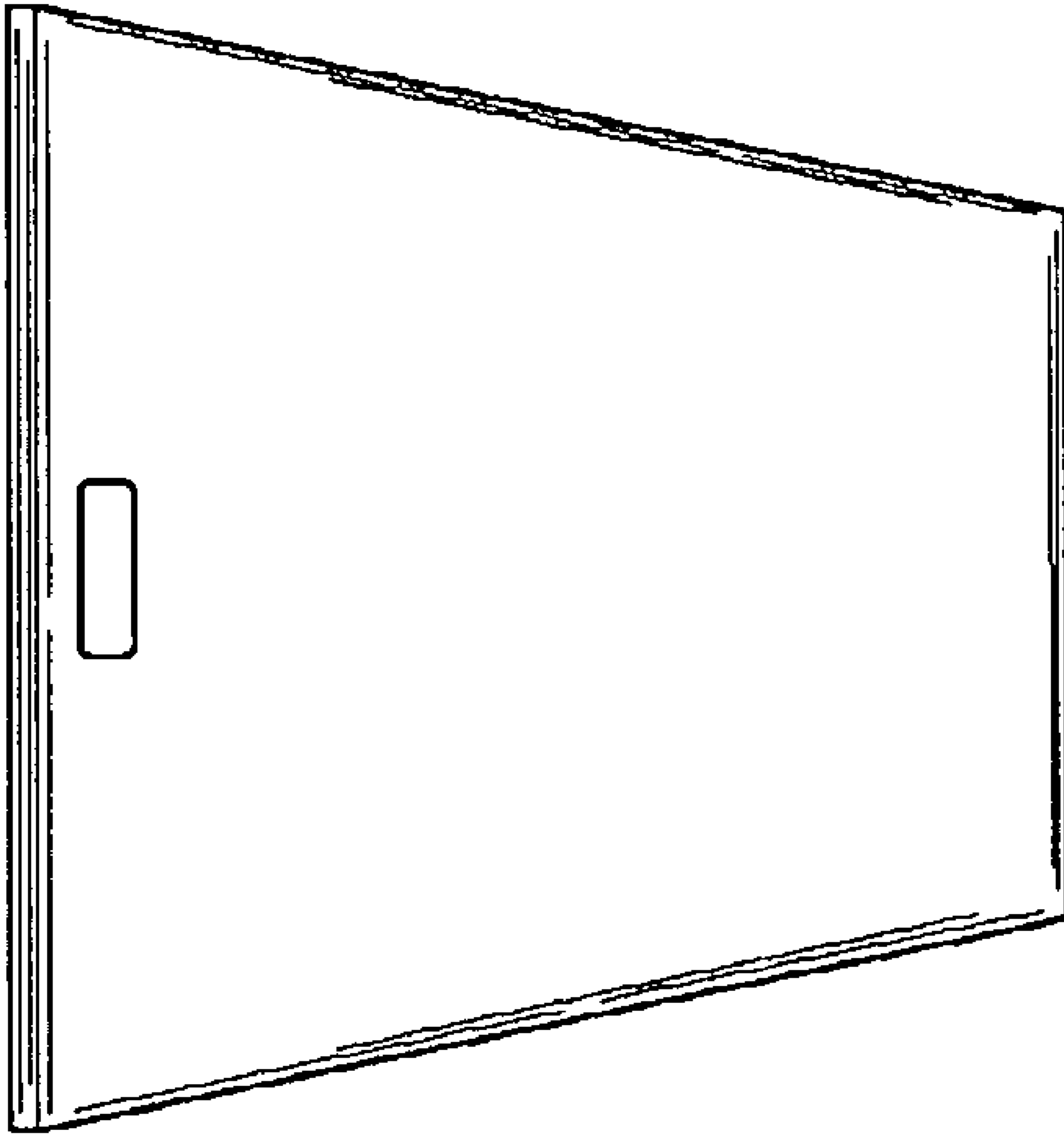


FIG. 6