



US00D609504S

(12) **United States Design Patent**
Petrossian

(10) **Patent No.:** **US D609,504 S**

(45) **Date of Patent:** **** *Feb. 9, 2010**

(54) **BAR**
(75) Inventor: **Armen Armenak Petrossian**, Paris (FR)
(73) Assignee: **Caviar Petrossian**, Paris (FR)
(**) Term: **14 Years**
(21) Appl. No.: **29/301,859**
(22) Filed: **Mar. 20, 2008**

D489,549 S * 5/2004 D'Oria et al. D6/480

* cited by examiner

Primary Examiner—Janice E Seeger
(74) *Attorney, Agent, or Firm*—Hedman & Costigan, P.C.

(57) **CLAIM**

I claim the ornamental design for a bar, as shown and described.

(30) **Foreign Application Priority Data**
Nov. 27, 2007 (FR) 07 5377
(51) **LOC (9) Cl.** **06-03**
(52) **U.S. Cl.** **D6/481; D6/397**
(58) **Field of Classification Search** D6/480-489,
D6/495-499, 429-431, 511, 397; 108/150,
108/153.1, 156, 157.1, 161, 50.01, 50.02;
248/188, 188.1, 188.7, 188.8; 312/140.1,
312/140.2

DESCRIPTION

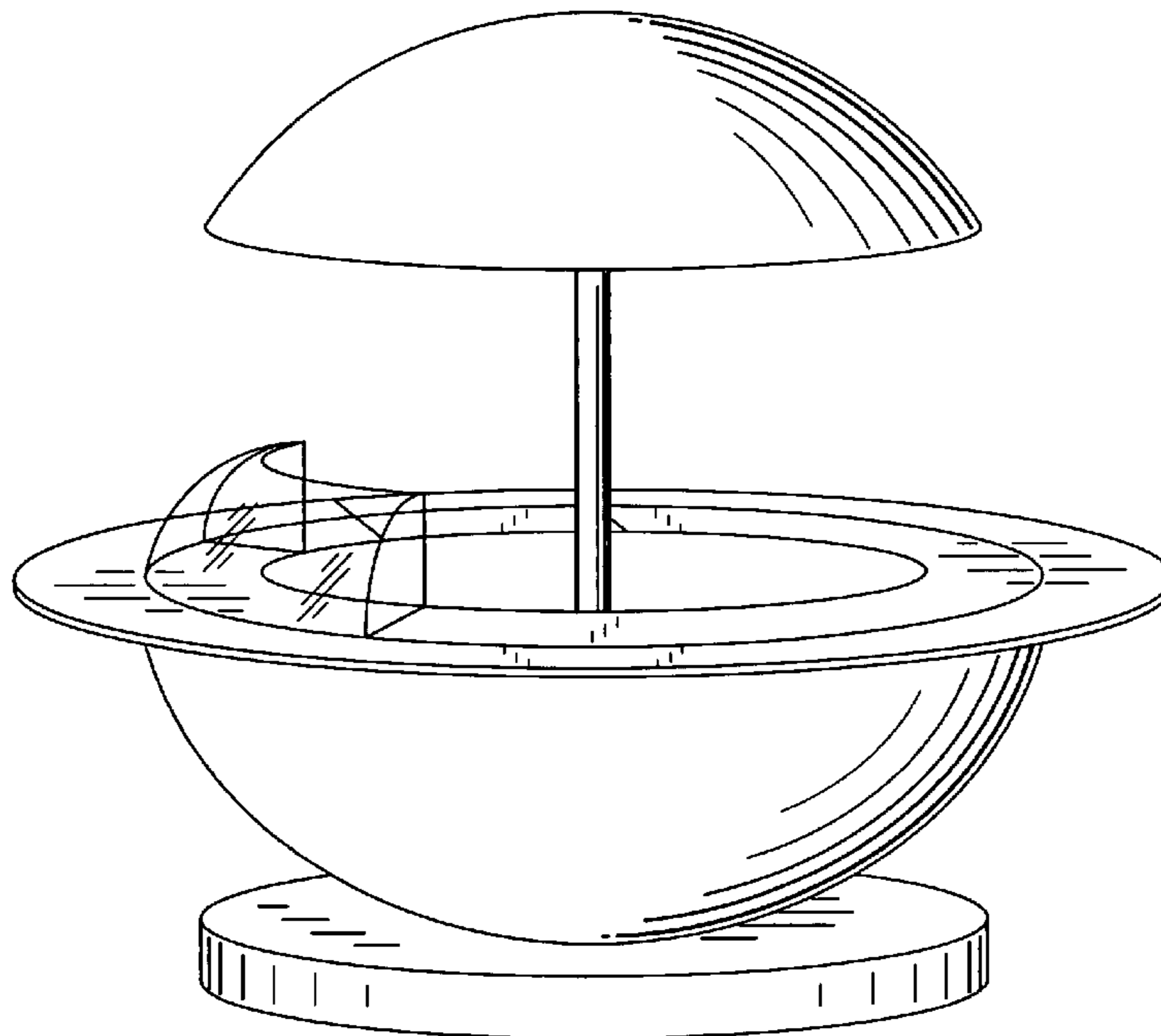
FIG. 1 is a front elevation view of the bar of the present invention.
FIG. 2 is a rear elevation view of the bar of the present invention.
FIG. 3 is a right elevation view of the bar of the present invention.
FIG. 4 is a left elevation view of the bar of the present invention.
FIG. 5 is a top plan view of the bar of the present invention.
FIG. 6 is a bottom plan view of the bar of the present invention; and,
FIG. 7 is a perspective view thereof.

See application file for complete search history.

The broken lines are for environmental purposes only and form no part of the claimed design.

(56) **References Cited**
U.S. PATENT DOCUMENTS
D236,397 S * 8/1975 Kramer D6/455
D240,778 S * 8/1976 Mason D6/467
D262,912 S * 2/1982 Therien et al. D25/23
D283,167 S * 3/1986 Perry D25/10
D286,432 S * 10/1986 Markham D25/19

1 Claim, 7 Drawing Sheets



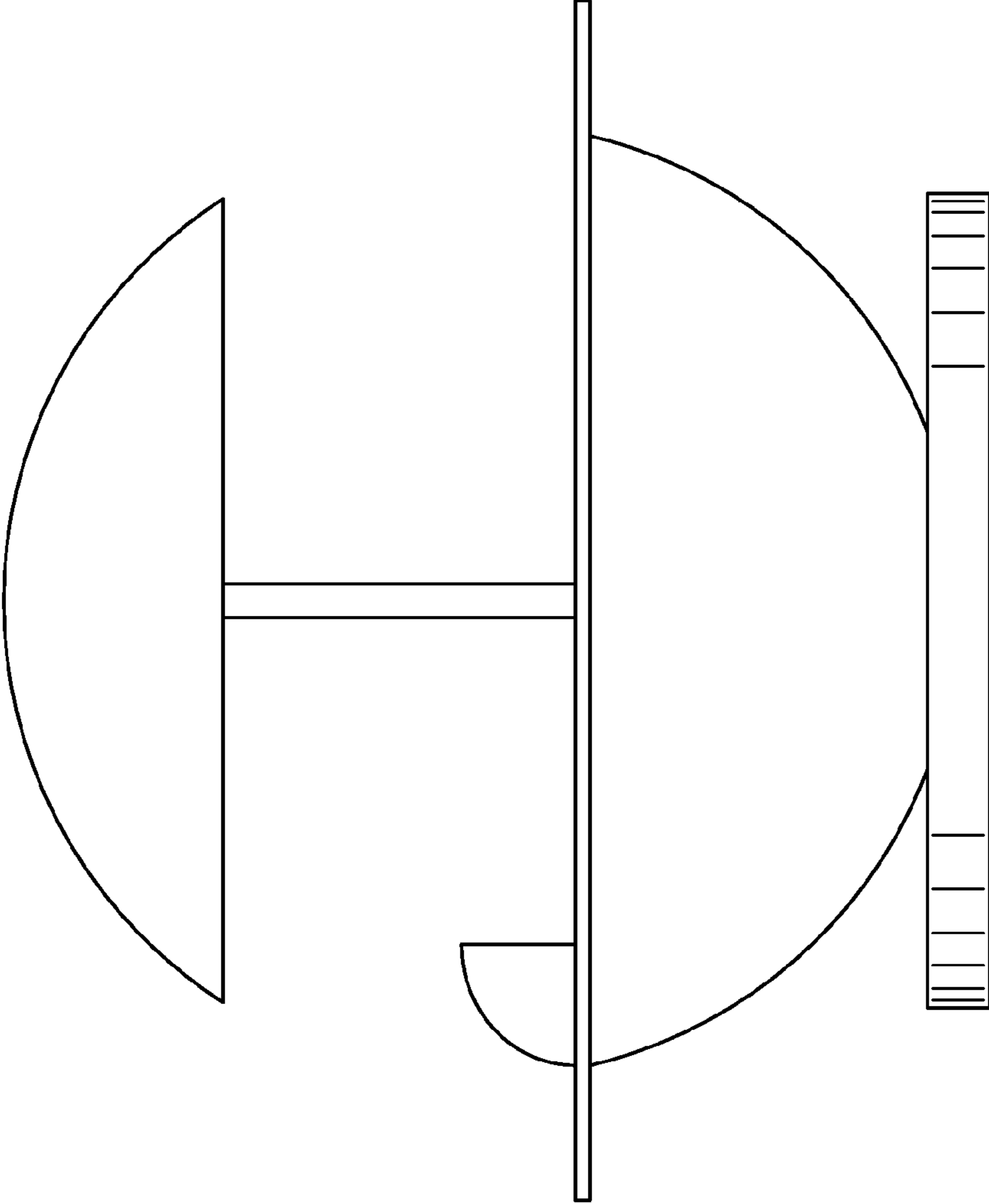


FIGURE 1

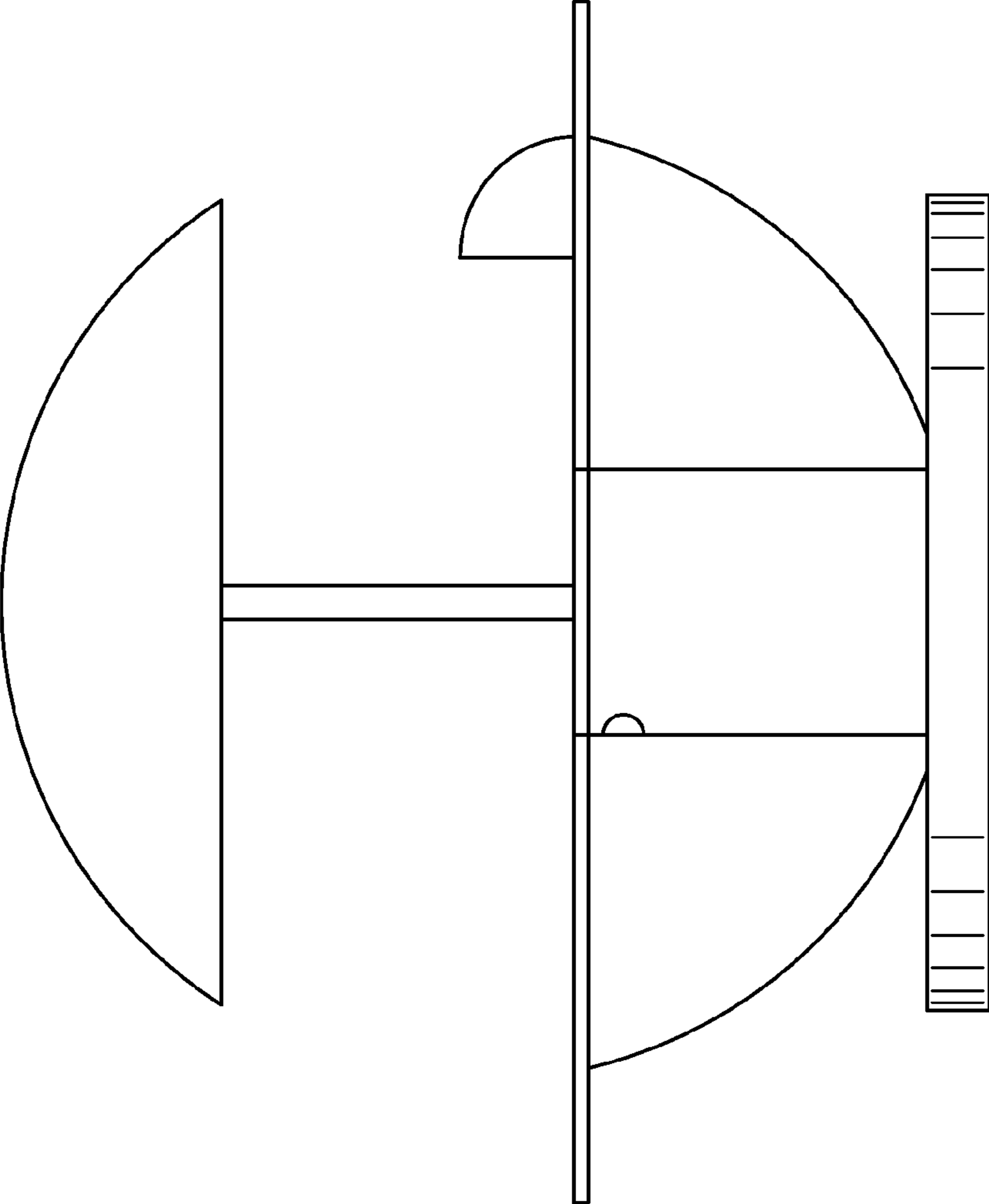


FIGURE 2

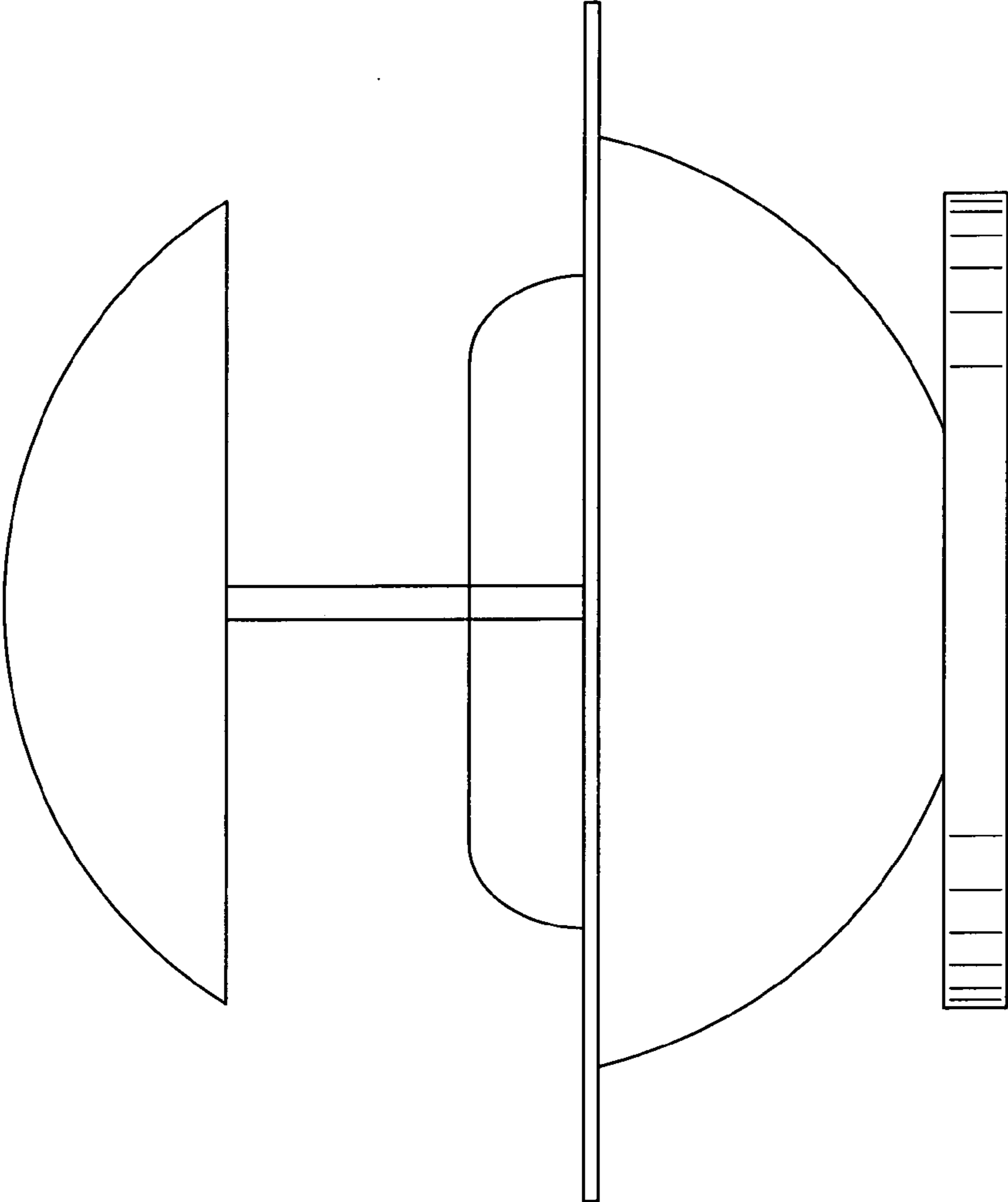


FIGURE 3

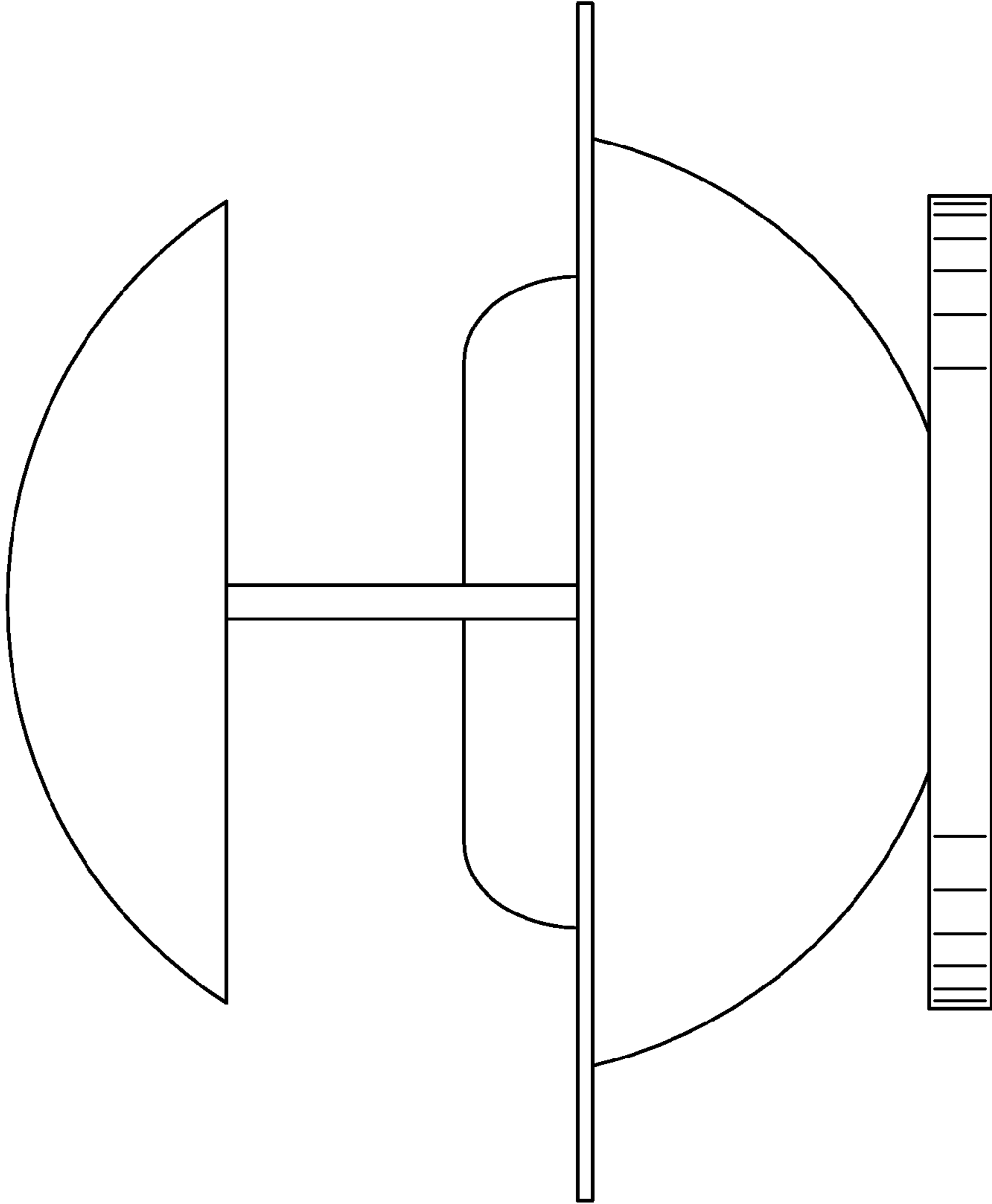


FIGURE 4

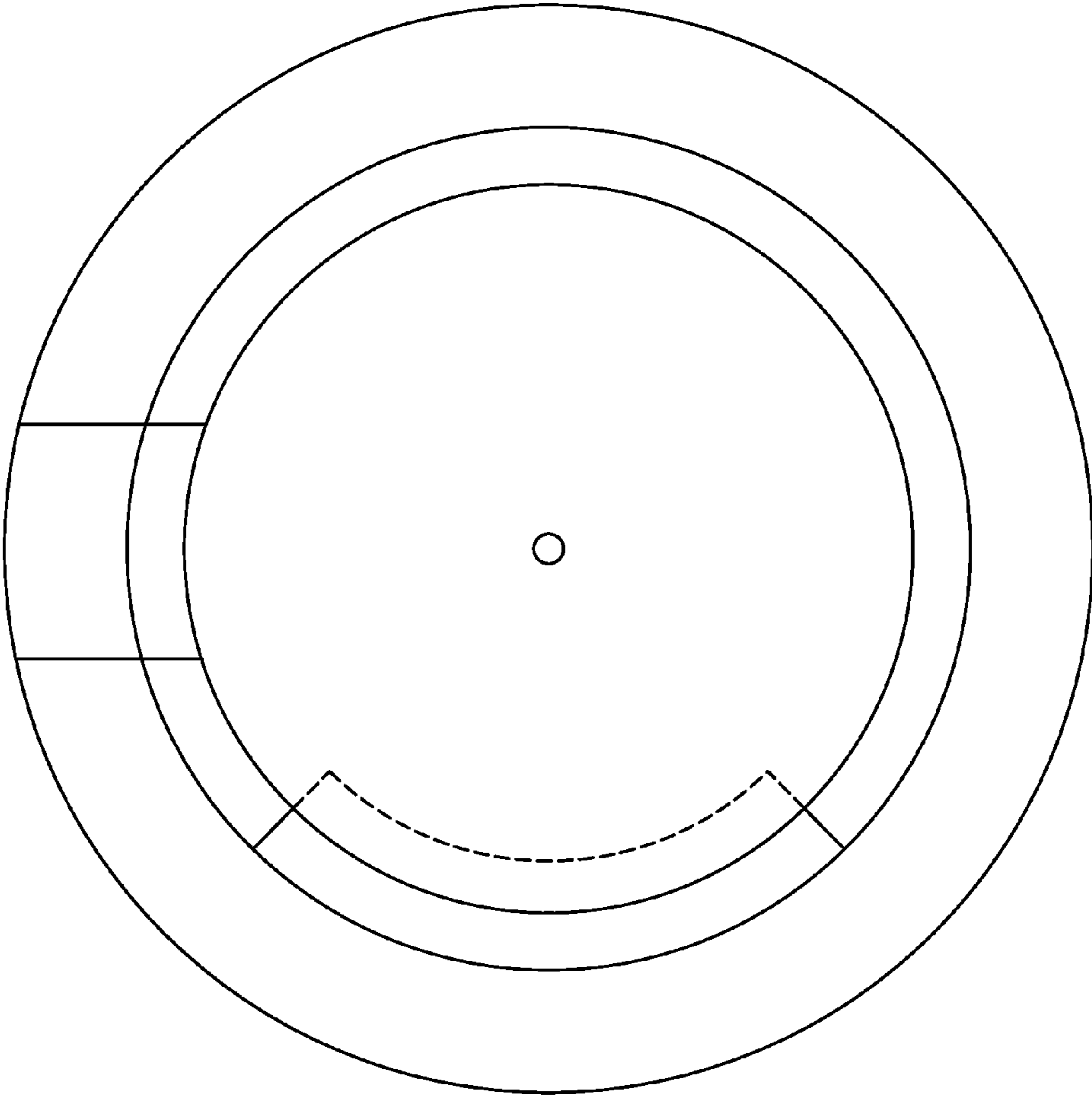


FIGURE 5

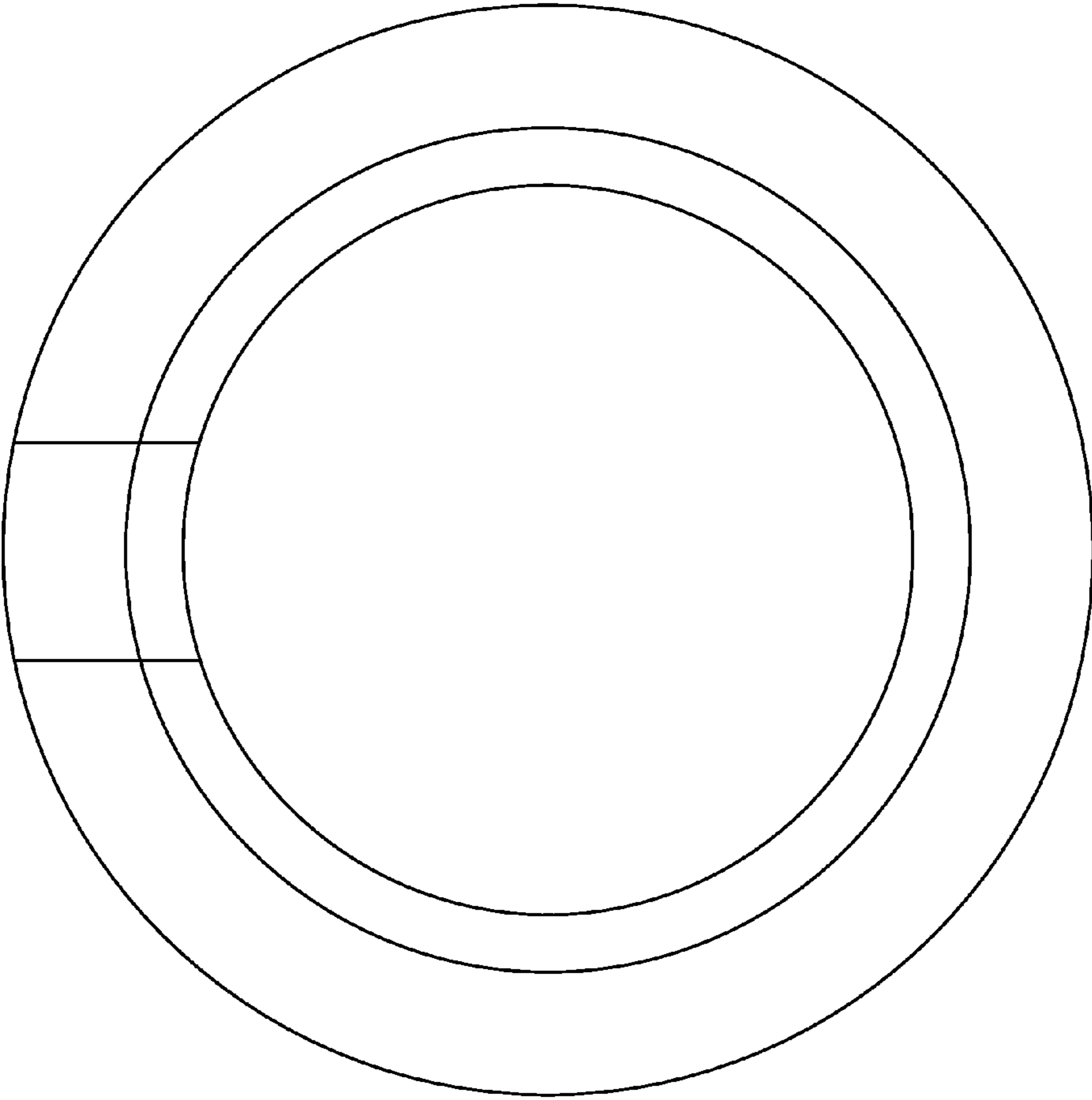


FIGURE 6

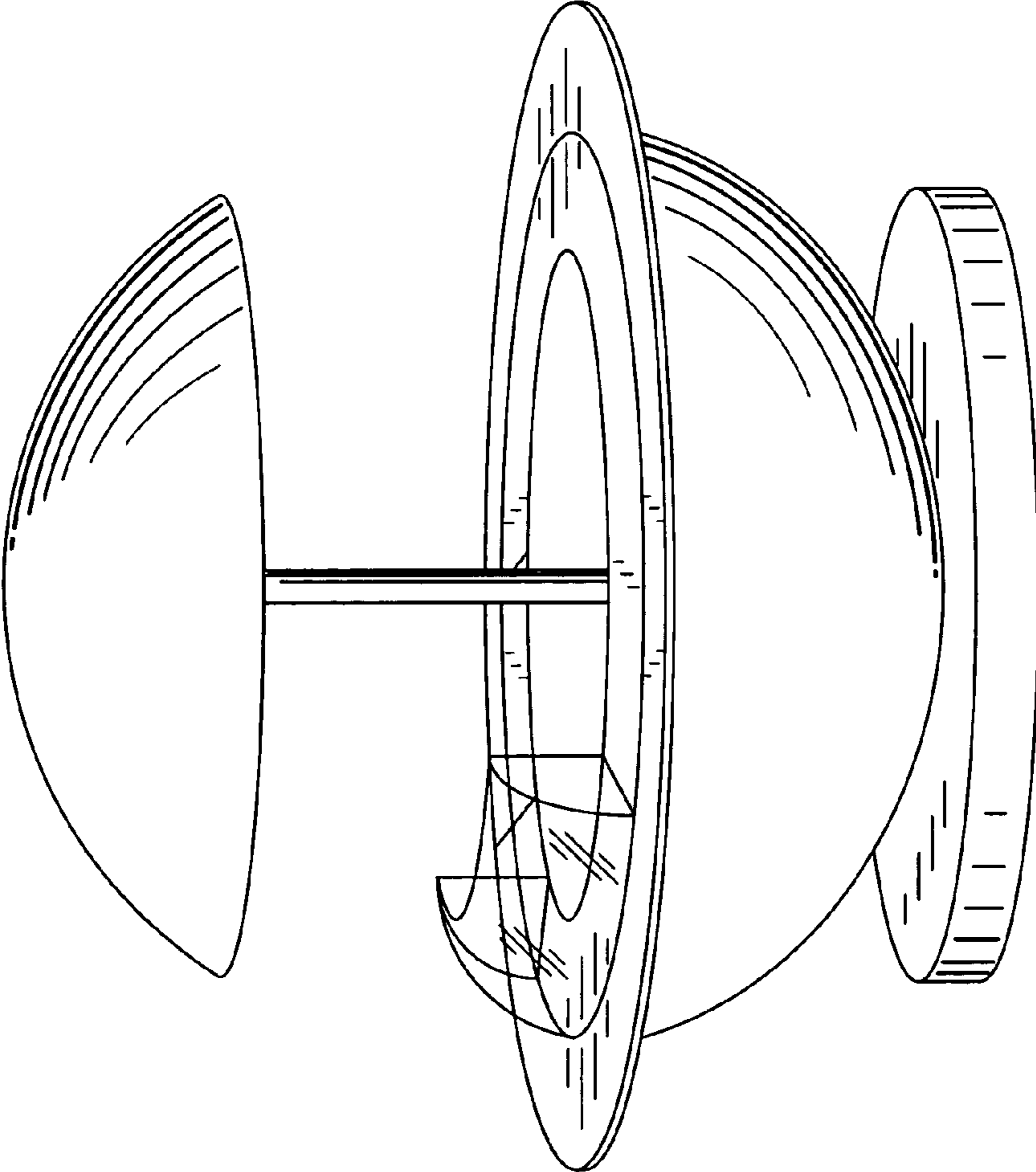


FIGURE 7