



US00D609503S

(12) **United States Design Patent**
Hayes

(10) **Patent No.:** **US D609,503 S**

(45) **Date of Patent:** **** Feb. 9, 2010**

(54) **STACKABLE TABLES**

(75) Inventor: **Jonathan Hayes**, Boston, MA (US)

(73) Assignee: **J. Hayes Design, Inc.**, Boston, MA (US)

(**) Term: **14 Years**

(21) Appl. No.: **29/330,193**

(22) Filed: **Dec. 30, 2008**

(51) **LOC (9) Cl.** **06-03**

(52) **U.S. Cl.** **D6/480; D6/429; D6/479**

(58) **Field of Classification Search** D6/480-489,
D6/495-499, 429-431, 479; 108/150, 153.1,
108/155, 156, 161, 11, 18, 125, 91; 248/188,
248/188.1, 188.8; 211/153

See application file for complete search history.

(56) **References Cited**

U.S. PATENT DOCUMENTS

1,646,175	A *	10/1927	Thiede	108/125
D141,386	S *	5/1945	Rosenfield	D6/479
2,540,849	A *	2/1951	Walker	108/91
2,567,417	A	9/1951	Adler		
2,981,579	A	4/1961	Shwayder		
3,853,073	A	12/1974	Flum		
D240,377	S *	7/1976	Goulder	D6/461
4,242,969	A	1/1981	Checkwood		
4,706,576	A *	11/1987	James	108/192

5,505,142	A	4/1996	Fink		
5,918,551	A *	7/1999	Liu	108/55.1
D475,220	S *	6/2003	Seki	D6/484
D477,160	S *	7/2003	Grosfillex	D6/479
2007/0277709	A1	12/2007	Carter		

* cited by examiner

Primary Examiner—Janice E Seeger

(74) *Attorney, Agent, or Firm*—Paul E. Lewkowicz, P.C.;
Paul E. Lewkowicz

(57) **CLAIM**

The ornamental design for a stackable tables, as shown and described.

DESCRIPTION

FIG. 1 is an isometric view of two stackable tables in the stacked configuration.

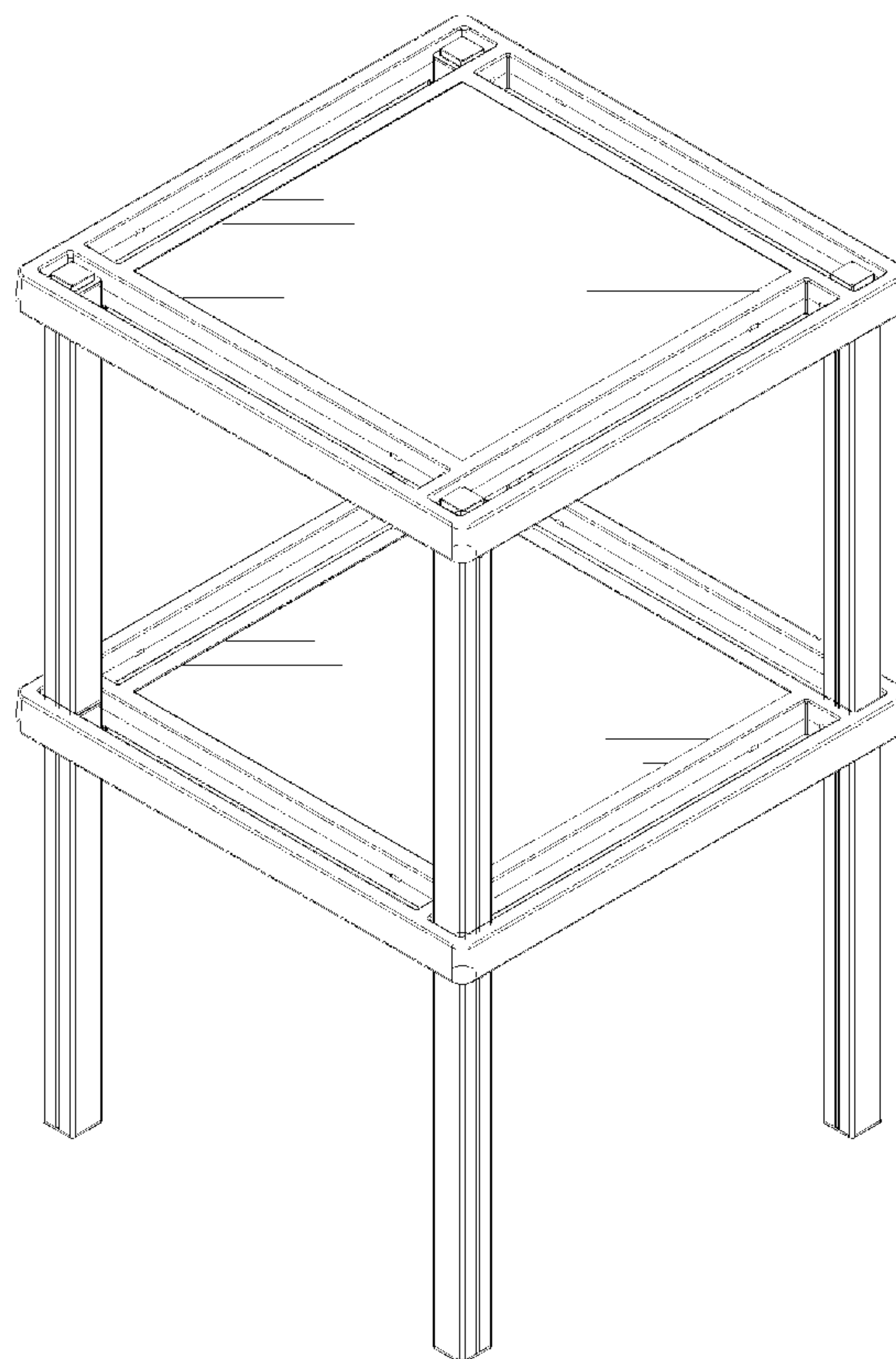
FIG. 2 is a front view of the stackable tables. As all four elevation views are the same in this symmetrical table, only one such view is shown.

FIG. 3 is a top view of a stackable table, looking down on the top; and,

FIG. 4 is a bottom view of a stackable table, looking up from the bottom of the legs to the underside of the table frame.

The broken lines are for environmental purposes only and form no part of the claimed design.

1 Claim, 4 Drawing Sheets



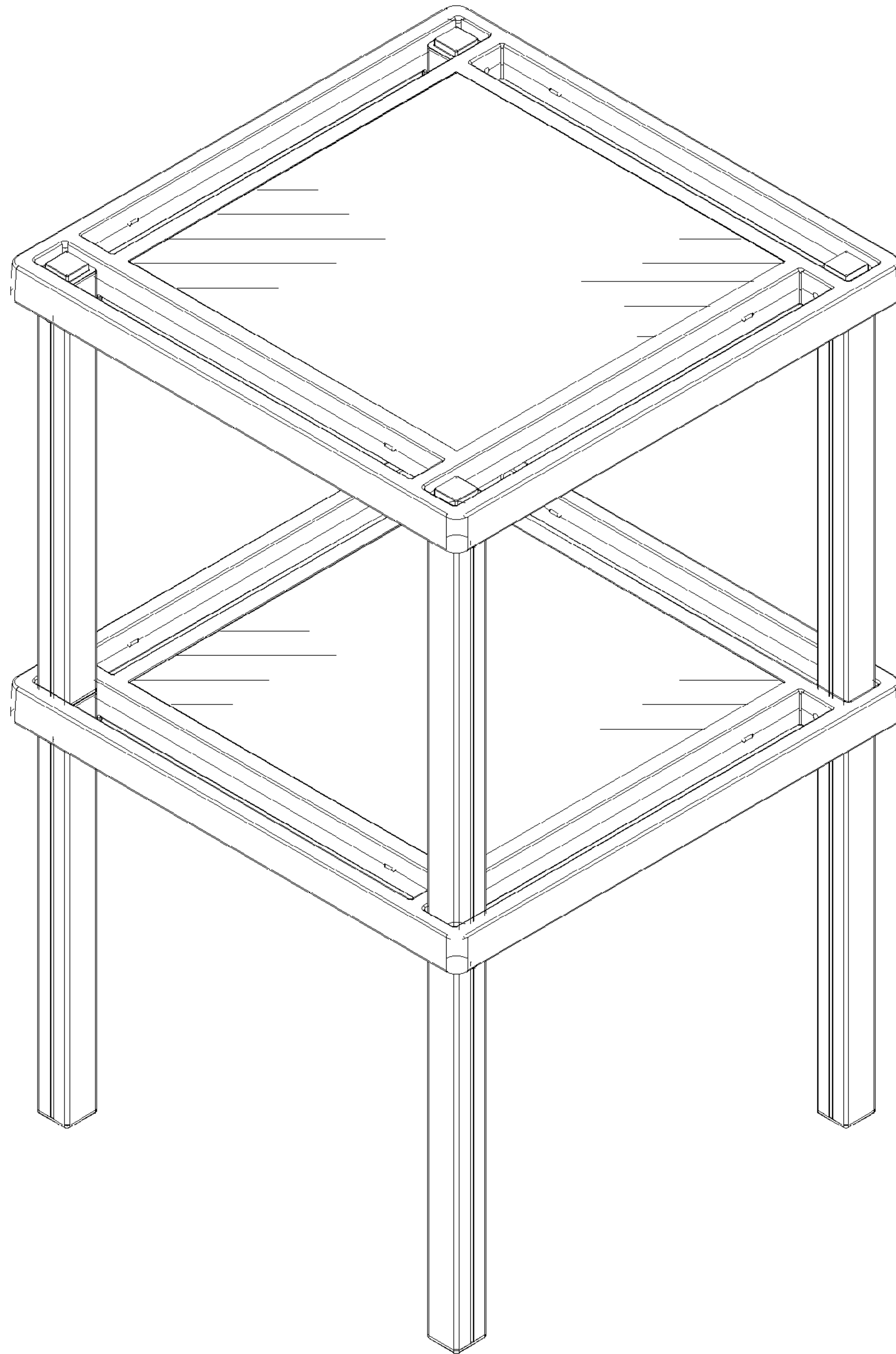


FIG. 1

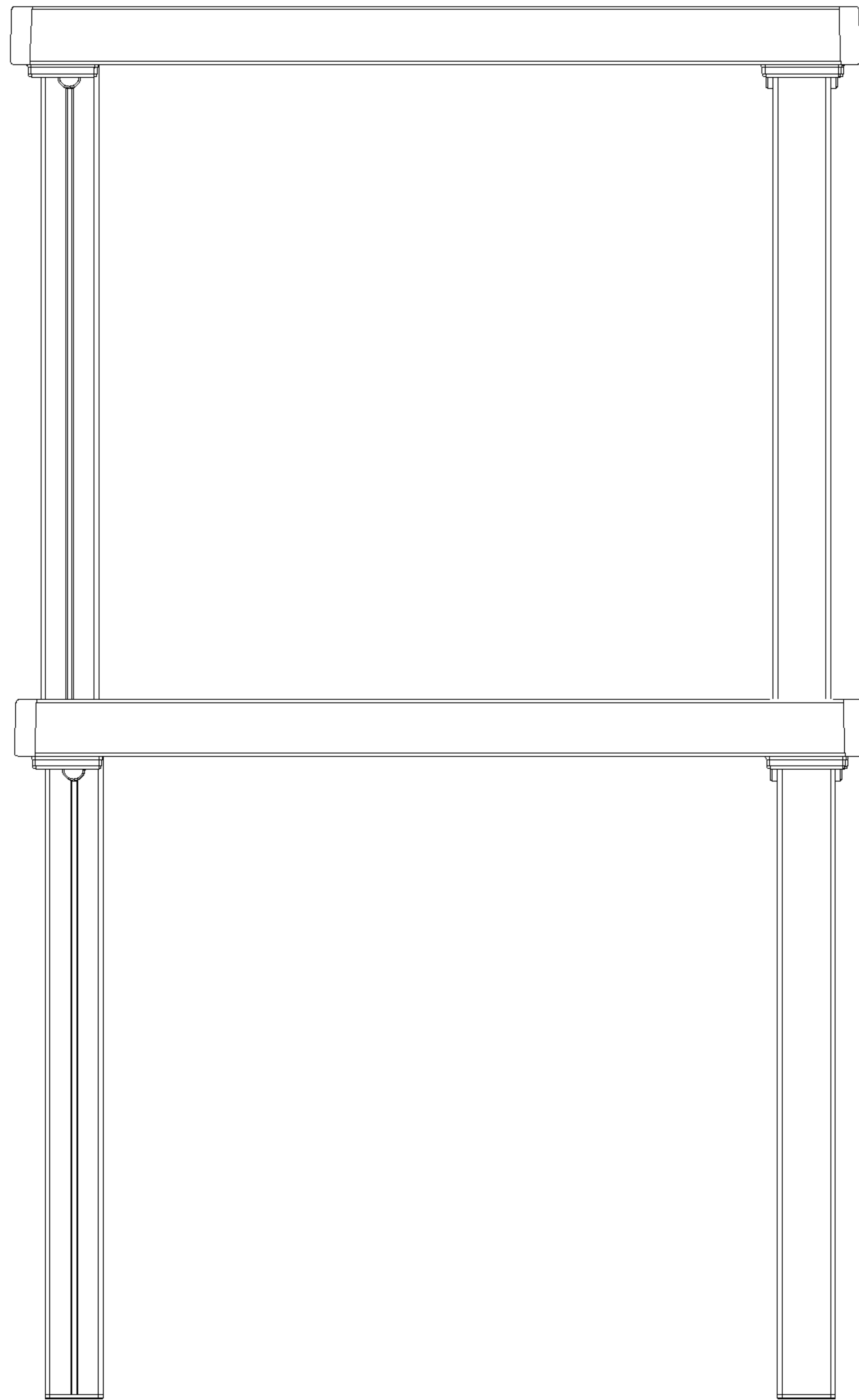


FIG. 2

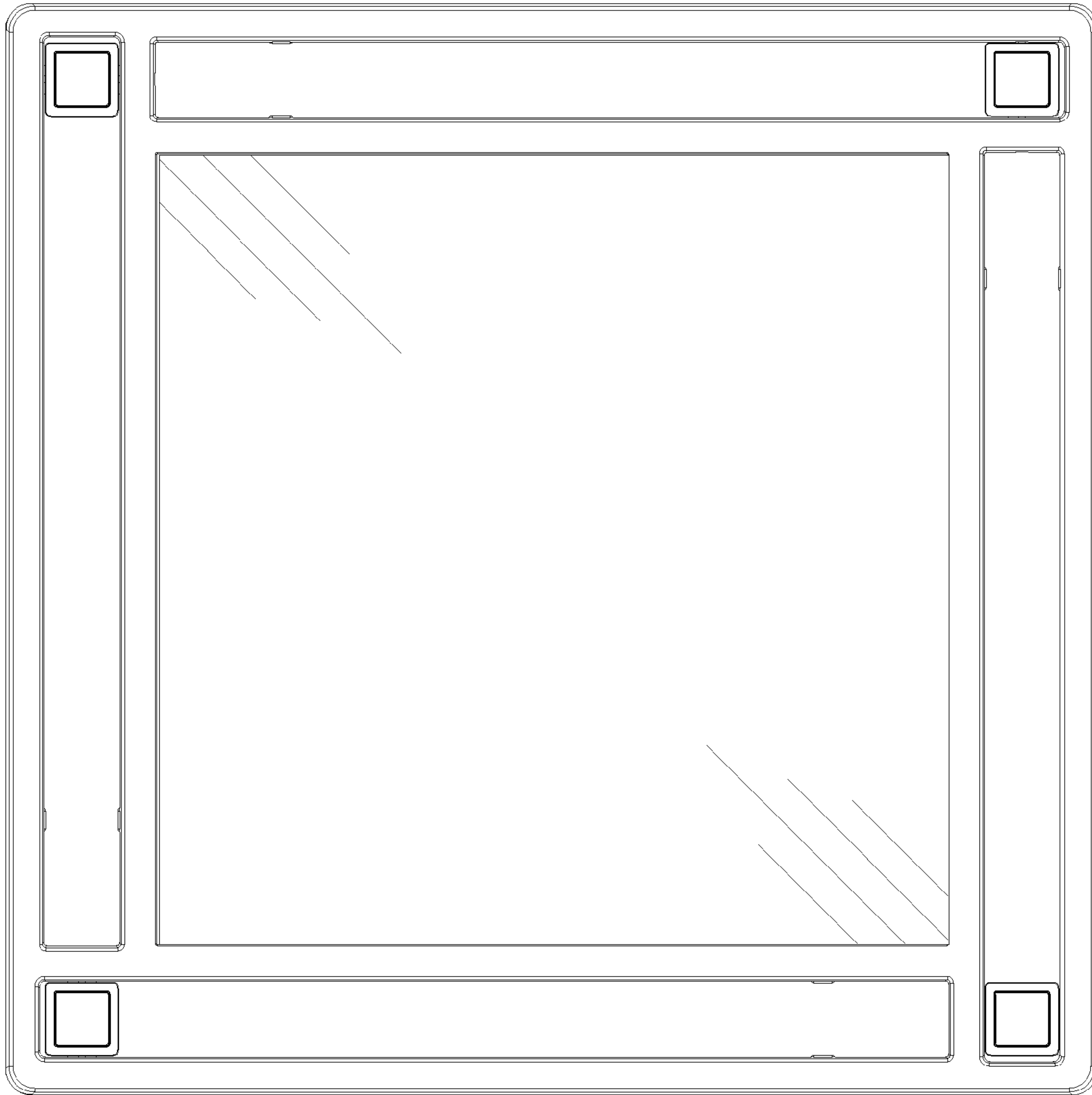


FIG. 3

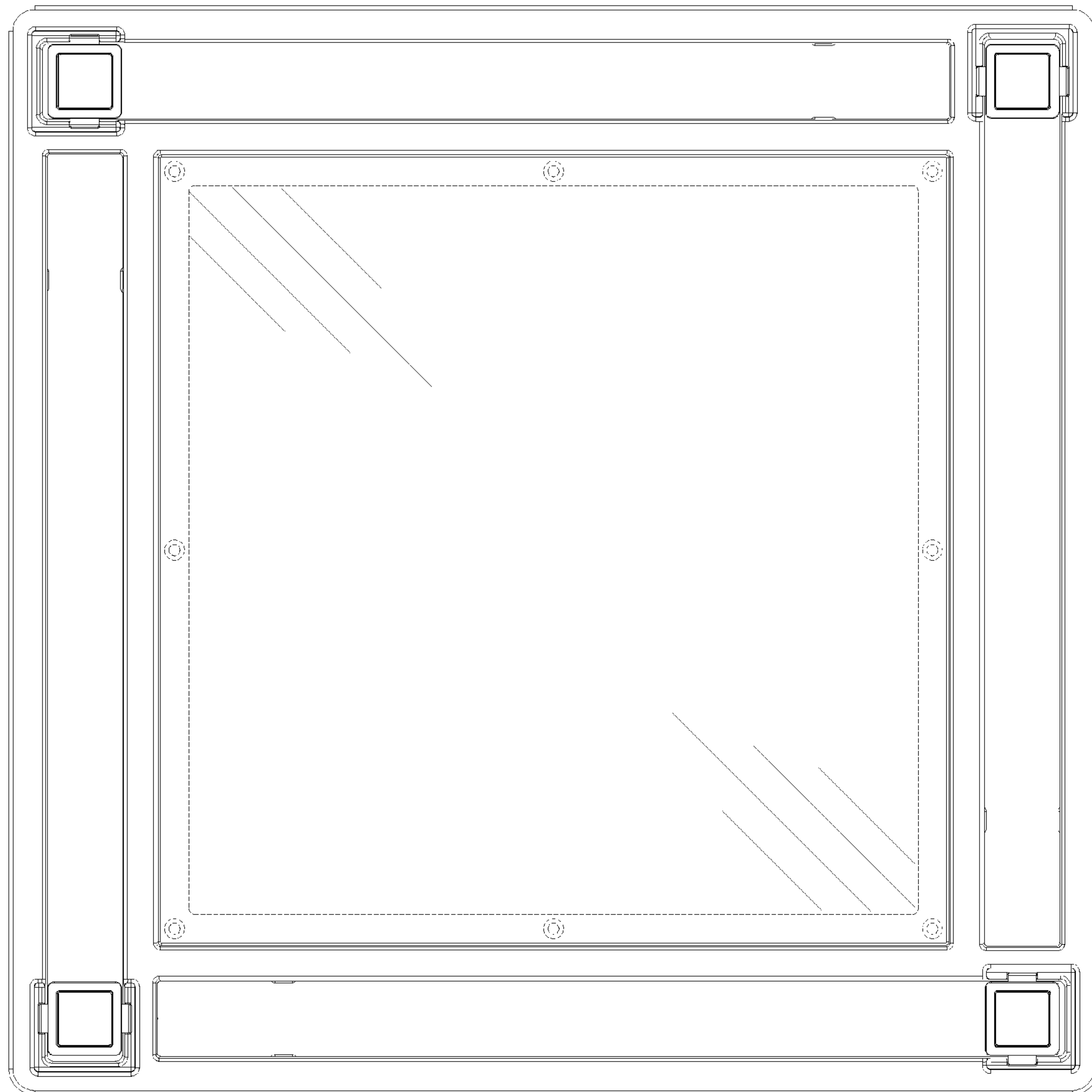


FIG. 4