



US00D609502S

(12) **United States Design Patent**
Hayes

(10) **Patent No.:** **US D609,502 S**

(45) **Date of Patent:** **** *Feb. 9, 2010**

(54) **STACKABLE TABLE**

(75) Inventor: **Jonathan Hayes**, Boston, MA (US)

(73) Assignee: **J. Hayes Design, Inc.**, Boston, MA (US)

(*) Notice: This patent is subject to a terminal disclaimer.

(**) Term: **14 Years**

(21) Appl. No.: **29/330,189**

(22) Filed: **Dec. 30, 2008**

(51) **LOC (9) Cl.** **06-03**

(52) **U.S. Cl.** **D6/480; D6/429**

(58) **Field of Classification Search** D6/480-489,
D6/495-499, 429-431, 479; 108/150, 153.1,
108/155, 156, 161, 11, 18, 125, 91; 248/188,
248/188.1, 188.8; 211/153

See application file for complete search history.

(56) **References Cited**

U.S. PATENT DOCUMENTS

- 1,646,175 A * 10/1927 Thiede 108/125
- D141,386 S * 5/1945 Rosenfield D6/479
- 2,540,849 A * 2/1951 Walker 108/91
- 2,567,417 A 9/1951 Adler
- 2,981,579 A 4/1961 Shwayder
- 3,853,073 A 12/1974 Flum
- D240,377 S * 7/1976 Goulder D6/461

- 4,242,969 A 1/1981 Checkwood
- 4,706,576 A * 11/1987 James 108/192
- 5,505,142 A 4/1996 Fink
- 5,918,551 A * 7/1999 Liu 108/55.1
- D475,220 S * 6/2003 Seki D6/464
- D477,160 S * 7/2003 Grosfillex D6/479
- 2007/0277709 A1 12/2007 Carter

* cited by examiner

Primary Examiner—Janice E Seeger

(74) *Attorney, Agent, or Firm*—Paul E. Lewkowicz, P.C.;
Paul E. Lewkowicz

(57) **CLAIM**

The ornamental design for a stackable table, as shown and described.

DESCRIPTION

FIG. 1 is an isometric view of the stackable table.

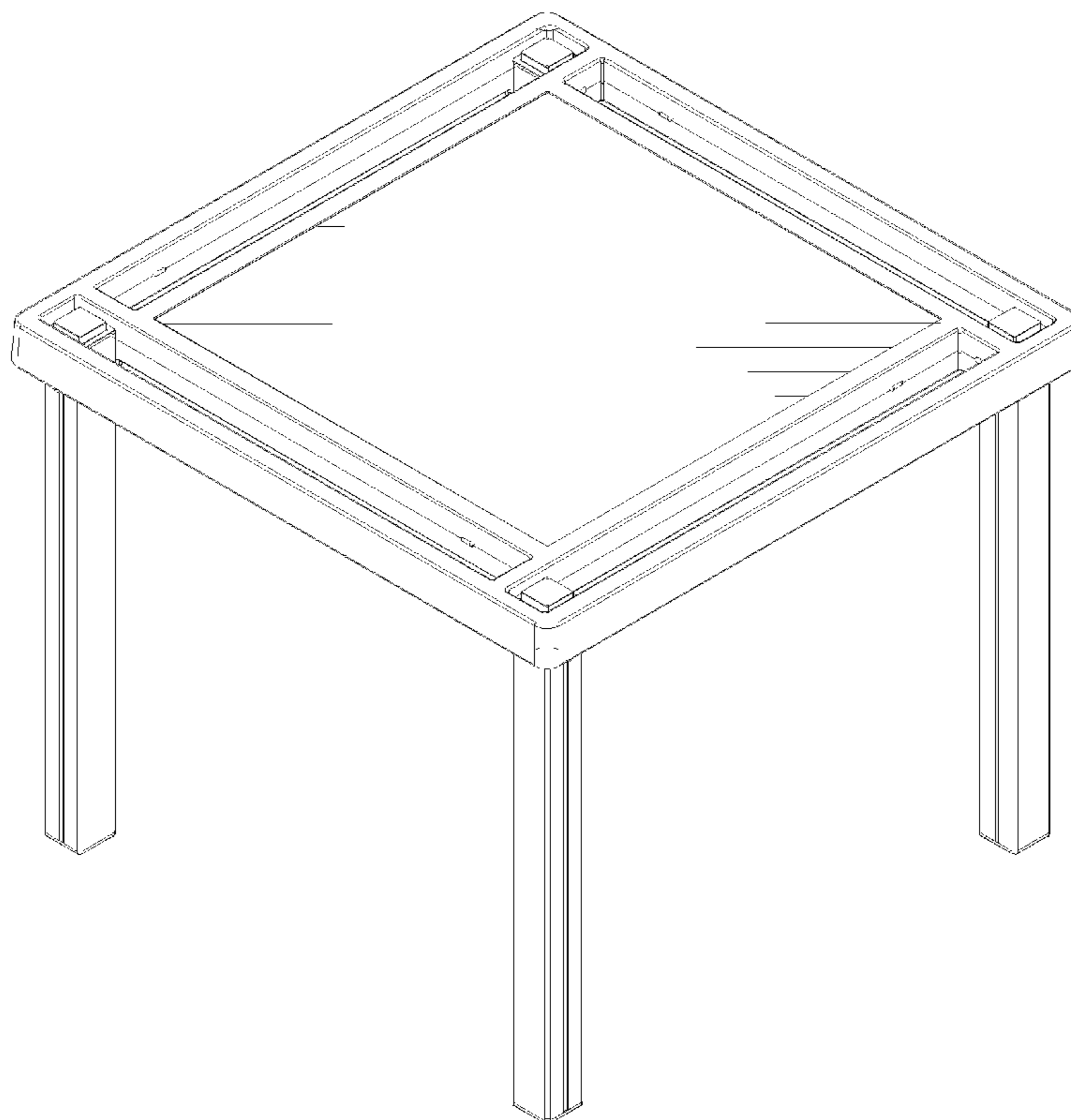
FIG. 2 is a front view of the stackable table. As all four elevation views are the same in this symmetrical table, only one such view is shown.

FIG. 3 is a top view of the stackable table, looking down on the top; and,

FIG. 4 is a bottom view of the stackable table, looking up from the bottom of the legs to the underside of the table top.

The broken lines are for environmental purposes only and form no part of the claimed design.

1 Claim, 4 Drawing Sheets



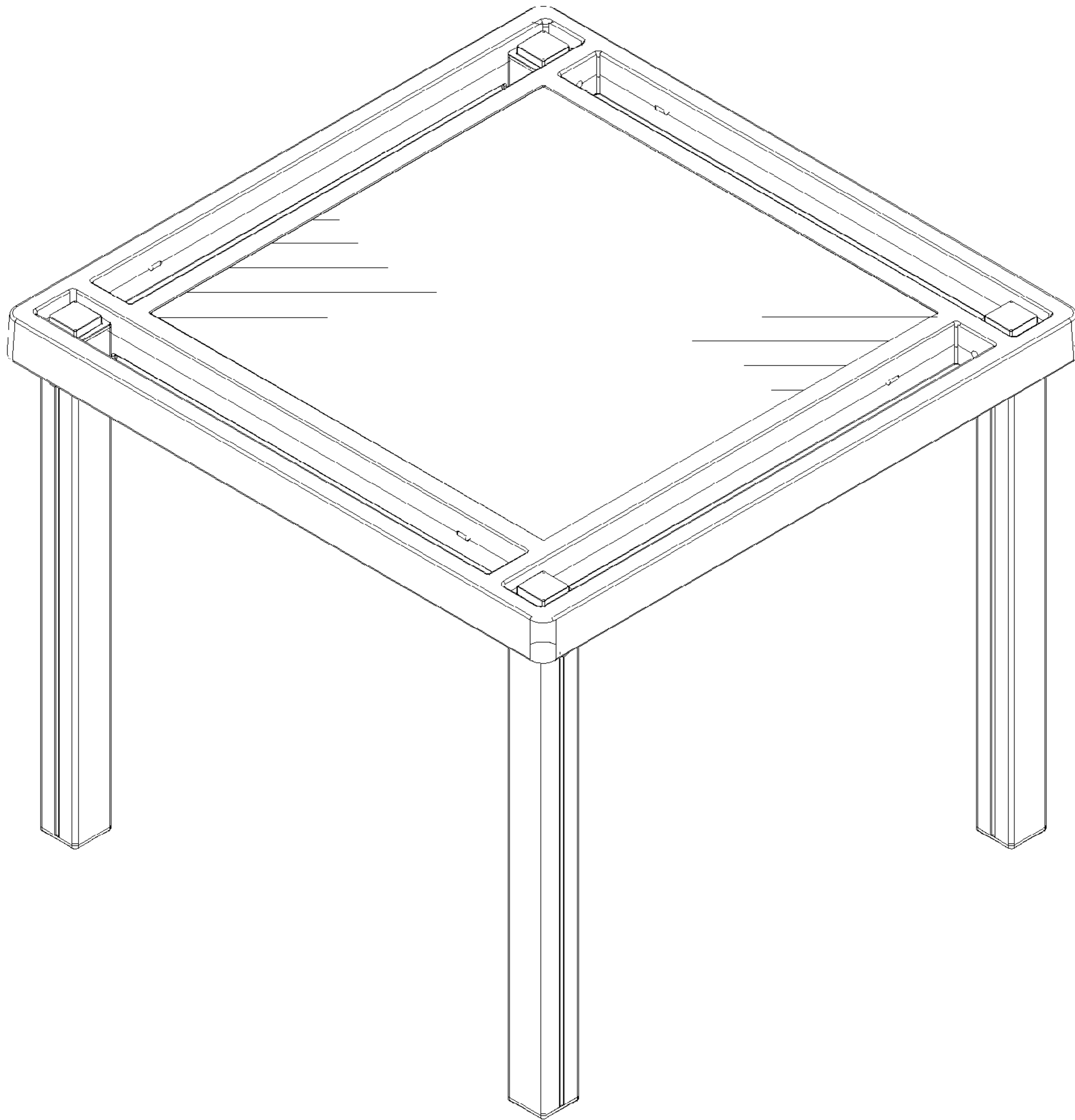


FIG. 1

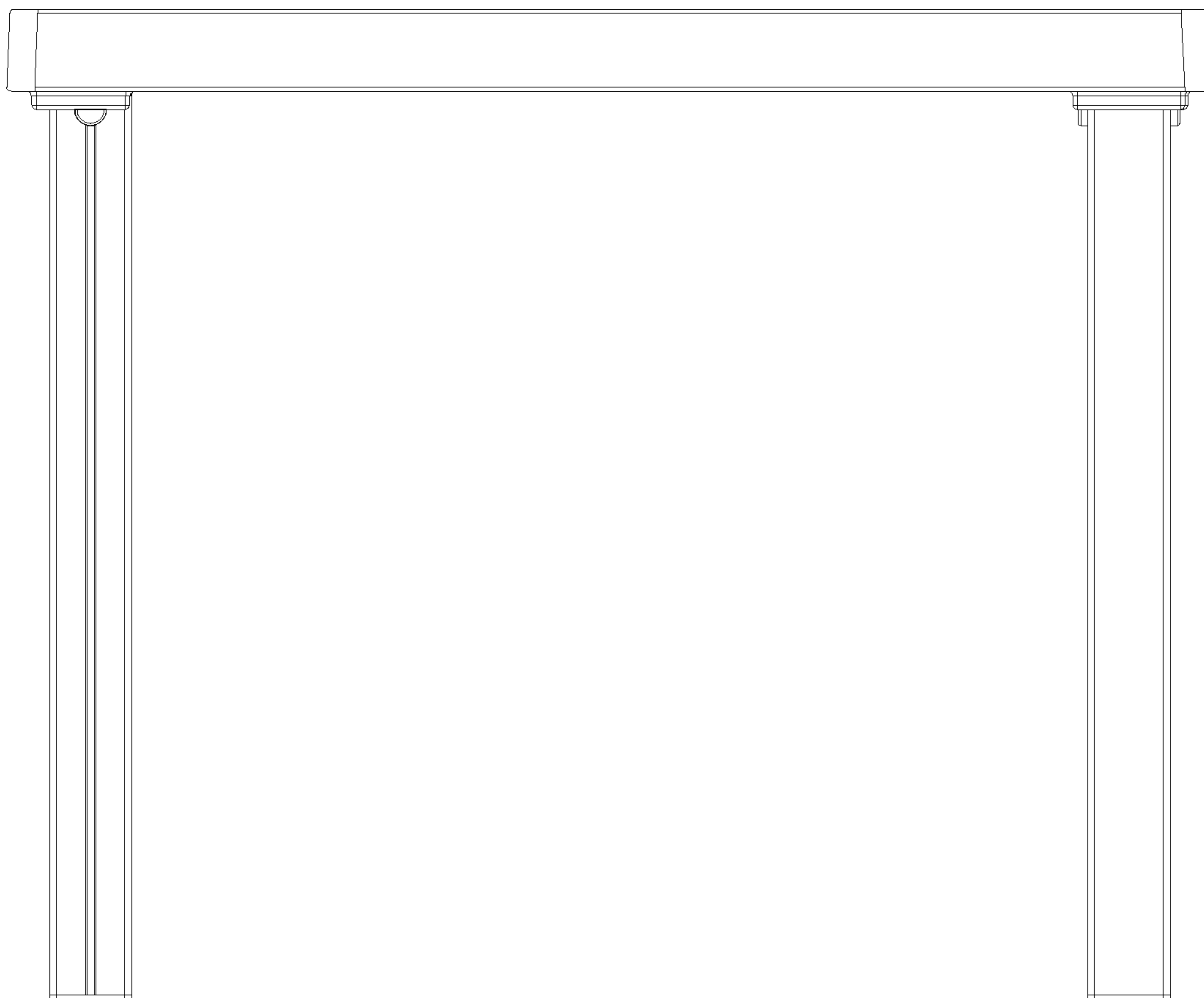


FIG. 2

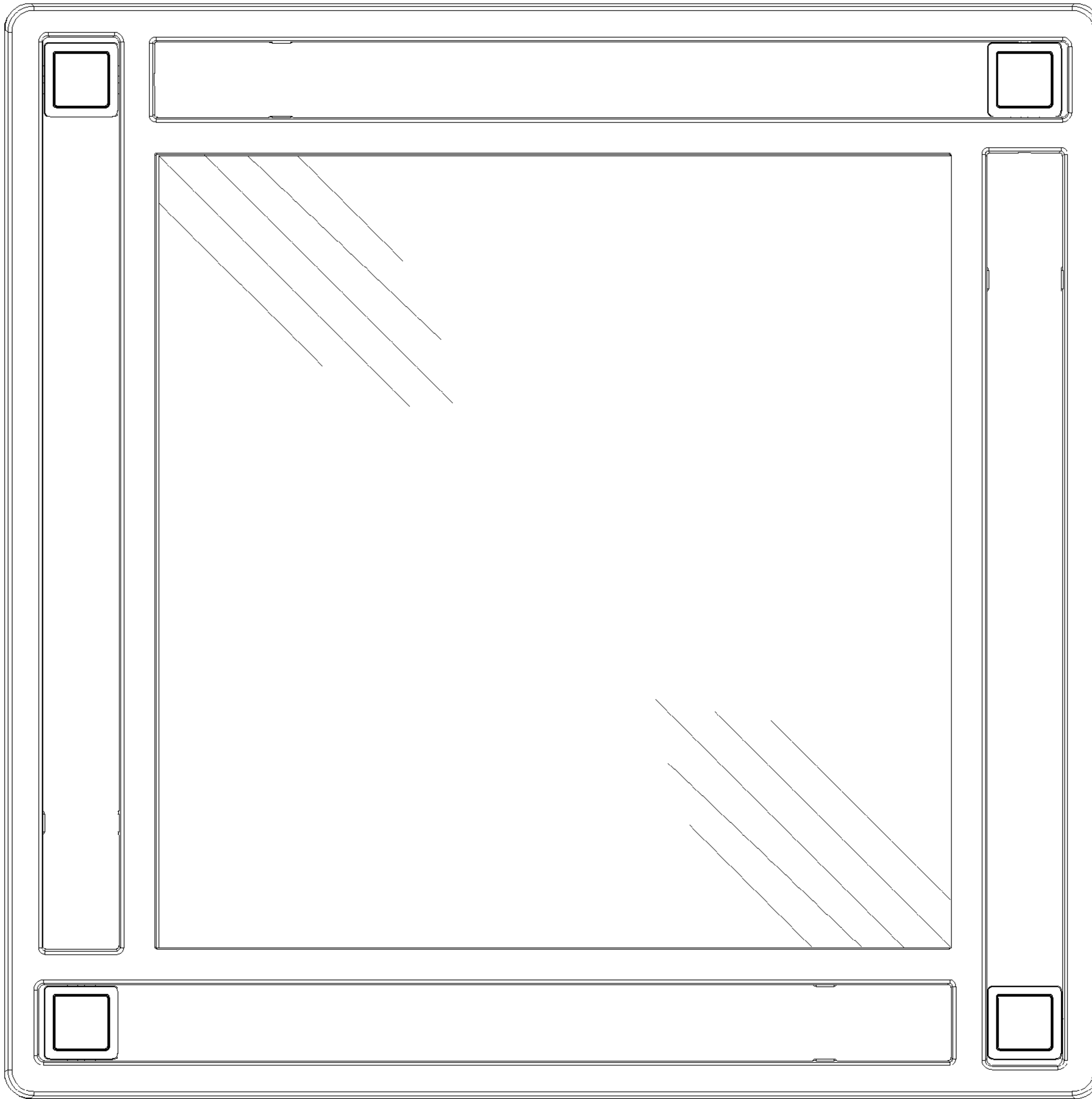


FIG. 3

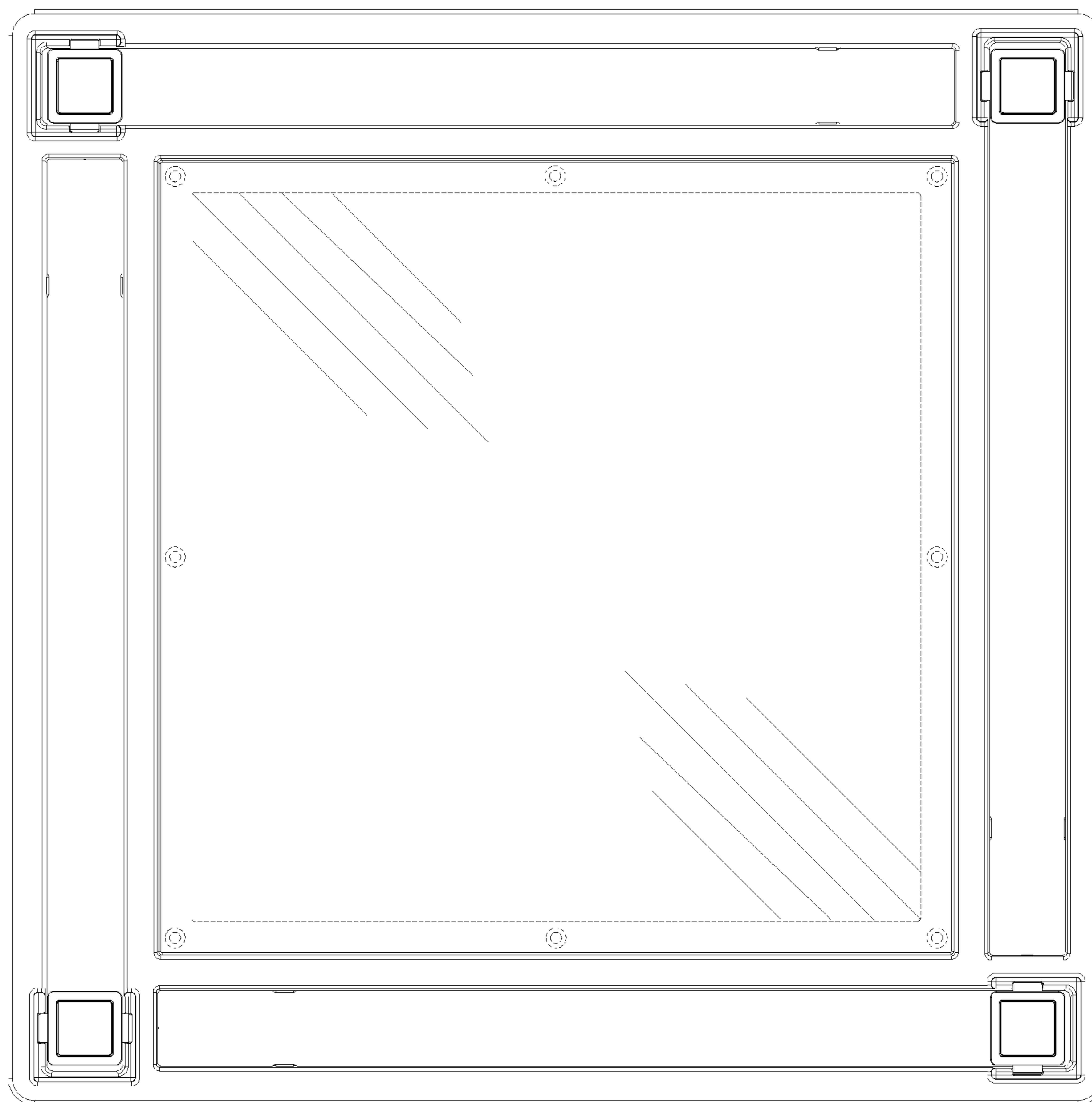


FIG. 4