



US00D609500S

(12) **United States Design Patent**  
**Fieldhouse et al.**

(10) **Patent No.:** **US D609,500 S**

(45) **Date of Patent:** **\*\* Feb. 9, 2010**

(54) **SHELF ORGANIZER**

D580,680 S \* 11/2008 Fieldhouse et al. .... D6/476

(76) Inventors: **John Fieldhouse**, 12 Dale Rise,  
Burniston, North Yorkshire (GB) YO13  
0EG; **Margaret Williams**, 13 Cornwall  
Gardens Walk, London (GB) SW7 4BJ

\* cited by examiner

*Primary Examiner*—Elizabeth A Albert  
*Assistant Examiner*—Kelley A Donnelly  
(74) *Attorney, Agent, or Firm*—Lowe Hauptman Ham &  
Berner, LLP

(\*\*) Term: **14 Years**

(21) Appl. No.: **29/329,889**

(57) **CLAIM**

(22) Filed: **Dec. 23, 2008**

An ornamental design for a shelf organizer, as shown and  
described.

(51) **LOC (9) Cl.** ..... **06-04**

(52) **U.S. Cl.** ..... **D6/476**

(58) **Field of Classification Search** ..... D6/476,  
D6/439, 445, 448, 509–511, 467; 211/134–135,  
211/148, 153, 189, 45; D19/90–92, 22; 108/108,  
108/111

See application file for complete search history.

**DESCRIPTION**

FIG. 1 is a front top perspective view of the shelf organizer in  
a closed position;

FIG. 2 is a top view of the shelf organizer of FIG. 1;

FIG. 3 is a front view of the shelf organizer of FIG. 1;

FIG. 4 is a rear side view of the shelf organizer of FIG. 1;

FIG. 5 is a side view of the shelf organizer of FIG. 1;

FIG. 6 is a top front perspective view of the shelf organizer in  
an opened position;

FIG. 7 is a top view of the shelf organizer of FIG. 6;

FIG. 8 is a front view of the shelf organizer of FIG. 6; and,

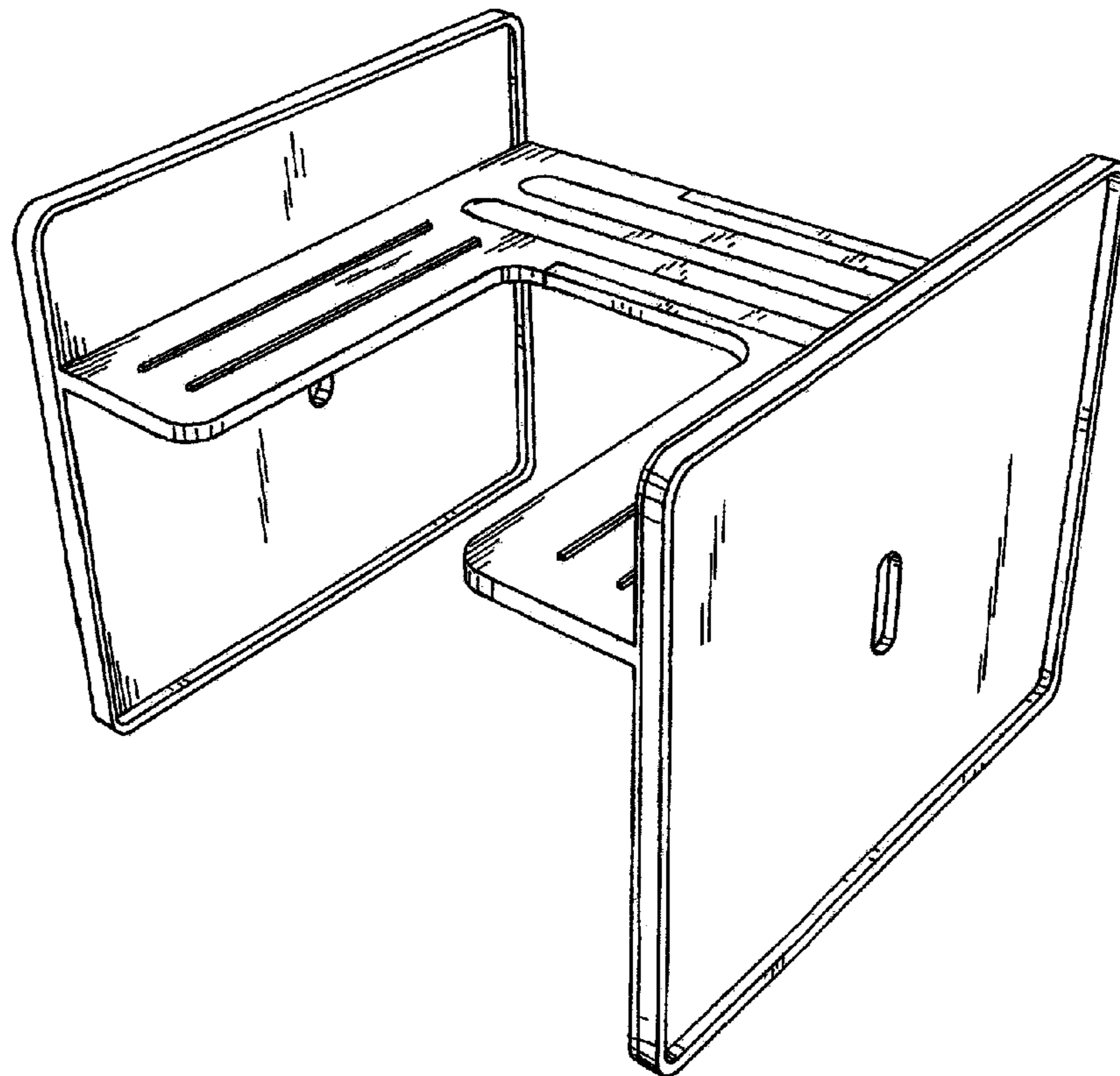
FIG. 9 is a rear view of the shelf organizer of FIG. 6.

(56) **References Cited**

U.S. PATENT DOCUMENTS

D220,112 S *	3/1971	Muller	.....	D6/495
D261,904 S *	11/1981	Polhemus	.....	D19/92
D264,894 S *	6/1982	Halder	.....	D12/426
D293,493 S *	12/1987	Garr	.....	D6/449
D308,537 S *	6/1990	Clark	.....	D18/59
D348,904 S *	7/1994	Linder	.....	D19/92
D377,128 S *	1/1997	Baker	.....	D6/479
D473,072 S *	4/2003	Seeley	.....	D6/449

**1 Claim, 6 Drawing Sheets**



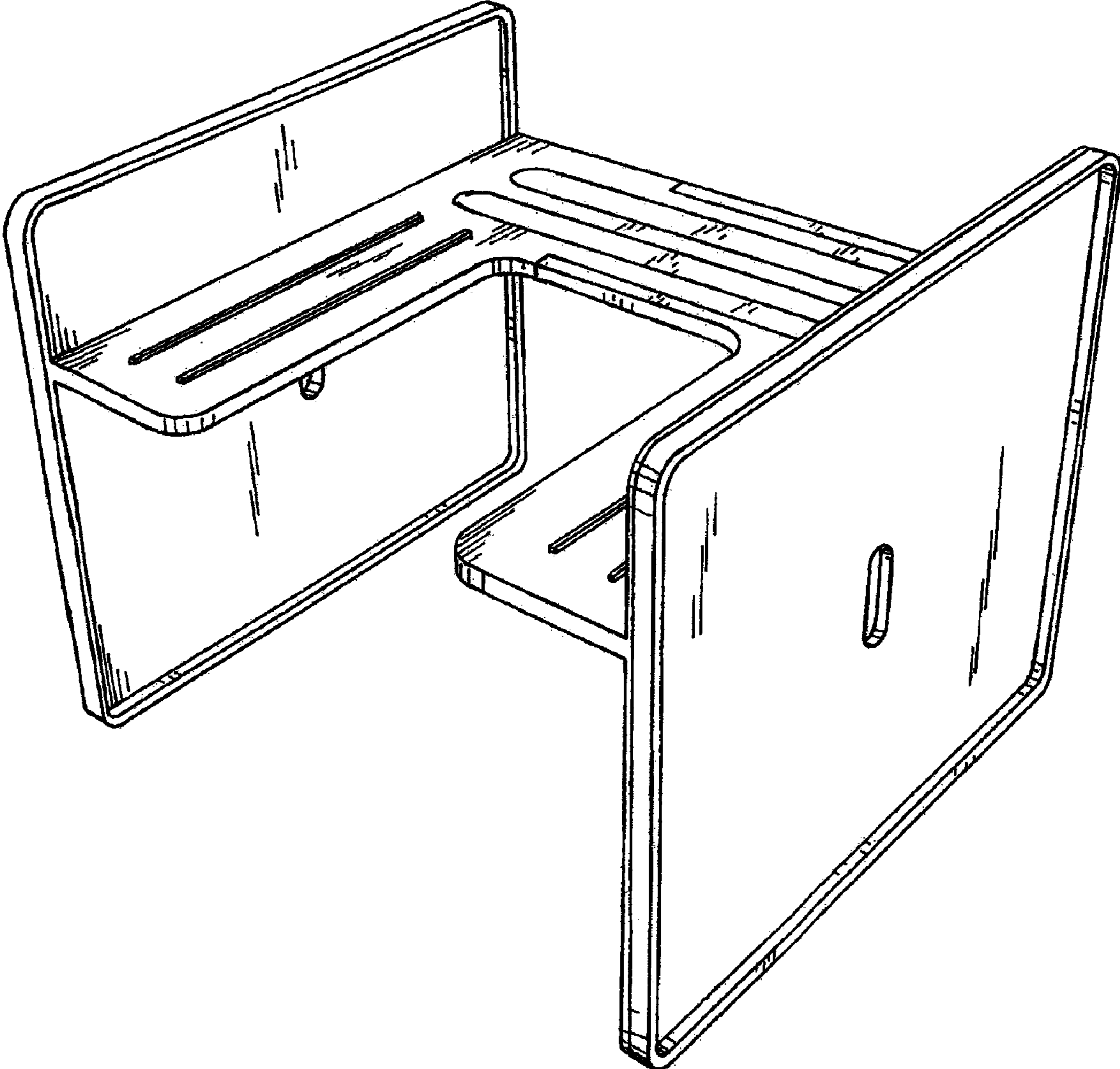


Fig. 1

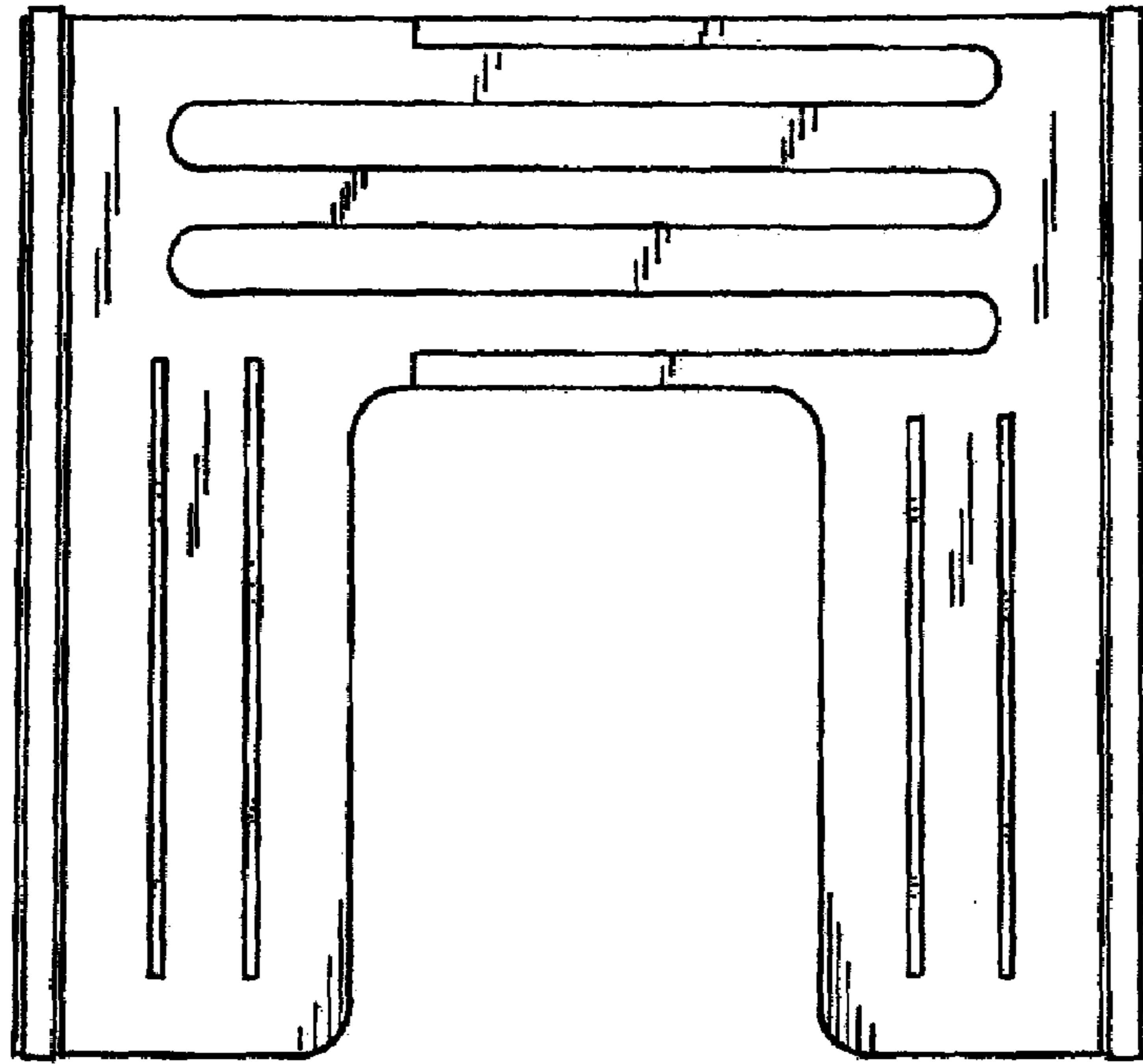


Fig. 2

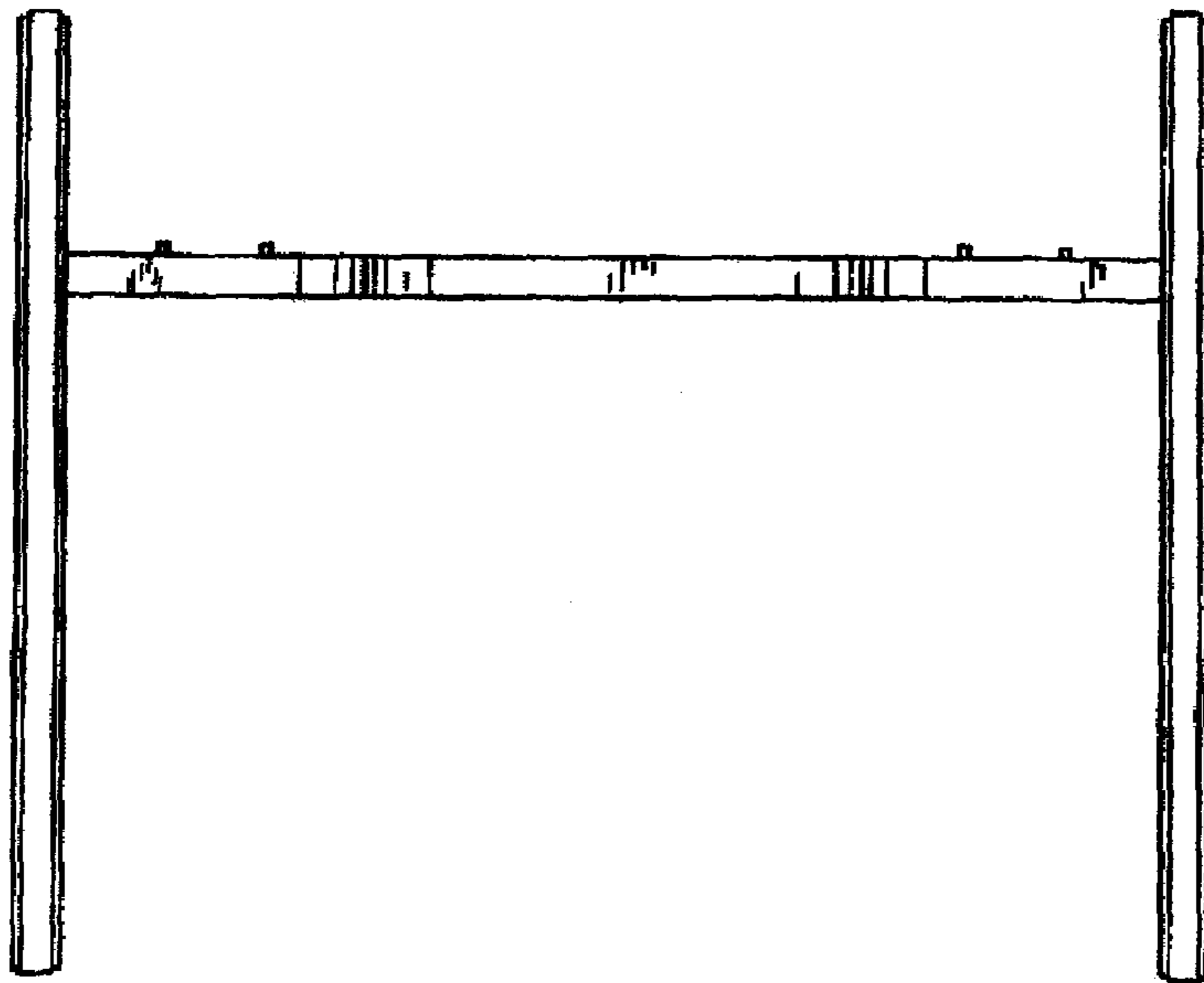


Fig. 3

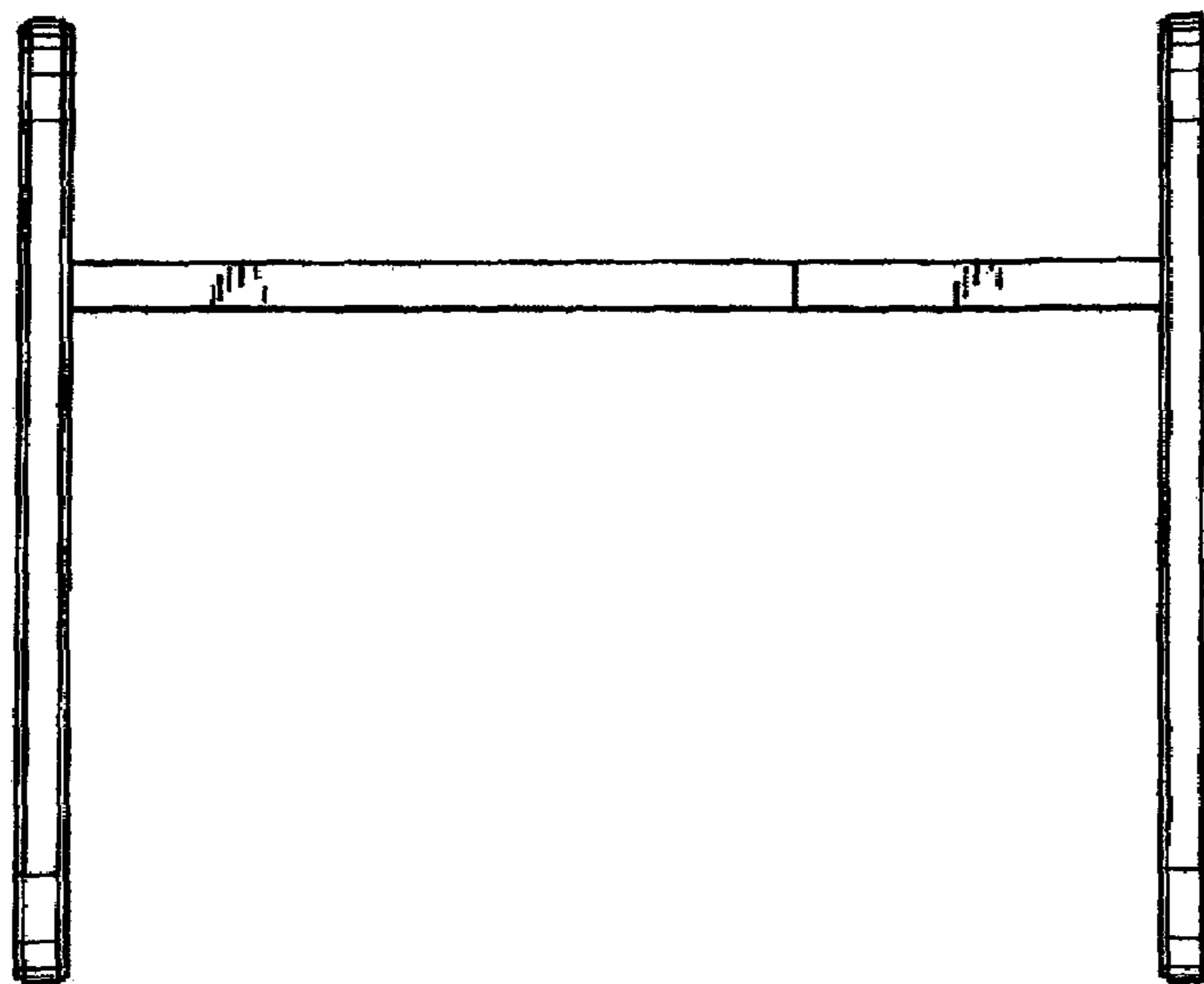


Fig. 4

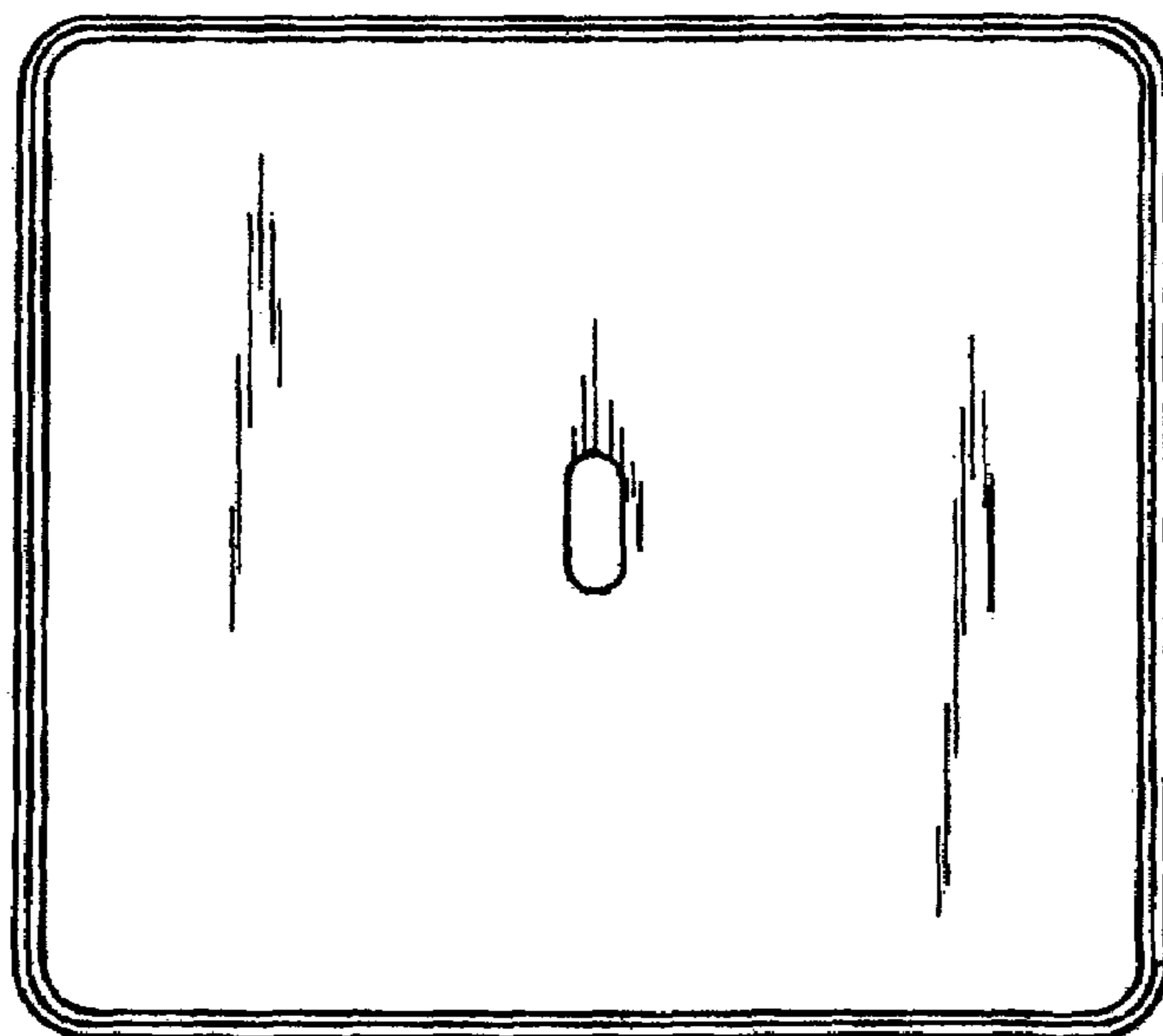


Fig. 5

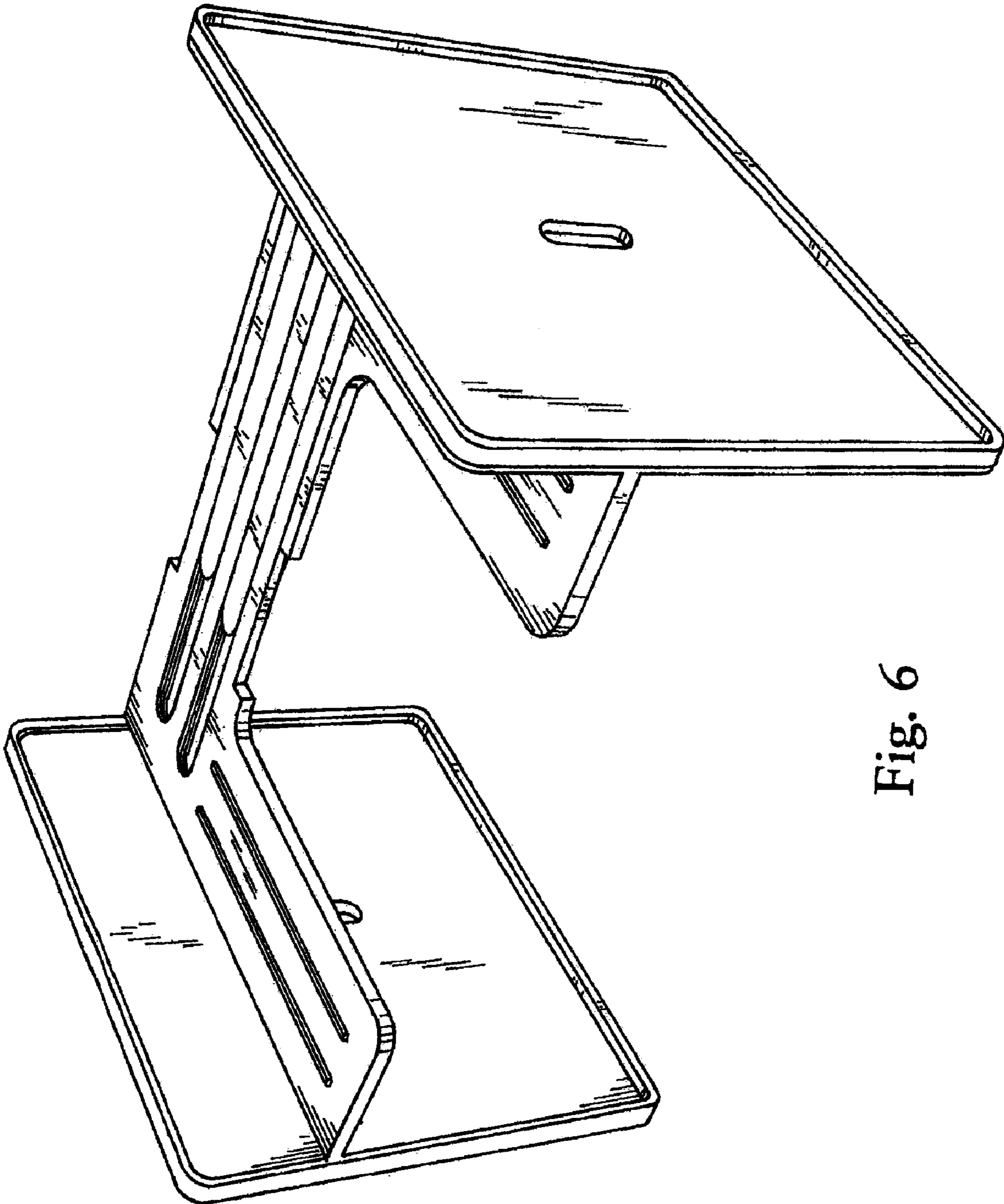


Fig. 6

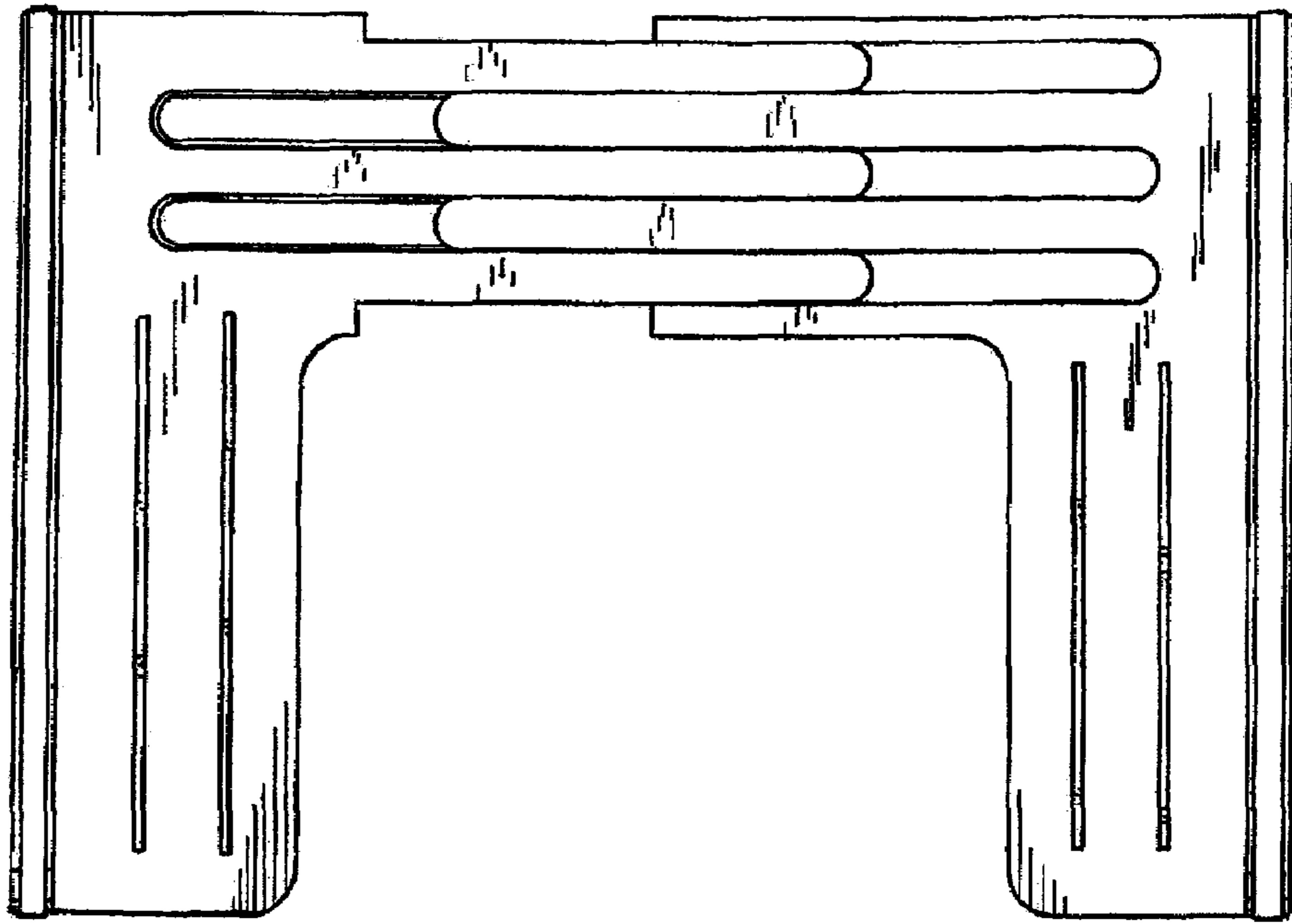


Fig. 7

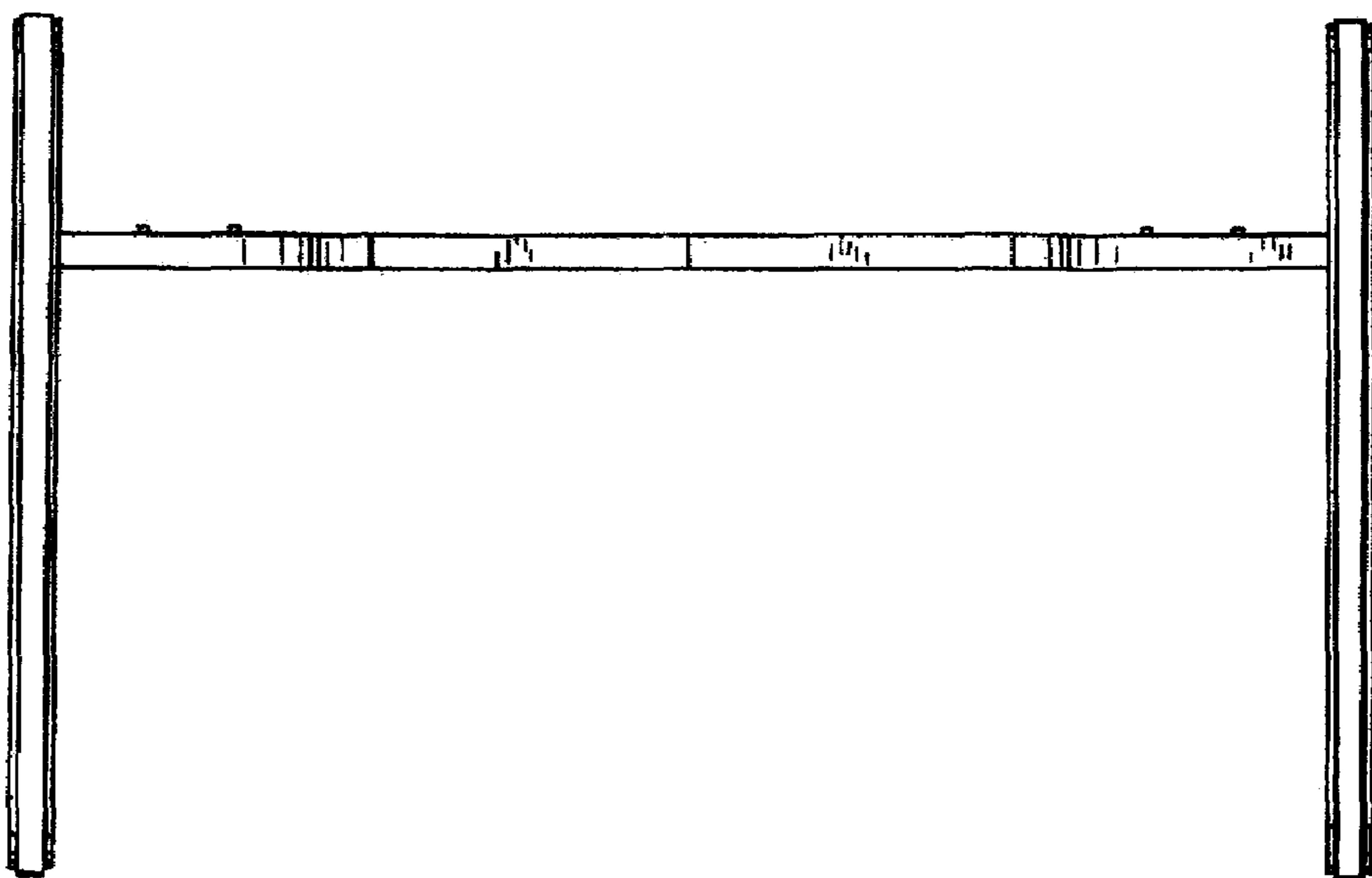


Fig. 8

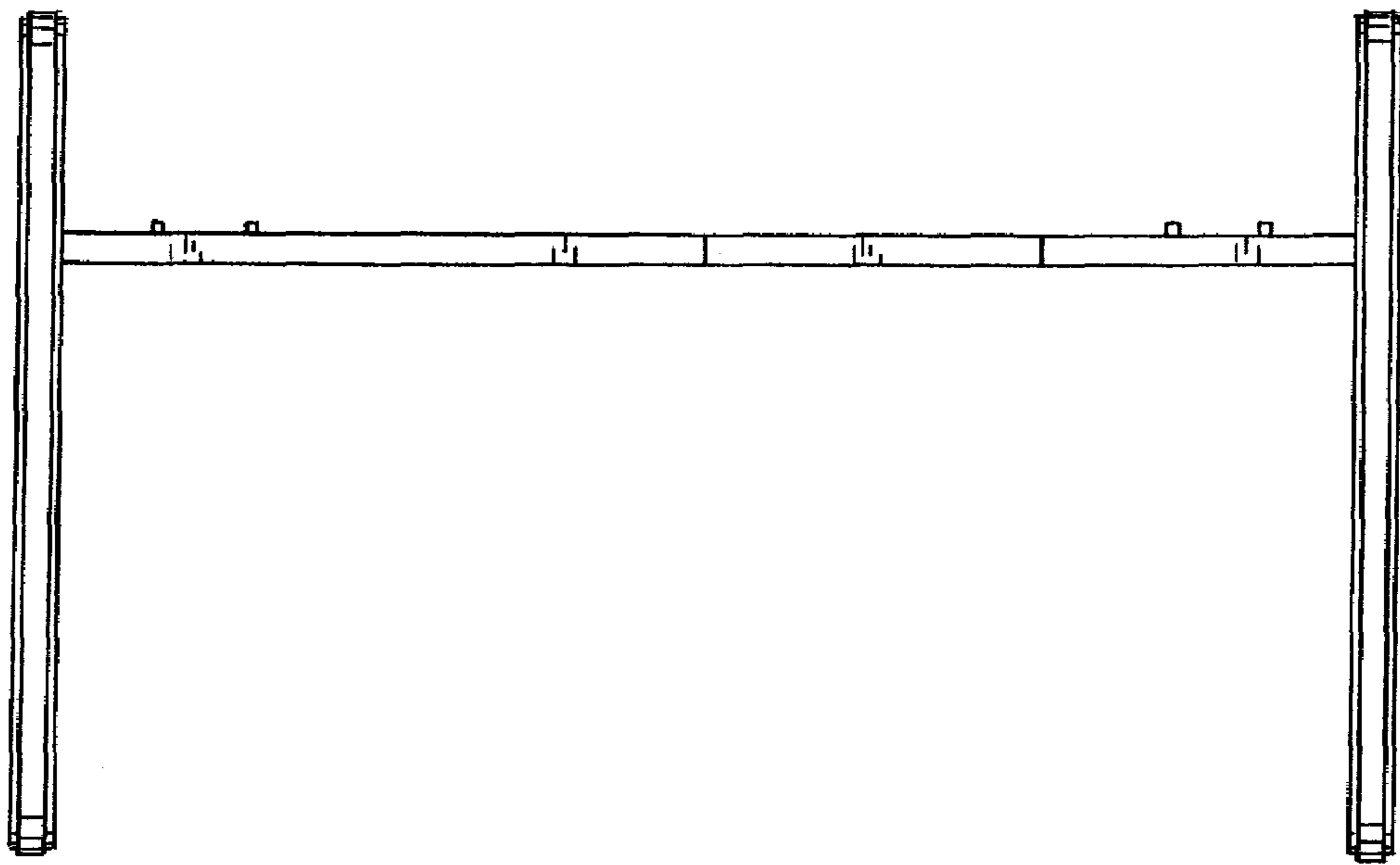


Fig. 9