



US00D609498S

(12) **United States Design Patent**
Wang

(10) **Patent No.:** **US D609,498 S**

(45) **Date of Patent:** **** Feb. 9, 2010**

(54) **WIRE BASKETS FOR GRANITE OR STONE
OR CULTURED MARBLE OR SOLID
SURFACE VANITY TOPS**

4,569,447 A * 2/1986 Cifranic 211/42
D555,943 S * 11/2007 Butler et al. D6/491
D556,475 S * 12/2007 Butler et al. D6/491
D556,476 S * 12/2007 Butler et al. D6/491
2005/0167381 A1 * 8/2005 Fariello 211/181.1

(76) Inventor: **Shao Wang**, 1930 W., 2300 South, Salt
Lake City, UT (US) 84119

* cited by examiner

(**) Term: **14 Years**

Primary Examiner—Caron Veynar

Assistant Examiner—Sydney R Buffalow

(21) Appl. No.: **29/342,690**

(74) *Attorney, Agent, or Firm*—QuickPatents, Inc.; Kevin
Prince

(22) Filed: **Aug. 29, 2009**

Related U.S. Application Data

(57) **CLAIM**

(62) Division of application No. 29/331,830, filed on Feb.
2, 2009.

I claim the ornamental design for a wire baskets for granite or
stone or cultured marble or solid surface vanity tops, as shown
and described.

(51) **LOC (9) Cl.** **06-04**

(52) **U.S. Cl.** **D6/462**

(58) **Field of Classification Search** D6/491,
D6/458, 461–468, 510, 479; D3/306; D30/106;
211/181.1, 42, 133.5, 133.2, 126.14, 126.8,
211/126.9

DESCRIPTION

See application file for complete search history.

FIG. 1 is a perspective view of a wire baskets for granite or
stone or cultured marble or solid surface vanity tops, showing
my new design;

FIG. 2 is a front elevational view thereof; the rear elevational
view being mirror image thereof;

FIG. 3 is a left-side elevational view thereof, the right-side
elevational view being a mirror image thereof;

(56) **References Cited**

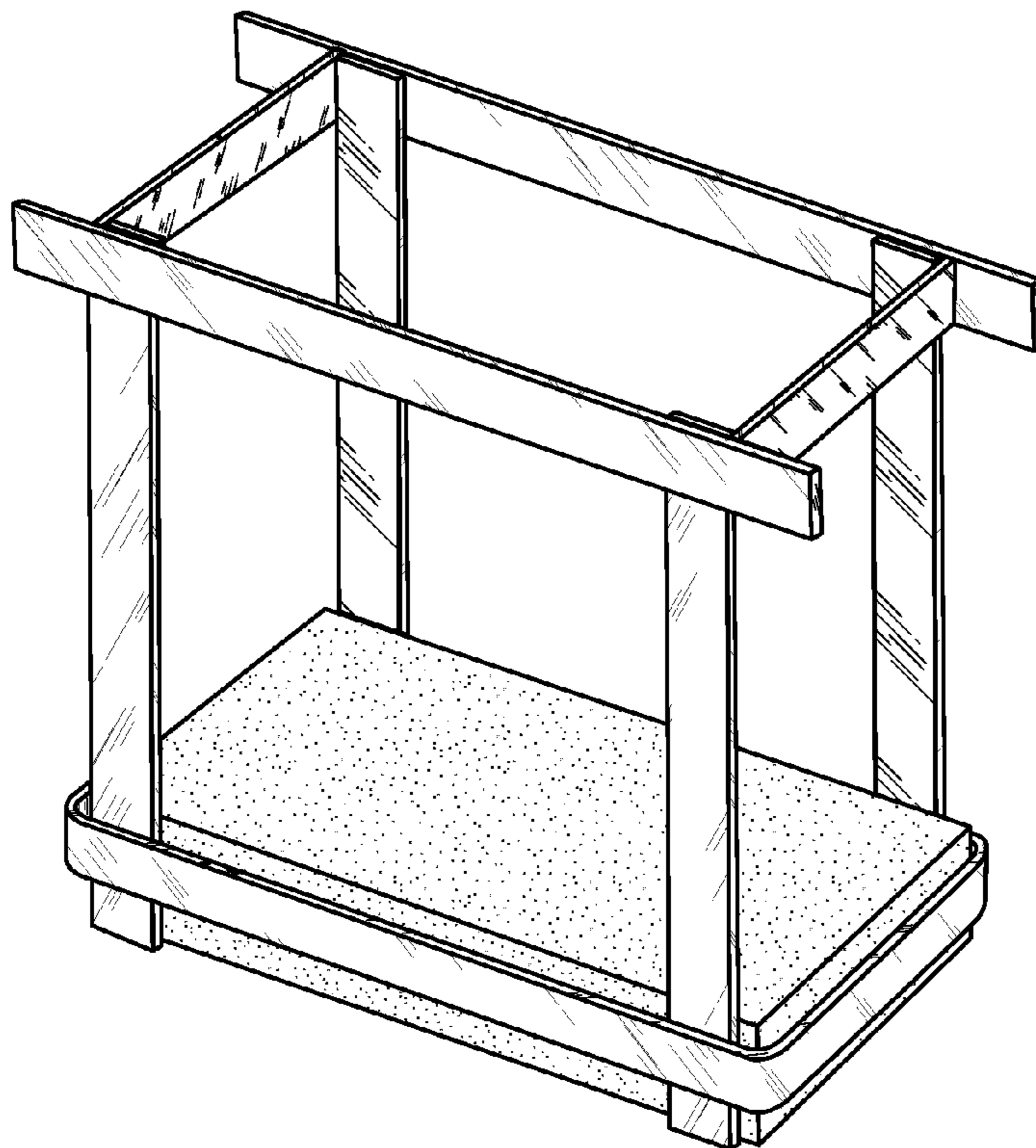
U.S. PATENT DOCUMENTS

D230,165 S * 1/1974 Young D30/106
D233,050 S * 10/1974 Young D30/106
D243,027 S * 1/1977 Young et al. D30/106
D264,761 S * 6/1982 Dekarski D3/306

FIG. 4 is a top plan view thereof; and,

FIG. 5 is a bottom plan view thereof.

1 Claim, 2 Drawing Sheets



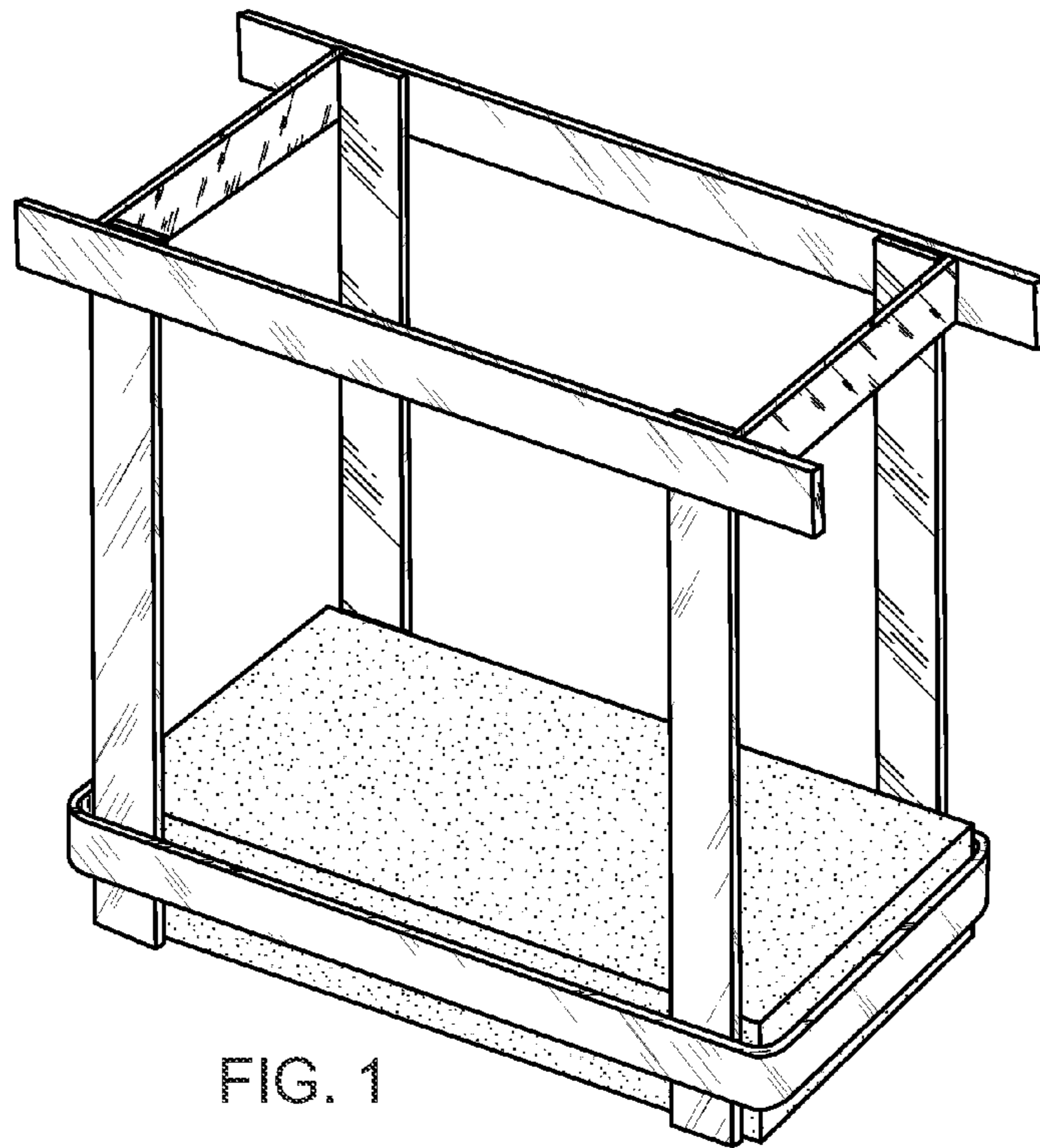


FIG. 1

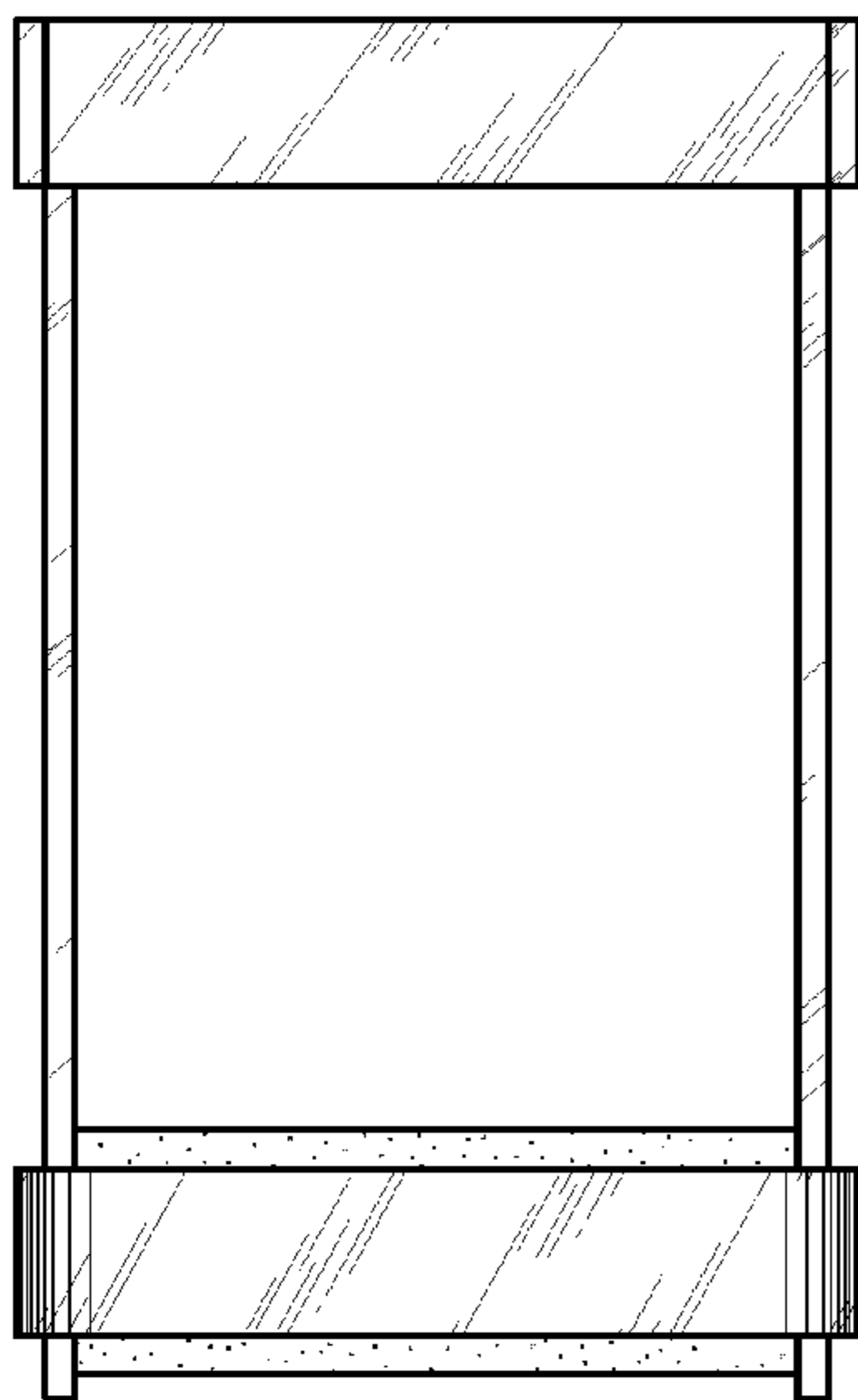


FIG. 2

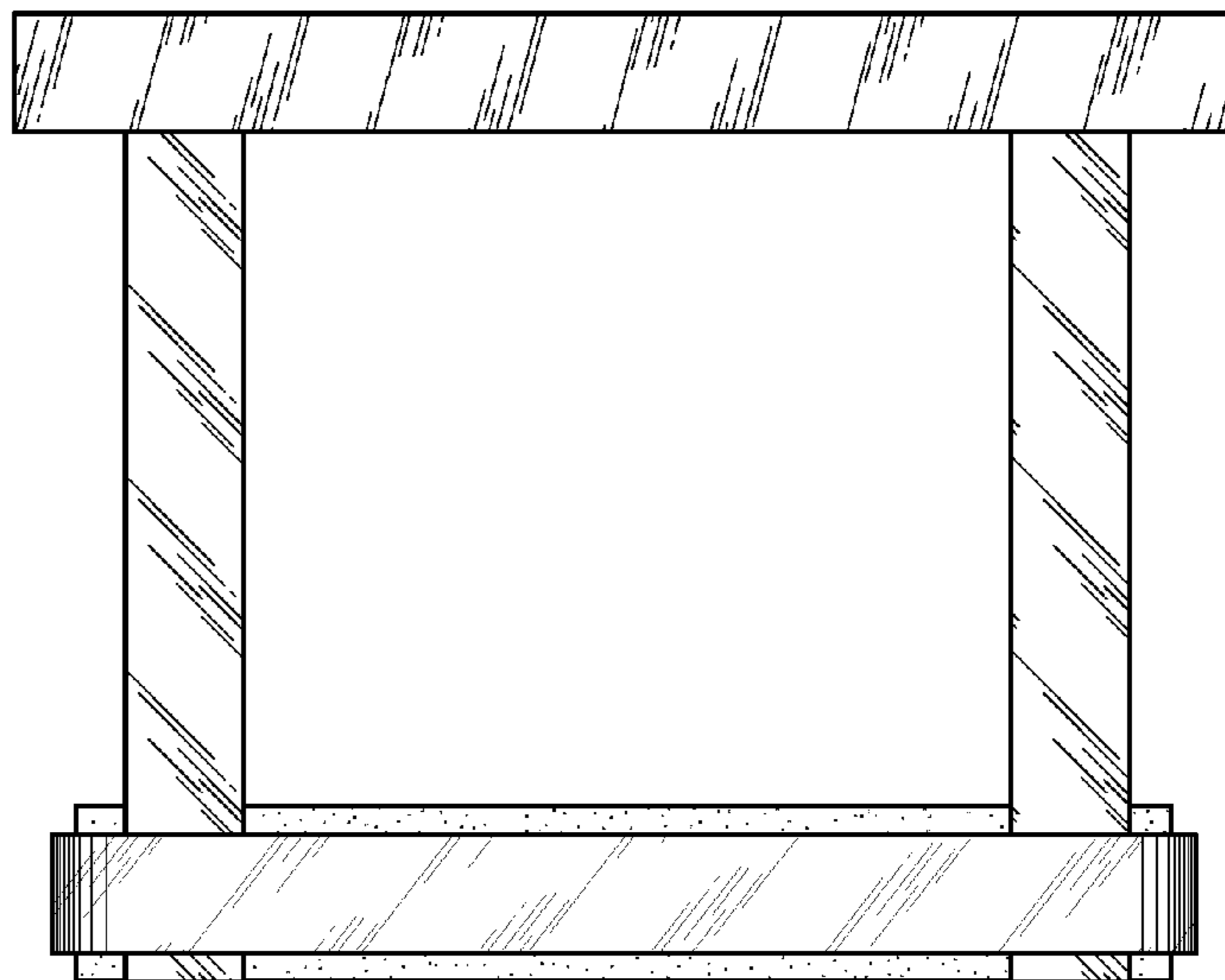


FIG. 3

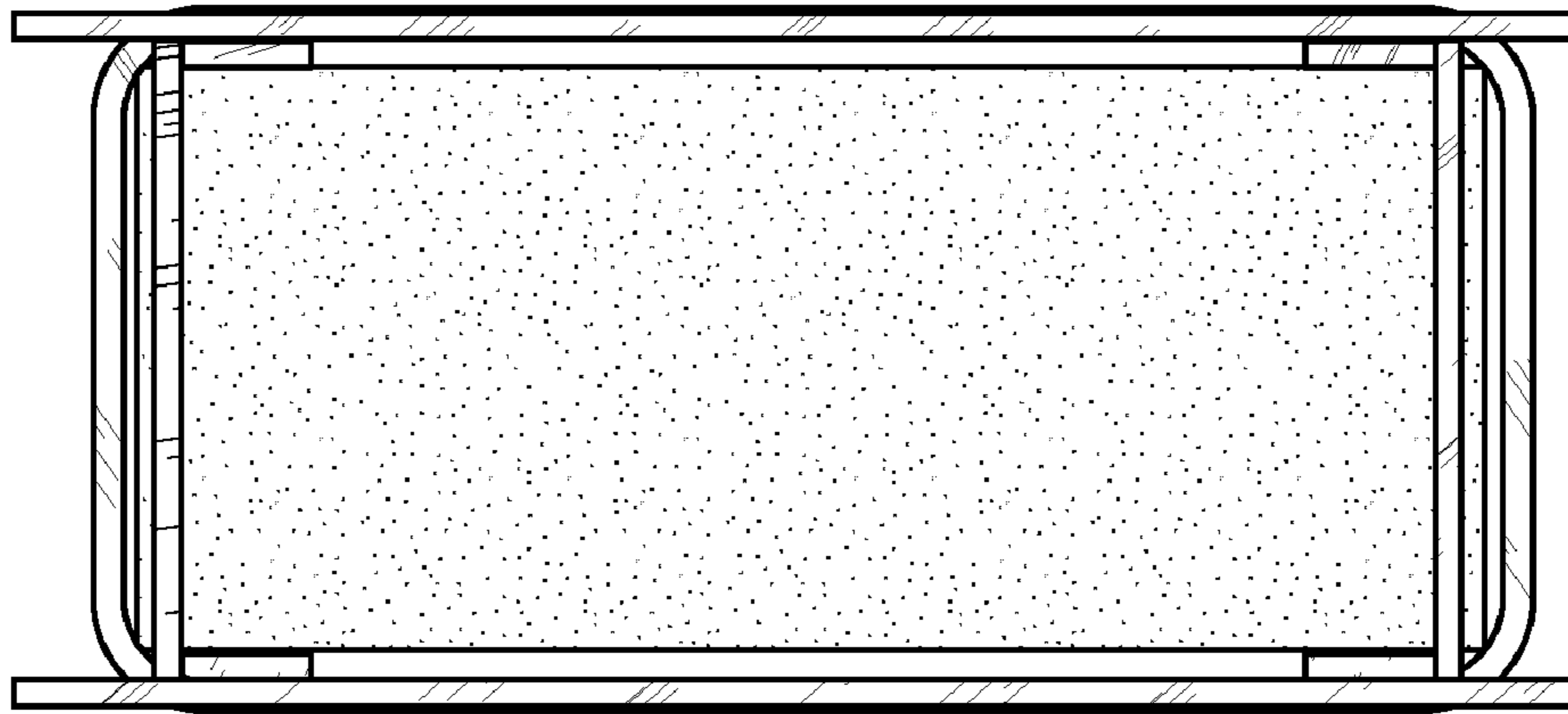


FIG. 4

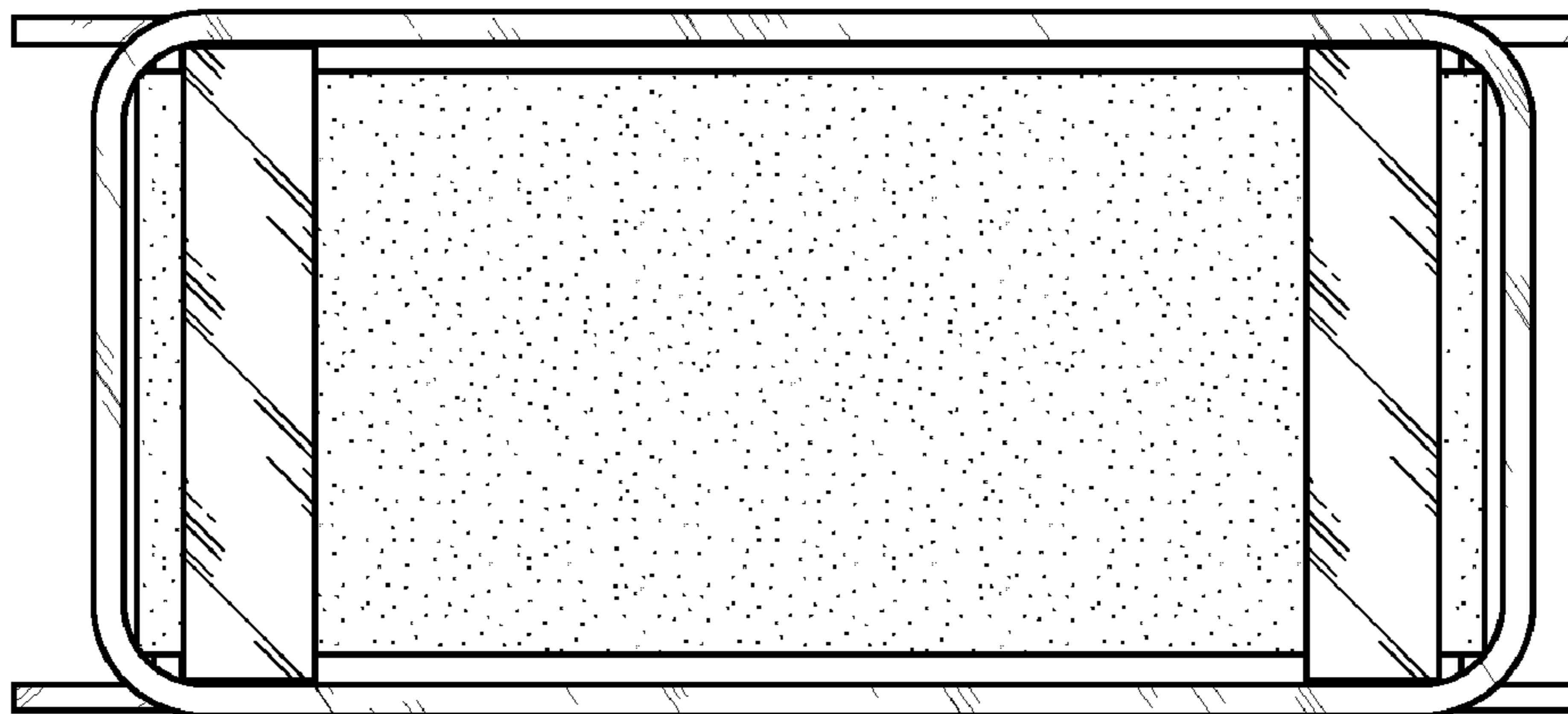


FIG. 5