



US00D609491S

(12) **United States Design Patent**
Lievore

(10) **Patent No.:** **US D609,491 S**

(45) **Date of Patent:** **** Feb. 9, 2010**

(54) **BENCH SEAT**

(75) Inventor: **Alberto Lievore**, Barcelona (ES)

(73) Assignee: **Arper S.p.A.**, Monastier Di Treviso (IT)

(**) Term: **14 Years**

(21) Appl. No.: **29/307,891**

(22) Filed: **May 19, 2008**

Related U.S. Application Data

(63) Continuation of application No. 29/267,467, filed on Oct. 16, 2006.

(30) **Foreign Application Priority Data**

Apr. 21, 2006 (EM) 517206

(51) **LOC (9) Cl.** **06-01**

(52) **U.S. Cl.** **D6/381**

(58) **Field of Classification Search** D6/334-337,
D6/346, 377, 381, 500-502; 297/232, 445.1;
5/12.1, 12.2

See application file for complete search history.

(56) **References Cited**

U.S. PATENT DOCUMENTS

3,124,390 A * 3/1964 Eames et al. 297/452.19
3,990,741 A * 11/1976 Snyder et al. 297/248
D253,859 S * 1/1980 Hosoe D6/372
D346,283 S * 4/1994 Kolberg D6/374

D412,622 S * 8/1999 DeJule D6/371
6,095,603 A * 8/2000 Hock 297/232
D445,574 S * 7/2001 Foster D6/336
D498,077 S * 11/2004 Tonizzo D6/381
D537,648 S * 3/2007 Moschini D6/381

* cited by examiner

Primary Examiner—Sandra Snapp

(74) *Attorney, Agent, or Firm*—Scully, Scott, Murphy & Presser, P.C.

(57) **CLAIM**

The ornamental design for a bench seat, as shown and described.

DESCRIPTION

FIG. 1 illustrates a front perspective view of the bench seat showing my new and ornamental design;

FIG. 2 illustrates a front view thereof;

FIG. 3 illustrates a rear view thereof;

FIG. 4 illustrates a top view thereof;

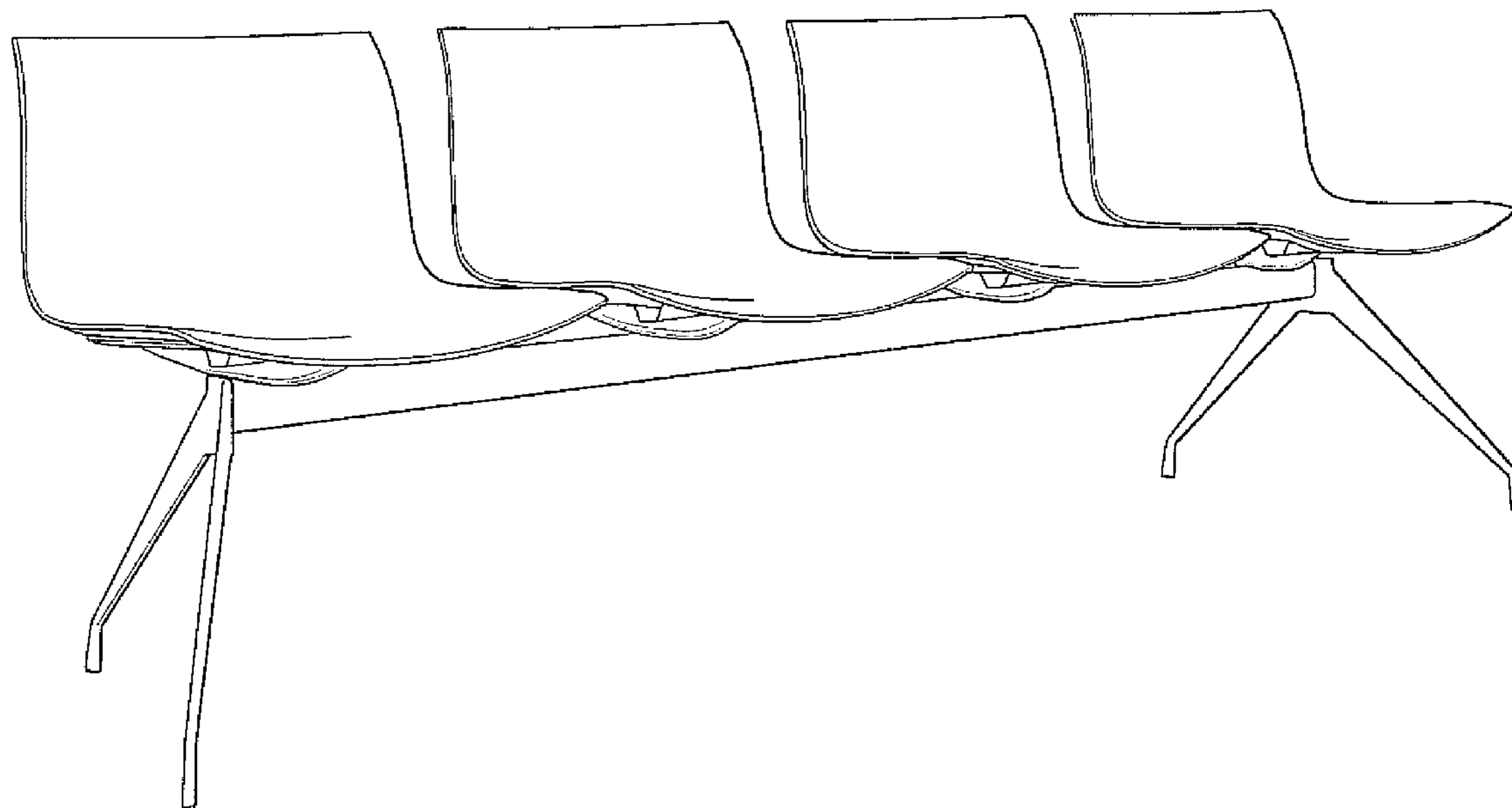
FIG. 5 illustrates a bottom plan view thereof;

FIG. 6 illustrates a left side view thereof; and,

FIG. 7 illustrates a right side view thereof.

The subject matter shown in phantom lines in the drawings is for illustrative purposes only and forms no part of the claimed design.

1 Claim, 6 Drawing Sheets



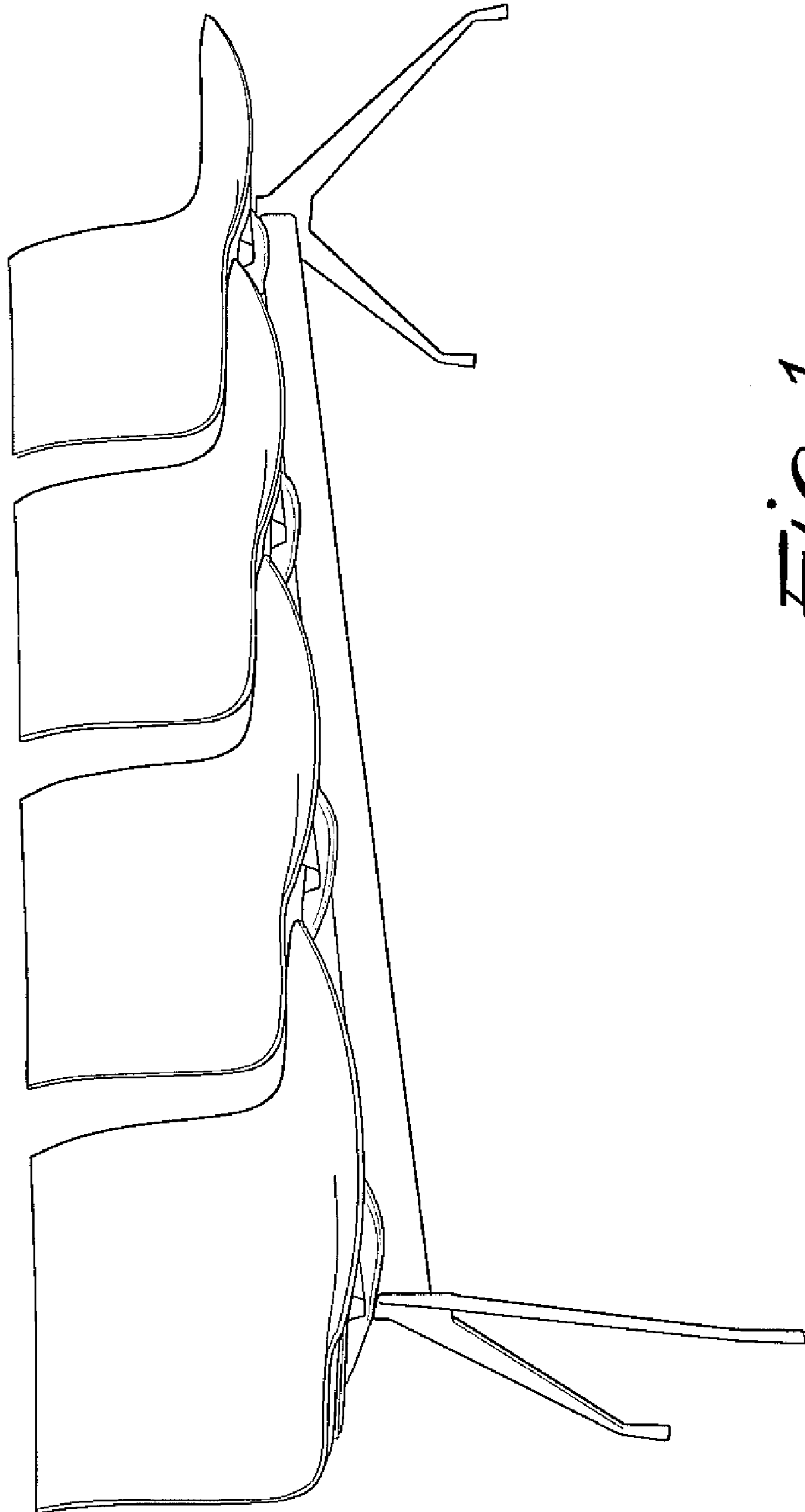


Fig. 1

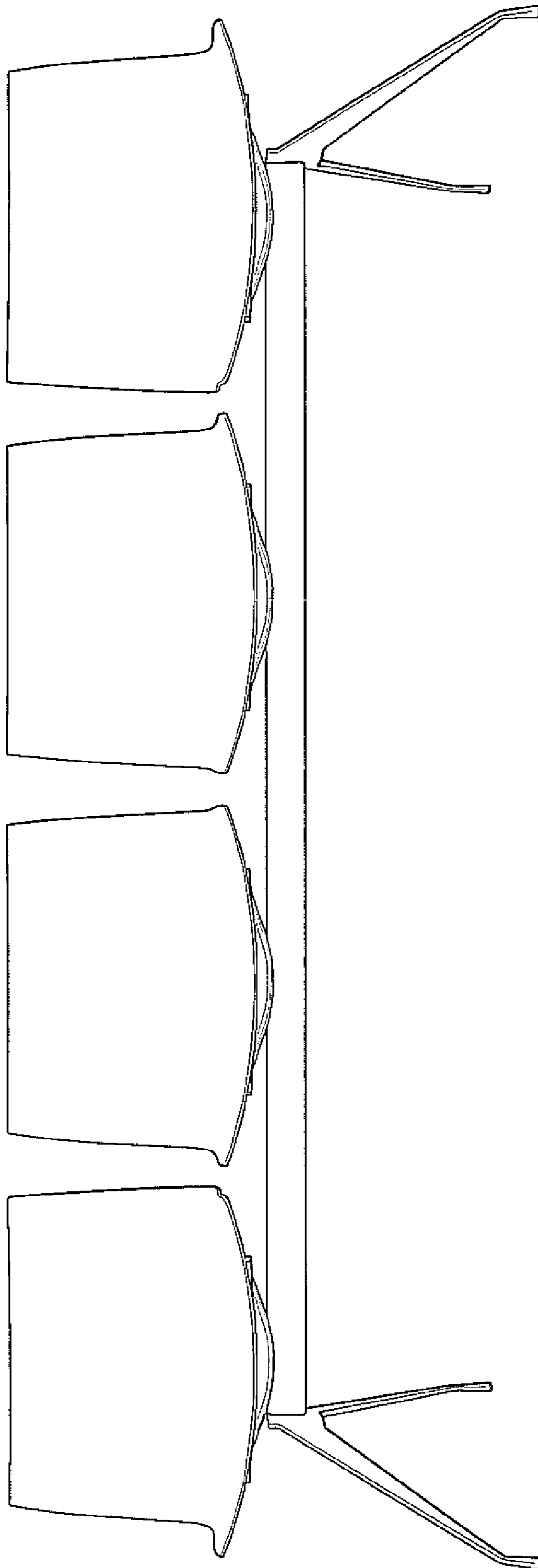


Fig. 2

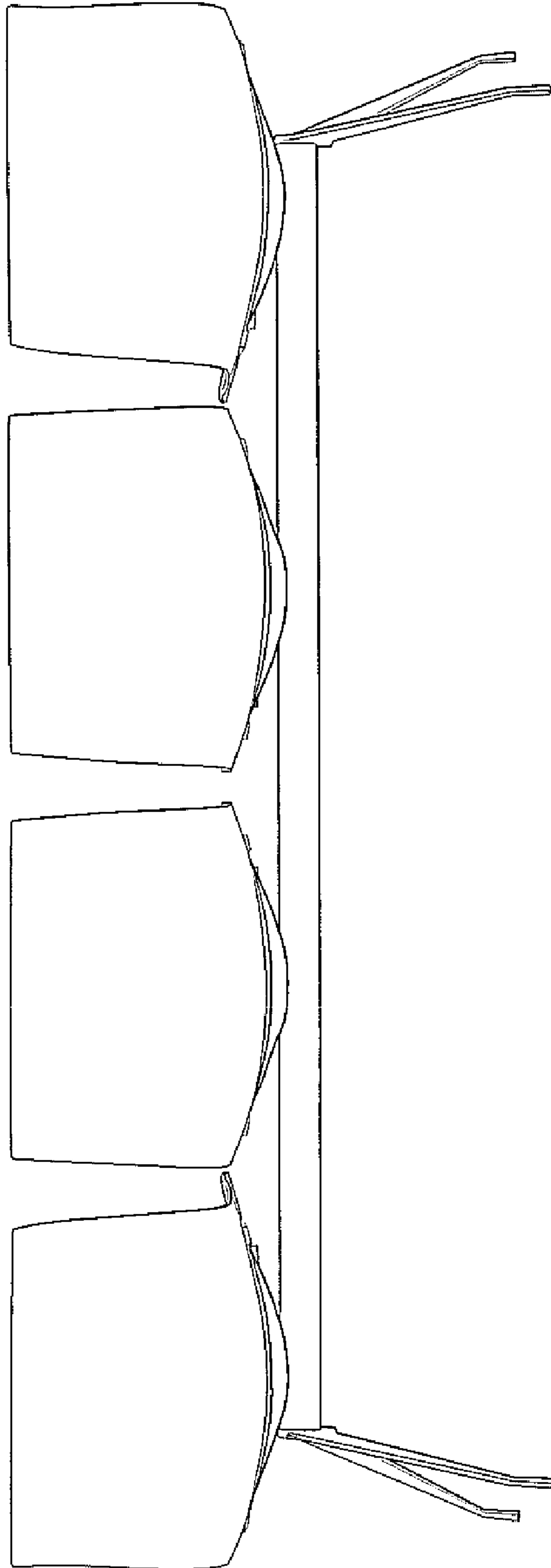


Fig. 3

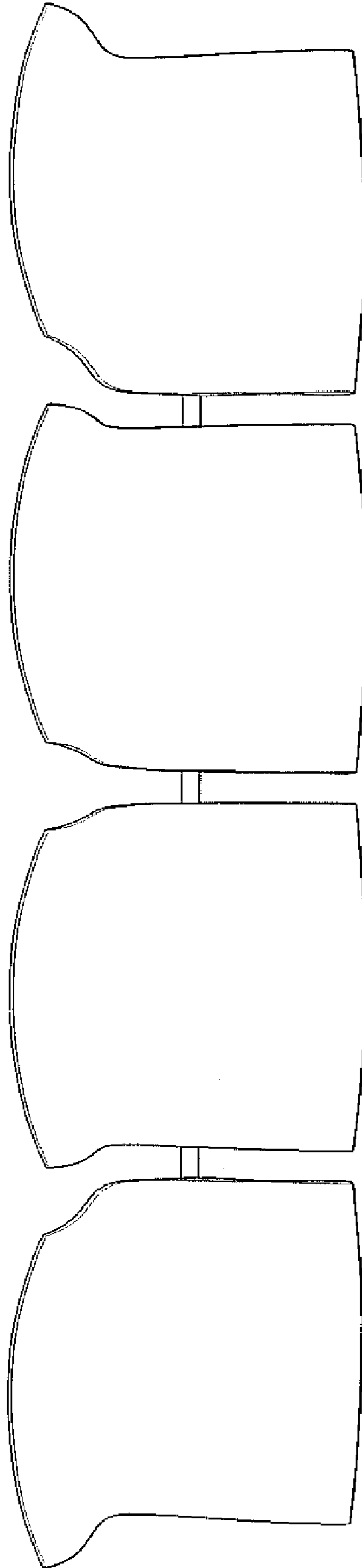


Fig. 4

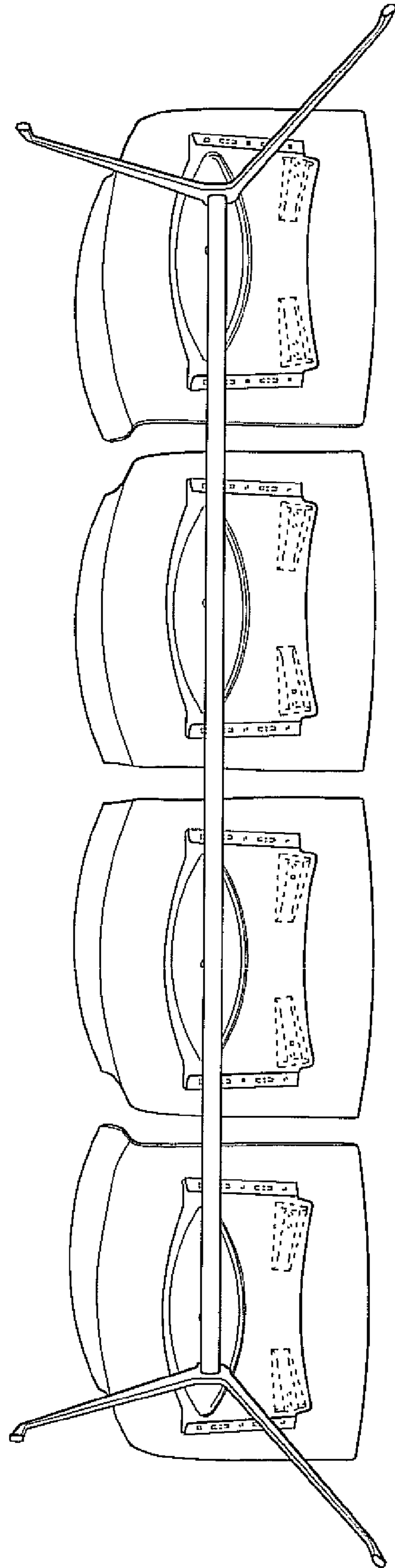


Fig. 5

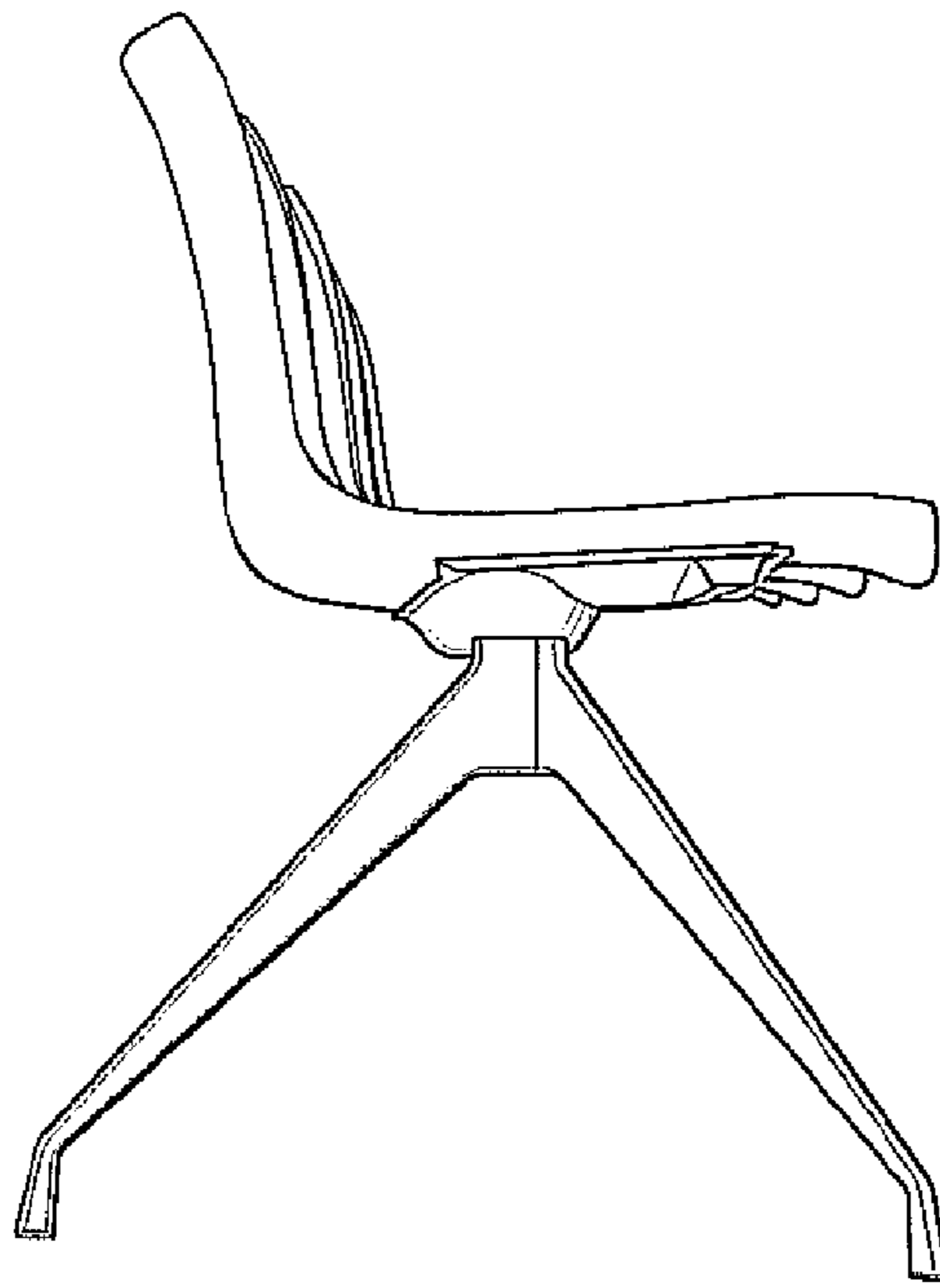


Fig. 6

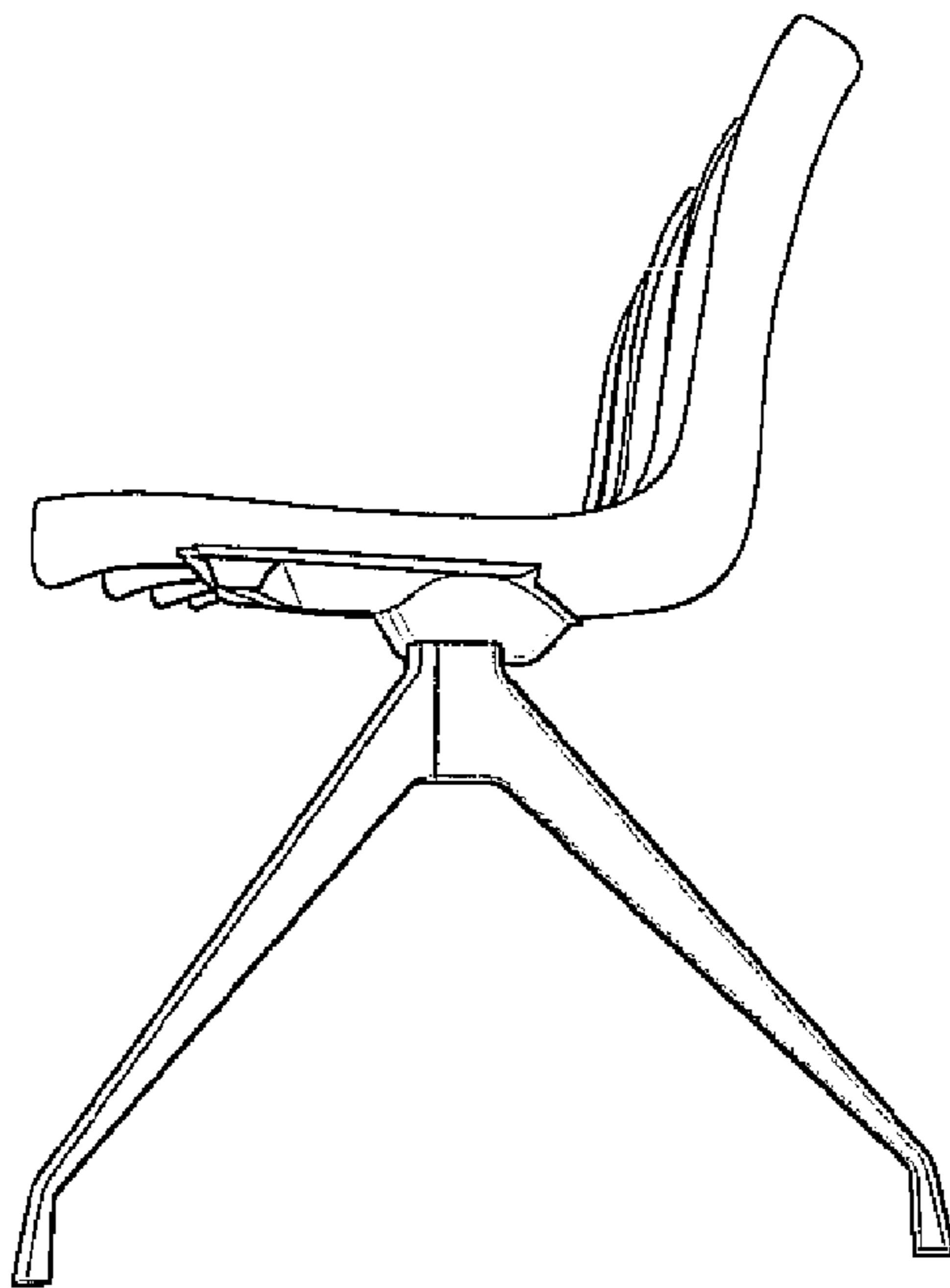


Fig. 7