



US00D609489S

(12) **United States Design Patent**
Adams et al.

(10) **Patent No.:** **US D609,489 S**

(45) **Date of Patent:** **** *Feb. 9, 2010**

(54) **CHAIR WITH CROSS FRAME CHASSIS**

(75) Inventors: **Sumner Adams**, Corydon, IN (US); **Lon Amerman**, Louisville, KY (US); **Dan Seiler**, Cameron, TX (US)

(73) Assignee: **Royal Seating, LLC**, Cameron, TX (US)

(*) Notice: This patent is subject to a terminal disclaimer.

(**) Term: **14 Years**

(21) Appl. No.: **29/277,572**

(22) Filed: **Mar. 1, 2007**

(51) **LOC (9) Cl.** **06-01**

(52) **U.S. Cl.** **D6/375**

(58) **Field of Classification Search** D6/334-336, D6/366, 371-373, 374, 375, 376, 379, 380, D6/499, 500-502; 297/DIG. 2, 239, 445.1, 297/446.1, 448.1, 452.12, 452.19, 452.2

See application file for complete search history.

(56) **References Cited**

U.S. PATENT DOCUMENTS

D193,708 S *	10/1962	Keown	D6/375
D255,184 S *	6/1980	Locher	D6/375
D255,185 S *	6/1980	Locher	D6/375
D307,221 S *	4/1990	Mudge	D6/502
D410,152 S *	5/1999	Pensi Lombardo	D6/375
D422,806 S *	4/2000	Neil	D6/375
D464,208 S *	10/2002	Kwon	D6/373
D566,979 S *	4/2008	Cox et al.	D6/375

D572,049 S *	7/2008	Kerr	D6/500
D572,928 S *	7/2008	Rittfeldt et al.	D6/375
D574,161 S *	8/2008	Sneujink et al.	D6/379
D582,692 S *	12/2008	Kerr	D6/375
D597,758 S *	8/2009	Barrett et al.	D6/375

* cited by examiner

Primary Examiner—Mimosa De

(74) *Attorney, Agent, or Firm*—George Tompkins; Tompkins PC

(57) **CLAIM**

The ornamental design for a chair with cross frame chassis, as shown and described.

DESCRIPTION

FIG. 1 is a perspective view of the chair with cross frame chassis of the present invention.

FIG. 2 is a front view of the chair with cross frame chassis of the present invention.

FIG. 3 is a side view of the chair with cross frame chassis of the present invention.

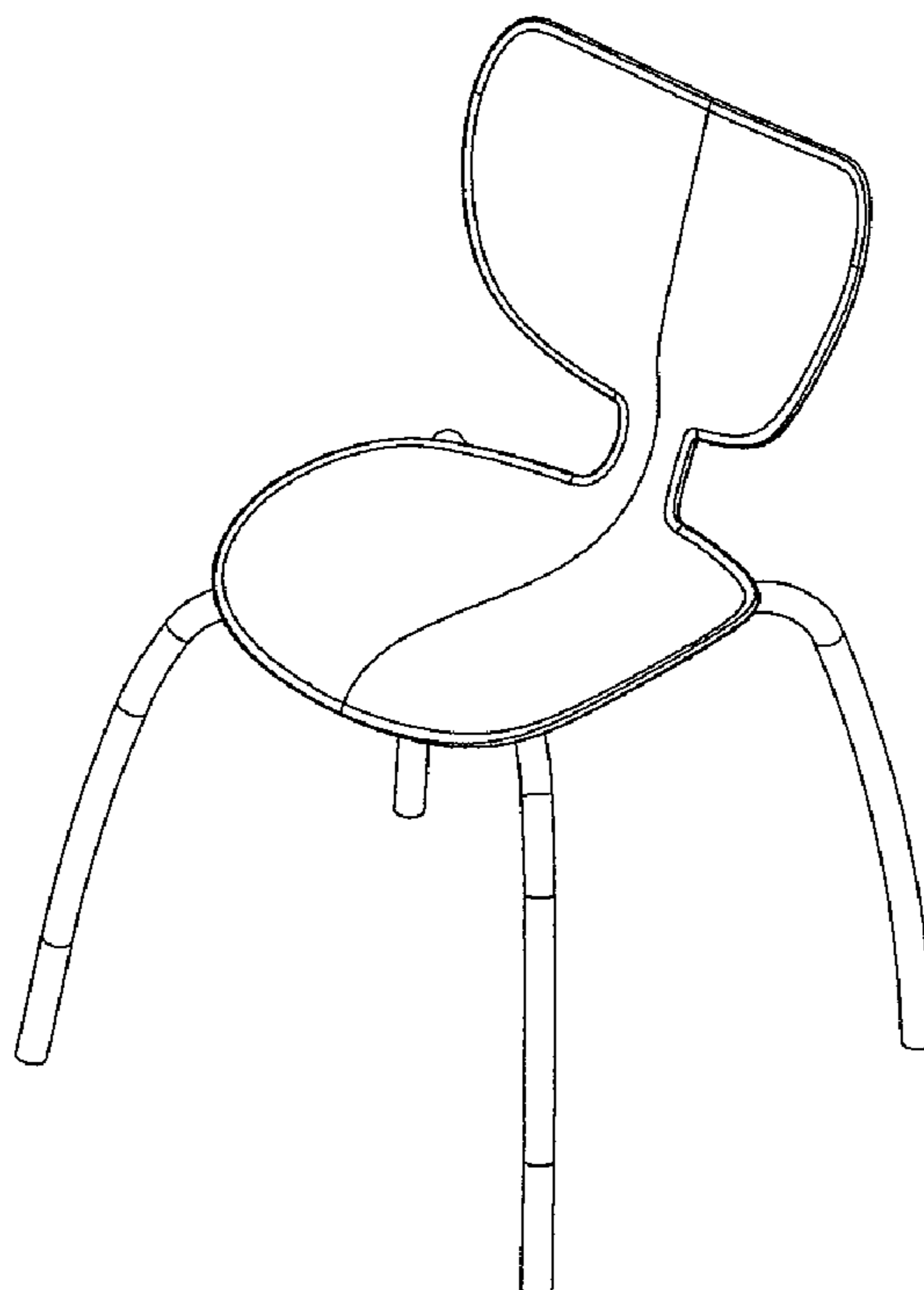
FIG. 4 is a rear view of the chair with cross frame chassis of the present invention.

FIG. 5 is a top view of the chair with cross frame chassis of the present invention.

FIG. 6 is an opposite side view of the chair with cross frame chassis of the present invention; and,

FIG. 7 is a bottom view of the chair with cross frame chassis of the present invention.

1 Claim, 7 Drawing Sheets



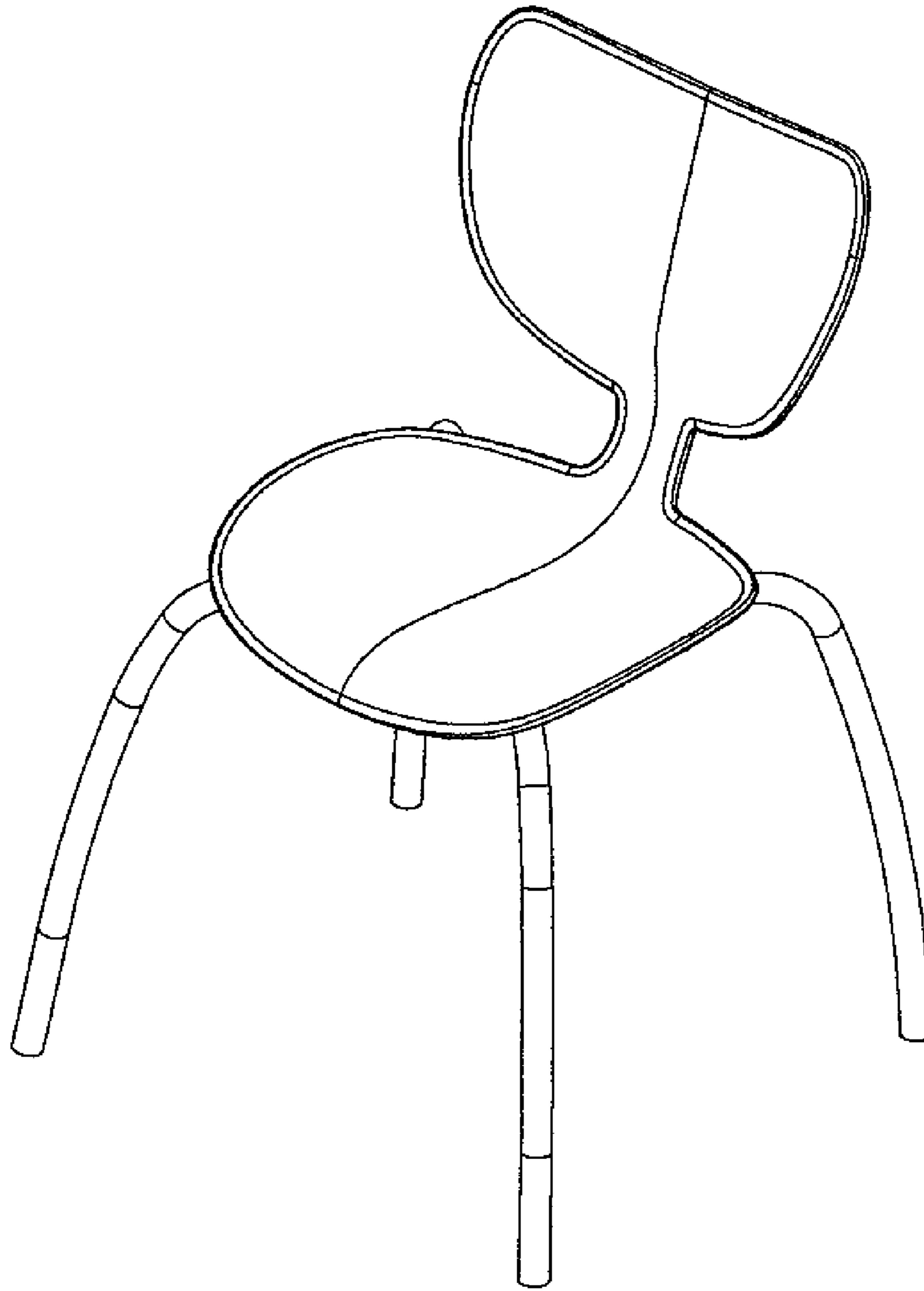


FIGURE 1

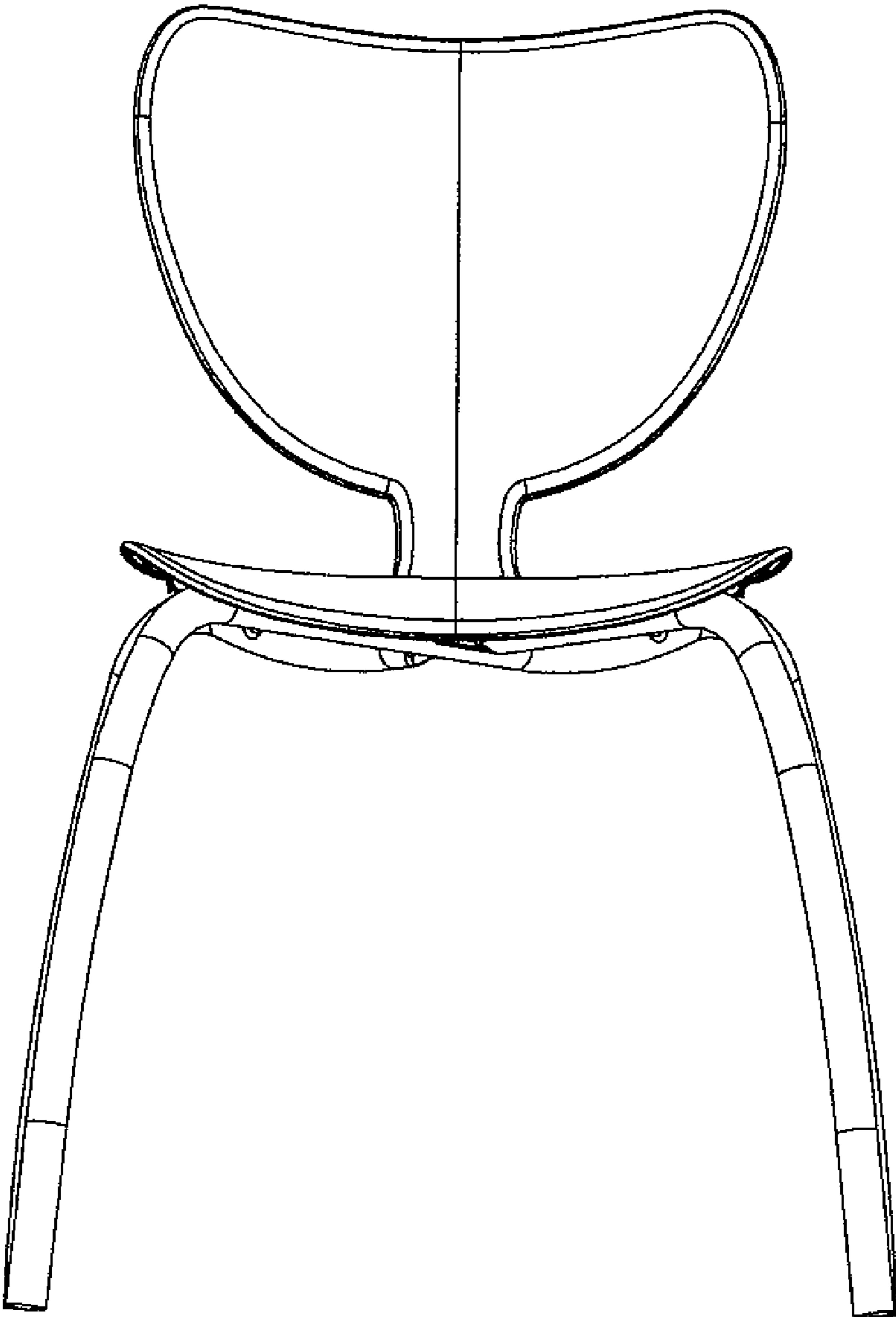


FIGURE 2

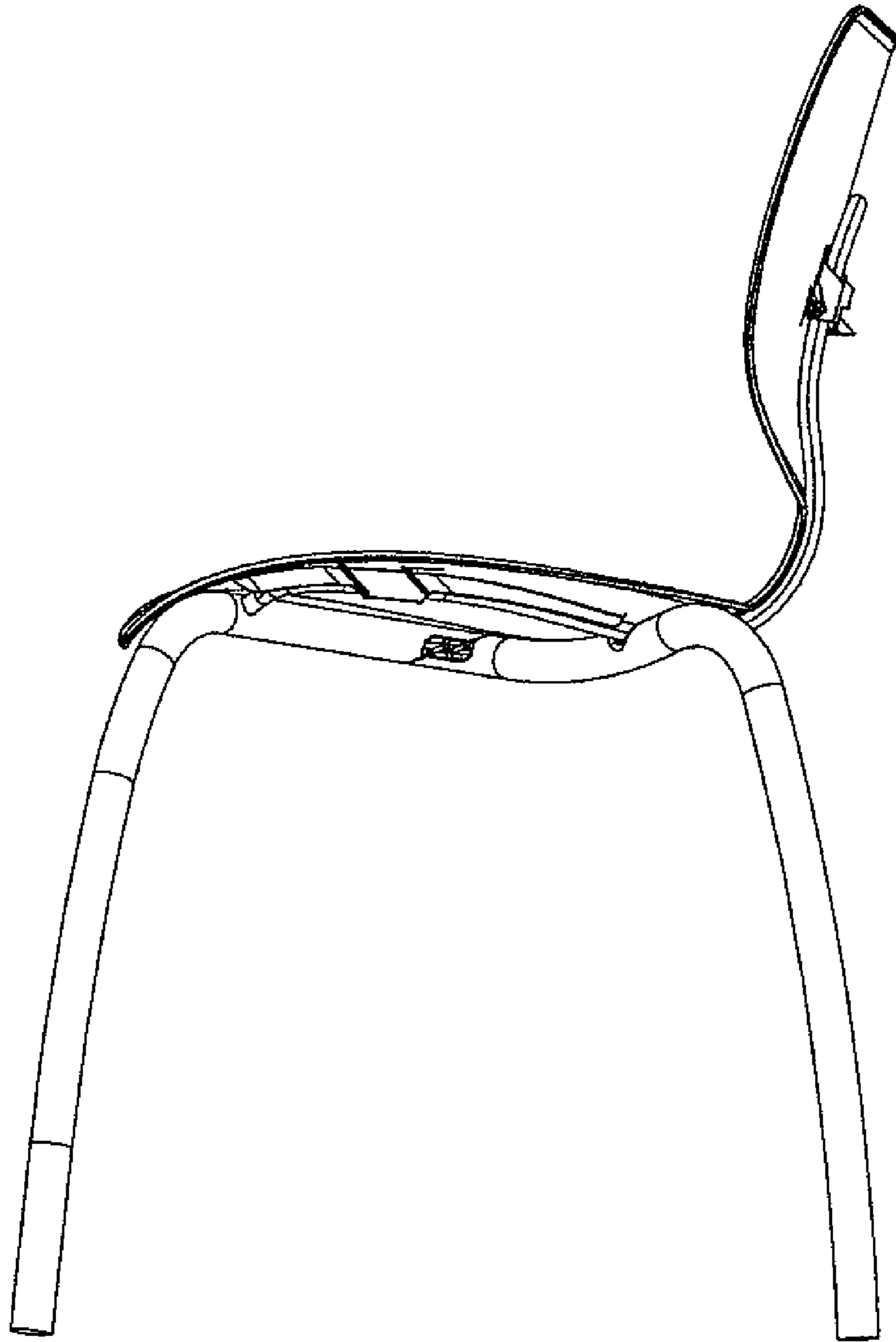


FIGURE 3

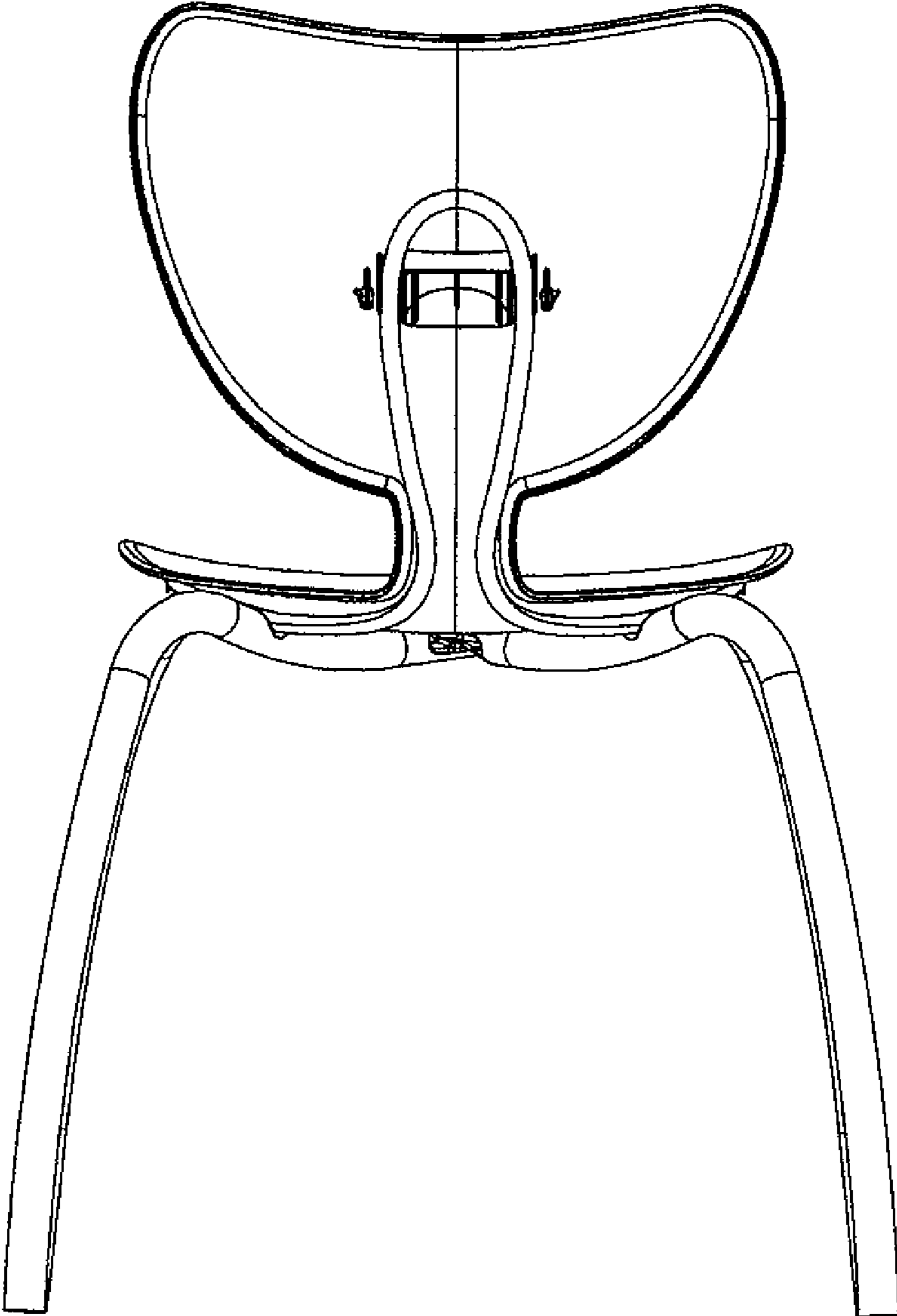


FIGURE 4

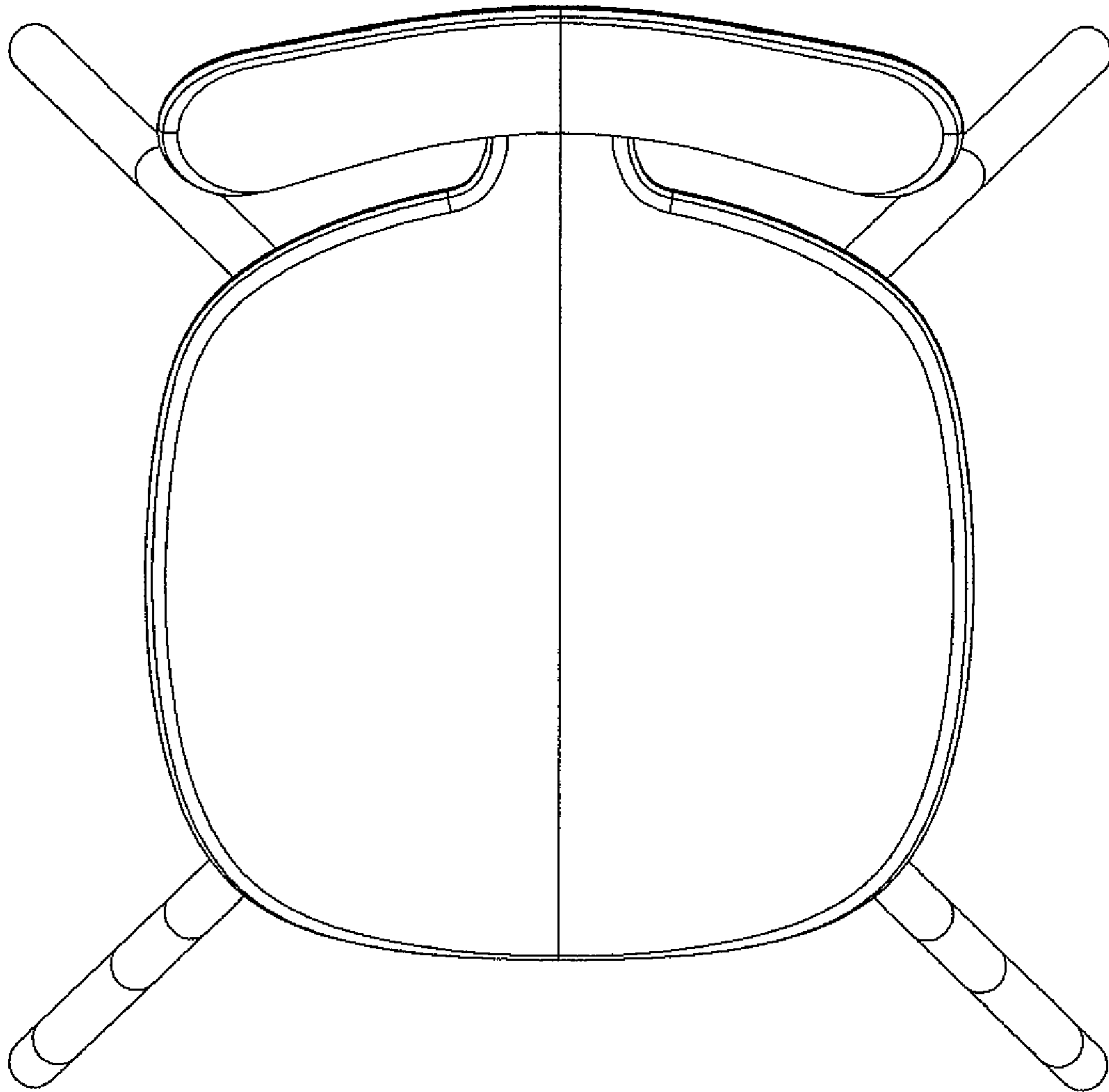


FIGURE 5

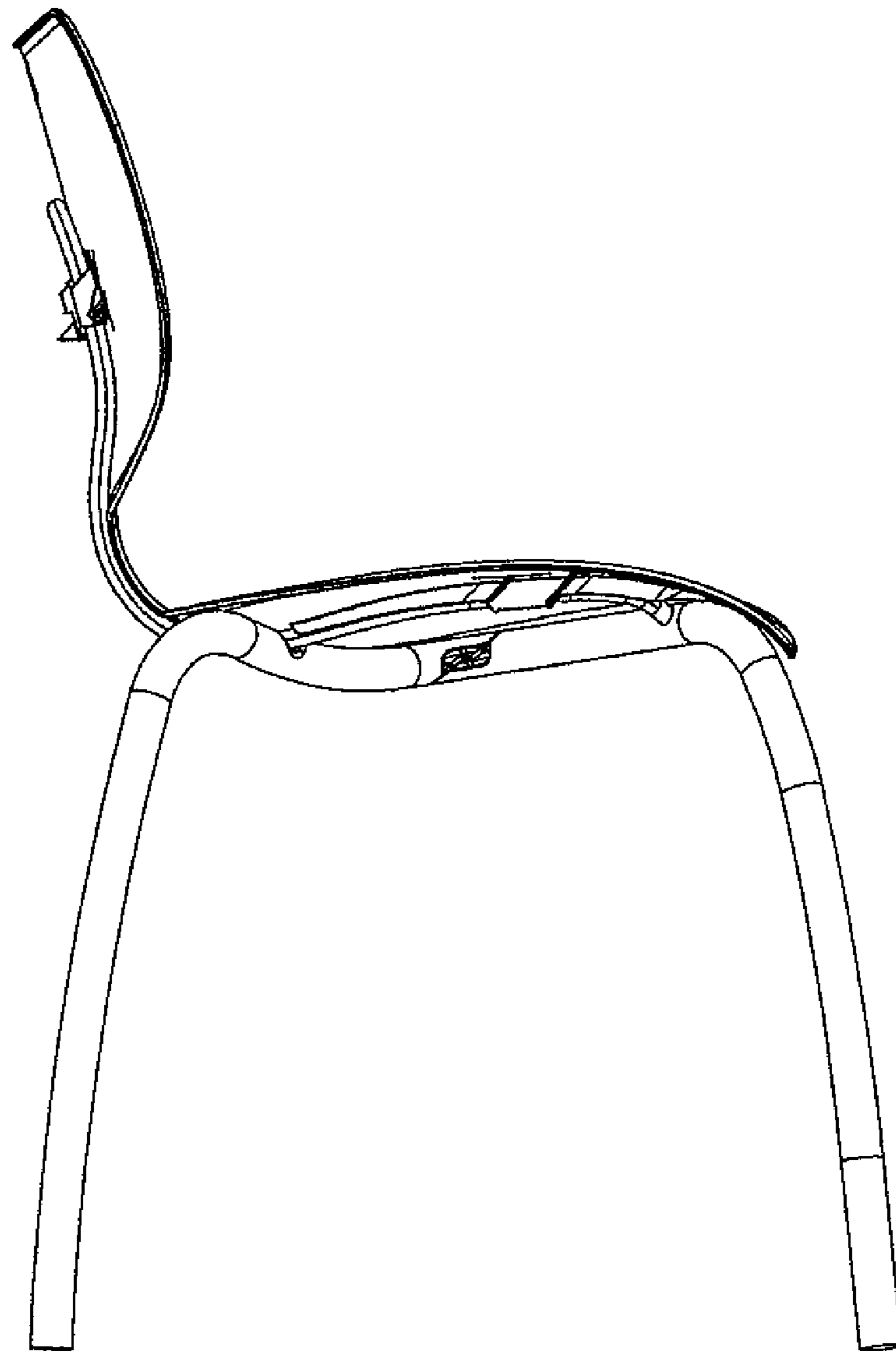


FIGURE 6

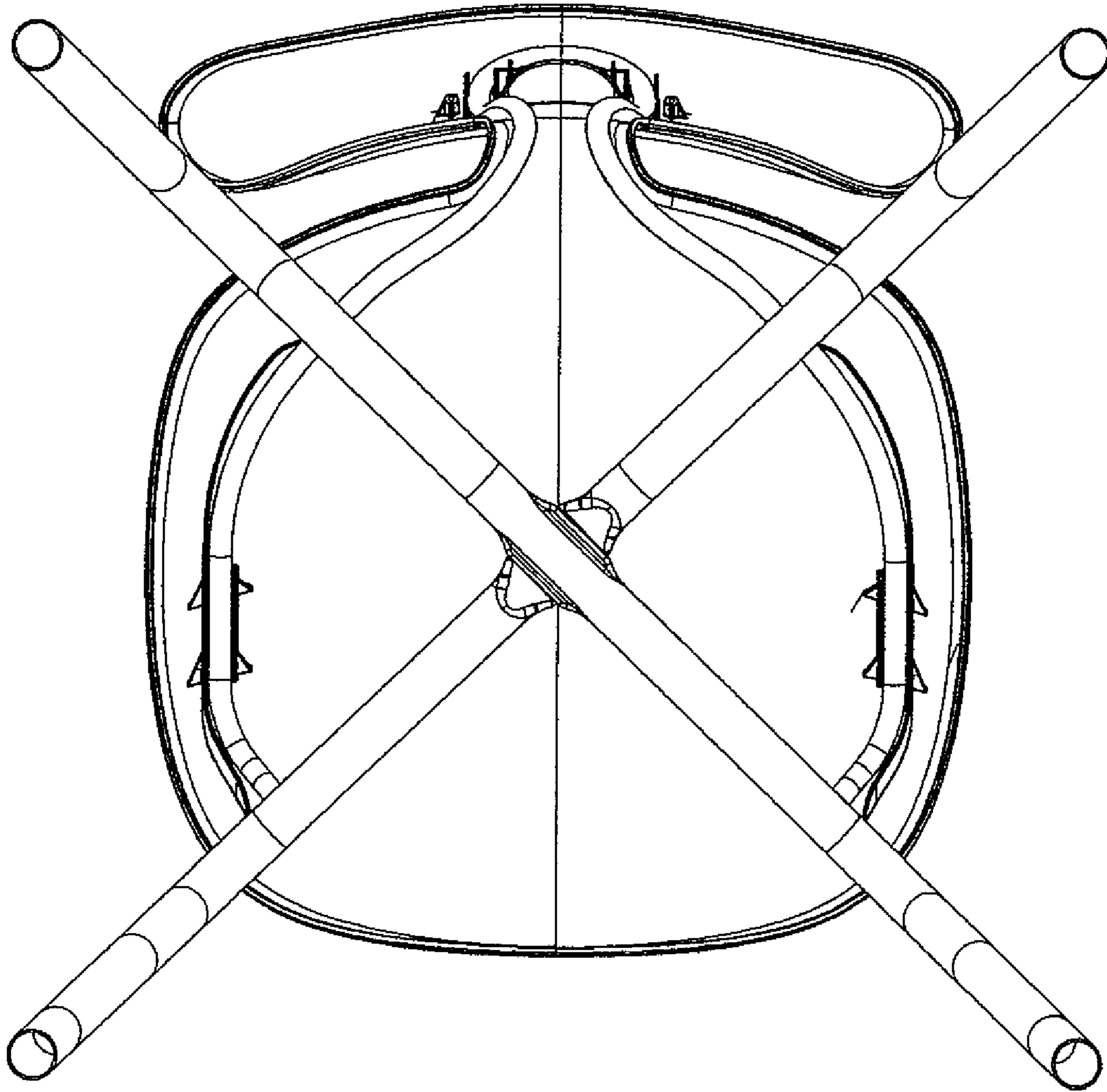


FIGURE 7