



US00D609484S

(12) **United States Design Patent**
Satoshi

(10) **Patent No.:** **US D609,484 S**

(45) **Date of Patent:** **** Feb. 9, 2010**

(54) **CHAIR**

(76) Inventor: **Izumi Satoshi**, Room 1806 Tokyo Park
Tower 1-103 Jinbocho, Kanda, Tokyo
(JP)

(**) Term: **14 Years**

(21) Appl. No.: **29/340,316**

(22) Filed: **Jul. 16, 2009**

(51) **LOC (9) Cl.** **06-01**

(52) **U.S. Cl.** **D6/368**

(58) **Field of Classification Search** D6/334-336,
D6/367, 368, 371, 373, 374, 375, 376, 379,
D6/380, 499, 500-502; 297/16.1, 18, 31,
297/45, 46, 56, 452.13, 452.2

See application file for complete search history.

(56) **References Cited**

U.S. PATENT DOCUMENTS

3,941,416	A *	3/1976	Uchida	297/45
D244,646	S *	6/1977	Uchida	D6/368
D265,444	S *	7/1982	Nii	D6/373
D360,082	S *	7/1995	Tseng	D6/368
D461,326	S *	8/2002	Bouroullec et al.	D6/368

* cited by examiner

Primary Examiner—Mimosa De

(74) *Attorney, Agent, or Firm*—QuickPatents, Inc.; Kevin Prince

(57) **CLAIM**

I claim the ornamental design for a chair, as shown and described.

DESCRIPTION

FIG. 1 is a perspective view of a chair, illustrated in an expanded configuration, showing my new design;

FIG. 2 is a perspective view thereof, illustrated in a collapsed configuration;

FIG. 3 is a front elevational view thereof, illustrated in the expanded configuration;

FIG. 4 is a rear elevational view thereof, illustrated in the expanded configuration;

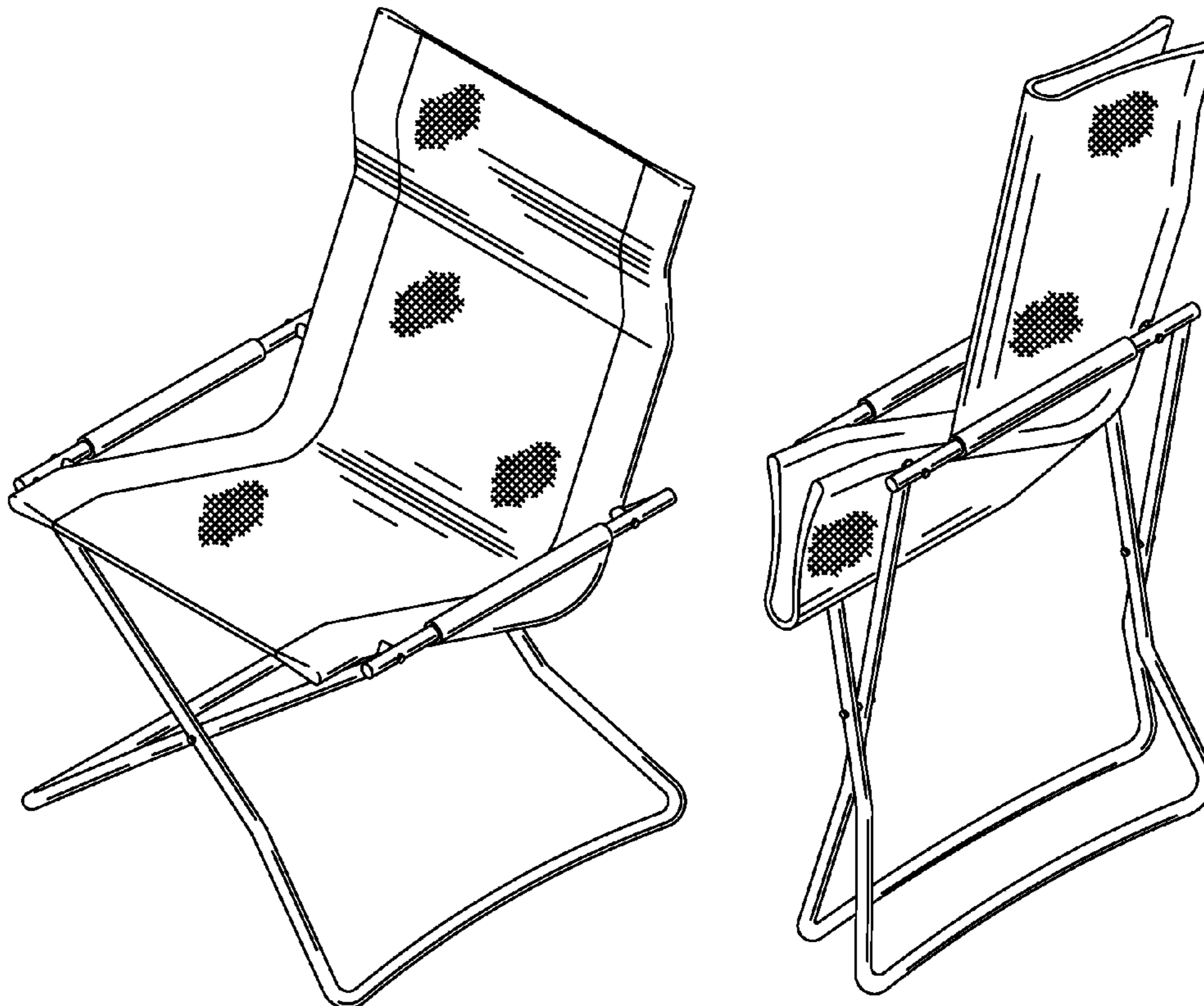
FIG. 5 is a right-side elevational view thereof, illustrated in the expanded configuration;

FIG. 6 is a left-side elevational view thereof, illustrated in the expanded configuration;

FIG. 7 is a top plan view thereof, illustrated in the expanded configuration; and,

FIG. 8 is a bottom plan view thereof, illustrated in the expanded configuration.

1 Claim, 3 Drawing Sheets



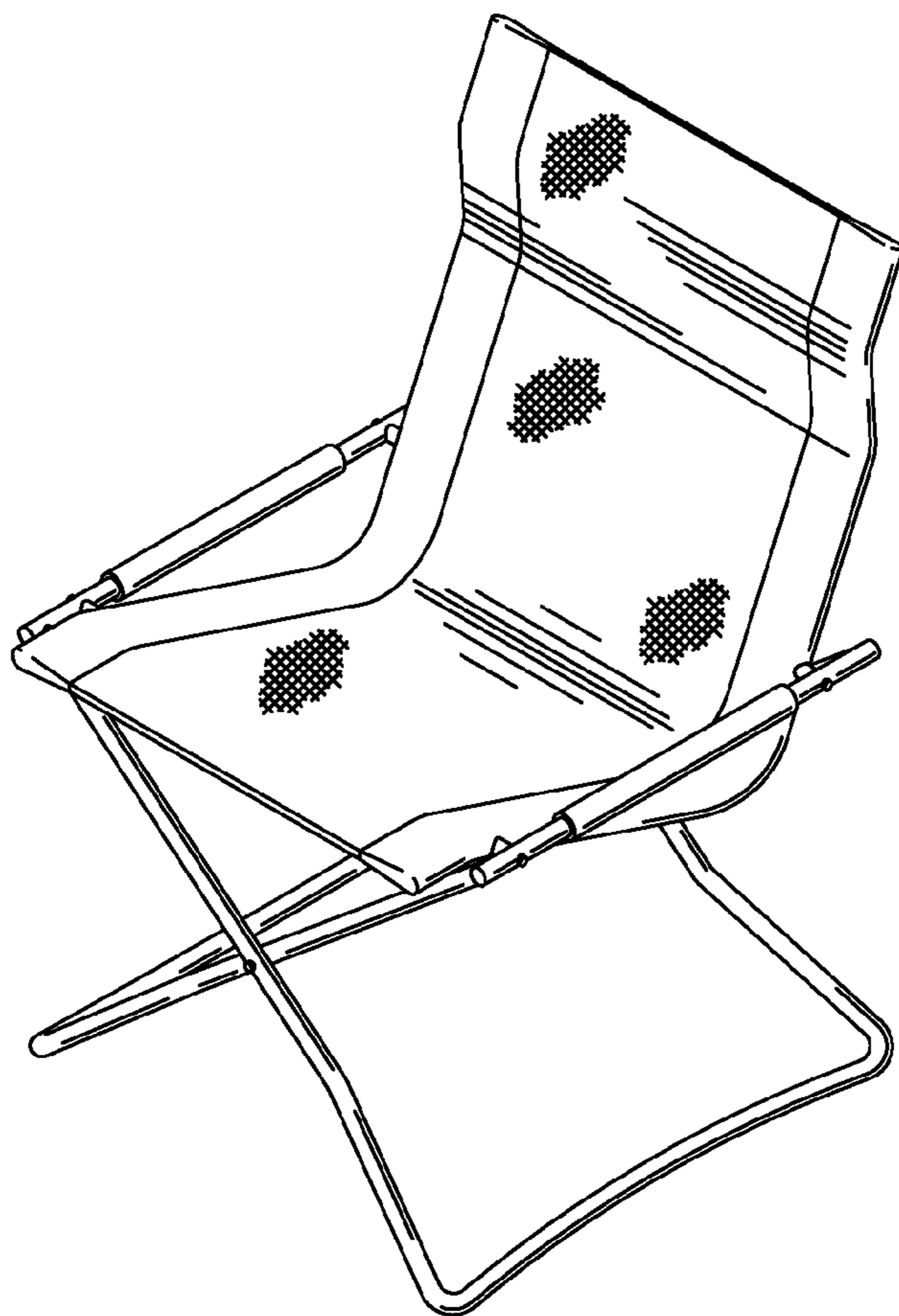


FIG. 1

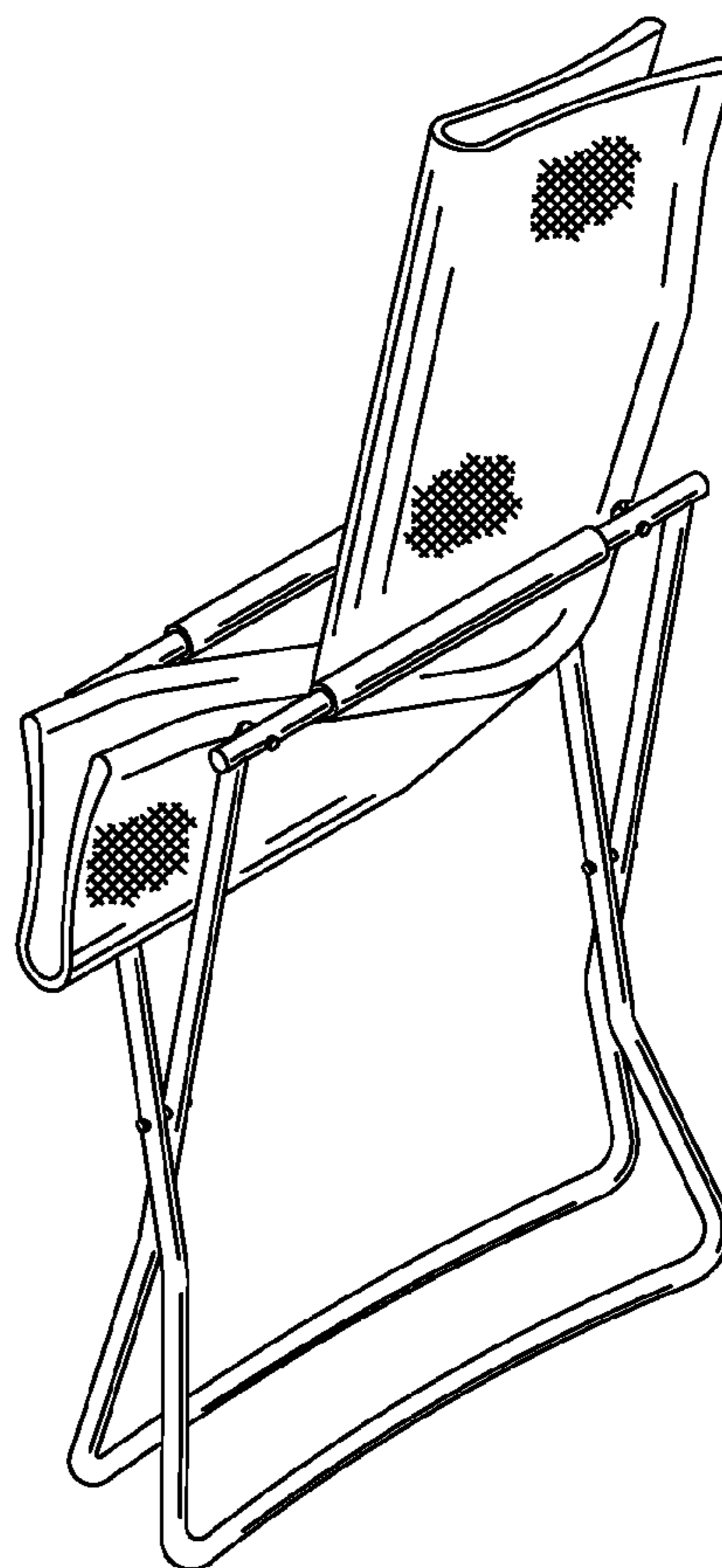


FIG. 2

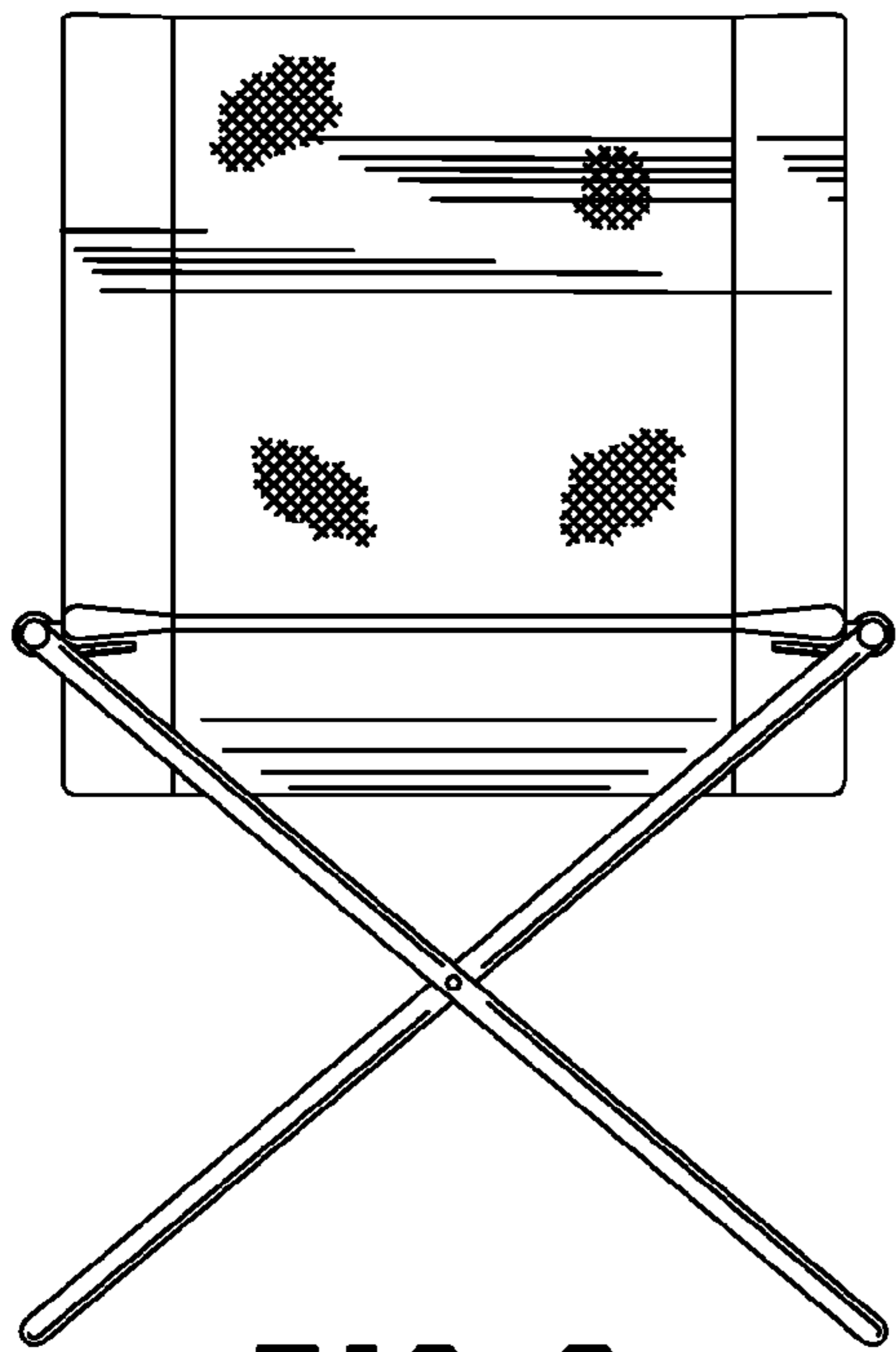


FIG. 3

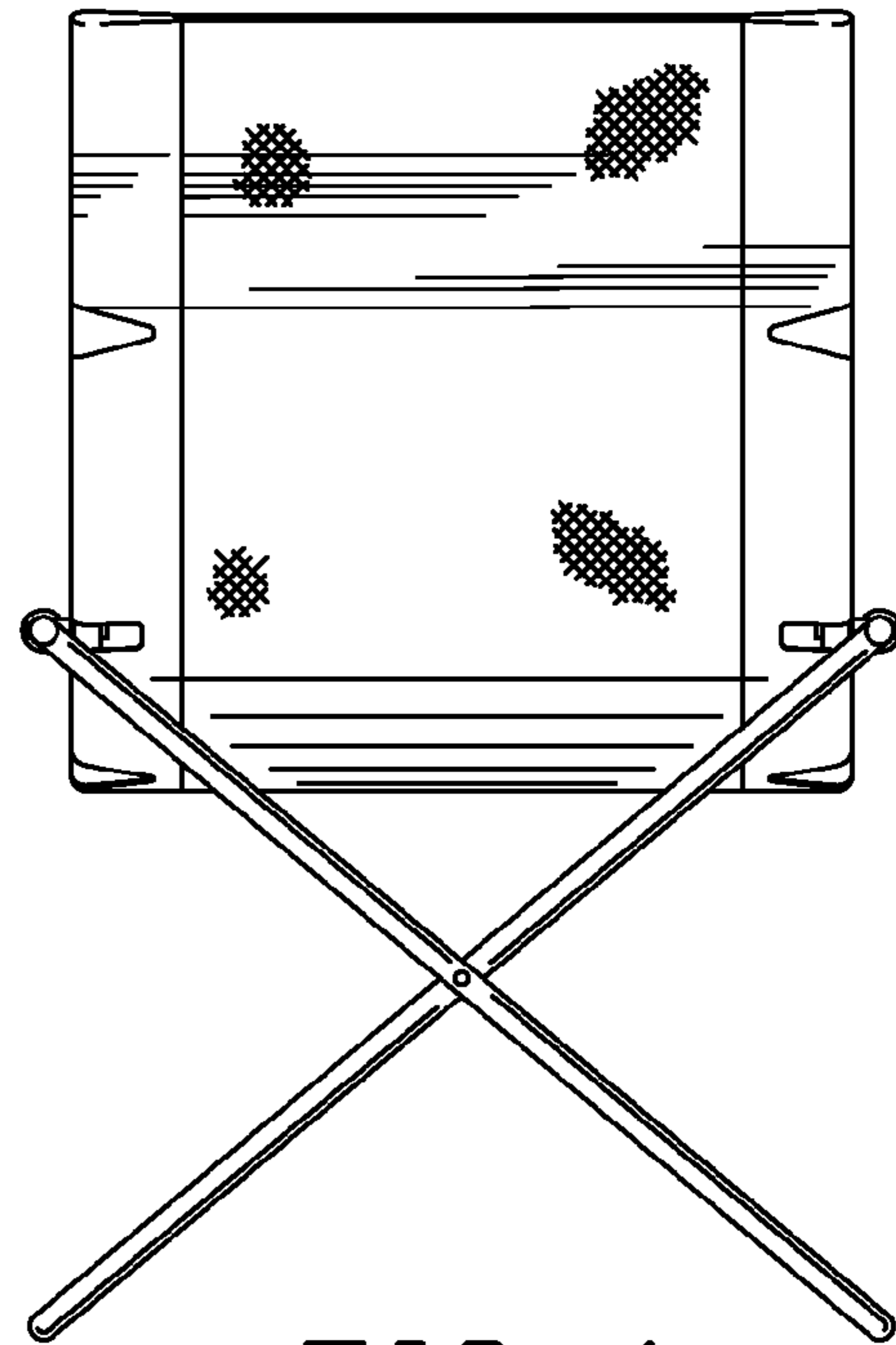


FIG. 4

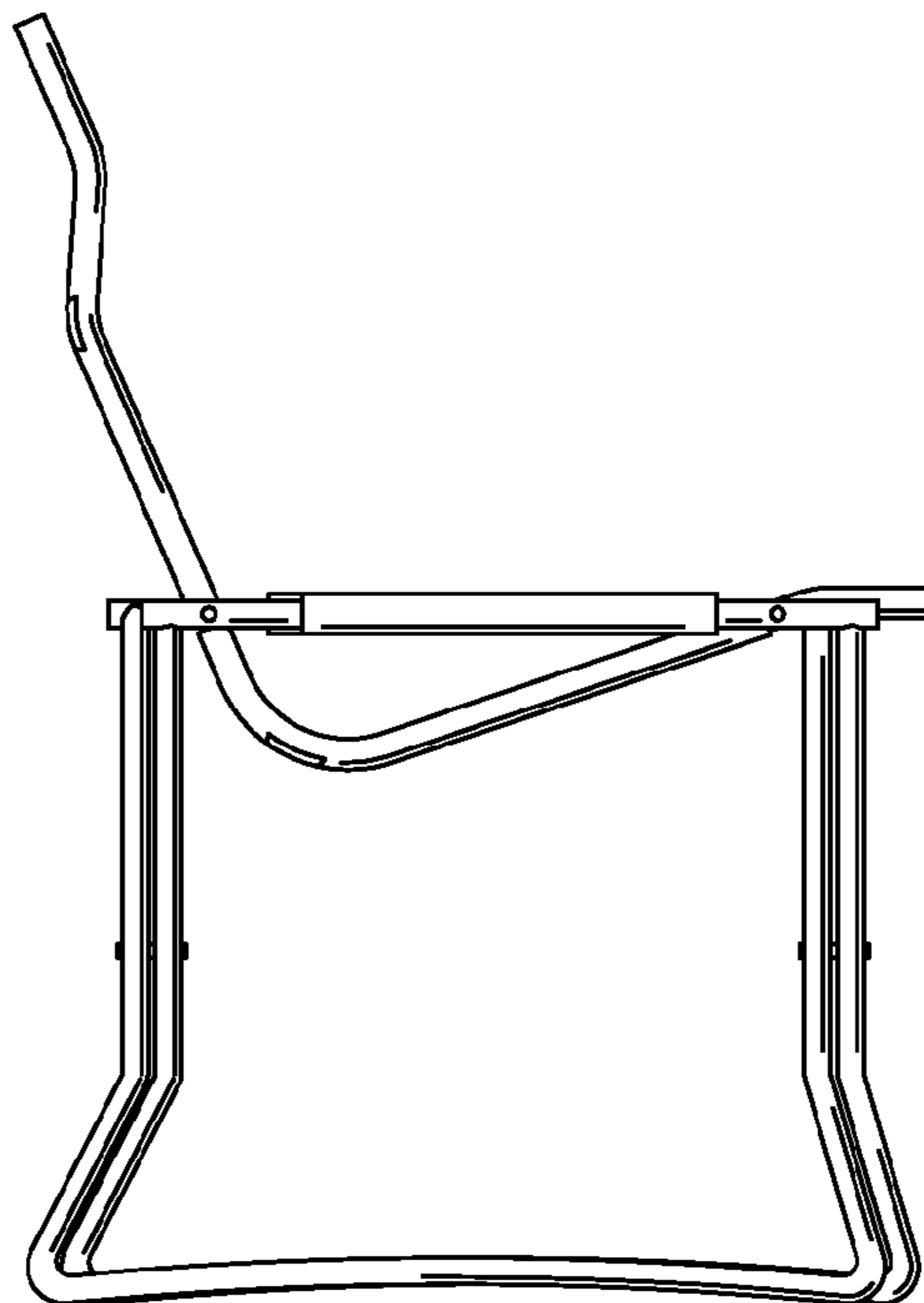


FIG. 5

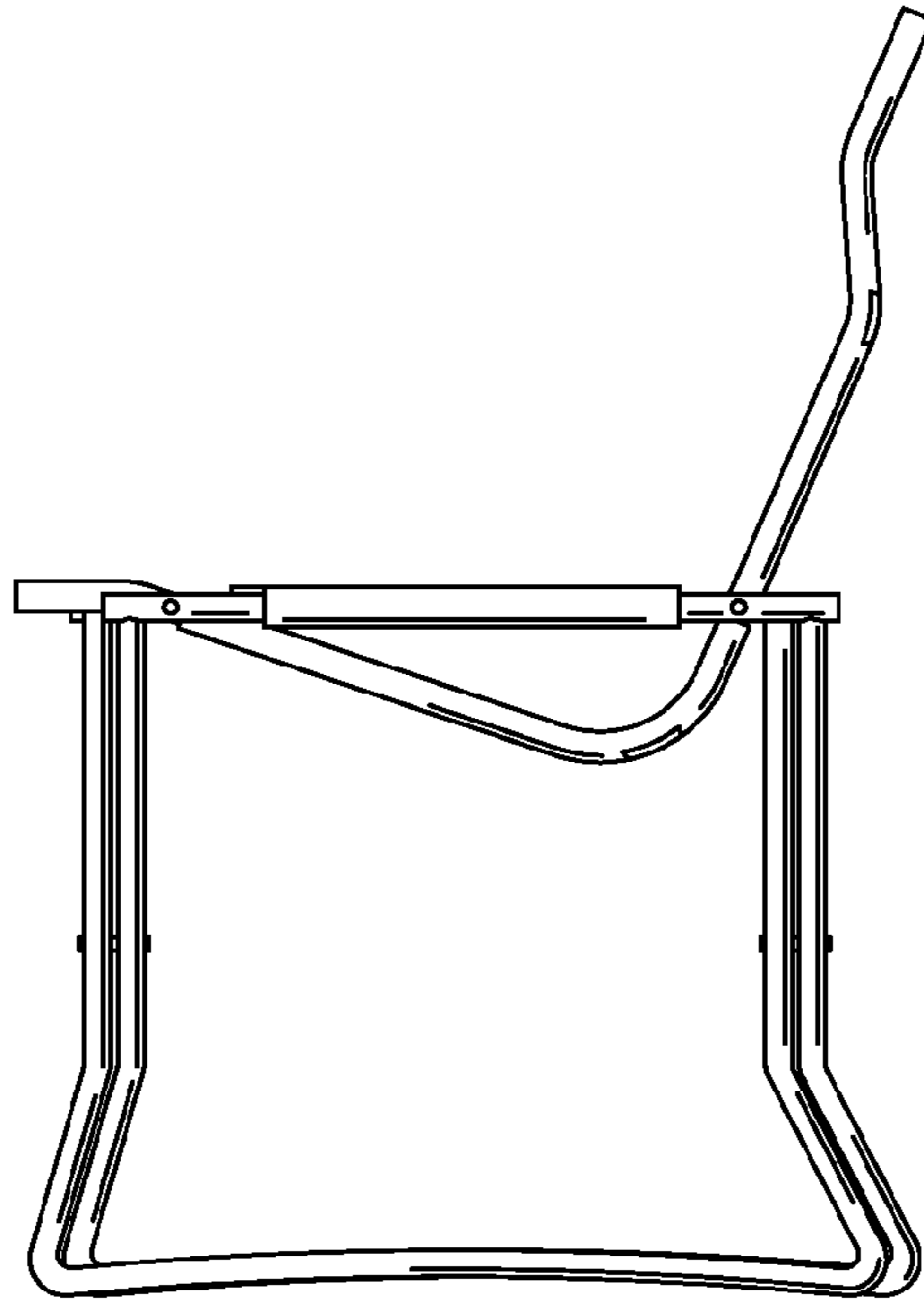


FIG. 6

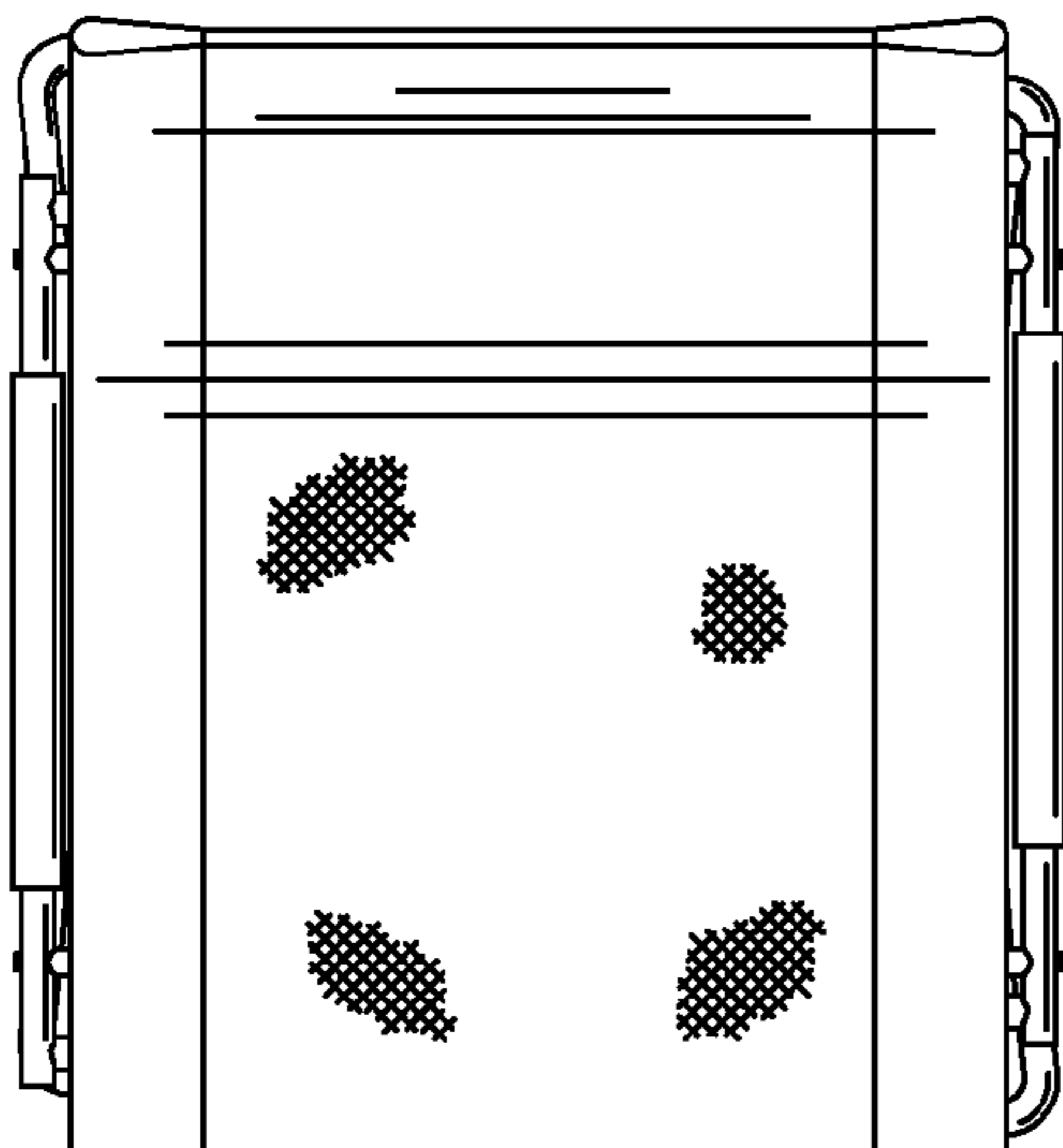


FIG. 7

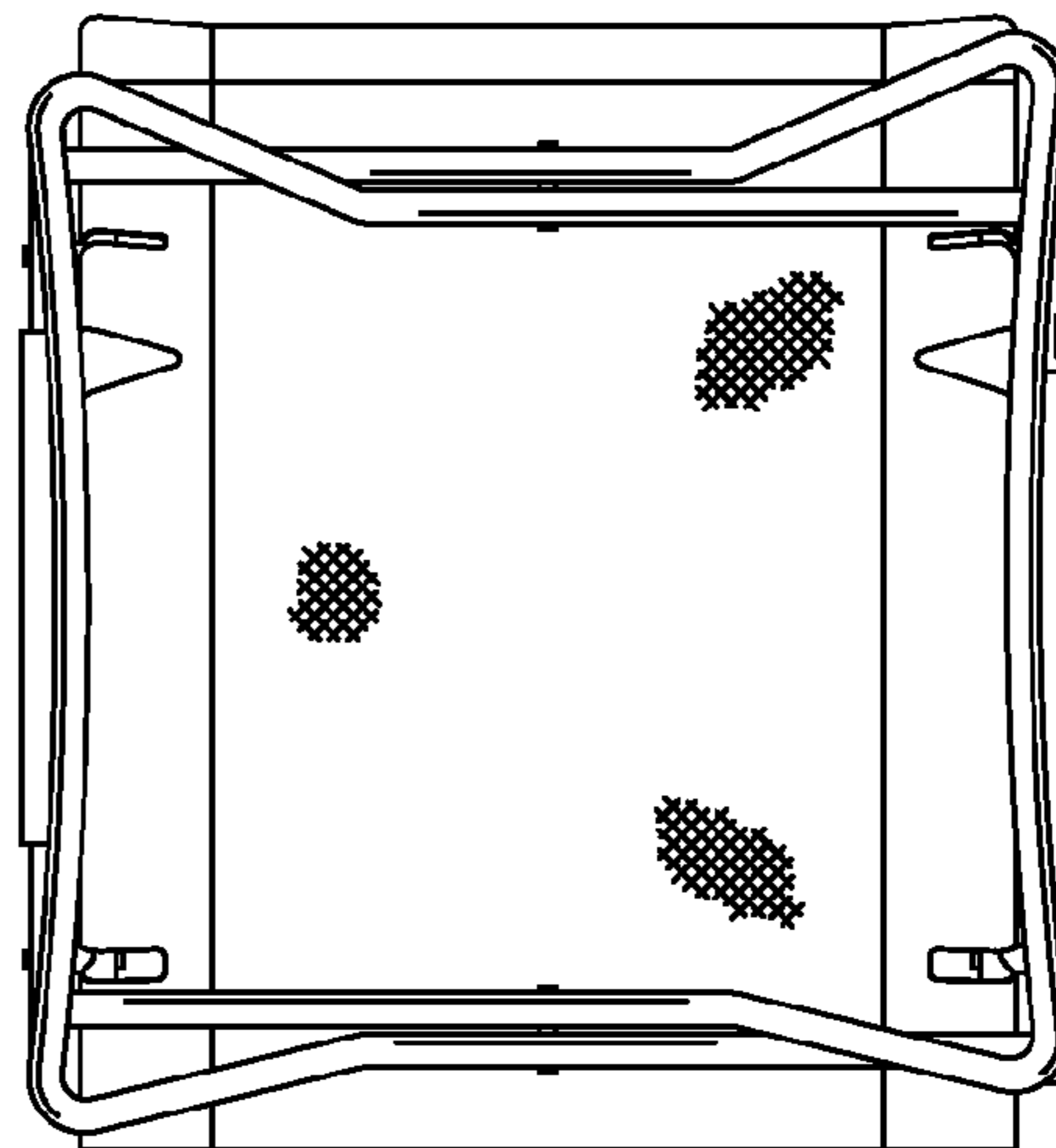


FIG. 8