



US00D609483S

(12) **United States Design Patent**
Chen et al.

(10) **Patent No.:** **US D609,483 S**

(45) **Date of Patent:** **** Feb. 9, 2010**

(54) **ADJUSTABLE TATTOO CLIENT CHAIR**

(76) Inventors: **Michael Chen**, 3350 Wilshire Blvd.,
Suite 1210, Los Angeles, CA (US)
90010; **Billy Chen**, 3350 Wilshire Blvd.,
Suite 1210, Los Angeles, CA (US)
90010; **Wen Wei**, 3350 Wilshire Blvd.,
Suite 1210, Los Angeles, CA (US) 90010

D420,225 S * 2/2000 Lamb et al. D6/367
D462,189 S * 9/2002 Brockway et al. D6/367
D525,443 S * 7/2006 Takahashi D6/367
D537,644 S * 3/2007 Kawamura D6/367
D553,379 S * 10/2007 Genelli D6/367
D565,315 S * 4/2008 Nielsen D6/367
D578,787 S * 10/2008 Genelli D6/367

* cited by examiner

(**) Term: **14 Years**

Primary Examiner—Caron Veynar
Assistant Examiner—Abraham Bahta

(21) Appl. No.: **29/321,187**

(57) **CLAIM**

(22) Filed: **Jul. 11, 2008**

The ornamental design for an adjustable tattoo client chair, as shown.

(51) **LOC (9) Cl.** **06-01**

(52) **U.S. Cl.** **D6/367**

(58) **Field of Classification Search** D6/334–336,
D6/360–361, 365, 367, 371, 373, 379, 500–502;
D24/178, 183; 297/316, 313, 330, 391, 396,
297/344.15, 344.17, 423.1, 423.19, 68, 271.1,
297/353, 354.1; 601/49, 86, 99, 98
See application file for complete search history.

DESCRIPTION

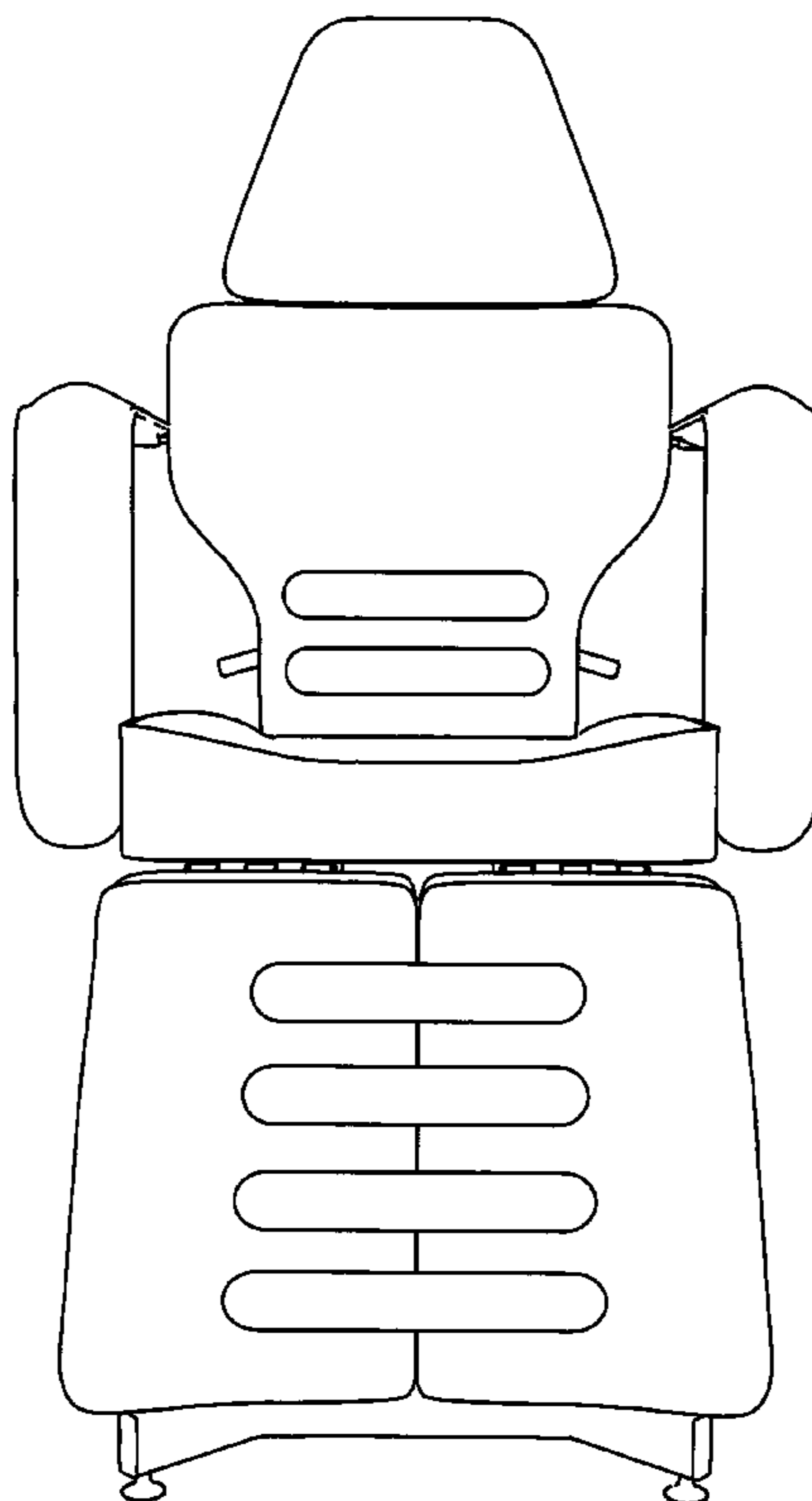
FIG. 1 is a front view of an adjustable tattoo client chair in a sitting position showing my new design;
FIG. 2 is a rear view thereof;
FIG. 3 is a left side view thereof;
FIG. 4 is a right side view thereof;
FIG. 5 is a top plan view thereof;
FIG. 6 is a bottom plan view thereof;
FIG. 7 is a perspective view thereof;
FIG. 8 is a side view in laying position thereof; and,
FIG. 9 is a perspective view in laying position thereof.

(56) **References Cited**

U.S. PATENT DOCUMENTS

D267,987 S * 2/1983 Leffler et al. D6/361
D268,149 S * 3/1983 Case D6/361
4,415,203 A * 11/1983 Cawley 297/391
D347,946 S * 6/1994 Nordstrom et al. D6/367
D351,742 S * 10/1994 Phleps et al. D6/367
D354,177 S * 1/1995 Schwaegerle et al. D6/360

1 Claim, 9 Drawing Sheets



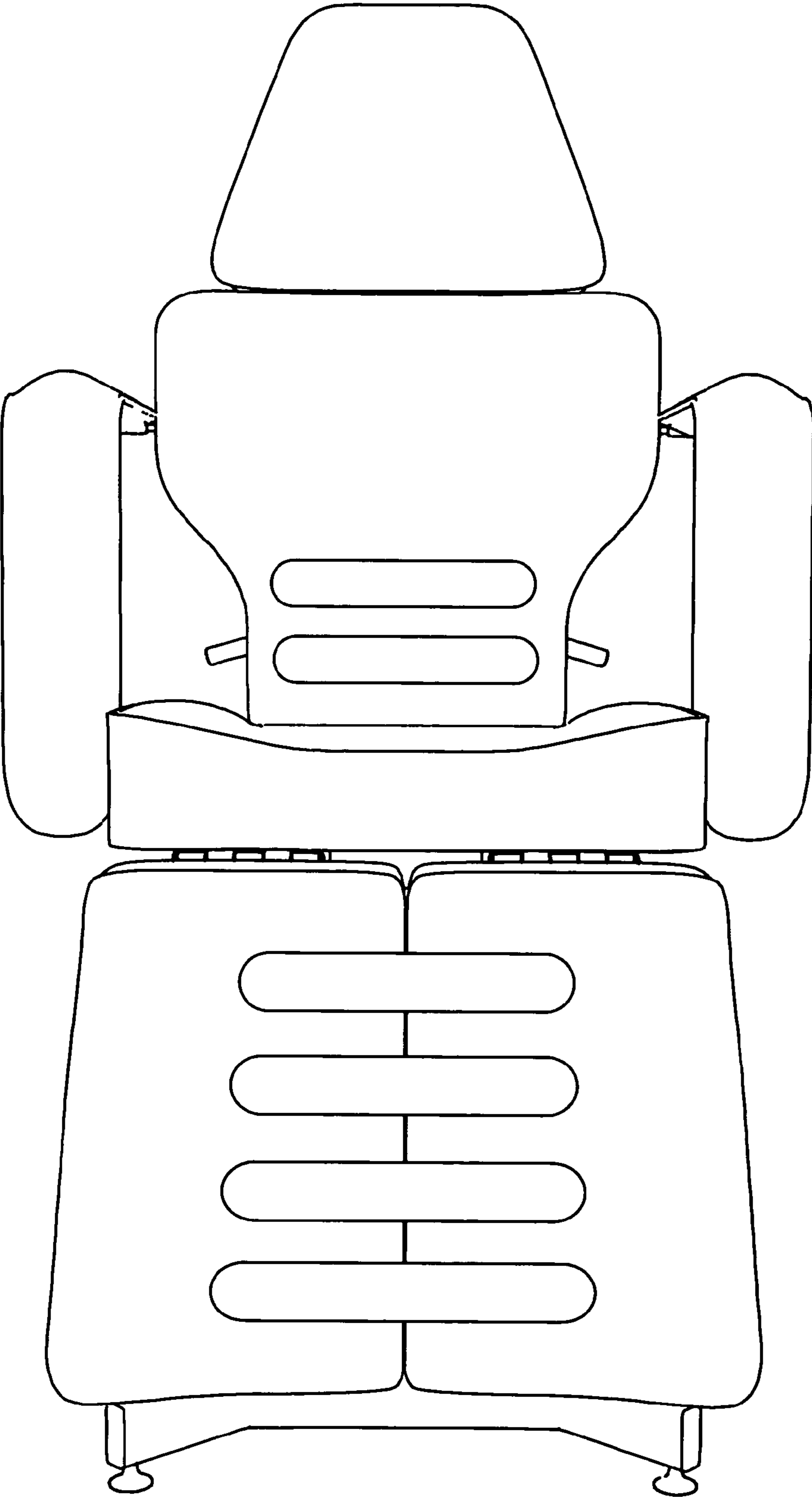


Fig. 1

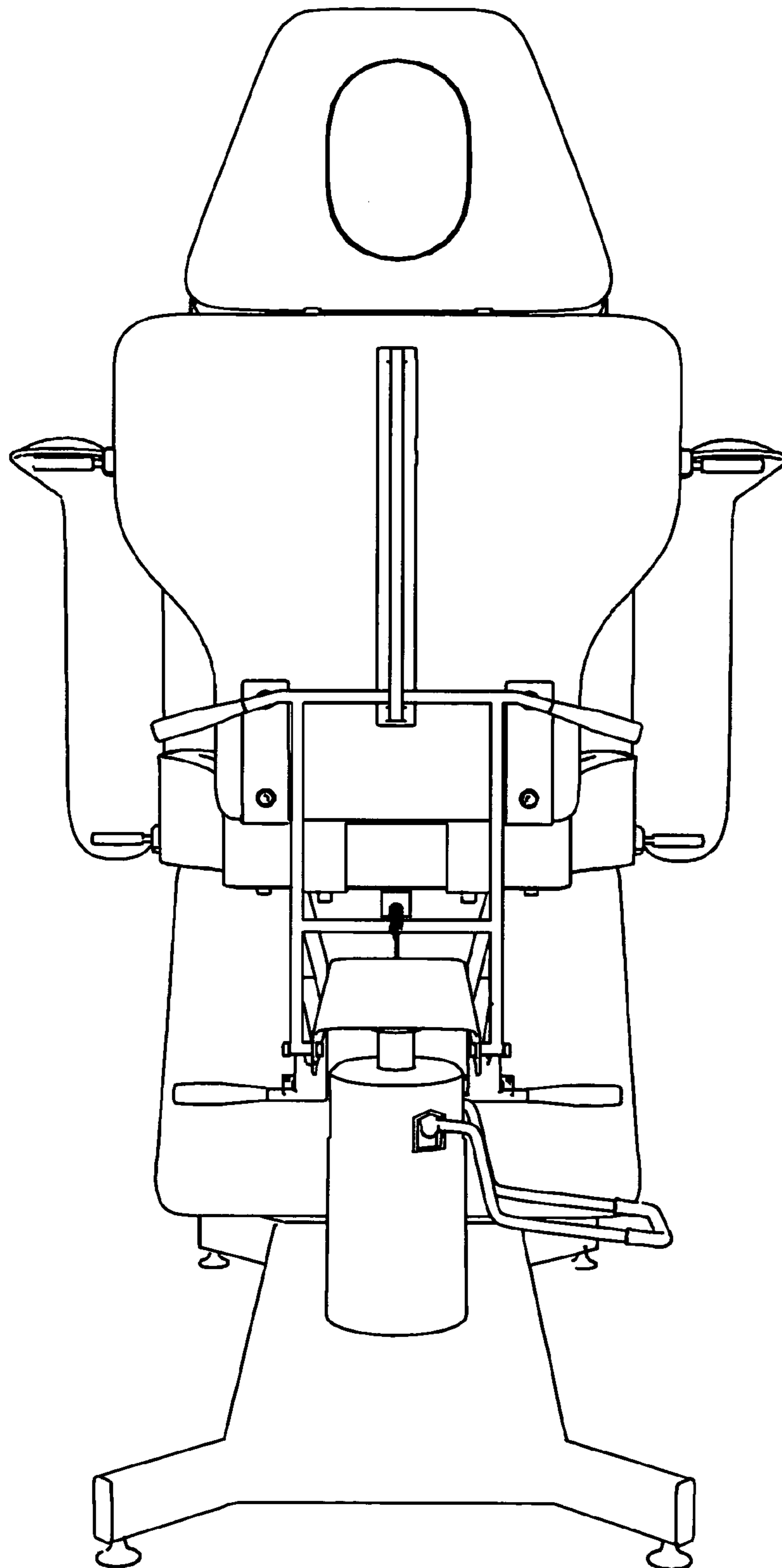


Fig. 2

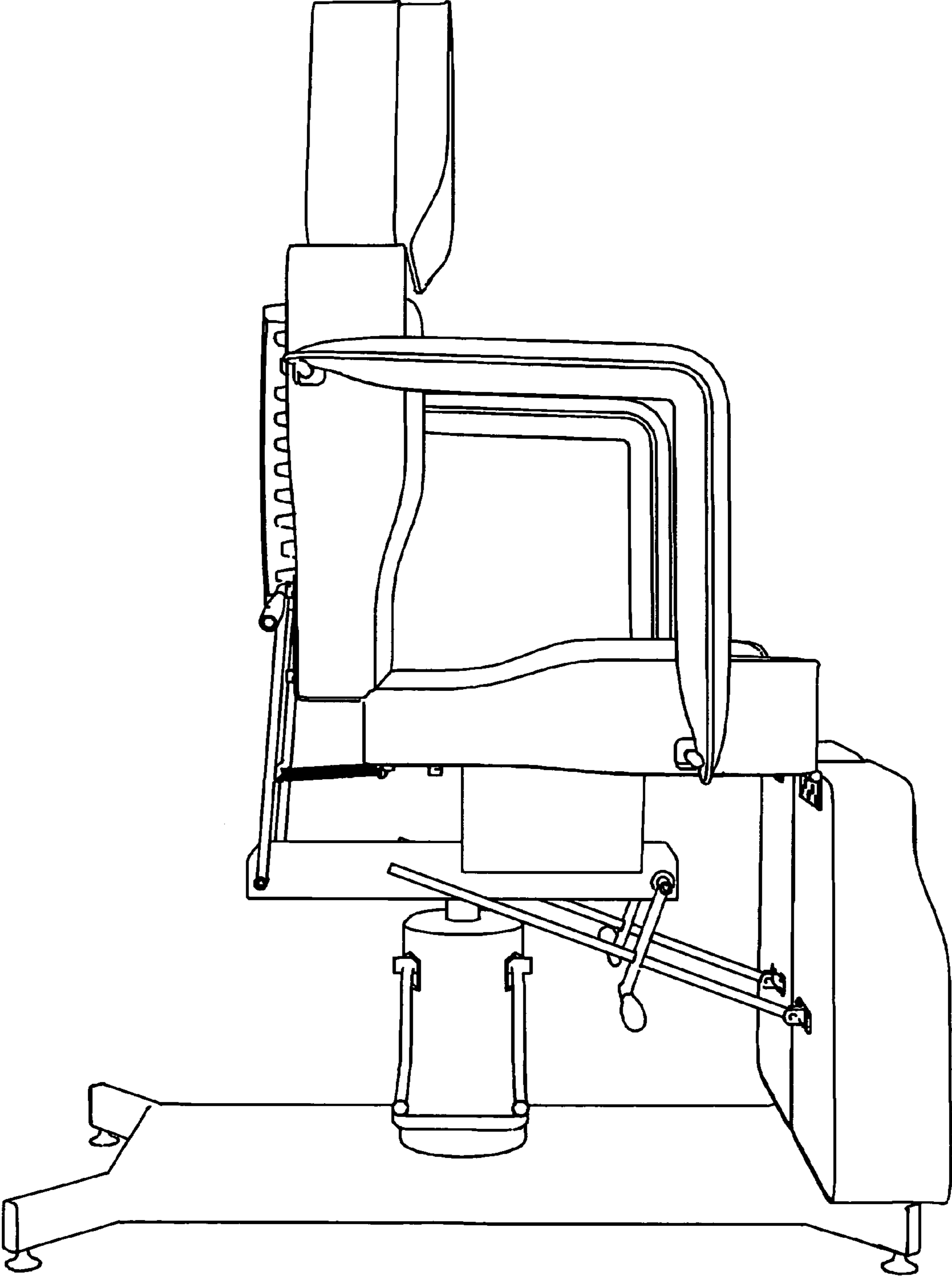


Fig. 3

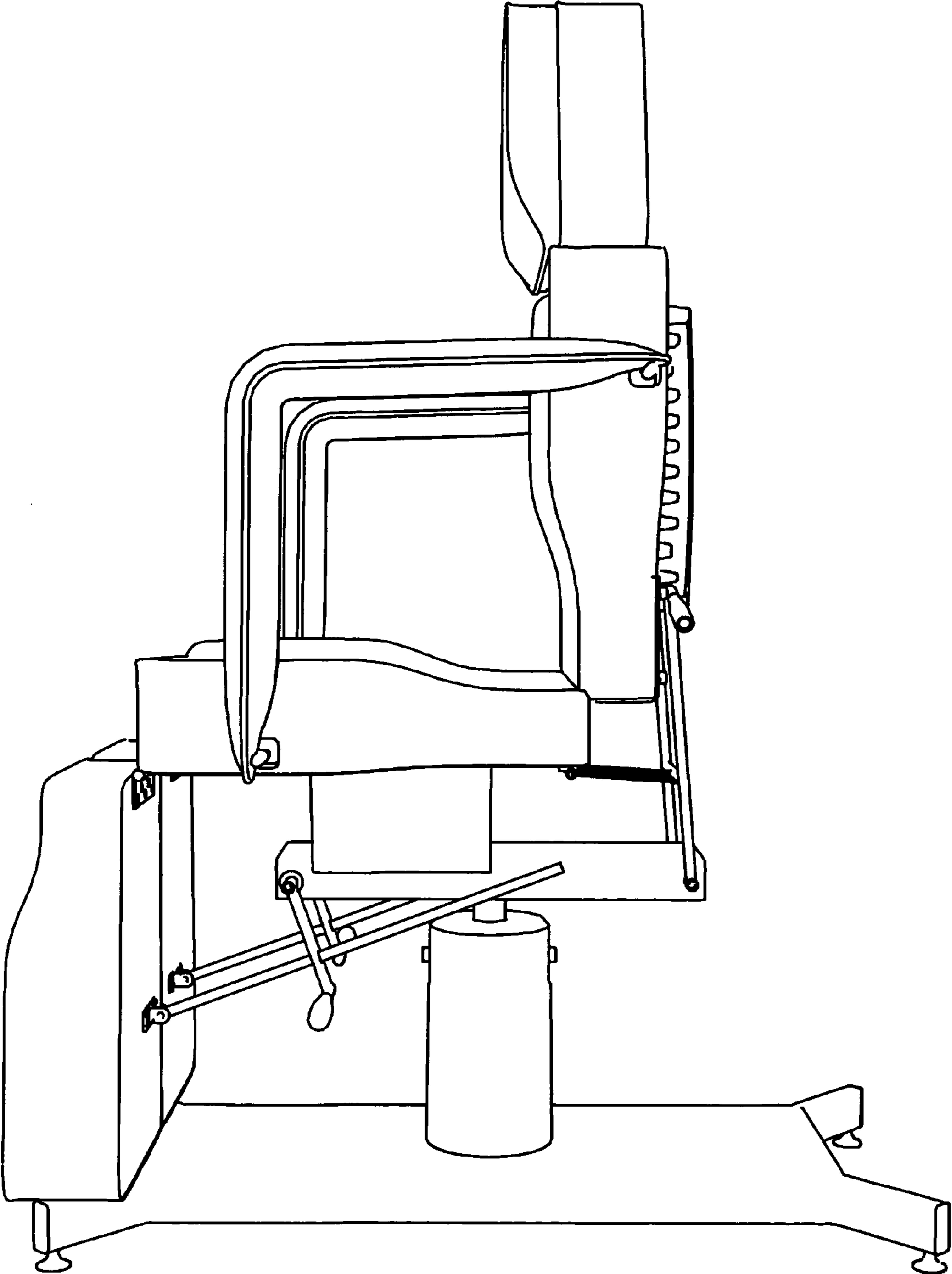


Fig. 4

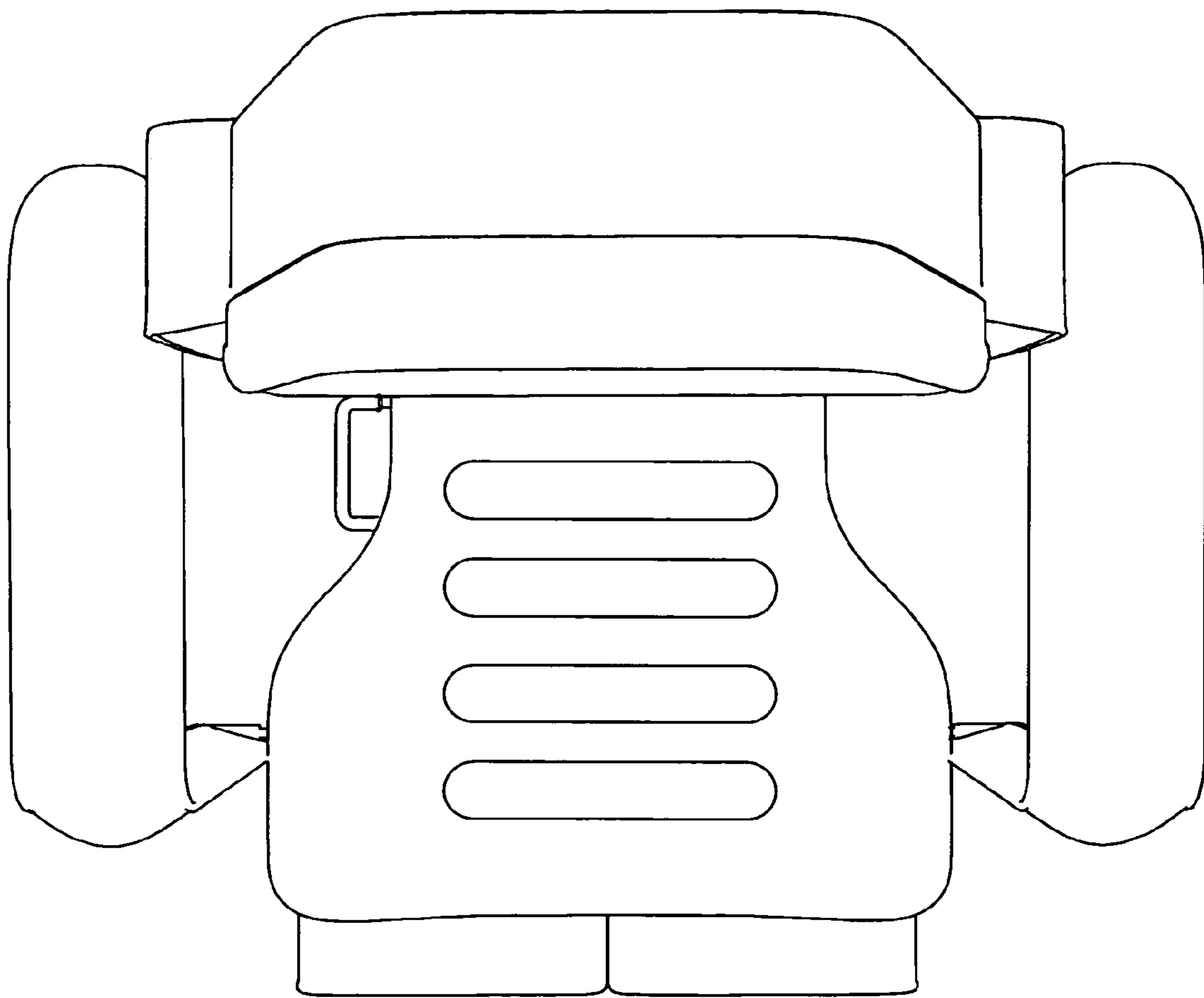


Fig. 5

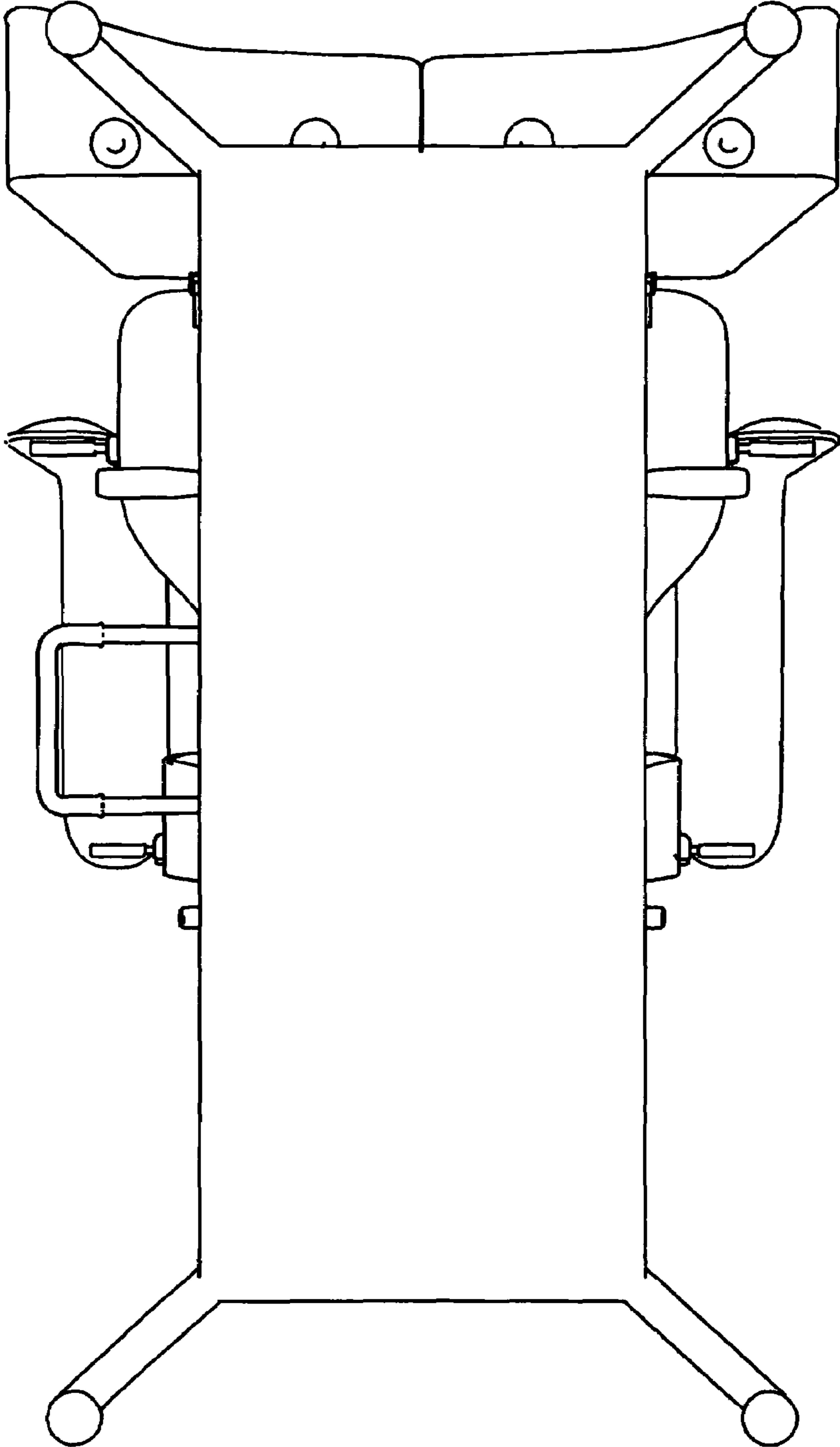


Fig. 6

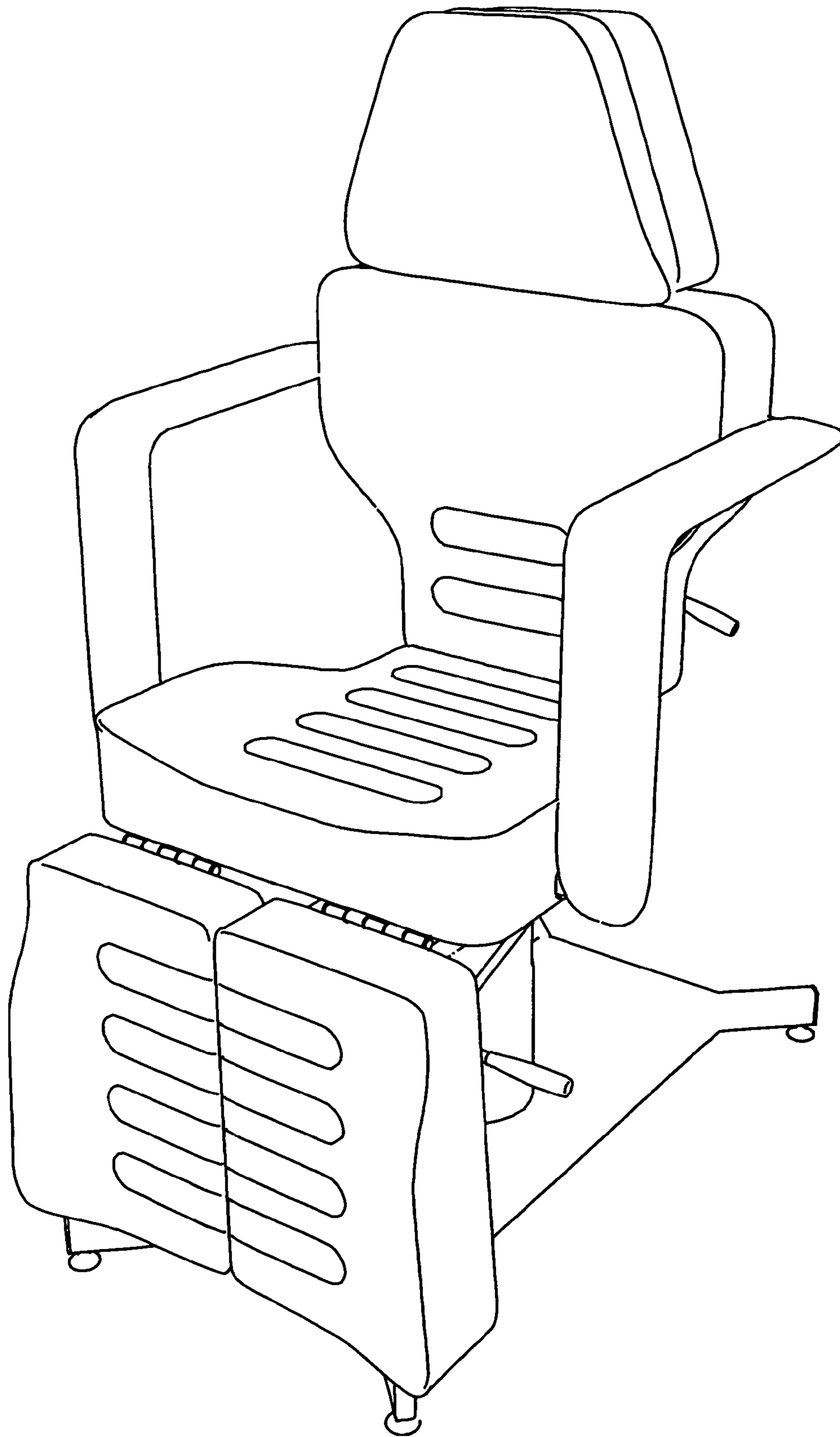


Fig. 7

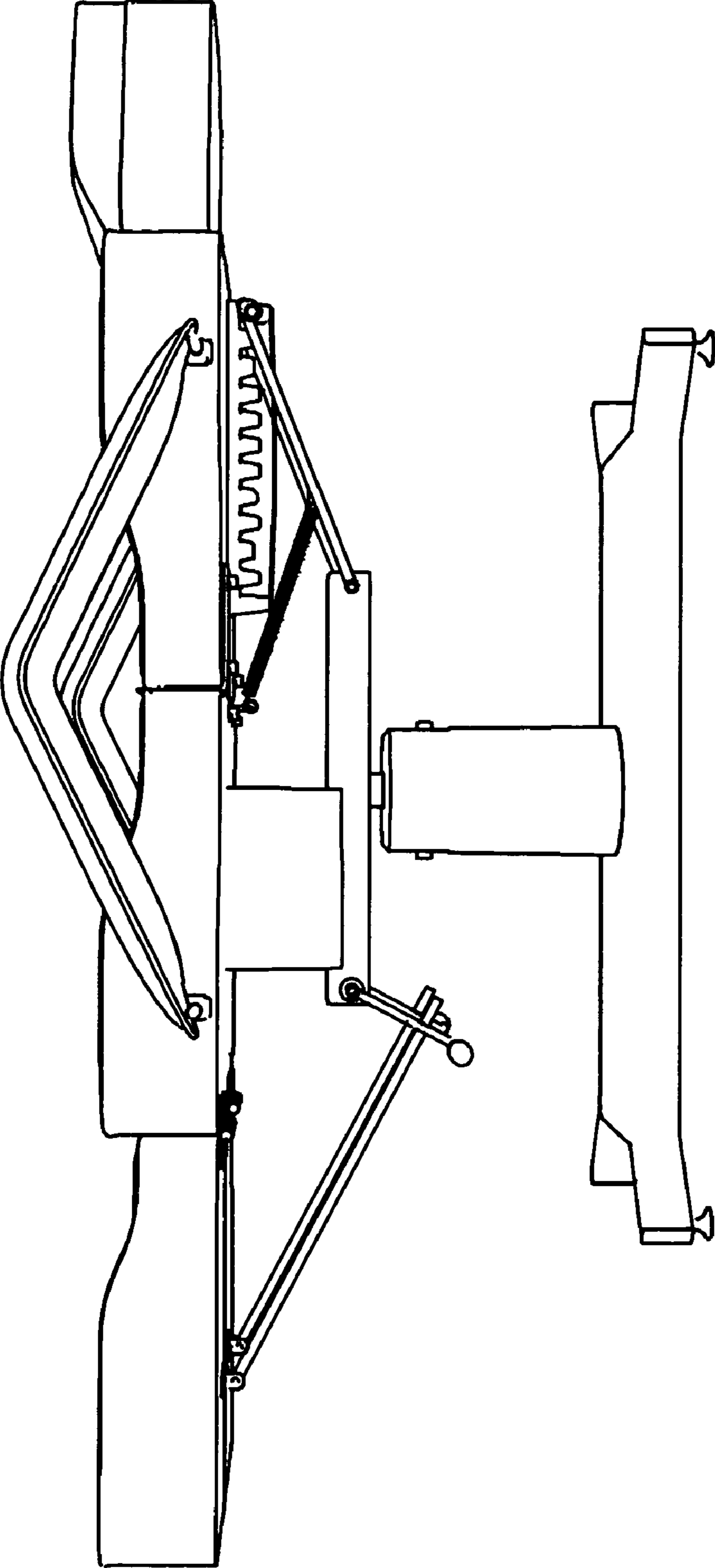


Fig. 8

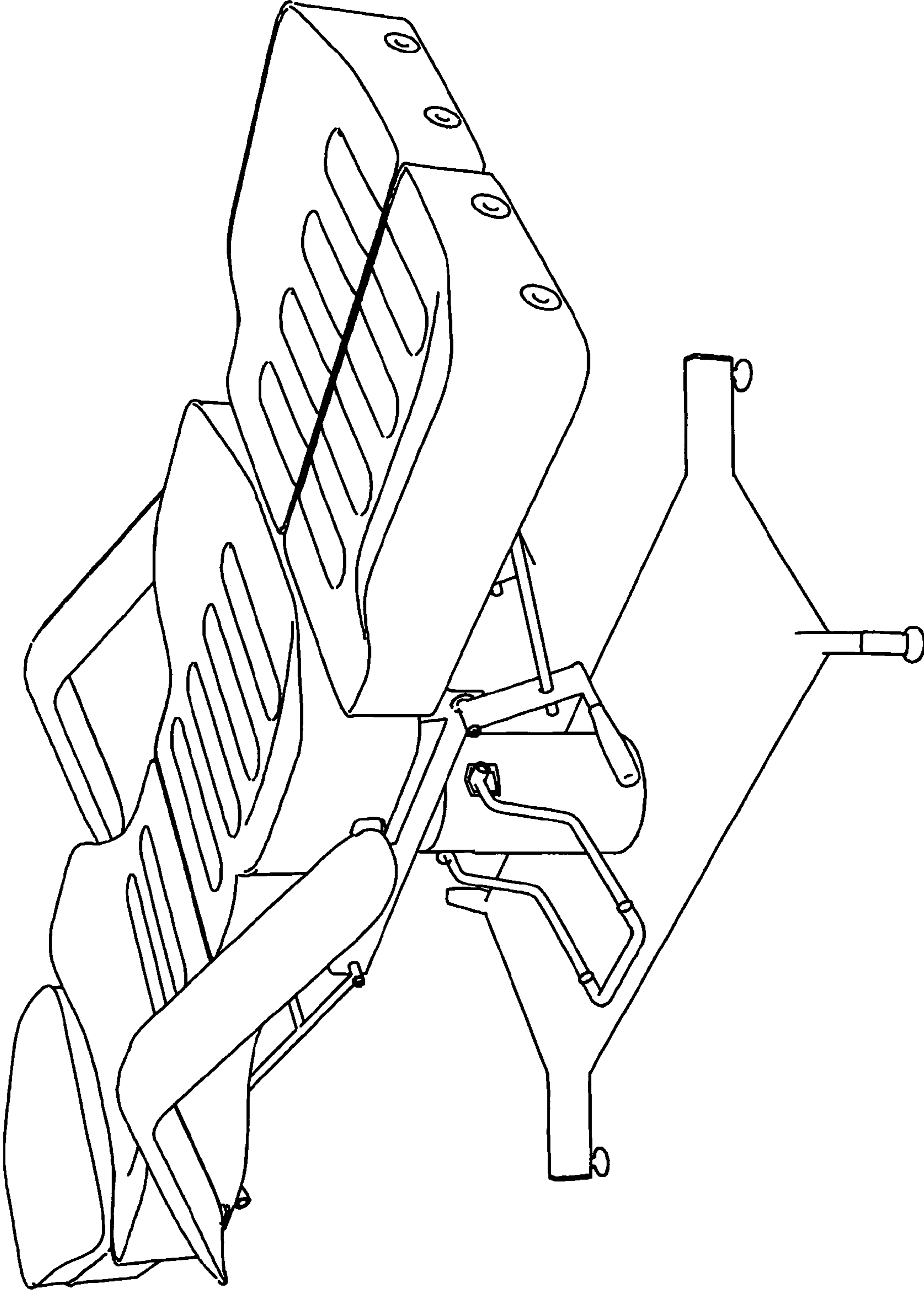


Fig. 9