



US00D609482S

(12) **United States Design Patent**
Englich et al.

(10) **Patent No.:** **US D609,482 S**
(45) **Date of Patent:** **** Feb. 9, 2010**

(54) **SEATING FURNITURE**

(75) Inventors: **Michael Englich**, Blender (DE);
Anne-Katrin Sieferer, Barsinghausen (DE)

(73) Assignee: **Wilkahn Wilkening + Hahne GmbH & Co.** (DE)

(**) Term: **14 Years**

(21) Appl. No.: **29/315,792**

(22) Filed: **Jul. 23, 2009**

(30) **Foreign Application Priority Data**

Apr. 1, 2009 (EM) 001500307-0001

(51) **LOC (9) Cl.** **06-01**

(52) **U.S. Cl.** **D6/366**

(58) **Field of Classification Search** D6/334-336,
D6/364, 365, 366, 367, 369, 374, 379, 380,
D6/498, 500-502; 297/284.4, 411.28, 411.44,
297/452.21, 452.29, 452.3, 452.35, 452.37,
297/452.48

See application file for complete search history.

(56) **References Cited**

U.S. PATENT DOCUMENTS

D422,802 S * 4/2000 Deacon D6/366
D439,451 S * 3/2001 Simons et al. D6/502
D442,400 S * 5/2001 Simons et al. D6/500

D442,790 S * 5/2001 Simons et al. D6/366
D506,628 S * 6/2005 Koepke et al. D6/502
D507,133 S * 7/2005 Koepke et al. D6/502
D521,755 S * 5/2006 Kinoshita et al. D6/366
D564,766 S * 3/2008 Zimmermann et al. D6/366
D589,271 S * 3/2009 Neil D6/366
D597,349 S * 8/2009 Wilkinson et al. D6/502

* cited by examiner

Primary Examiner—Mimosa De

(74) *Attorney, Agent, or Firm*—Renner, Kenner, Greive, Bobak, Taylor & Weber

(57) **CLAIM**

I claim the ornamental design of a seating furniture, as shown and described.

DESCRIPTION

FIG. 1 is a front elevational view of a chair embodying the concepts of the present design invention;

FIG. 2 is a back elevational view of the chair of FIG. 1;

FIG. 3 is a left side elevational view of the chair of FIG. 1;

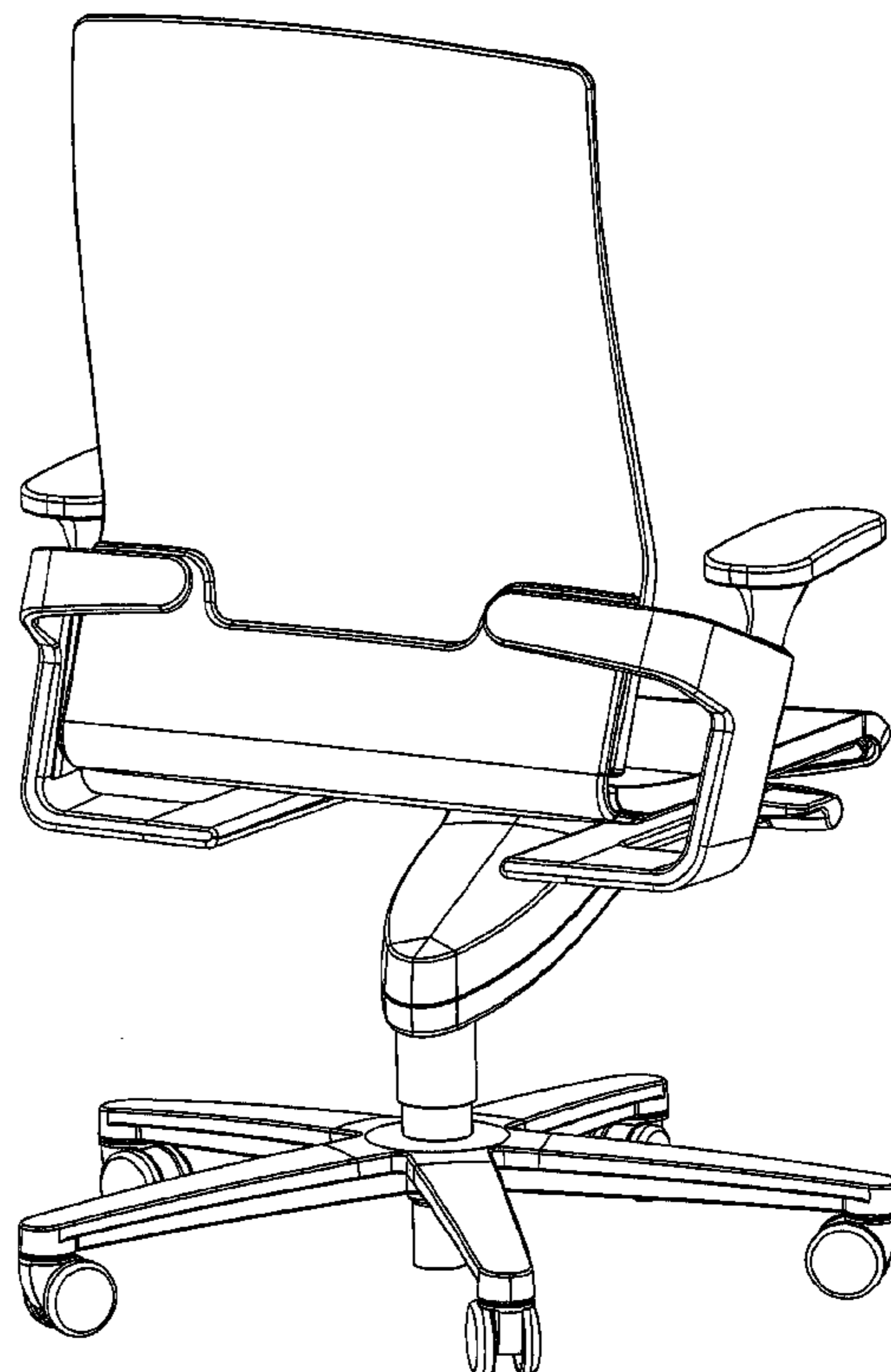
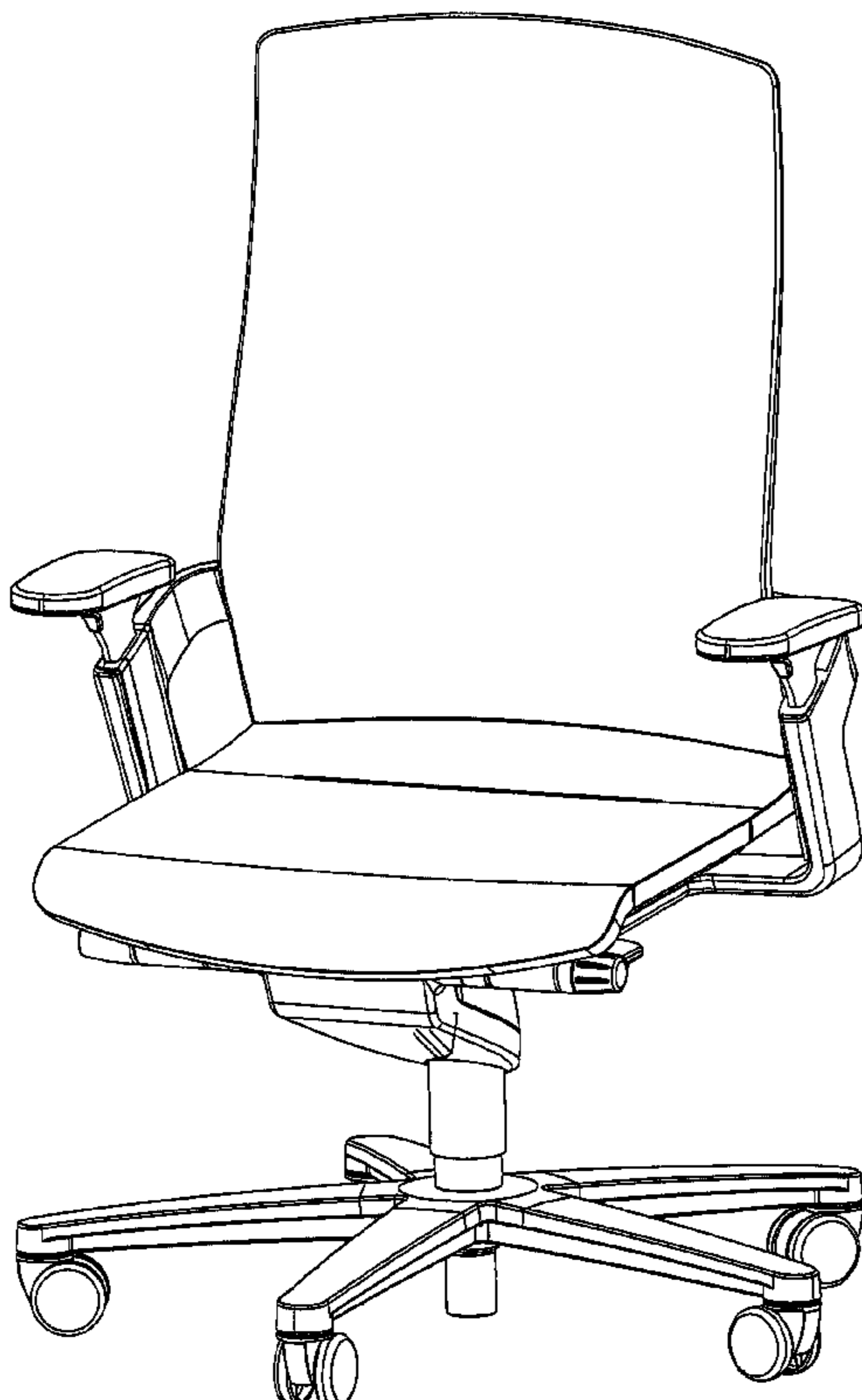
FIG. 4 is a right side elevational view of the chair of FIG. 1;

FIG. 5 is a top plan view of the chair of FIG. 1;

FIG. 6 is a front, top, left side perspective view of the chair of FIG. 1; and,

FIG. 7 is a back, top, right side perspective view of the chair of FIG. 1.

1 Claim, 7 Drawing Sheets



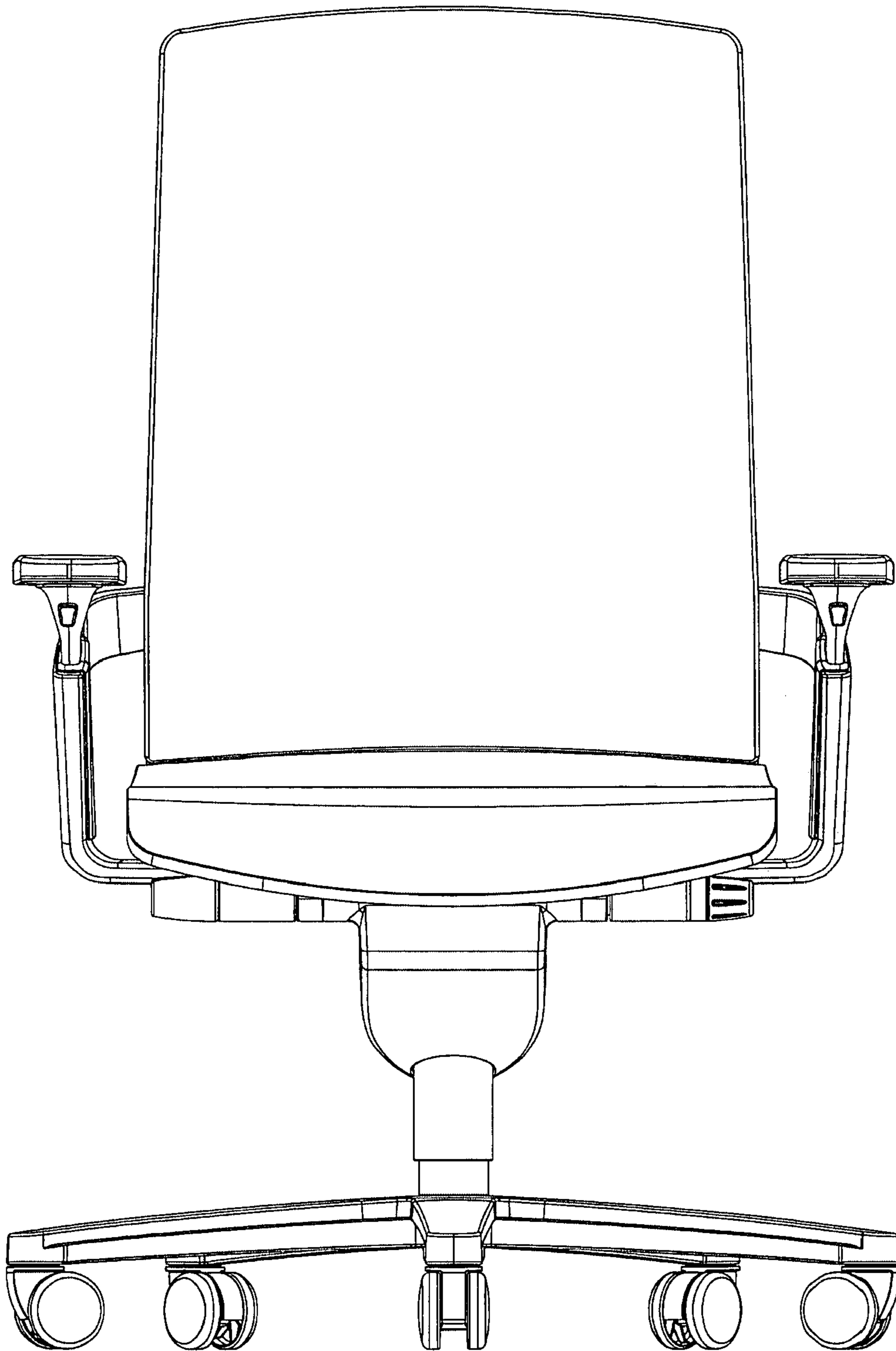


FIG. 1

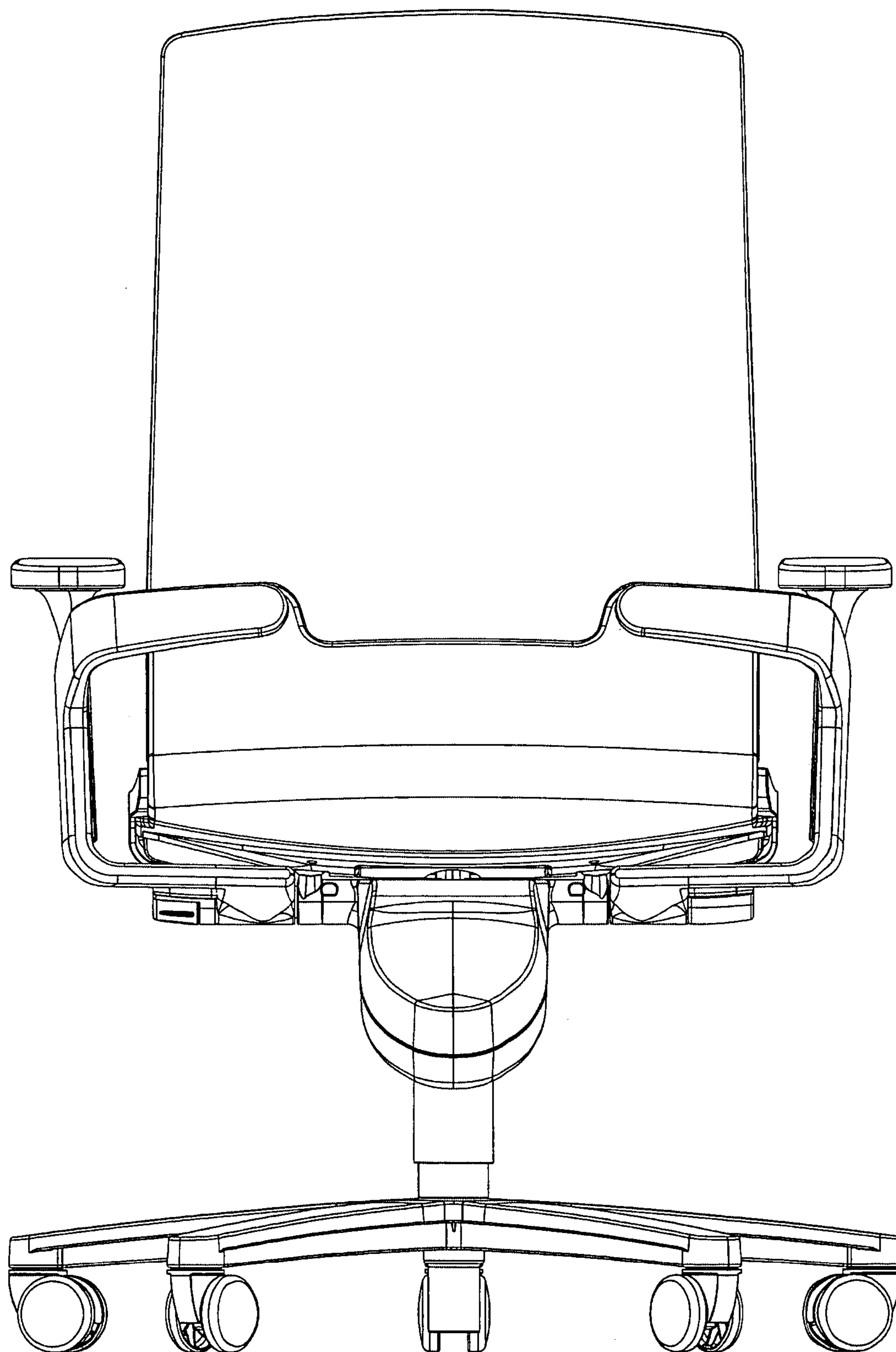


FIG. 2

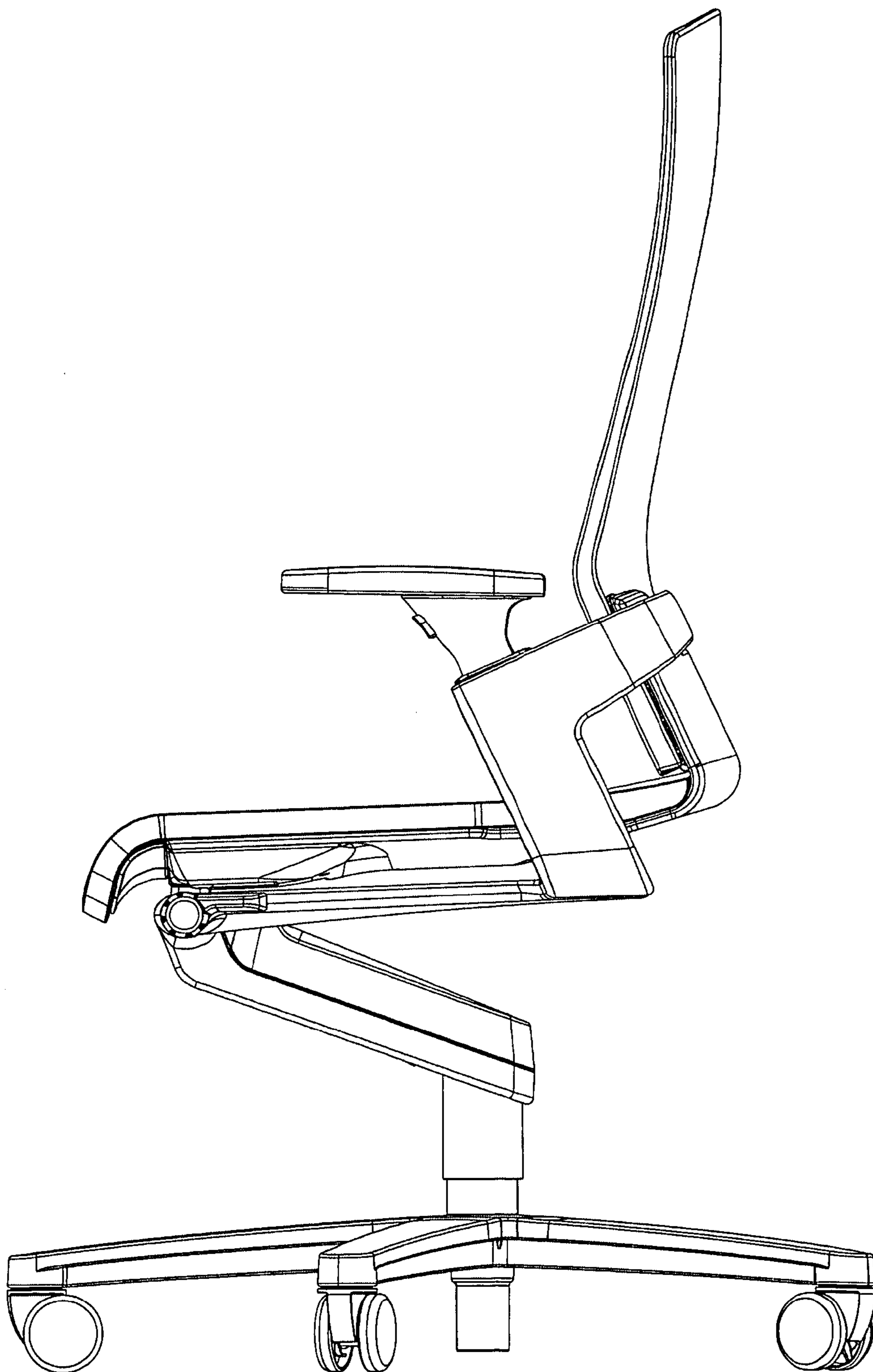


FIG. 3

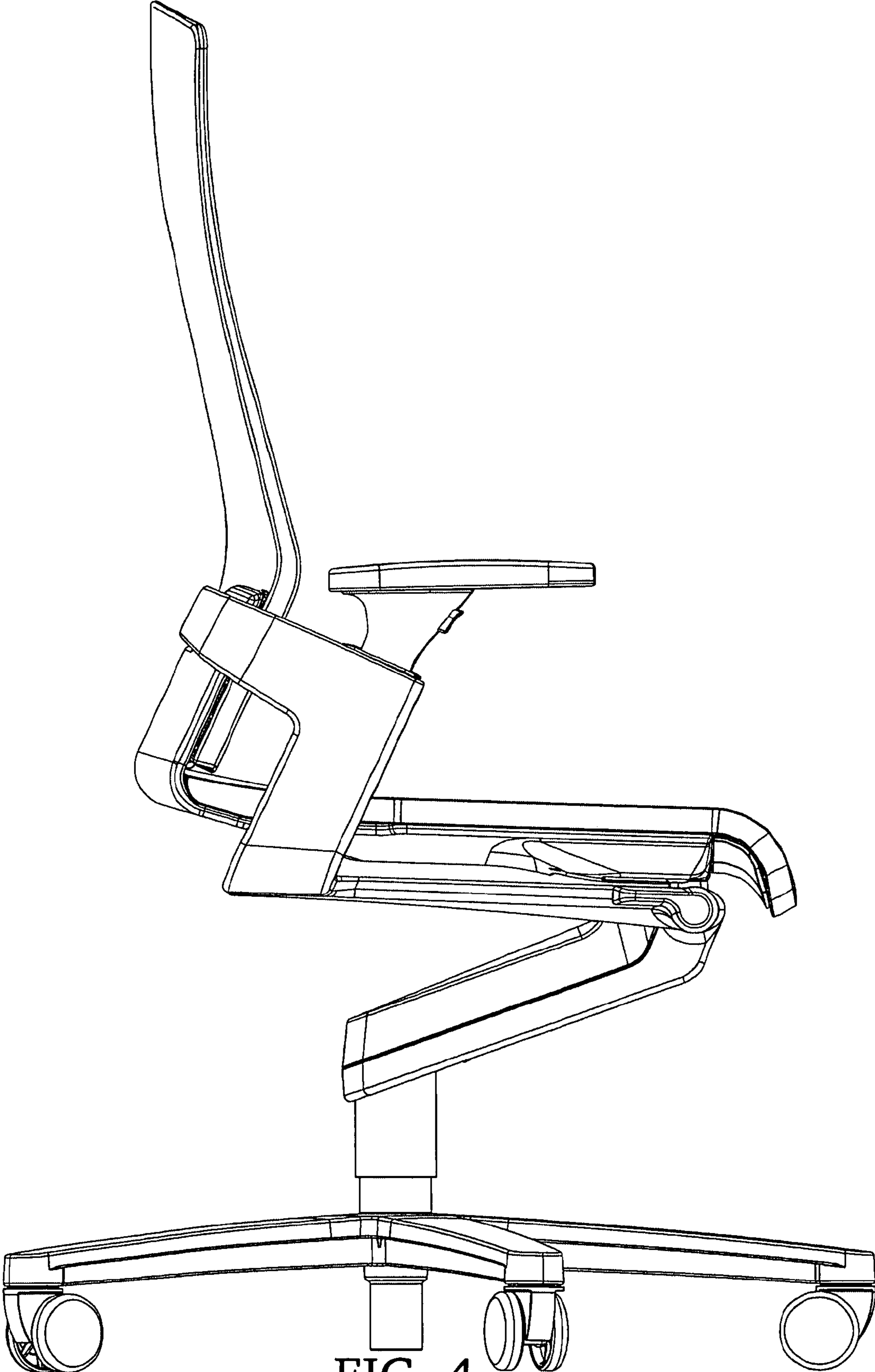


FIG. 4

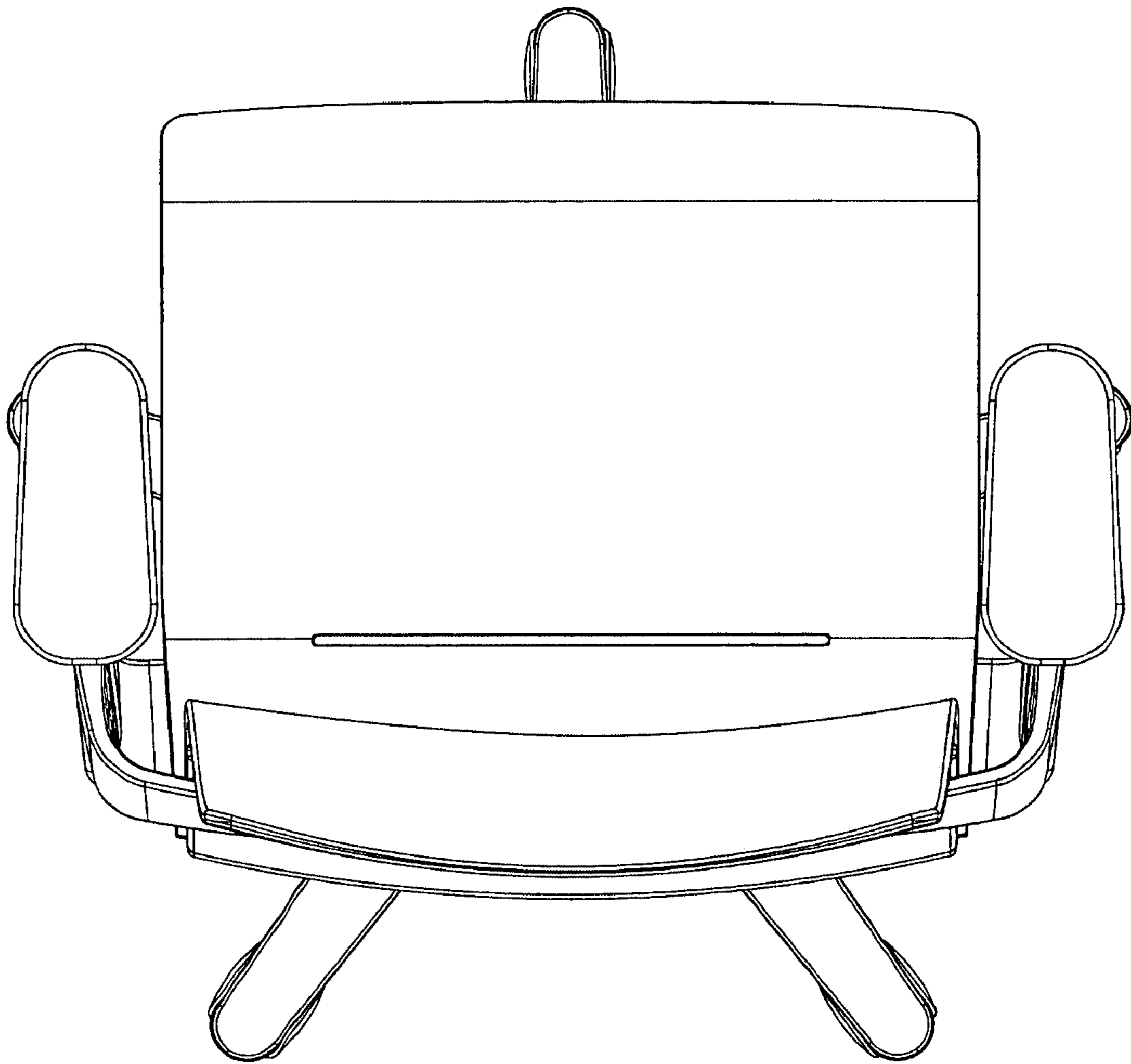


FIG. 5

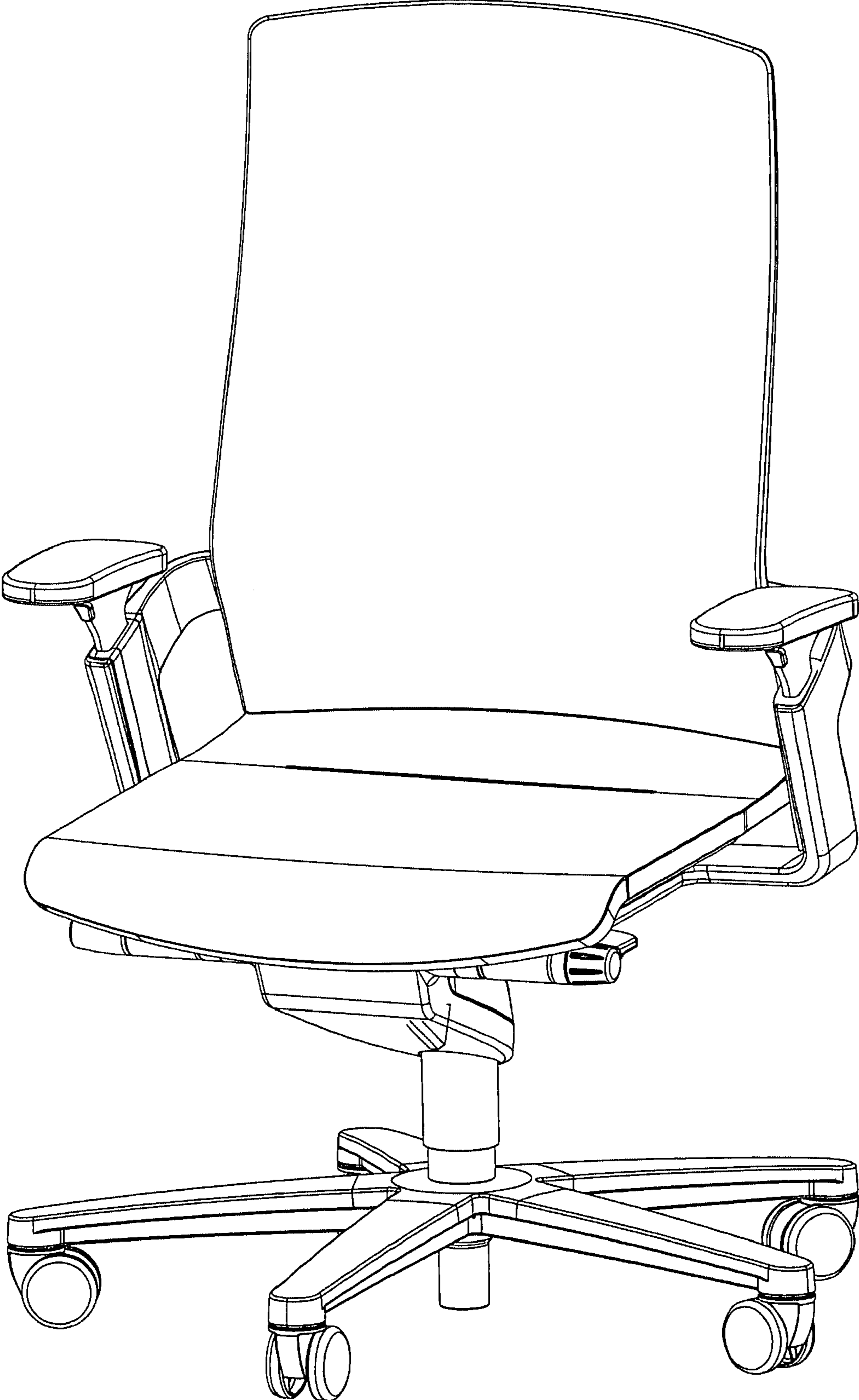


FIG. 6

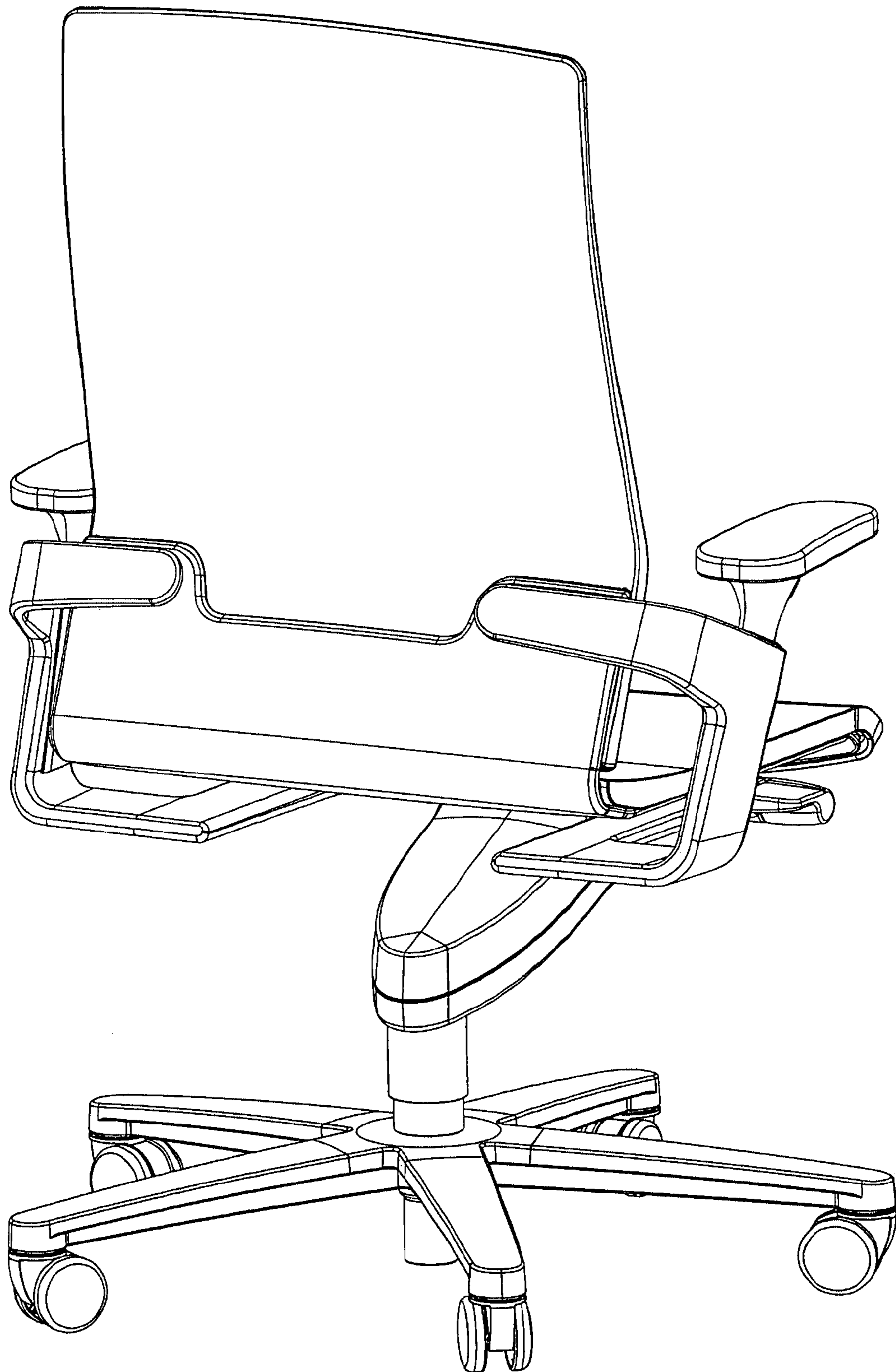


FIG. 7