



US00D609479S

(12) **United States Design Patent**
Martin et al.

(10) **Patent No.:** **US D609,479 S**

(45) **Date of Patent:** **** Feb. 9, 2010**

(54) **ARM CHAIR**

(75) Inventors: **Gregory D. Martin**, Mountain Home, AR (US); **Dan Fragoules**, Mountain Home, AR (US)

(73) Assignee: **Innovative Library Concepts, Inc.**, Mountain Home, AR (US)

(**) Term: **14 Years**

(21) Appl. No.: **29/315,443**

(22) Filed: **Jun. 29, 2009**

(51) **LOC (9) Cl.** **06-01**

(52) **U.S. Cl.** **D6/358**

(58) **Field of Classification Search** D6/334-336, D6/349, 350, 351, 358, 371-373, 374, 375, D6/381, 500-502; 297/181, 232, 440.14; 40/530; 116/234; 281/3.1, 15.1

See application file for complete search history.

(56) **References Cited**

U.S. PATENT DOCUMENTS

727,148	A	*	5/1903	Jones	40/530
1,858,605	A	*	5/1932	Von Alvensleben	116/234
D90,161	S	*	6/1933	Lustbader	D6/358
4,505,219	A	*	3/1985	Mangano	116/234
4,970,984	A	*	11/1990	Vazquez	116/234

D341,493	S	*	11/1993	Morgan et al.	D6/358
D363,832	S		11/1995	Germany		
5,509,720	A	*	4/1996	Croom	297/440.14
D440,416	S		4/2001	Olofson		
D440,417	S		4/2001	Olofson		
D441,206	S		5/2001	Olofson		
D469,617	S		2/2003	Olofson		
D484,324	S	*	12/2003	Olofson	D6/358
D541,090	S		4/2007	Olofson		

* cited by examiner

Primary Examiner—Mimosa De

(74) *Attorney, Agent, or Firm*—Stephen D. Carver

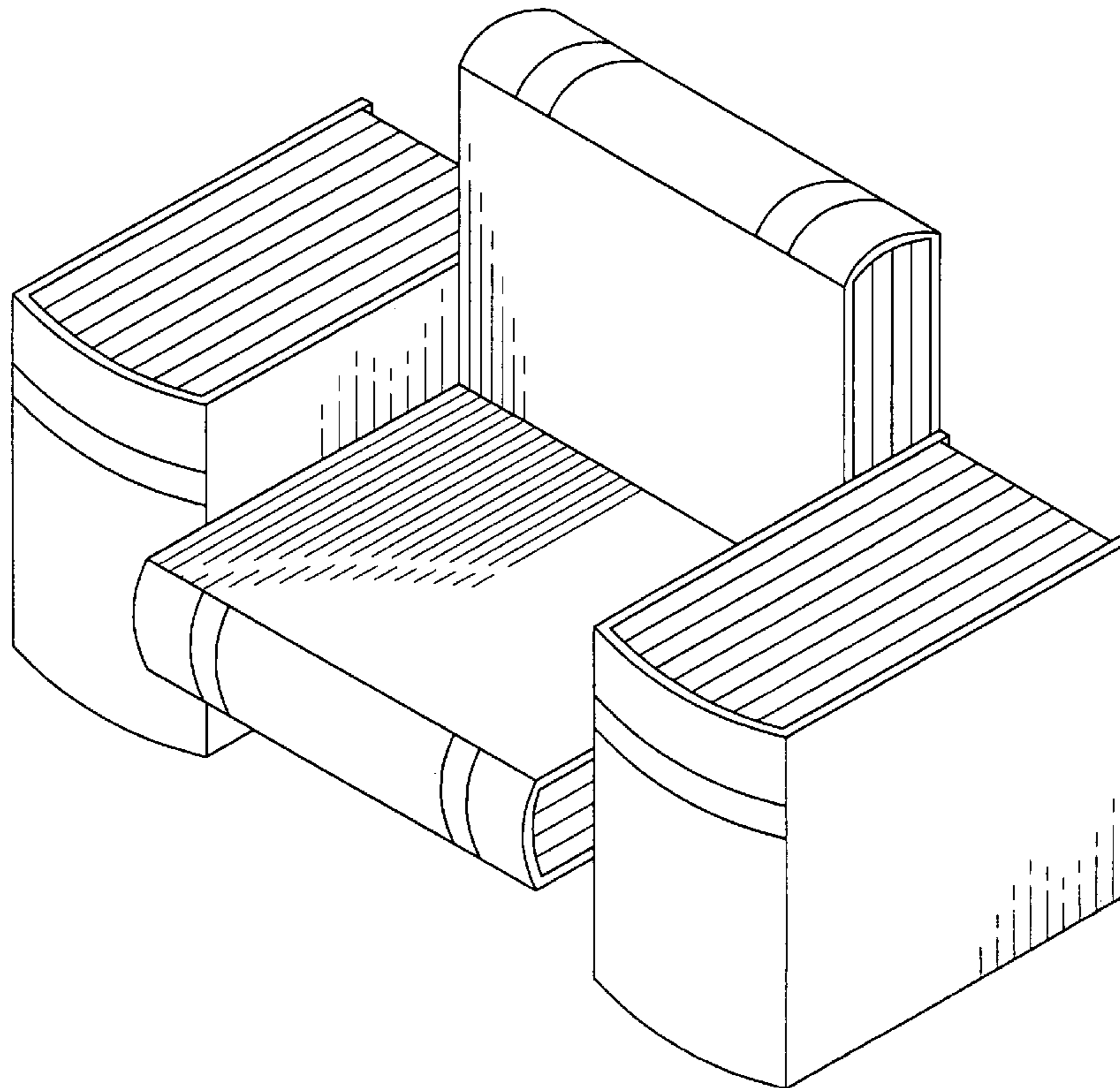
(57) **CLAIM**

The ornamental design for an arm chair, as shown and described.

DESCRIPTION

FIG. 1 is a frontal isometric view of our new arm chair;
FIG. 2 is a top plan view thereof;
FIG. 3 is a front plan view thereof;
FIG. 4 is a bottom plan view thereof;
FIG. 5 is a rear plan view thereof; and,
FIG. 6 is a side elevational view thereof, the opposite side comprising a mirror image.

1 Claim, 4 Drawing Sheets



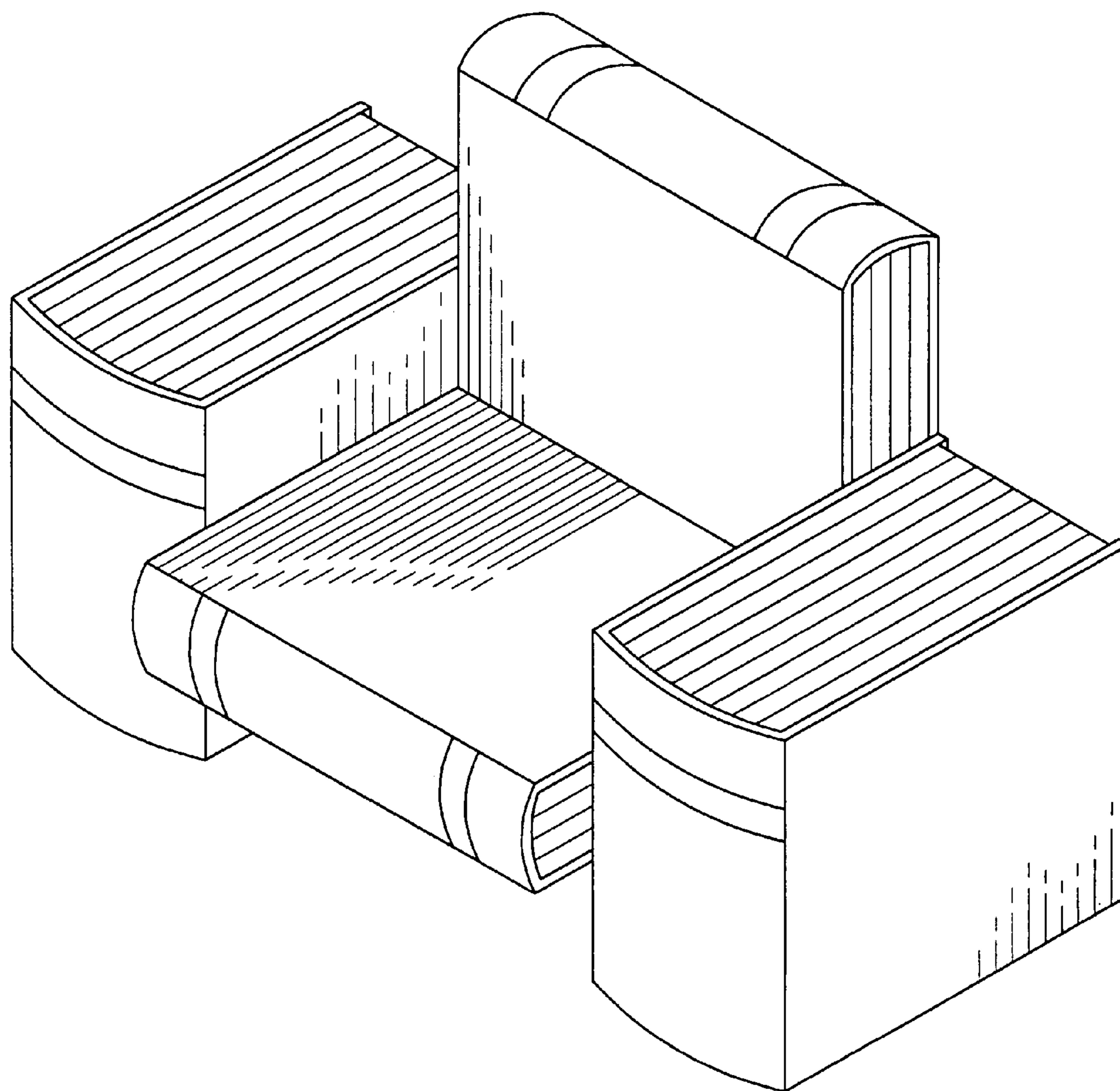


Fig. 1

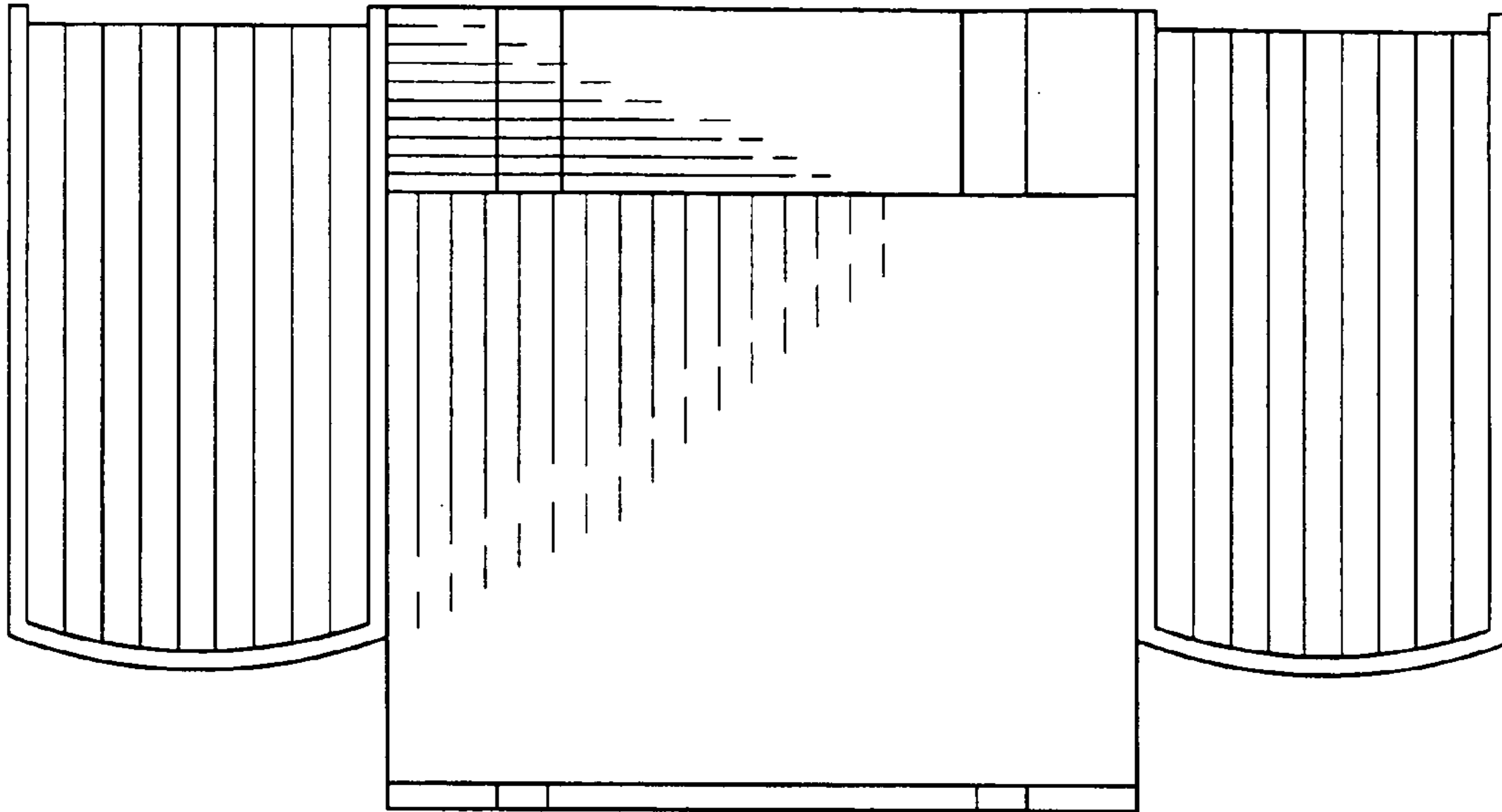


Fig. 2

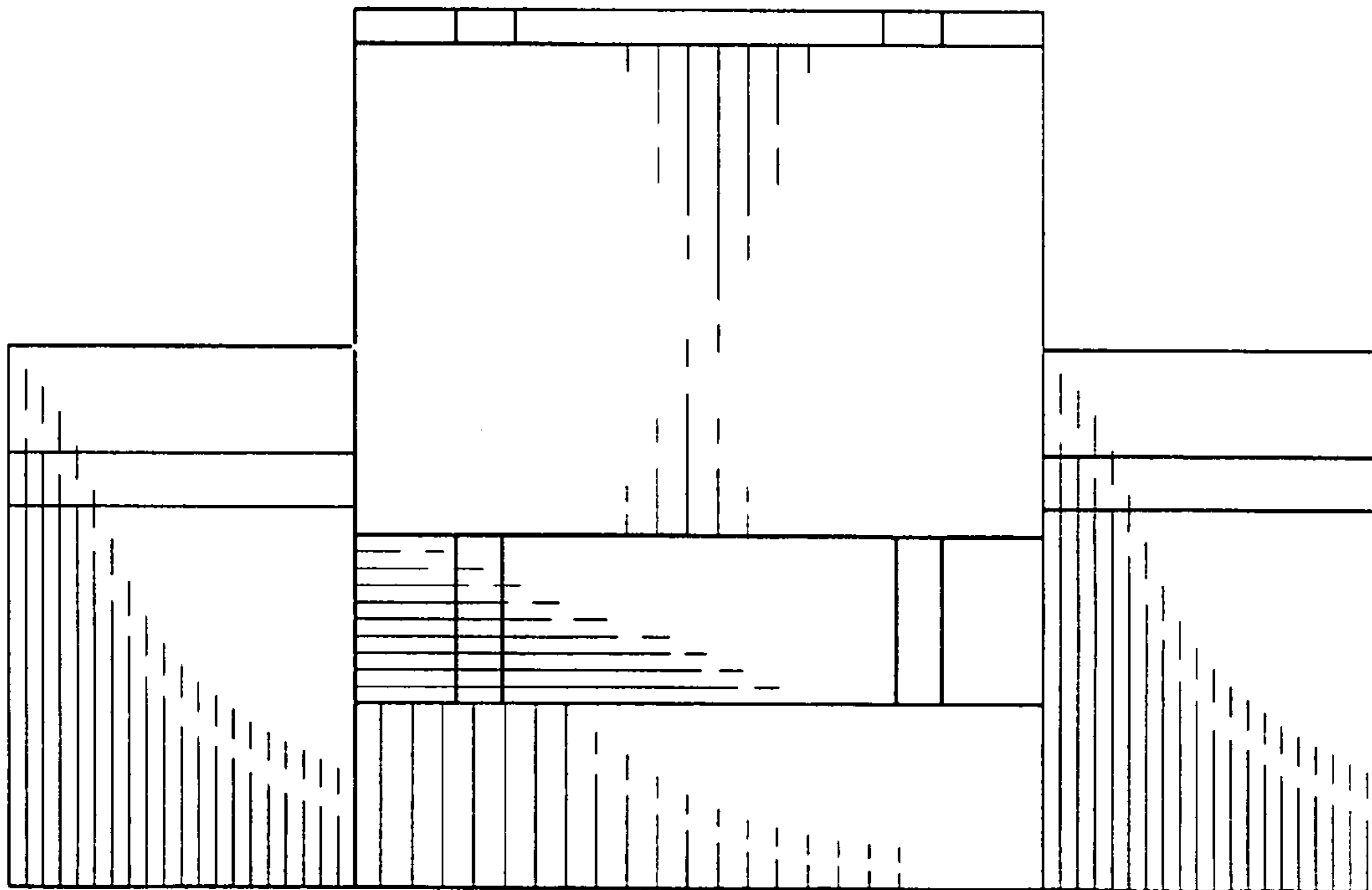


Fig. 3

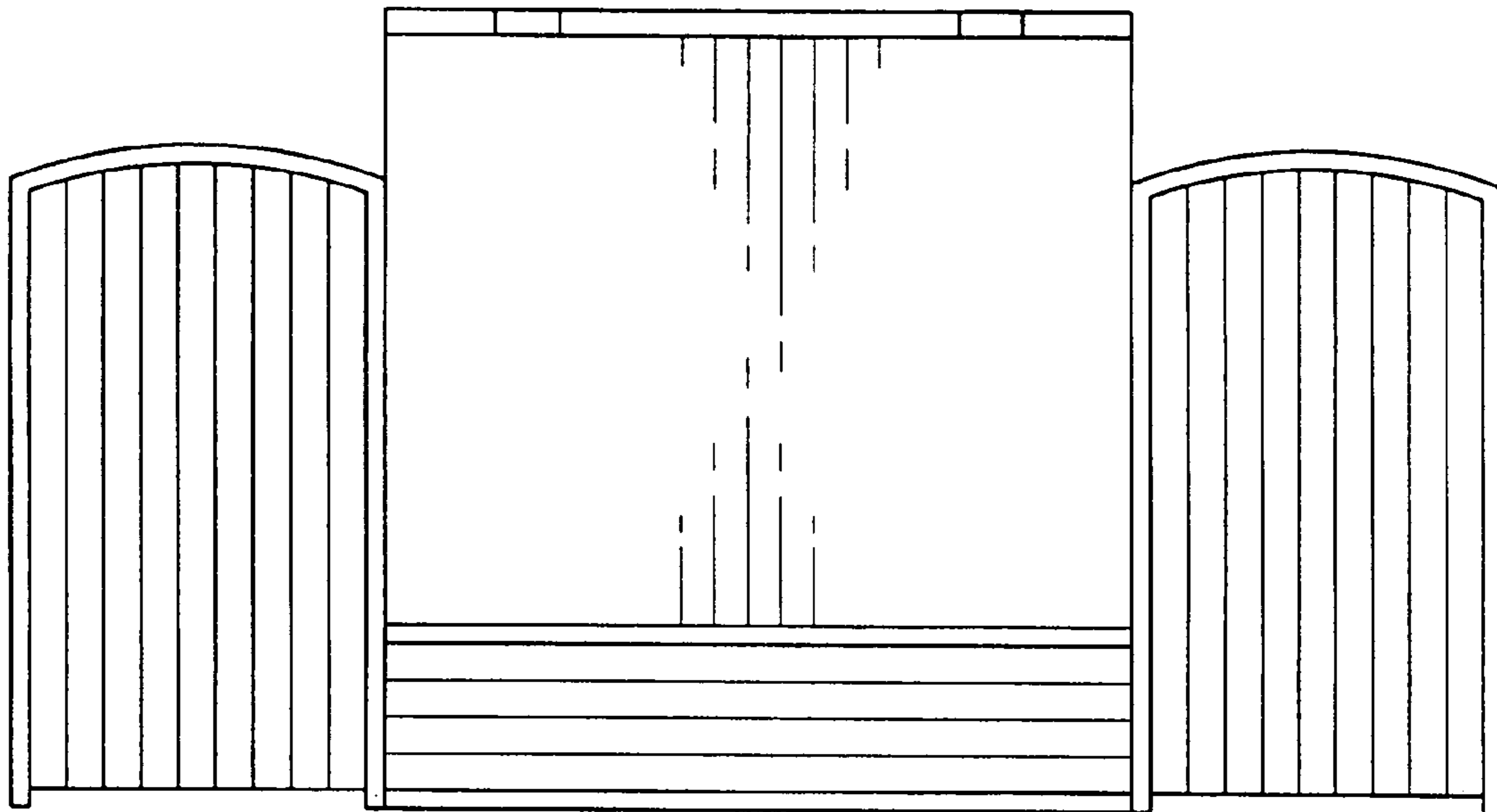


Fig. 4

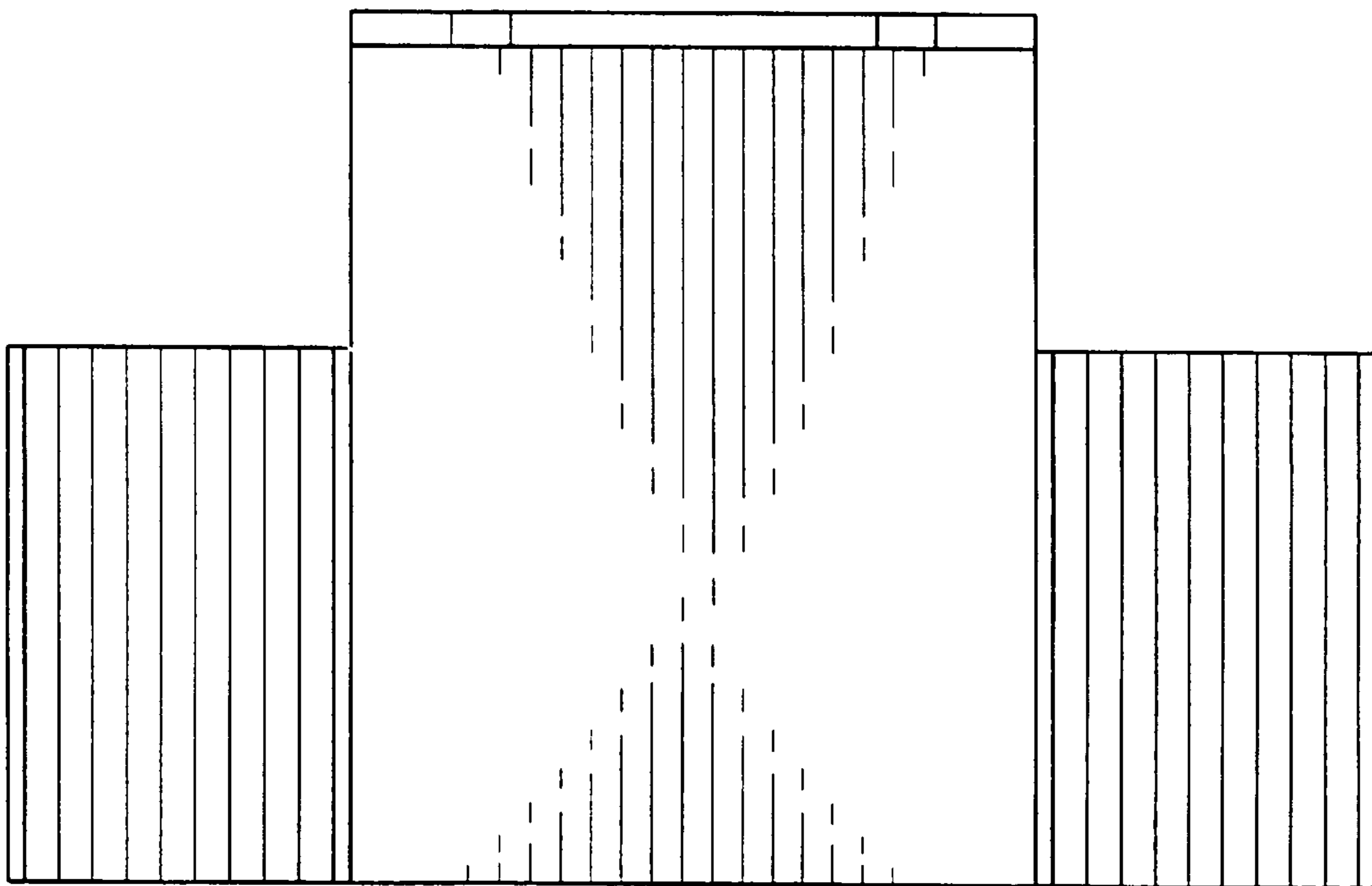


Fig. 5

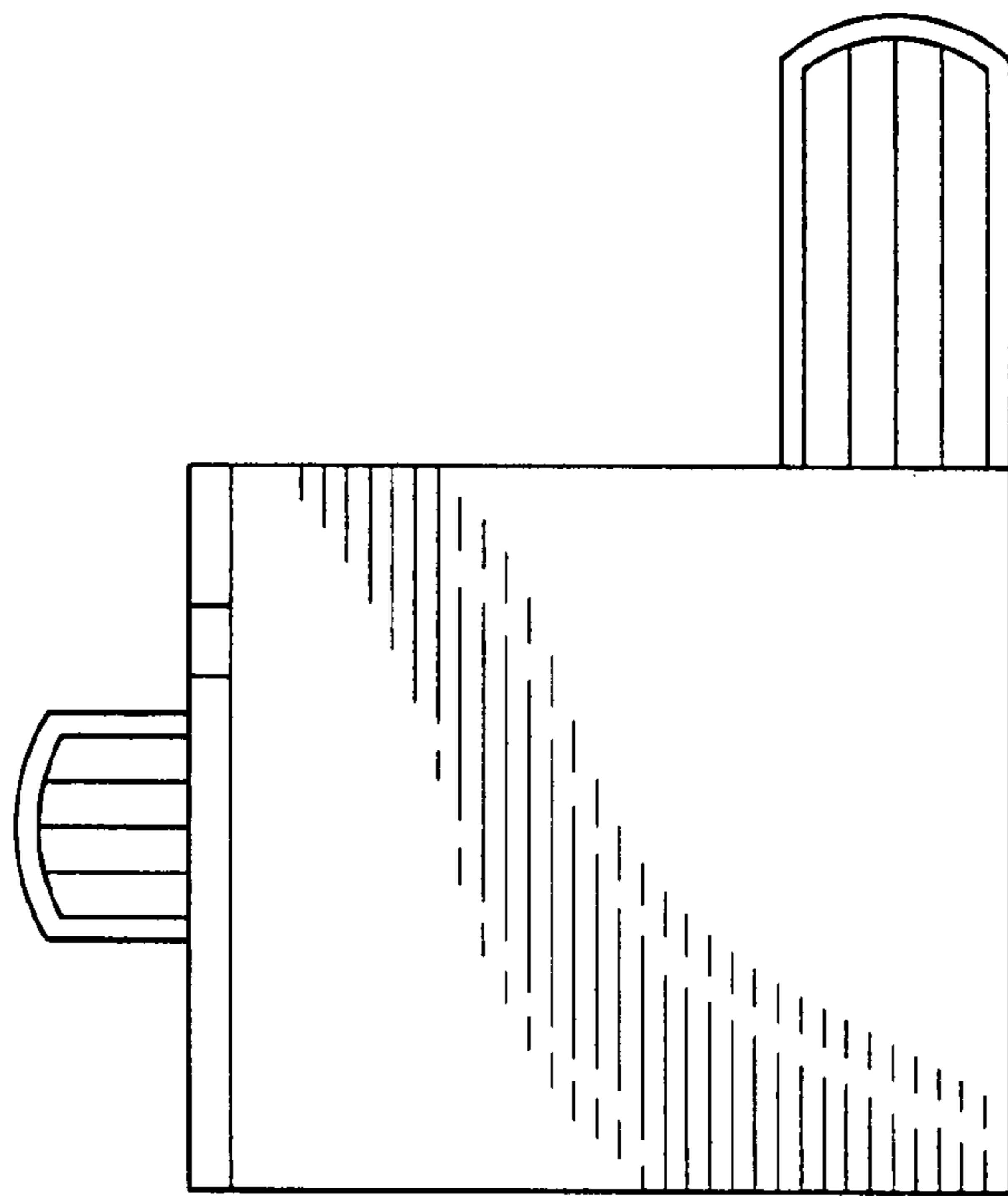


Fig. 6