



US00D609475S

(12) **United States Design Patent**
Kirby

(10) **Patent No.:** **US D609,475 S**

(45) **Date of Patent:** **** Feb. 9, 2010**

(54) **TOOL CASE**

(75) Inventor: **Michael W. Kirby**, Menomonee Falls, WI (US)

(73) Assignee: **Milwaukee Electric Tool Corporation**, Brookfield, WI (US)

(**) Term: **14 Years**

(21) Appl. No.: **29/283,641**

(22) Filed: **Aug. 20, 2007**

(51) **LOC (9) Cl.** **03-01**

(52) **U.S. Cl.** **D3/323; D3/318**

(58) **Field of Classification Search** D3/201, D3/203.1, 203.6–203.8, 205, 232, 239, 273, D3/292, 299, 318, 323–324, 904–905; 150/126; 190/18 A

See application file for complete search history.

(56) **References Cited**

U.S. PATENT DOCUMENTS

- D394,157 S * 5/1998 Dickinson et al. D3/318
- D458,026 S * 6/2002 Terada D3/324
- D497,254 S * 10/2004 Koenig et al. D3/318
- 2006/0011624 A1 * 1/2006 Shih 220/4.24

OTHER PUBLICATIONS

8 Piece Universal Quik-Lok(TM) Flat Boring Set from <http://www.milwaukeetool.com/webapp/wcs/stores/servlet/>

ProductDisplay?storeId=27&catalogId=40028&langId=-1 &mainCategoryId=192327&fromSearch=Y&productId=746138, visted Sep. 15, 2007.

Milwaukee Electric Tool Corporation 2003 Catalog, pp. 48, 50, 53, 55, 56, 57, 58, 59, 66 and 97.

Listing of Milwaukee Electric Tool Brand Flat Boring Bits from http://ww.milwaukeeconnect.com/webapp/wcs/stores/servlet/category_27_40028_-1_19... Visited Sep. 11, 2007.

* cited by examiner

Primary Examiner—Philip S Hyder

Assistant Examiner—Roselynn Cody

(74) *Attorney, Agent, or Firm*—Michael Best & Friedrich LLP

(57) **CLAIM**

I claim the ornamental design for a tool case, as shown and described.

DESCRIPTION

FIG. 1 is a front perspective view of a tool case according to showing the new design.

FIG. 2 is a front view of the tool case shown in FIG. 1.

FIG. 3 is a left view of the tool case shown in FIG. 1.

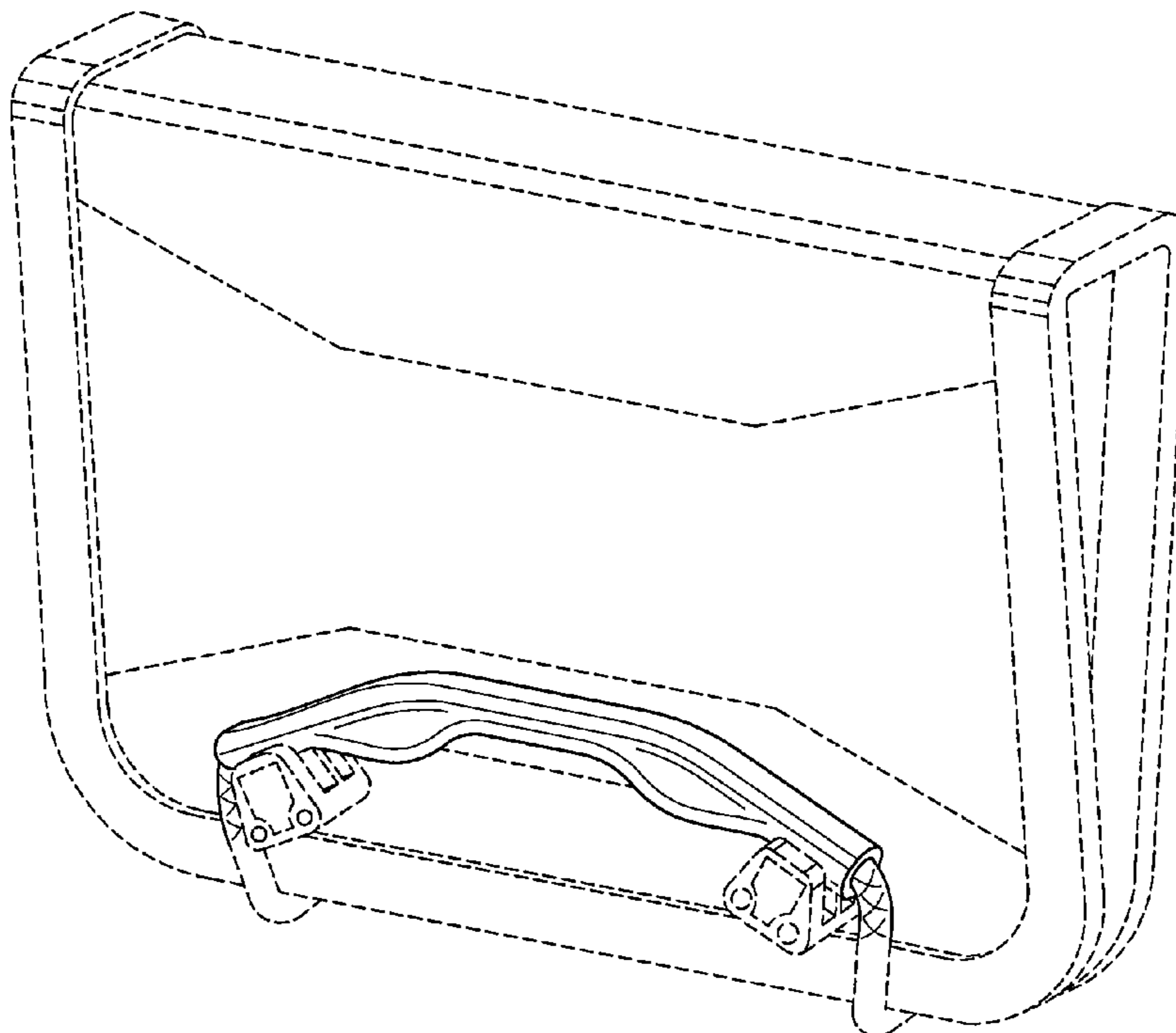
FIG. 4 is a right view of the tool case shown in FIG. 1.

FIG. 5 is a top view of the tool case shown in FIG. 1; and,

FIG. 6 is a bottom view of the tool case shown in FIG. 1.

The broken line portions of the drawing are provided to show the environment and form no part of the claimed design.

1 Claim, 4 Drawing Sheets



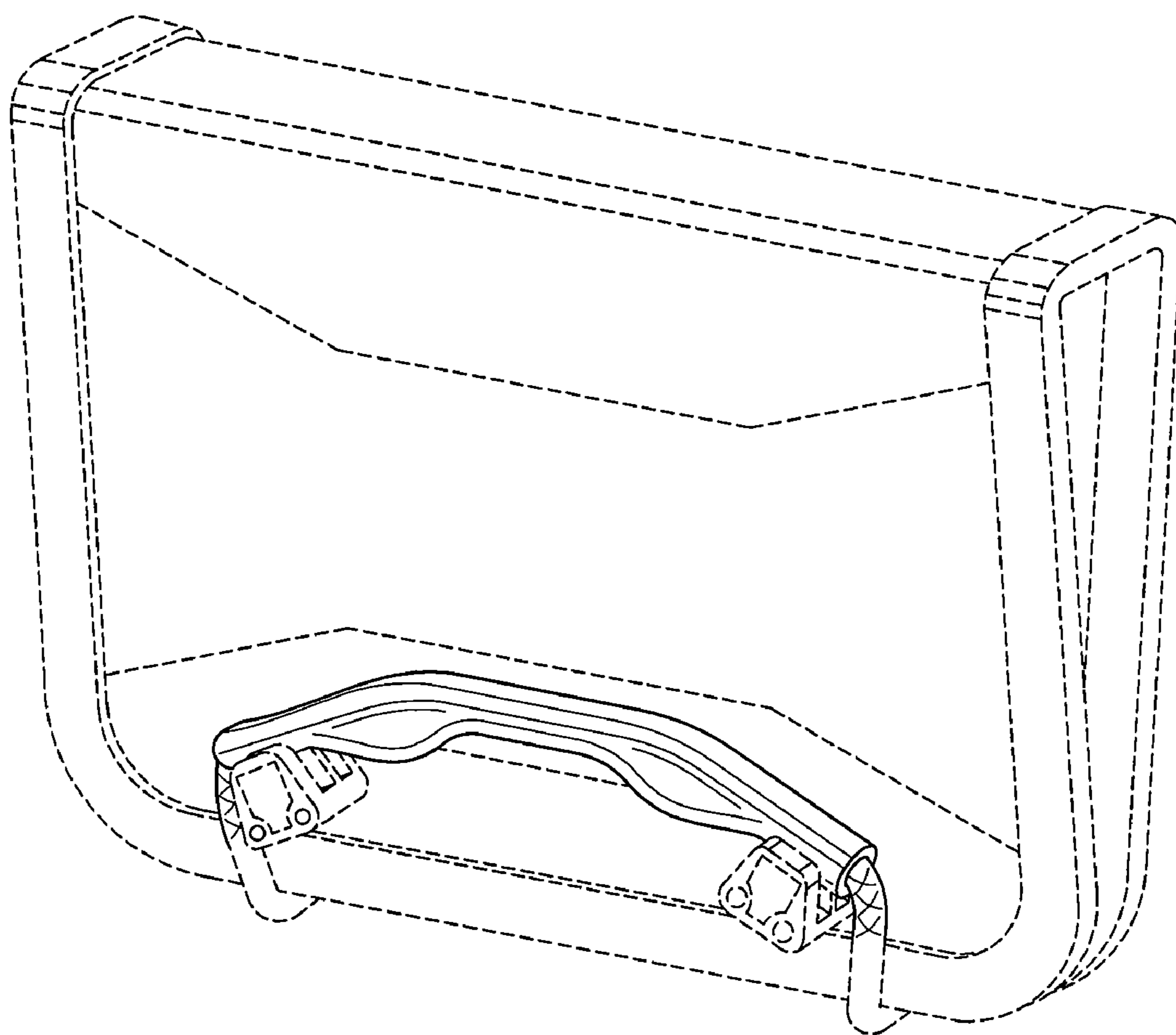


Fig. 1

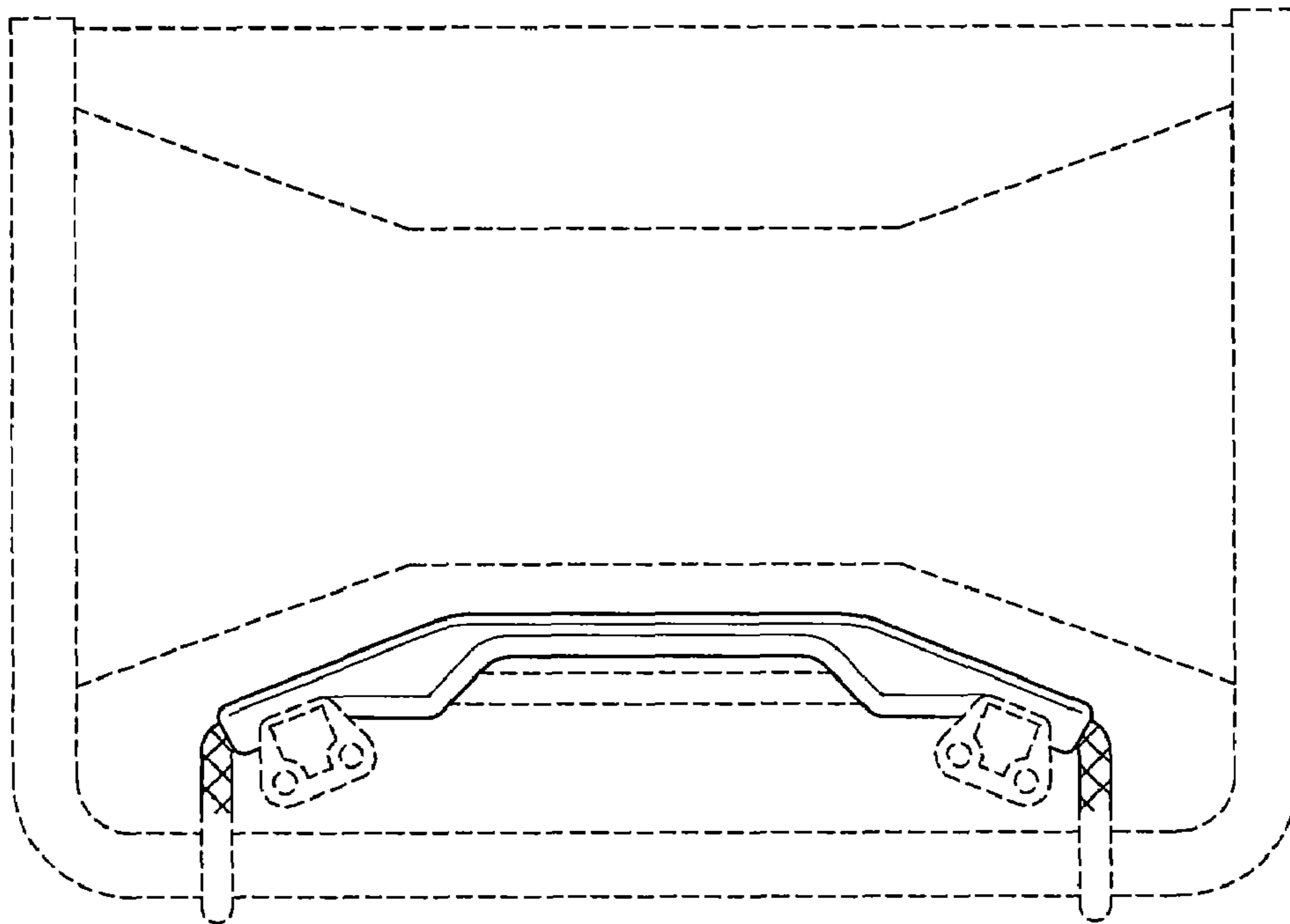


Fig. 2

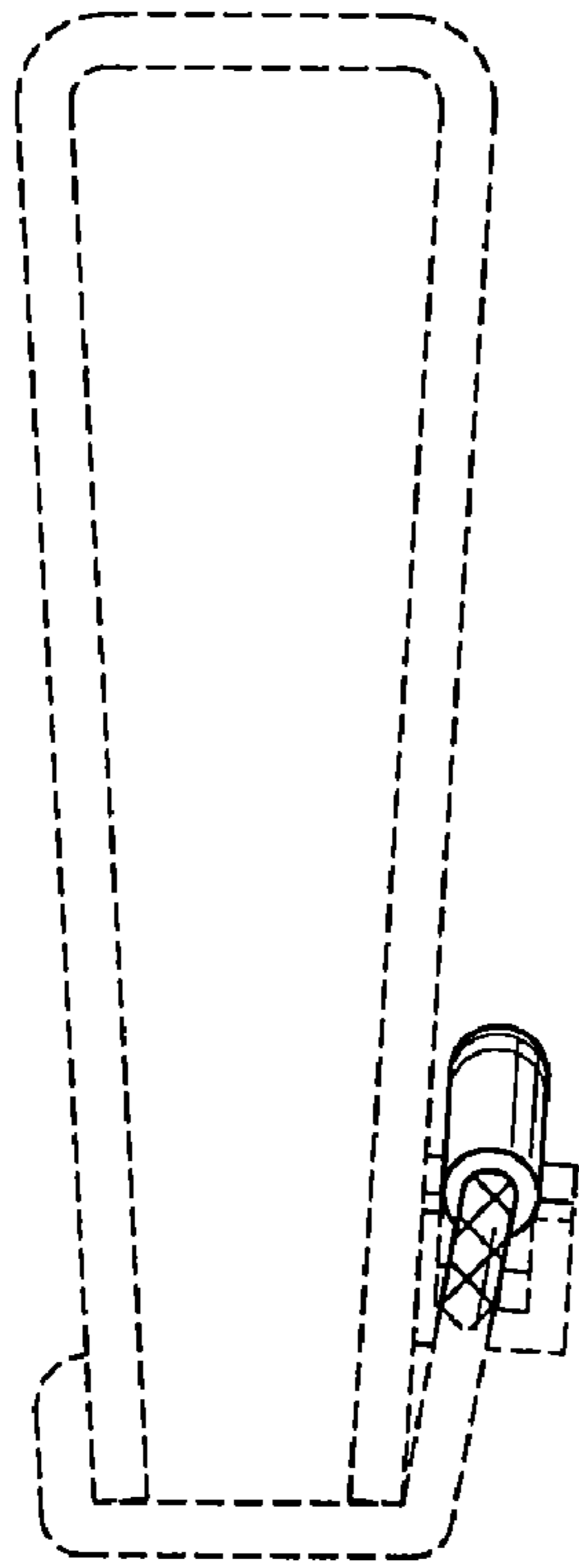


Fig. 3

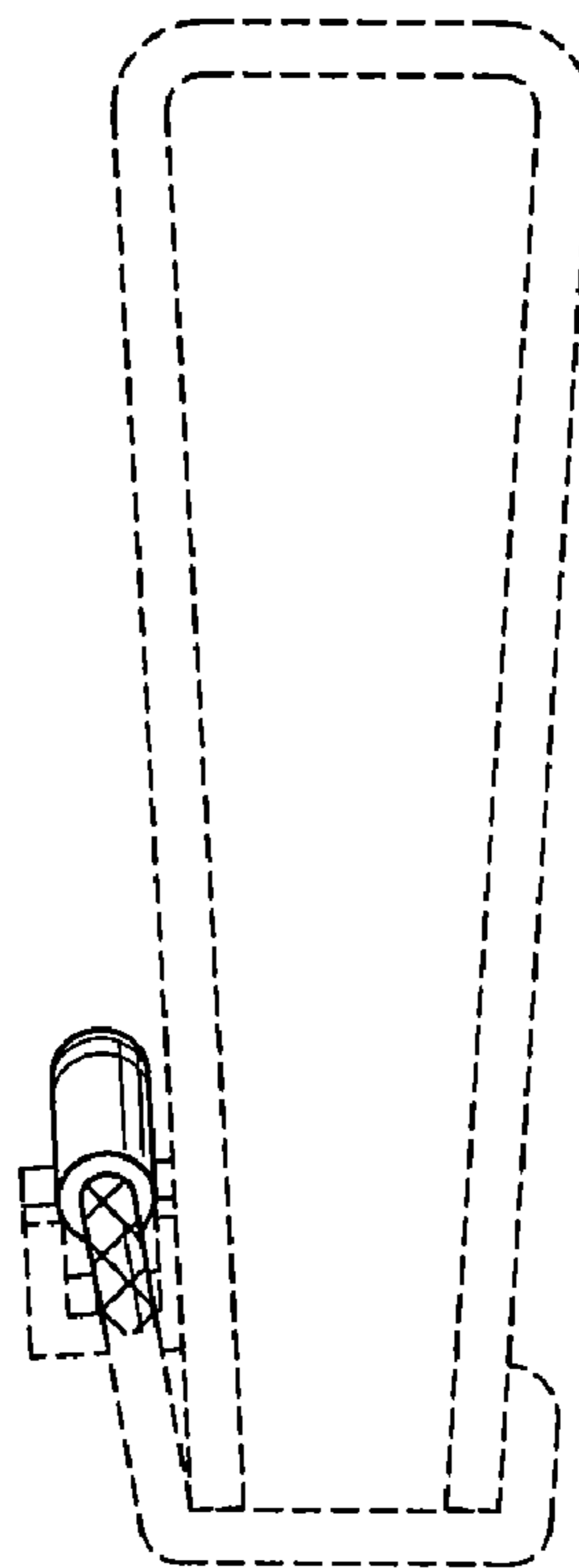


Fig. 4

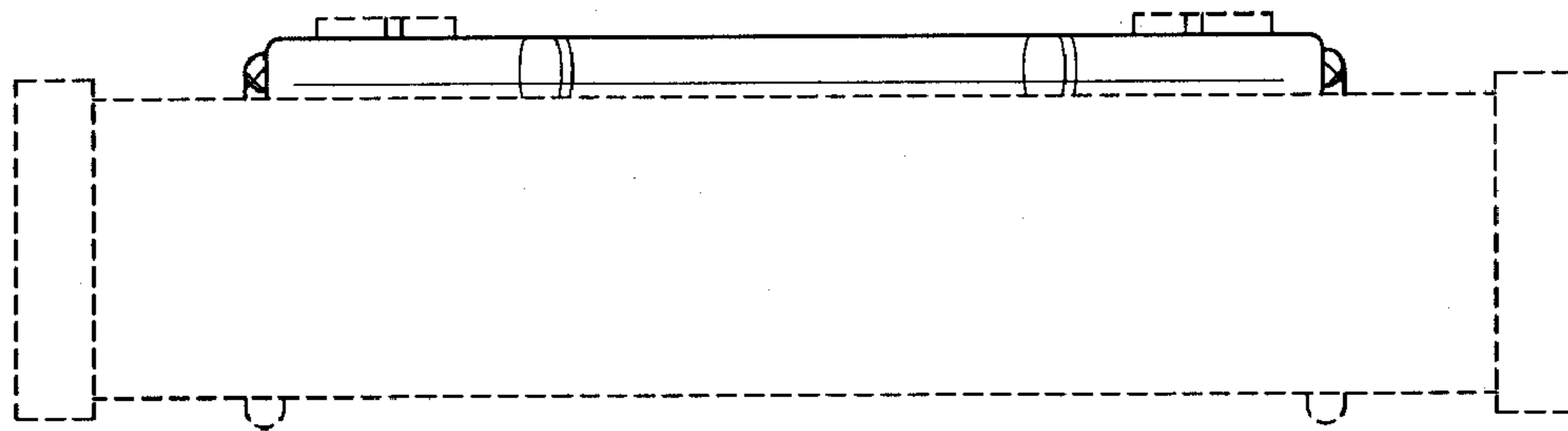


Fig. 5

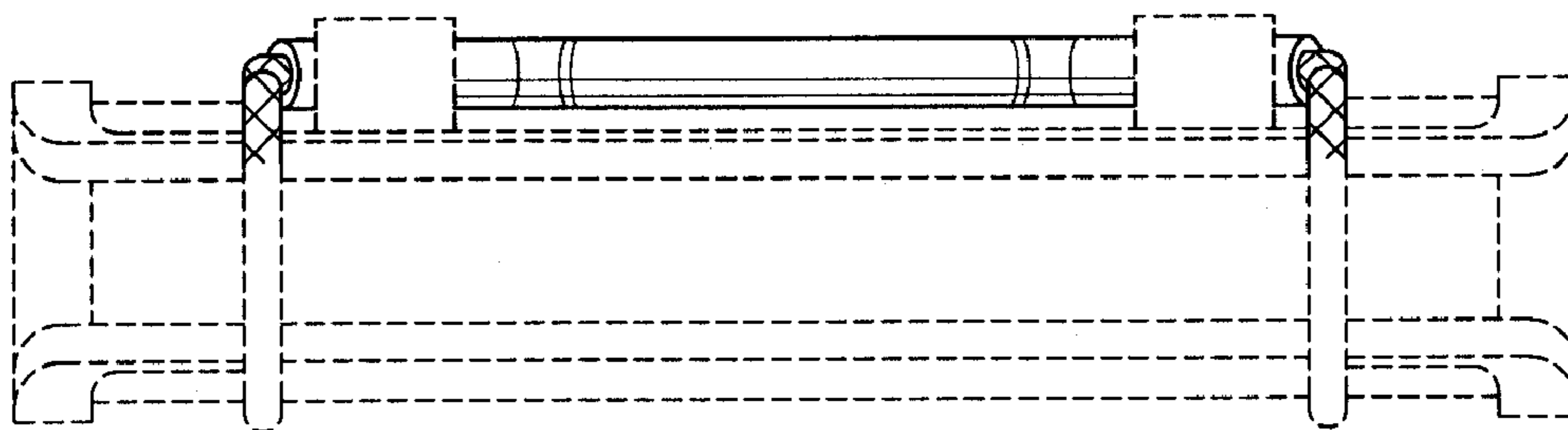


Fig. 6