



US00D609472S

(12) **United States Design Patent**
Chen

(10) **Patent No.:** **US D609,472 S**

(45) **Date of Patent:** **** Feb. 9, 2010**

(54) **STORAGE BIN**

(76) **Inventor:** **Ching-Tzu Chen**, No. 7, Lane 107, Sec. 2, Jinhua Rd., Tainan City (TW)

(**) **Term:** **14 Years**

(21) **Appl. No.:** **29/332,120**

(22) **Filed:** **Feb. 9, 2009**

(51) **LOC (9) Cl.** **03-01**

(52) **U.S. Cl.** **D3/294**

(58) **Field of Classification Search** D3/203.1, D3/203.6, 273, 294-297; D6/432, 441, 443, D6/475-476; D34/1, 7-8; 206/320, 503, 206/507-509; 312/107-109, 114, 138.1

See application file for complete search history.

(56) **References Cited**

U.S. PATENT DOCUMENTS

121,504	A *	12/1871	Fitzgerald	312/138.1
977,318	A *	11/1910	Leibe et al.	312/120
D57,869	S *	5/1921	Spence	D6/436
2,635,762	A *	4/1953	Shaw	211/85.17
2,715,559	A *	8/1955	Villo	312/107
D216,367	S *	12/1969	Jasinski	D6/446
D220,452	S *	4/1971	Norquest	D34/8
4,270,816	A *	6/1981	Erickson et al.	312/3
D264,031	S *	4/1982	Sorensen	D6/471
4,458,960	A *	7/1984	Dunst	312/138.1
D283,084	S *	3/1986	Bannigan	D3/274
D283,271	S *	4/1986	Bannigan	D3/274
D283,861	S *	5/1986	Cantolino	D6/471

D299,879	S *	2/1989	Pickering	D34/1
D310,744	S *	9/1990	Fletcher et al.	D34/1
D378,636	S *	4/1997	Chrisco	D6/443
5,800,027	A *	9/1998	Dunn	312/138.1
6,322,177	B1 *	11/2001	Vasudeva	312/242
2009/0159599	A1 *	6/2009	Alexander	220/560.01

* cited by examiner

Primary Examiner—Philip S Hyder
Assistant Examiner—Roselynnne Cody
(74) *Attorney, Agent, or Firm*—patenttm.us

(57) **CLAIM**

The ornamental design for a storage bin, as shown and described.

DESCRIPTION

FIG. 1 is a perspective view of a storage bin, showing my new design;

FIG. 2 is a front view thereof;

FIG. 3 is a rear view thereof;

FIG. 4 is a left view thereof;

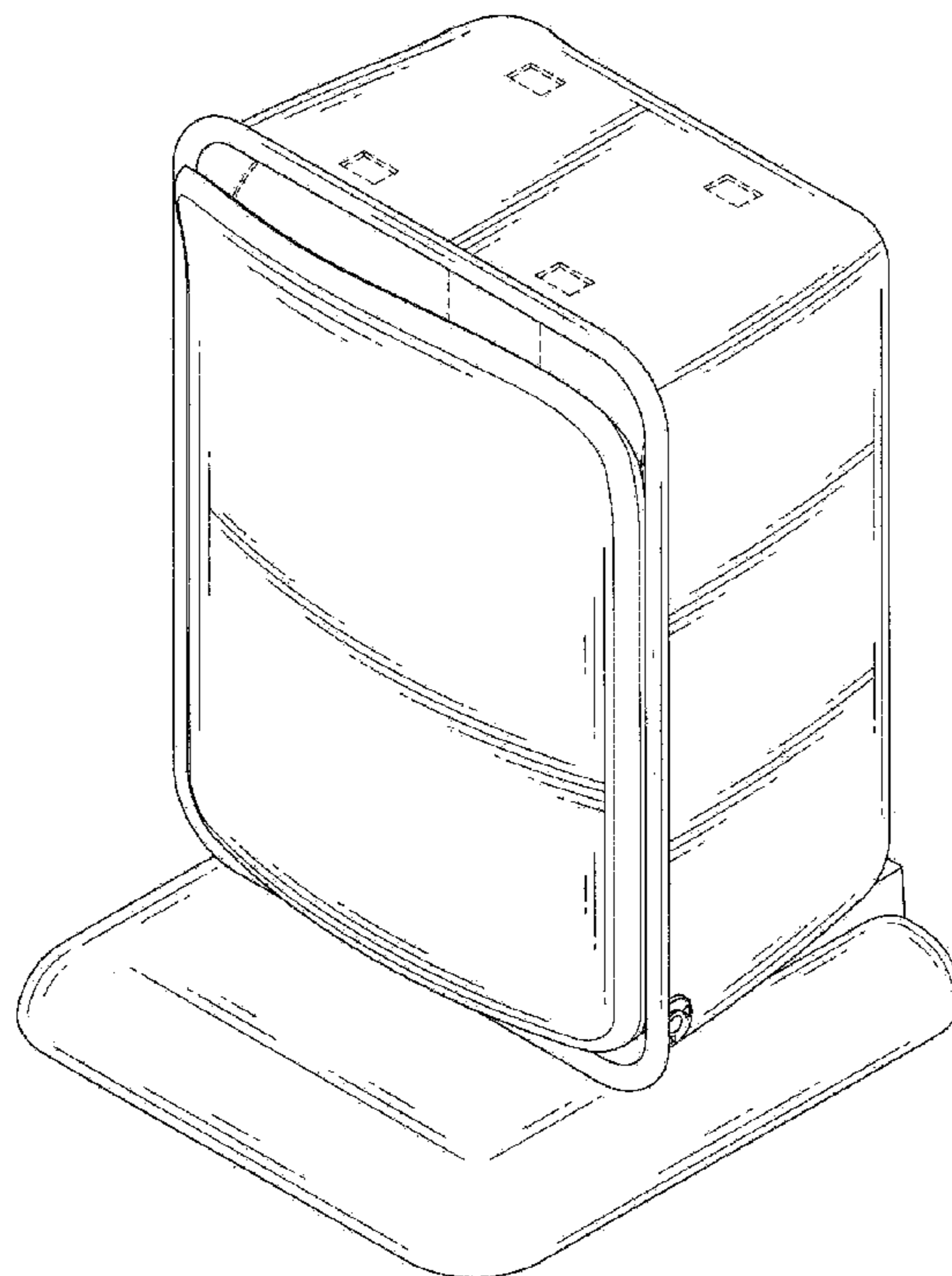
FIG. 5 is a right view thereof;

FIG. 6 is a top view thereof; and,

FIG. 7 is an operational view of the storage bin, wherein multiple bins are stacked together and a top bin is pivotally opened.

The broken lines in the figures illustrate environment and features of the design which form no part of the claim.

1 Claim, 7 Drawing Sheets



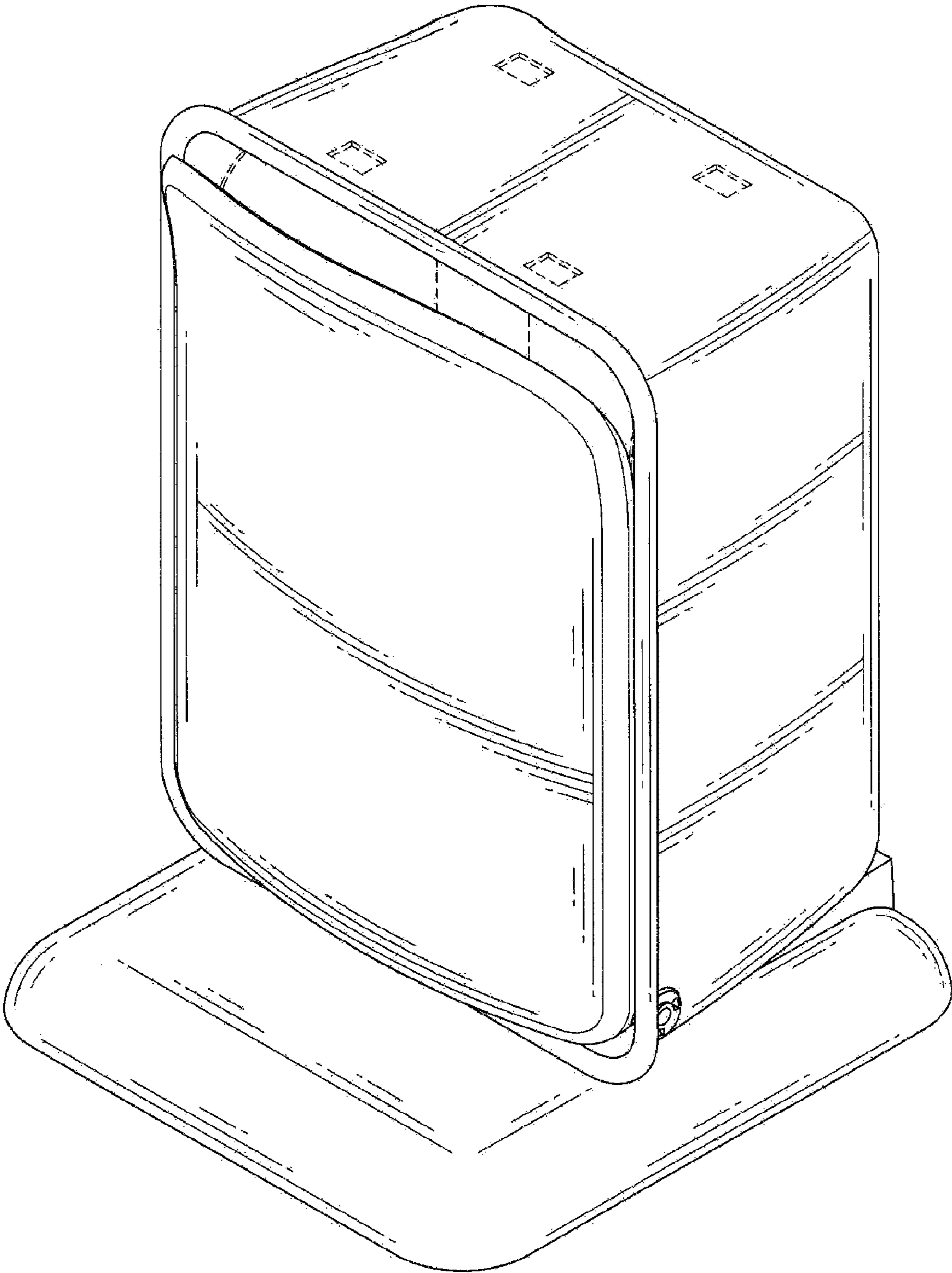


FIG.1

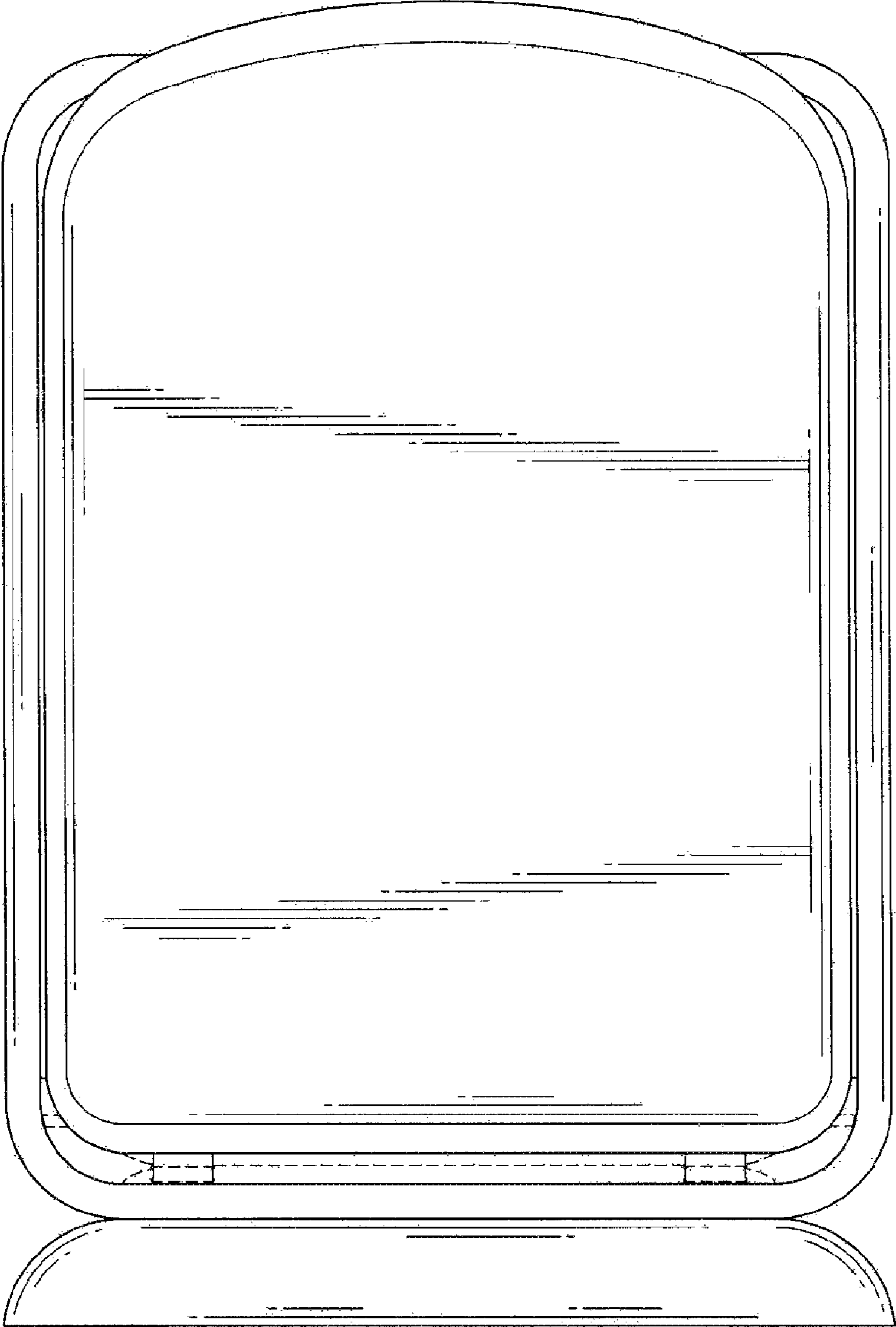


FIG. 2

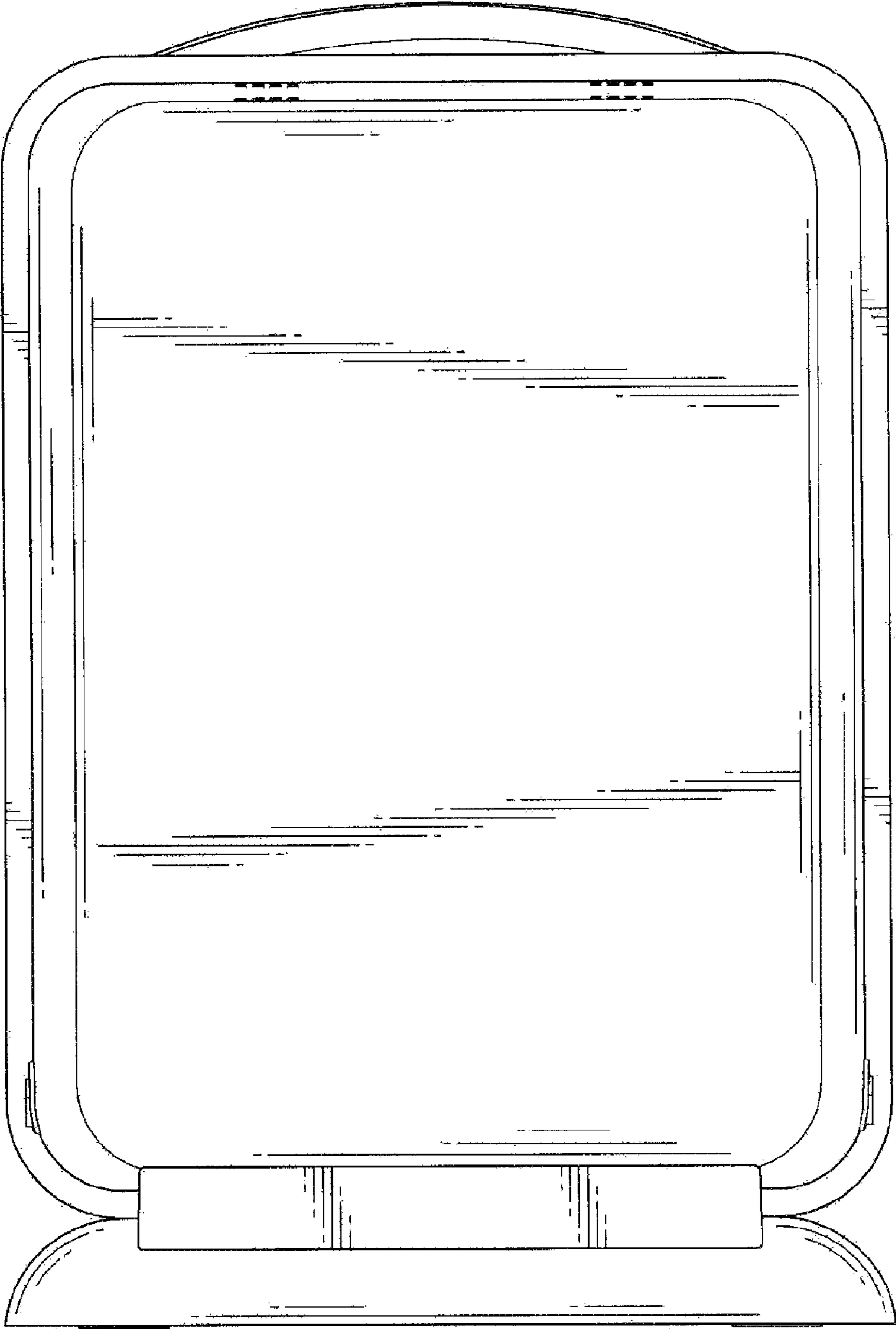


FIG.3

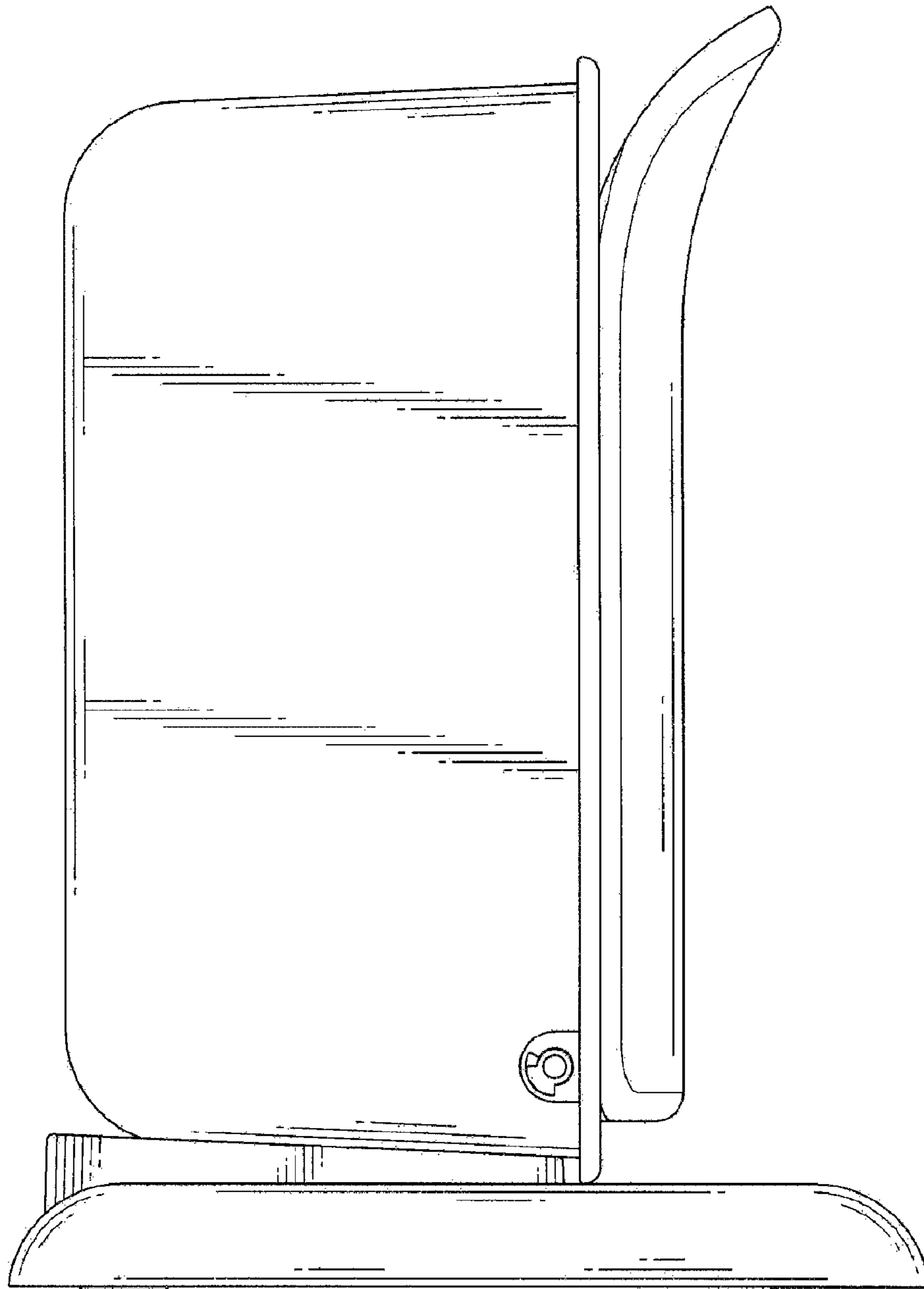


FIG.4

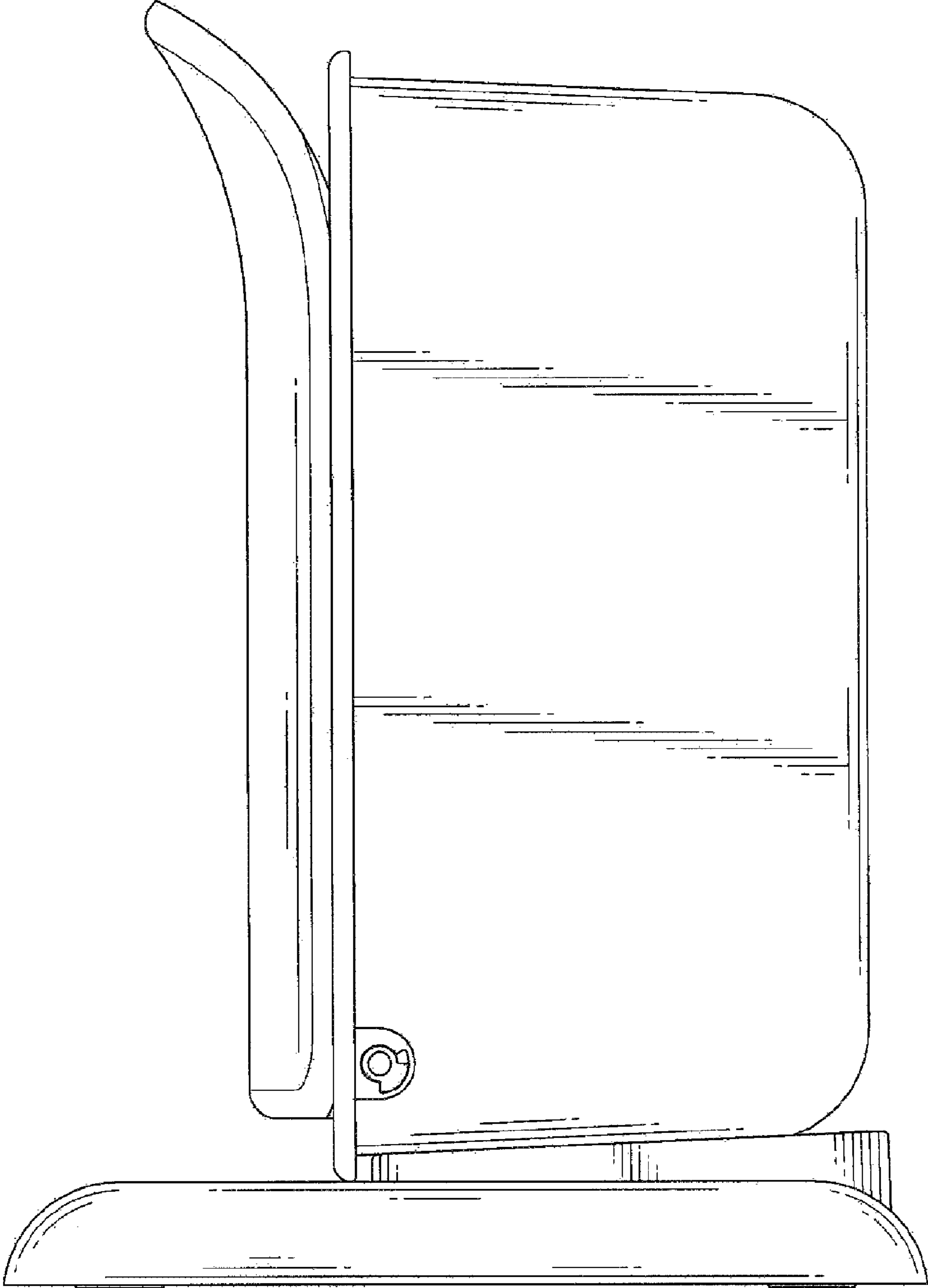


FIG.5

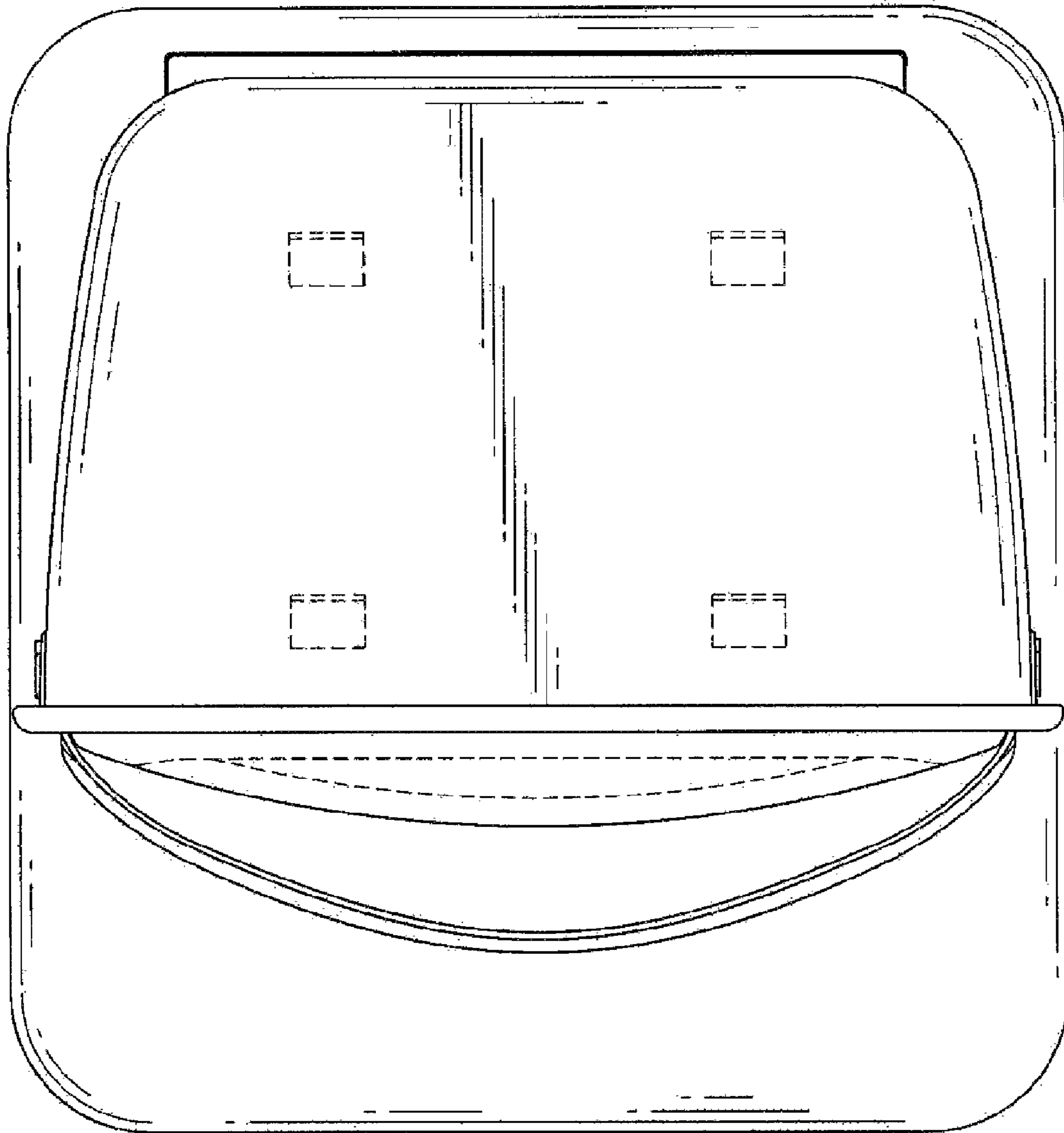


FIG.6

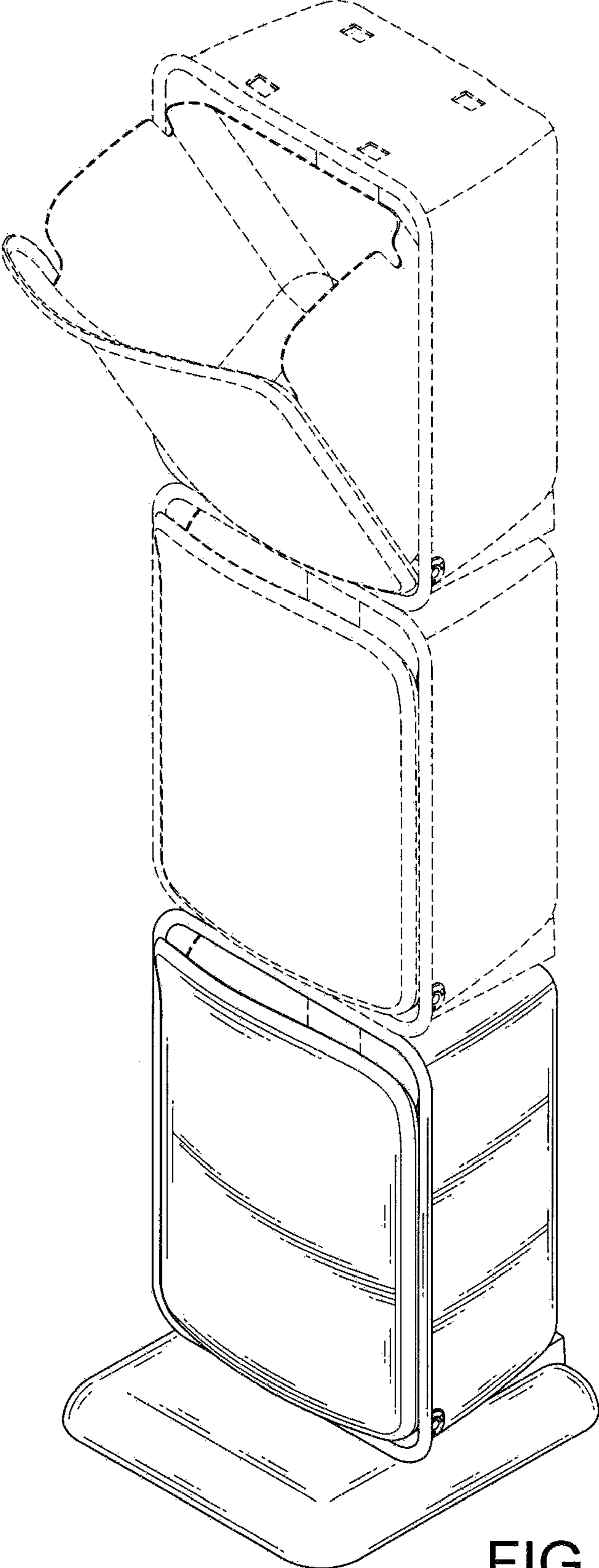


FIG.7