



US00D609458S

(12) **United States Design Patent**  
**Kruse et al.**

(10) **Patent No.:** **US D609,458 S**

(45) **Date of Patent:** **\*\* Feb. 9, 2010**

(54) **CONTAINER WITH CLOTH**

(75) Inventors: **James J. Kruse**, Mound, MN (US);  
**David Breymeier**, Lilburn, GA (US)

(73) Assignee: **One Source Network, Inc.**, Lilburn, GA (US)

(\*\*) Term: **14 Years**

(21) Appl. No.: **29/314,681**

(22) Filed: **Apr. 20, 2009**

(51) **LOC (9) Cl.** ..... **03-01**

(52) **U.S. Cl.** ..... **D3/215**

(58) **Field of Classification Search** ..... D3/215,  
D3/226, 201, 221, 274, 278, 287, 233; D6/601-602,  
D6/606, 608, 512; 206/37-38, 5, 361; 224/274,  
224/254, 251; 15/208, 209.1, 235  
See application file for complete search history.

(56) **References Cited**

U.S. PATENT DOCUMENTS

6,196,382 B1 *	3/2001	Lenderman	.....	206/37
D537,288 S *	2/2007	Jones	.....	D6/608
D580,161 S *	11/2008	Jones	.....	D3/226
D581,154 S *	11/2008	Cameron	.....	D3/215

\* cited by examiner

*Primary Examiner*—Catherine R Oliver

(74) *Attorney, Agent, or Firm*—Clayton R. Johnson

(57) **CLAIM**

The ornamental design for a container with cloth, as shown and described.

**DESCRIPTION**

FIG. 1 is a perspective view of the container with cloth showing our new design;

FIG. 2 is a bottom plan view thereof;

FIG. 3 is a top plan view thereof;

FIG. 4 is a left side view thereof;

FIG. 5 is an inverted side view thereof;

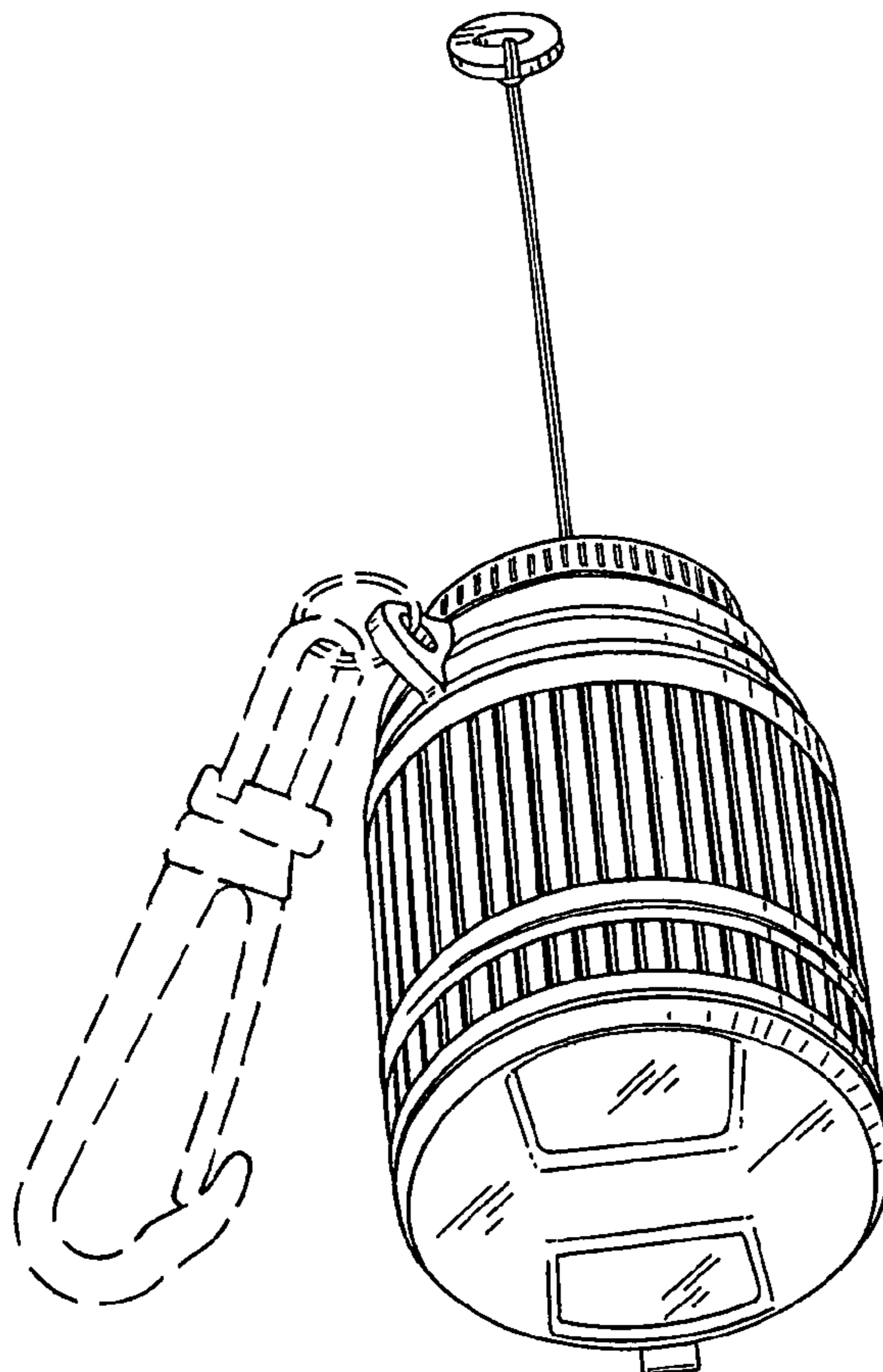
FIG. 6 is an additional side view slightly rotated;

FIG. 7 is an opposite side view of FIG. 4; and,

FIG. 8 is a perspective view with the cloth shown withdrawn from the container.

The broken line showing of the snap hook and the ring mounting it to the container is only for a manner of attaching the container to another object and forms no part of the claimed invention.

**1 Claim, 5 Drawing Sheets**



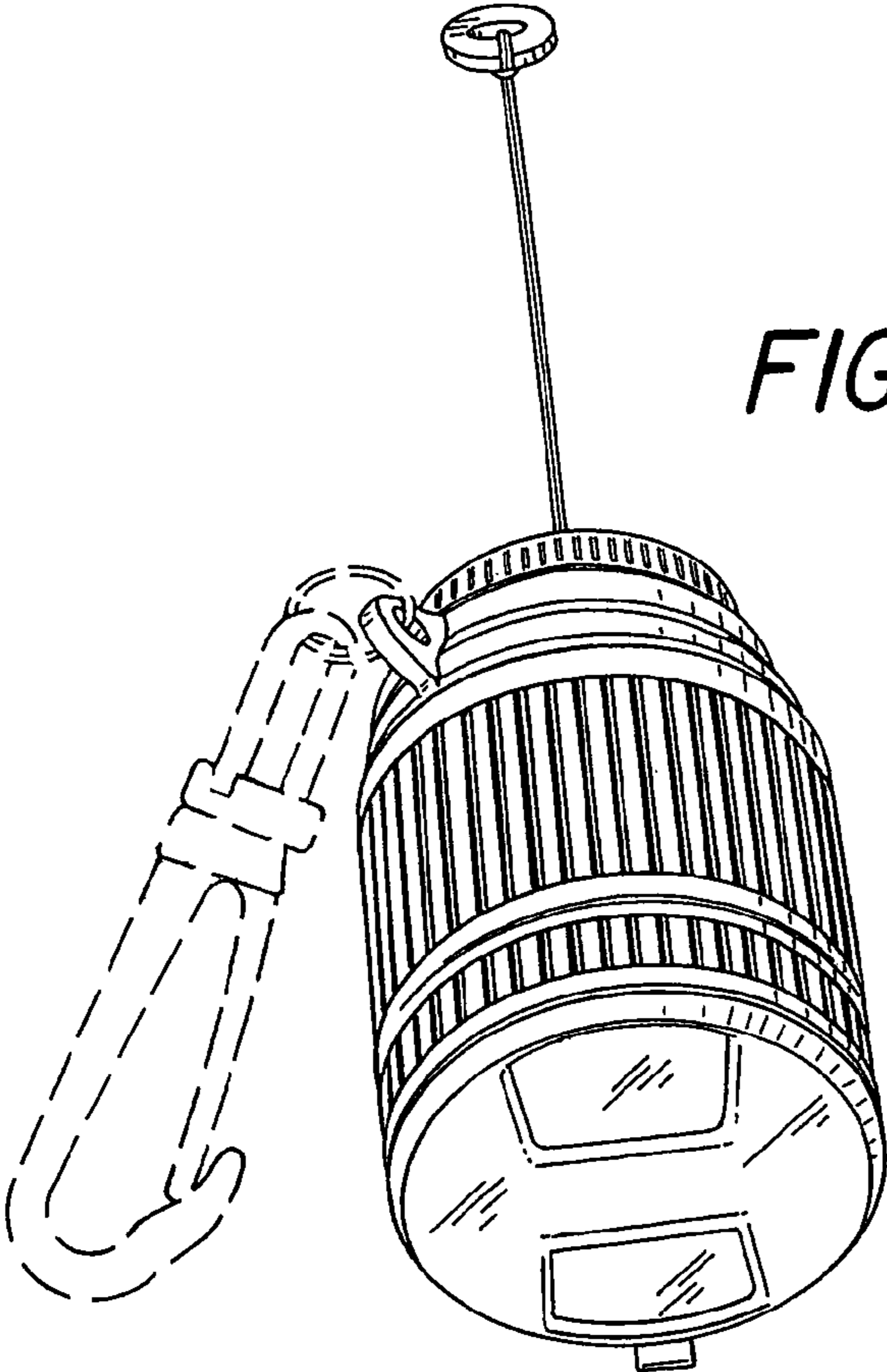


FIG. 1

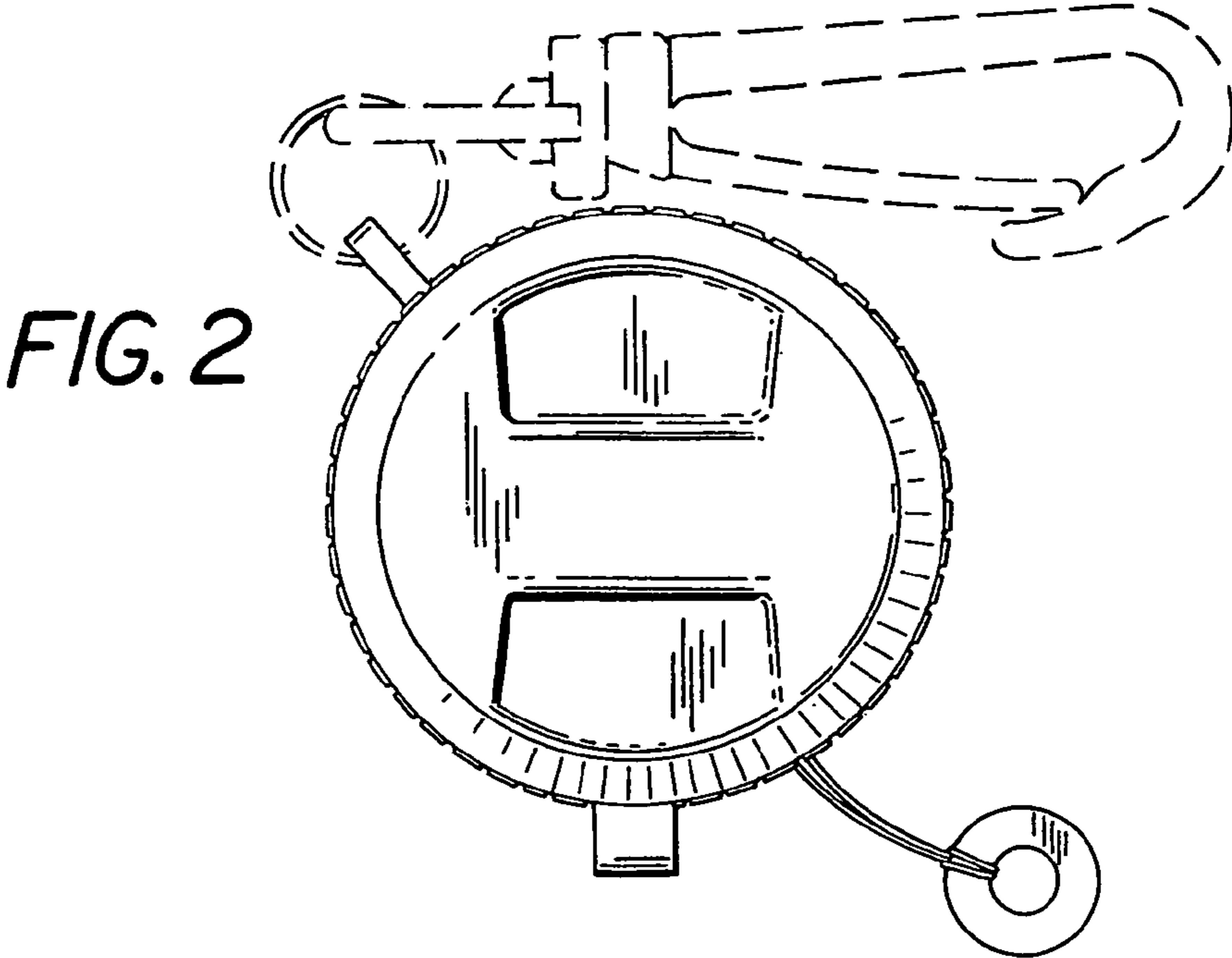


FIG. 2

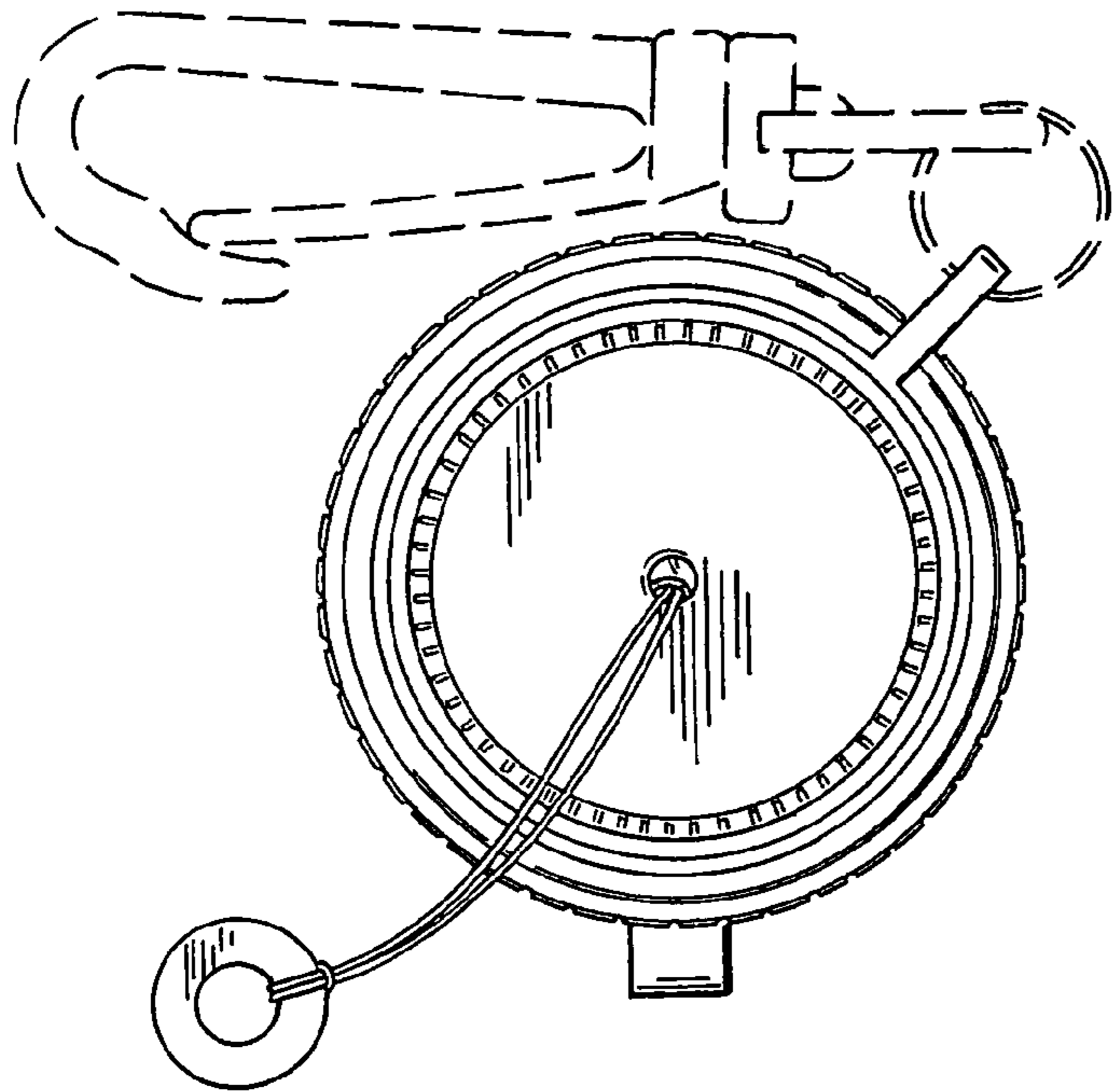


FIG. 3

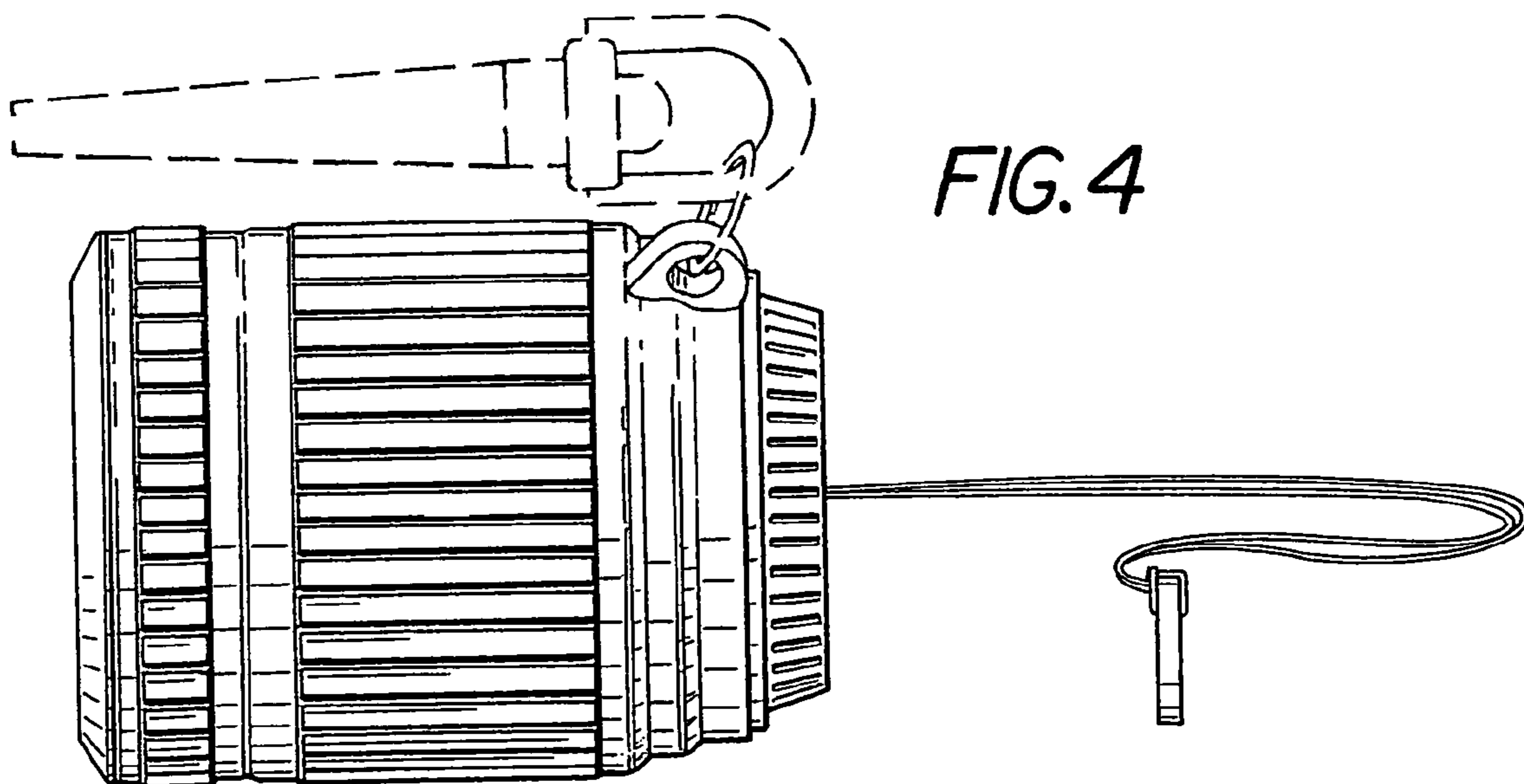


FIG. 4

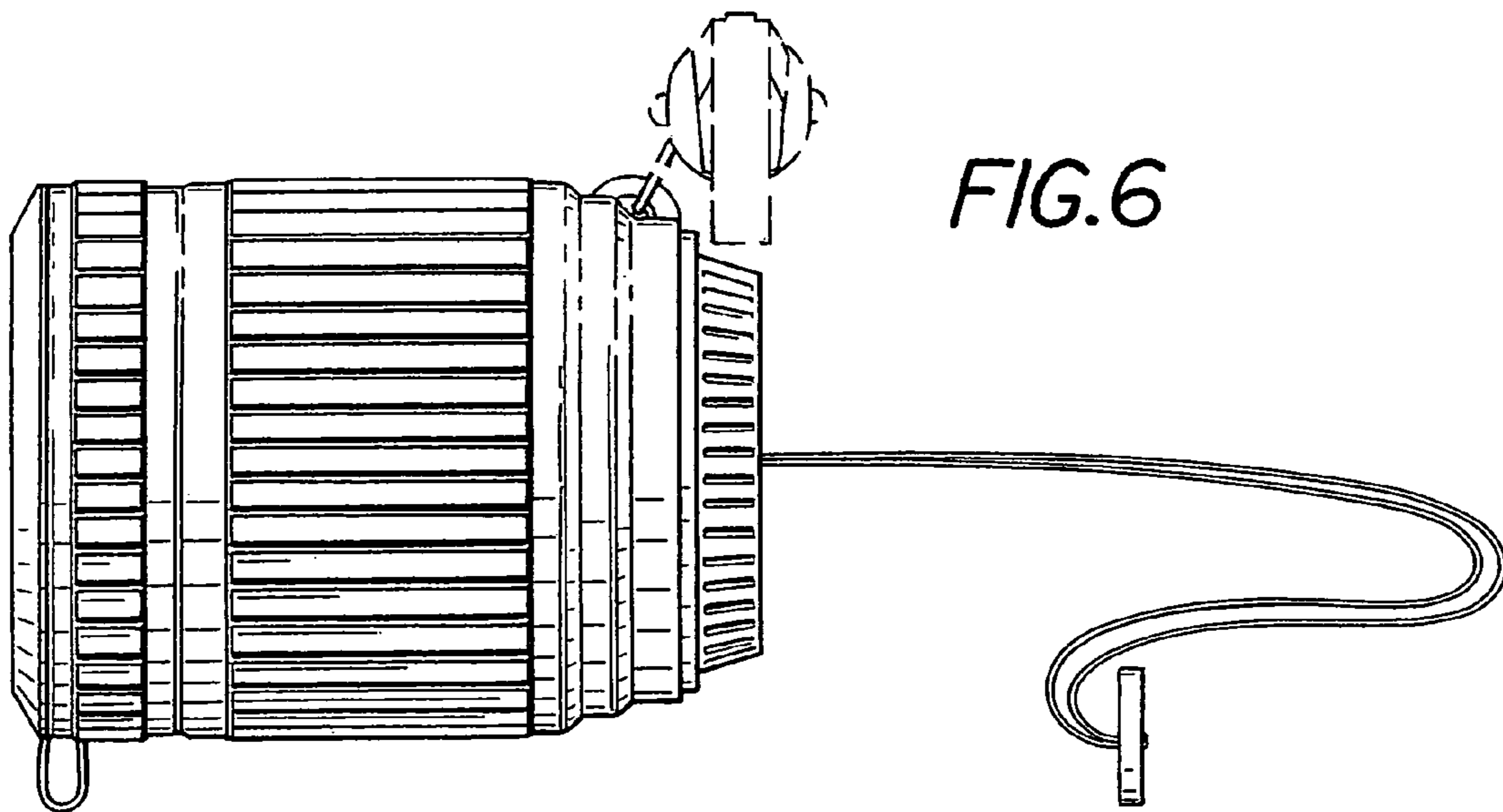
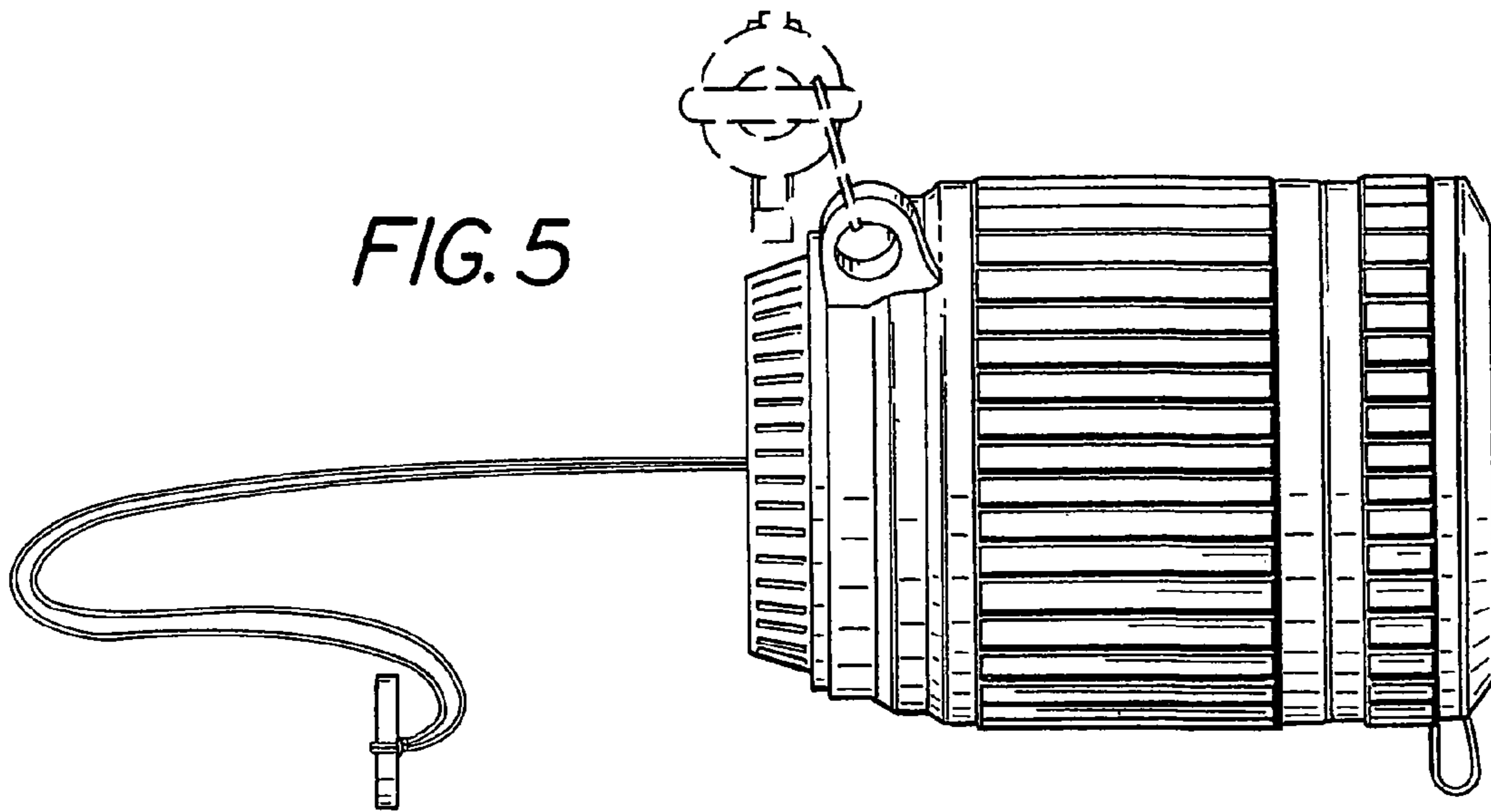
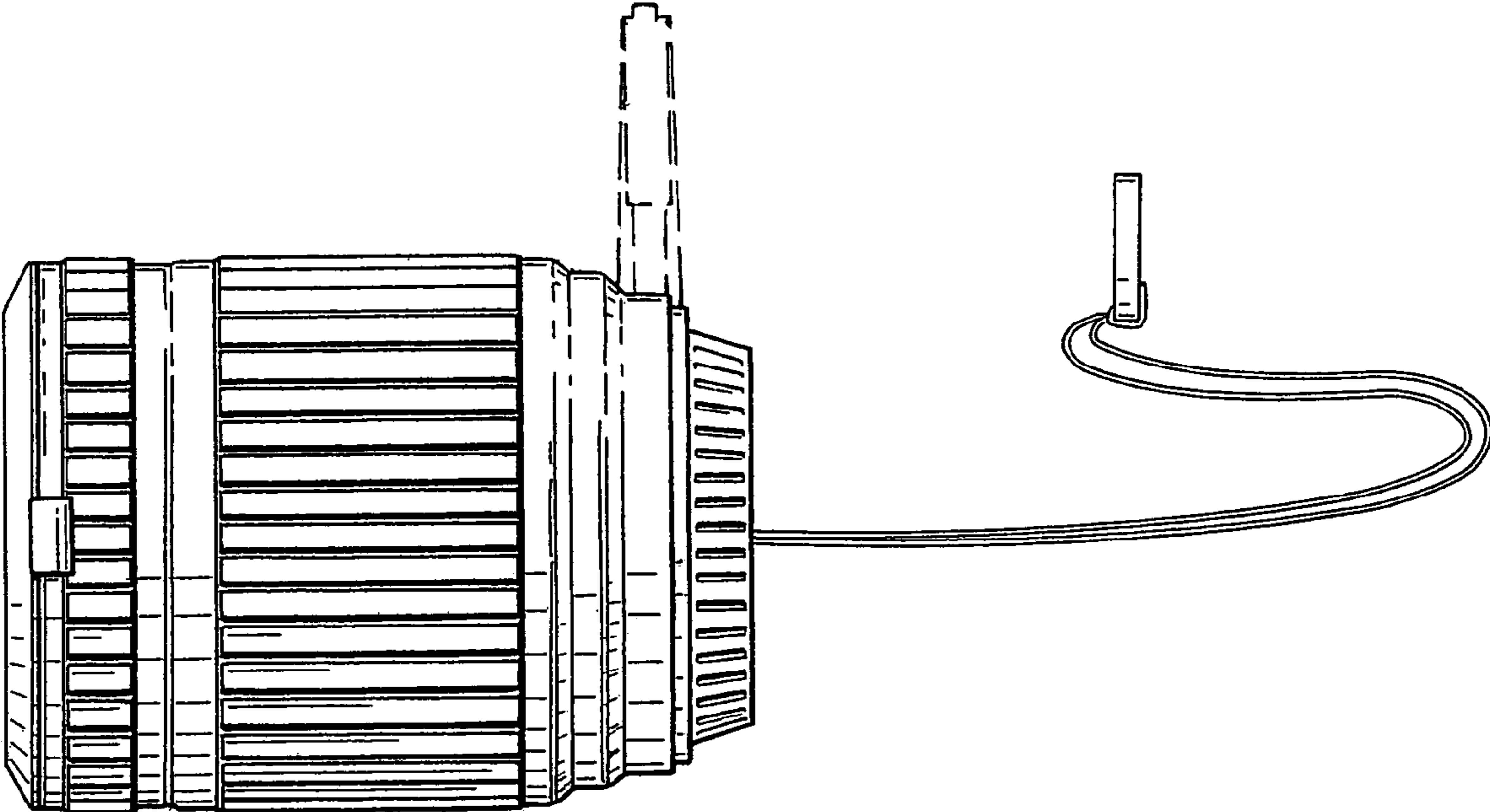


FIG. 7



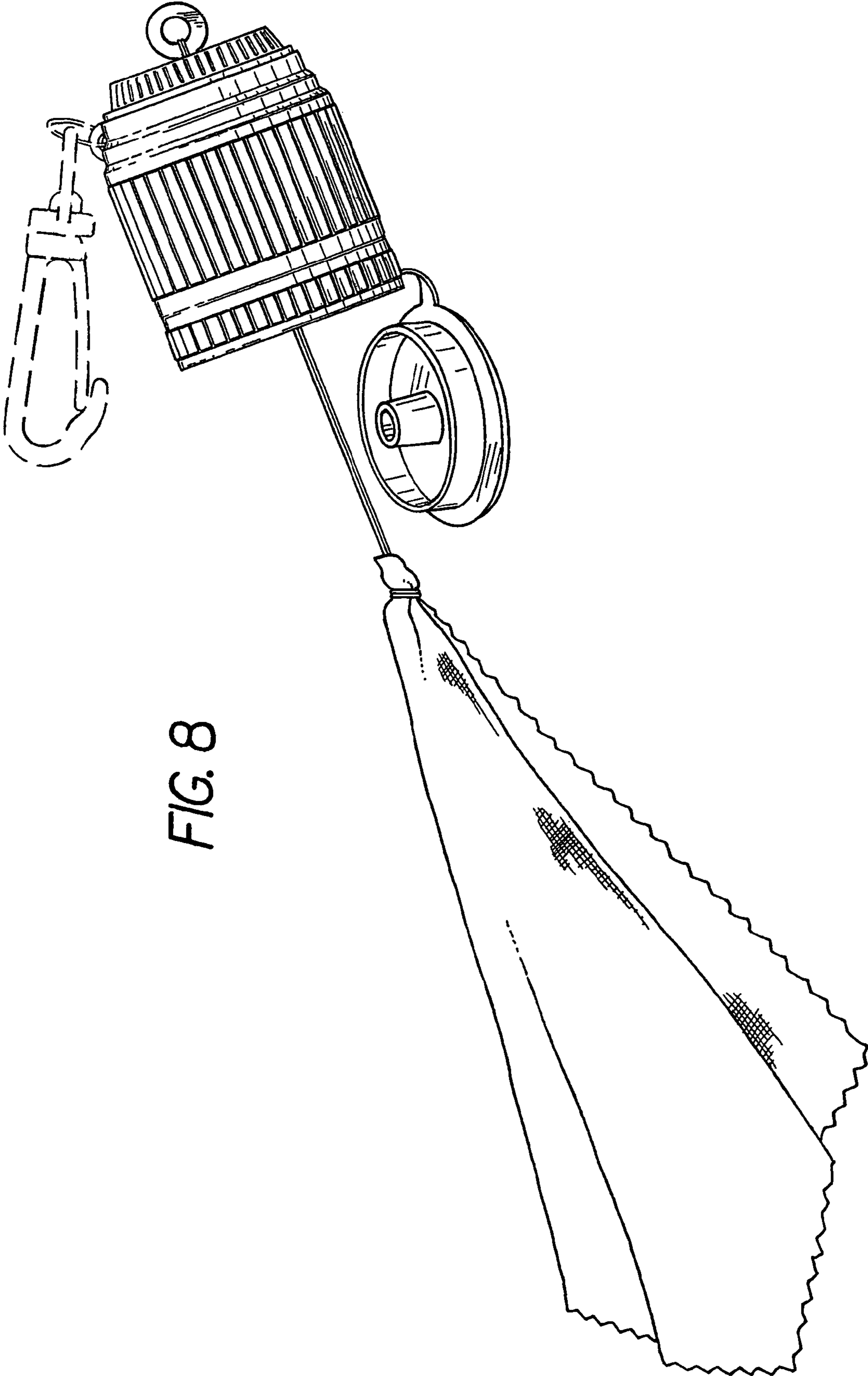


FIG. 8