

US00D609456S

(12) **United States Design Patent**
Busam

(10) **Patent No.:** **US D609,456 S**

(45) **Date of Patent:** **** *Feb. 9, 2010**

(54) **POUCH FOR PENCILS OR THE LIKE**

5,462,378 A * 10/1995 Webb 401/201
5,577,607 A 11/1996 Drake et al.

(75) Inventor: **Edward P. Busam**, Mason, OH (US)

(Continued)

(73) Assignee: **MeadWestvaco Corporation**, Glen Allen, VA (US)

OTHER PUBLICATIONS

(*) Notice: This patent is subject to a terminal disclaimer.

United States Trademark Registration No. 2359741, Registration Date Jun. 20, 2000, Misc. Design.

(Continued)

(**) Term: **14 Years**

Primary Examiner—Louis S. Zarfaz
Assistant Examiner—Kathleen Sims

(21) Appl. No.: **29/265,612**

(22) Filed: **Sep. 5, 2006**

(57) **CLAIM**

Related U.S. Application Data

The design for a pouch for pencils or the like, as shown and described.

(62) Division of application No. 29/232,156, filed on Jun. 15, 2005, now Pat. No. Des. 535,470.

DESCRIPTION

(51) **LOC (9) Cl.** **03-01**

FIG. 1 is a front perspective view of the pouch of the present invention;

(52) **U.S. Cl.** **D3/206**

FIG. 2 is a front view of the pouch.

(58) **Field of Classification Search** D3/273,
D3/206, 215, 294, 303, 315, 201, 221, 229,
D3/306; 206/349; D19/77, 81, 83, 85
See application file for complete search history.

FIG. 3 is a front perspective view of another embodiment of the pouch of the present invention;

(56) **References Cited**

FIG. 4 is a front view of the pouch of FIG. 3;

U.S. PATENT DOCUMENTS

FIG. 5 is a front perspective view of another embodiment of the pouch of the present invention; and,

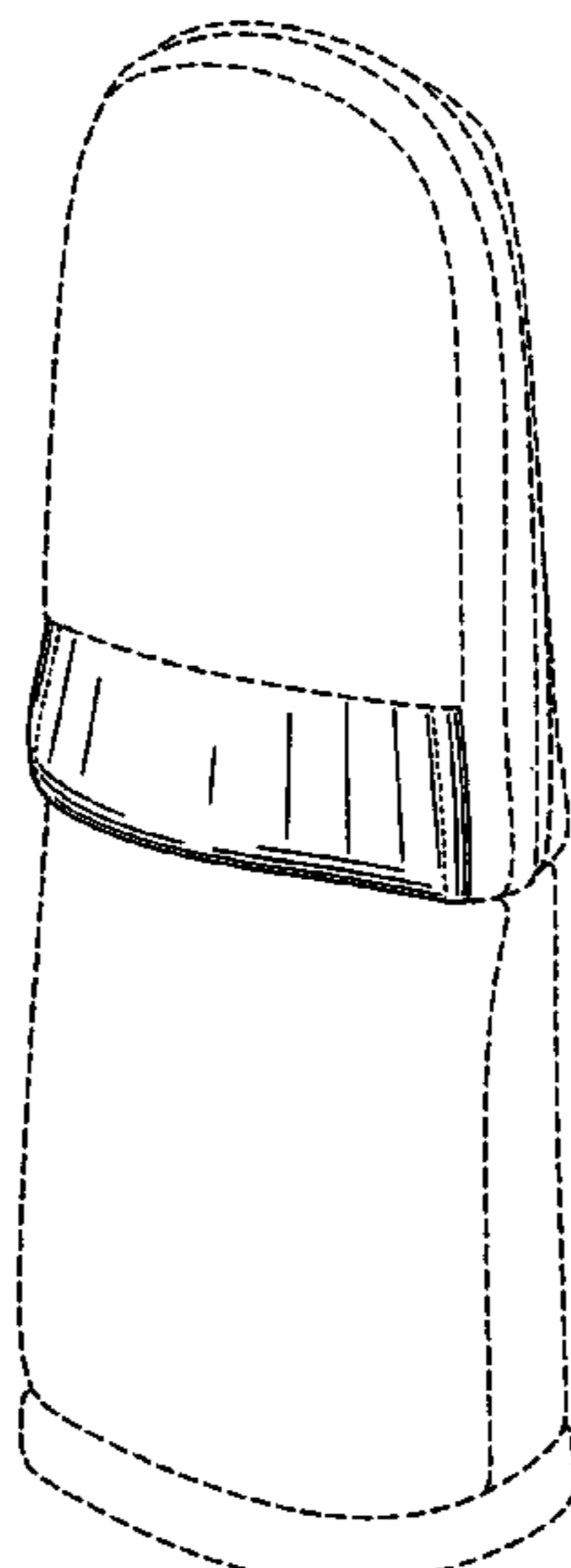
1,077,959 A	11/1913	Gregory	
1,725,864 A *	8/1929	James	43/55
D98,250 S	1/1936	Hassenfeld	
3,025,629 A *	3/1962	Sears	43/55
D270,845 S	10/1983	Hansen	
4,494,660 A	1/1985	Hansen	
4,498,190 A	2/1985	Garlick, III	
4,775,082 A *	10/1988	Krache	224/219
5,092,682 A	3/1992	Fenick	
D343,862 S	2/1994	Wyant	
D360,797 S	8/1995	Evans	

FIG. 6 is a front view of the pouch of FIG. 5.

The broken and dotted lines are for illustrative purposes only and do not constitute any part of the claimed design.

The broken line showing of the zipper, the upper side and top edges of the pouch, and the vertical broken lines seen on each edge of the horizontal band, is included for the purpose of illustrating portions of environment of the pouch for pencils or the like and forms no part of the claimed design.

1 Claim, 6 Drawing Sheets



U.S. PATENT DOCUMENTS

5,651,455	A	7/1997	Garcia	
5,722,783	A	3/1998	Kiyomi	
D409,372	S	5/1999	Wang	
D421,840	S	* 3/2000	Demore D3/273
6,092,702	A	7/2000	Cassidy, IV	
6,199,803	B1	* 3/2001	Schafer 248/99
6,371,645	B1	4/2002	Rusert et al.	
D475,198	S	6/2003	Kim	
6,786,014	B2	9/2004	Kishimoto et al.	
6,902,338	B2	* 6/2005	Puvvada et al. 401/201
2002/0021844	A1	2/2002	Rusert et al.	
2002/0050464	A1	5/2002	Moses	

OTHER PUBLICATIONS

United States Trademark Registration No. 1806023, Registration Date Nov. 23, 1993, Misc. Design.
Photographs of Kokuyo Kaddy (2) (2 pages) (date unknown).

Photographs of Kokuyo Kaddy Supply Tote from Internet (2 pages) (date unknown).
United States Trademark Registration No. 2359741, Registration Date Jun. 20, 2000, Misc. Design.
United States Trademark Registration No. 1806023, Registration Date Nov. 23, 1993, Misc. Design.
Photographs of Kokuyo Kaddy (1) (2 pages) (date unknown) Applicants admit the status of these photographs as prior art for the limited purpose of examination of this application, but otherwise reserve the right to challenge the status of these photographs as prior art.
Photographs of Kokuyo Kaddy (2) (2 pages) (date unknown) Applicants admit the status of these photographs as prior art for the limited purpose of examination of this application, but otherwise reserve the right to challenge the status of these photographs as prior art.
Photographs of Kokuyo Kaddy Supply Tote from Internet (2 pages) (date unknown) Applicants admit the status of these photographs as prior art for the limited purpose of examination of this application, but otherwise reserve the right to challenge the status of these photographs as prior art.

* cited by examiner

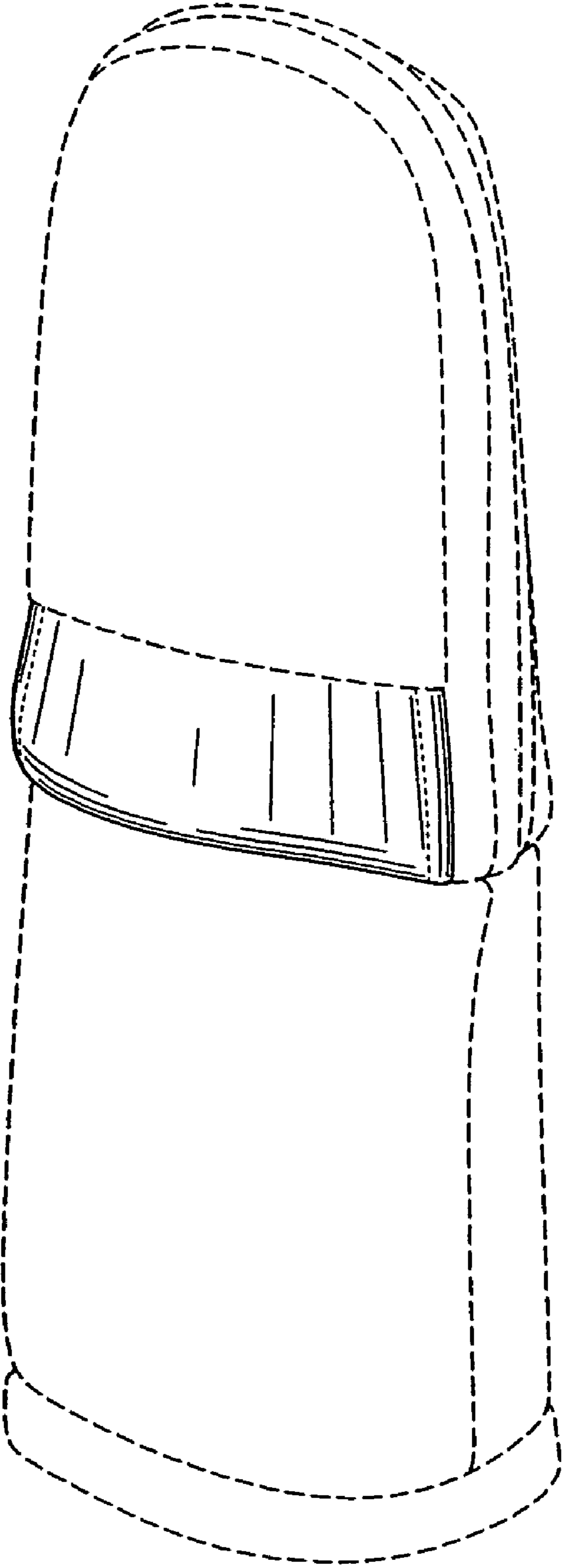


FIG. 1

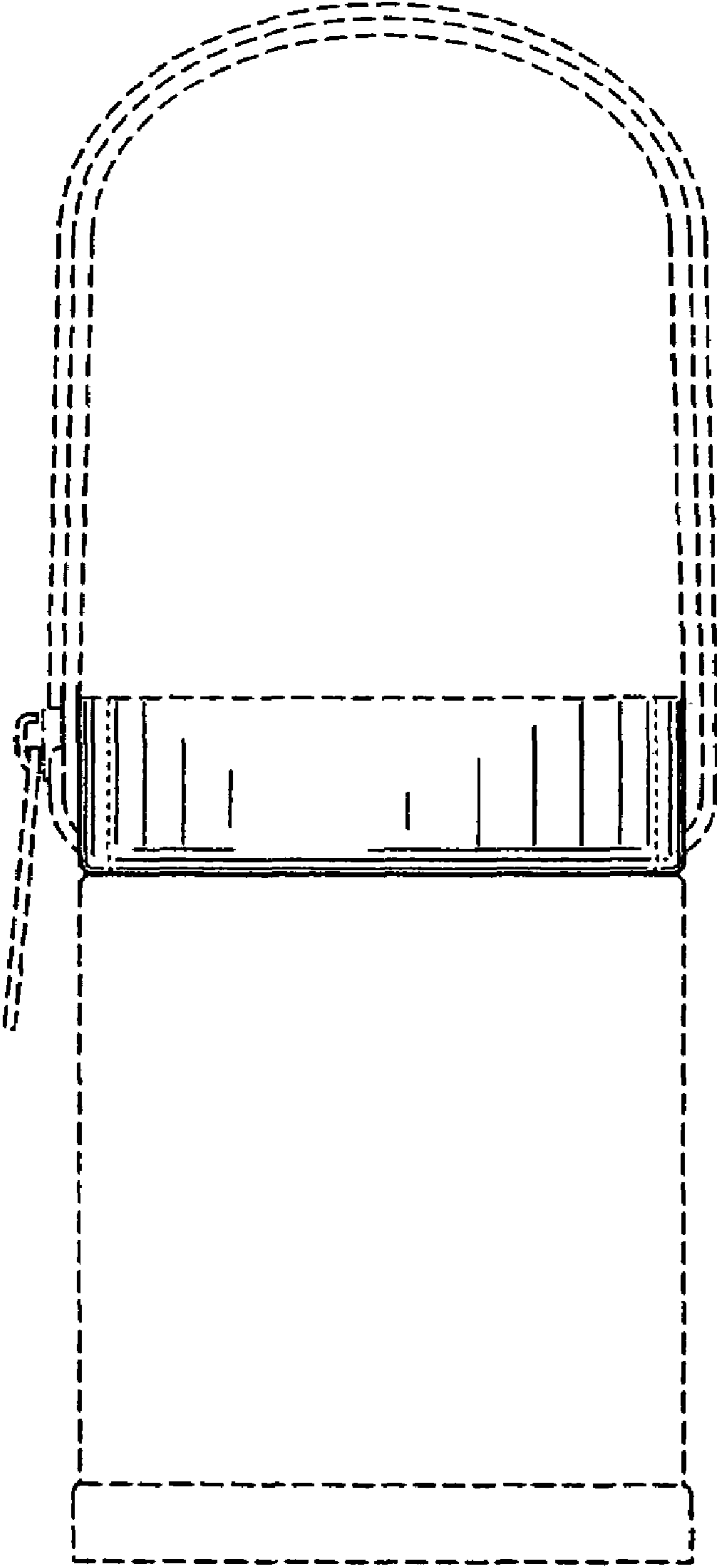


FIG. 2

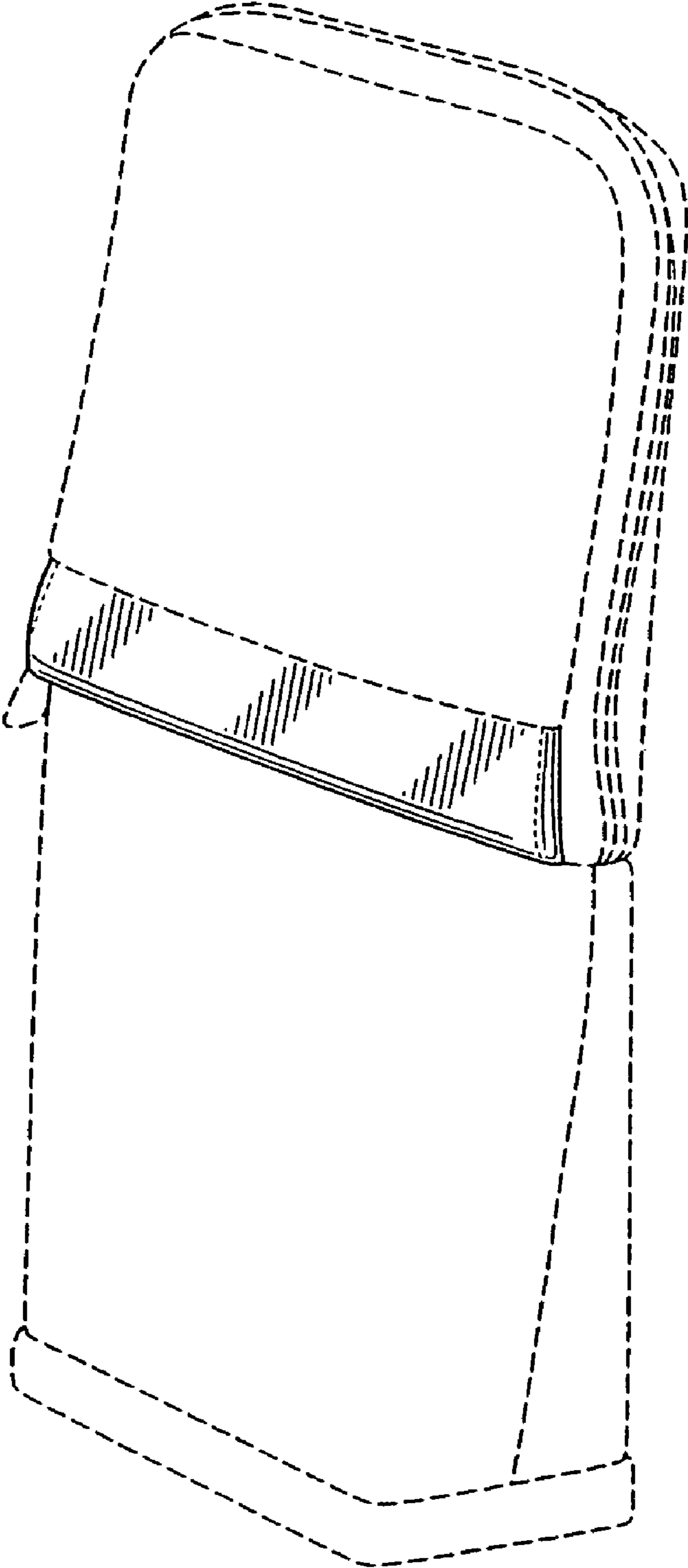


FIG. 3

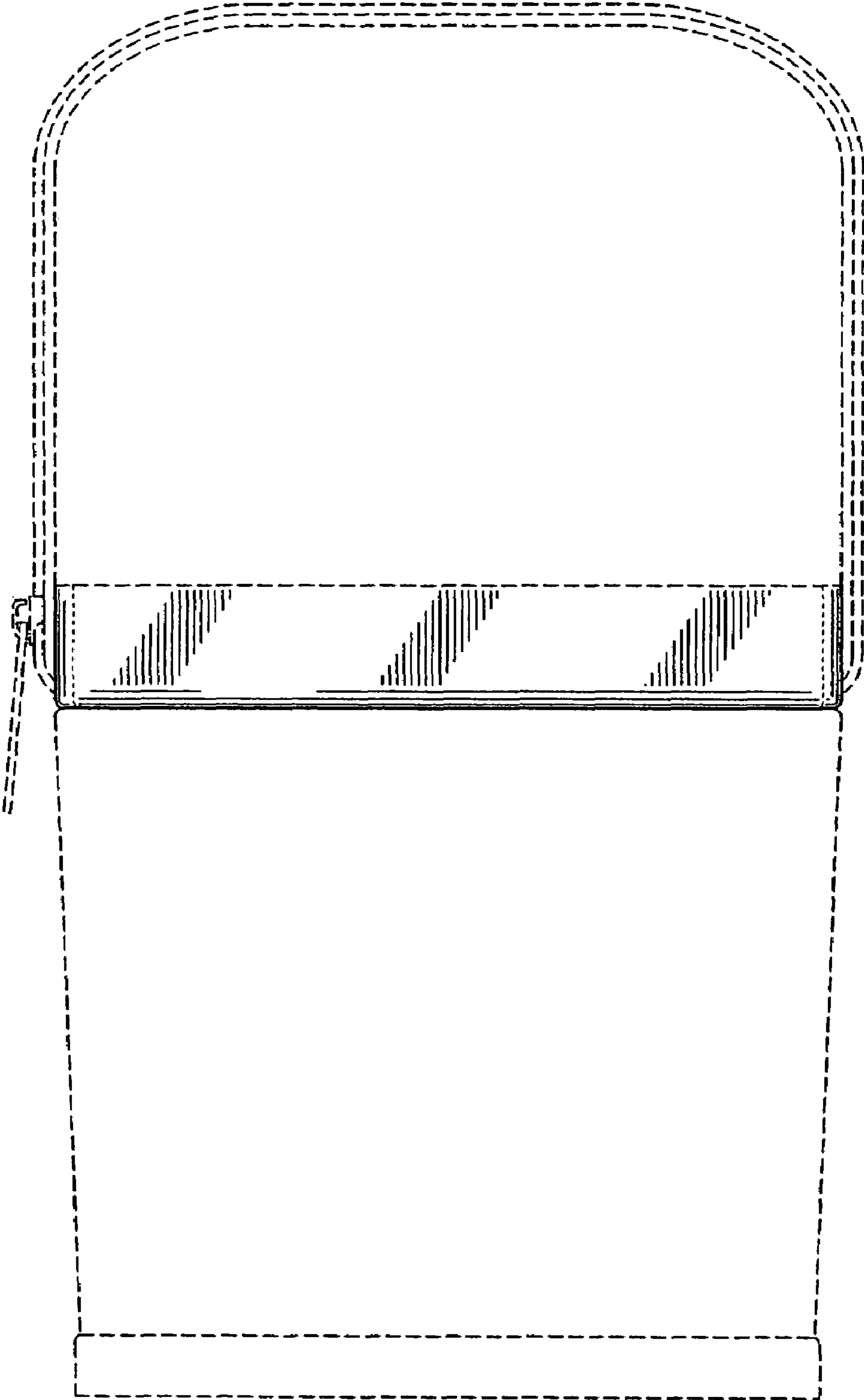


FIG. 4

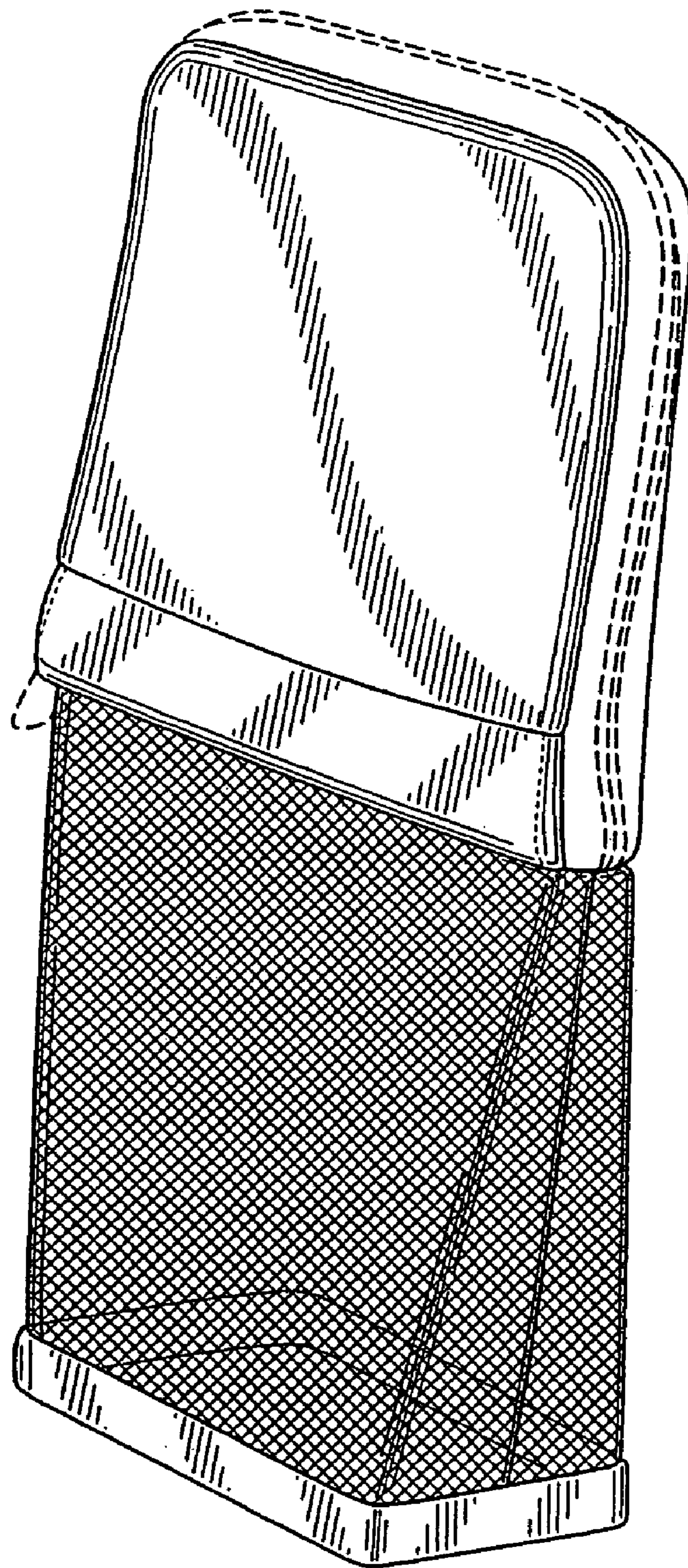


FIG. 5

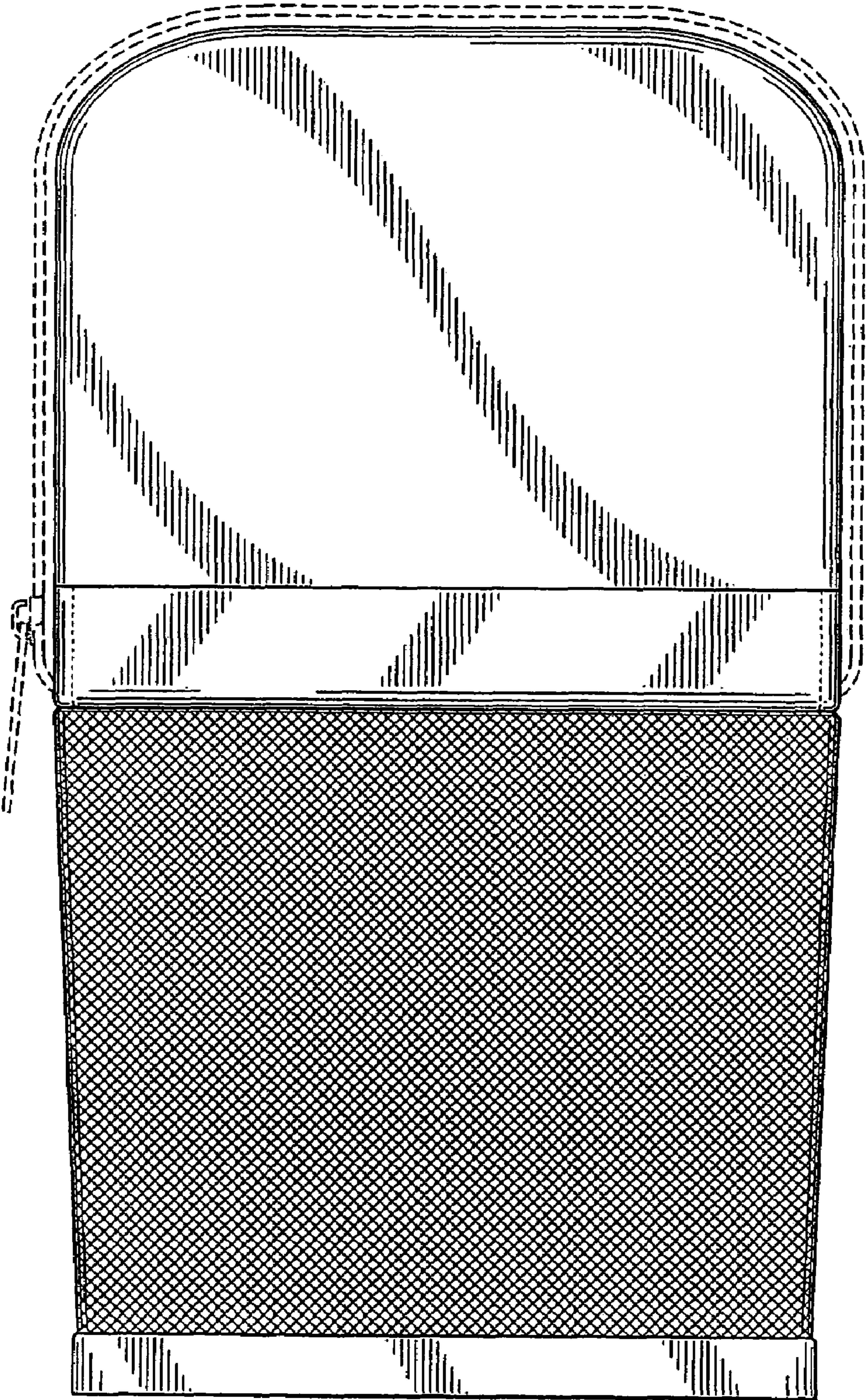


FIG. 6