



US00D609455S

(12) **United States Design Patent**
Coppiardi

(10) **Patent No.:** **US D609,455 S**

(45) **Date of Patent:** **** Feb. 9, 2010**

(54) **STORAGE CASE FOR A VIOLIN**

(75) Inventor: **Marco Coppiardi**, Boston, MA (US)

(73) Assignee: **Coppiardi Cases, Inc.**, Boston, MA (US)

(**) Term: **14 Years**

(21) Appl. No.: **29/308,168**

(22) Filed: **Jun. 2, 2008**

(51) **LOC (9) Cl.** **03-01**

(52) **U.S. Cl.** **D3/204**

(58) **Field of Classification Search** D3/201,
D3/204, 262, 269, 290, 294; 206/14, 314;
224/910; 29/416; D7/628; 190/111

See application file for complete search history.

(56) **References Cited**

U.S. PATENT DOCUMENTS

D228,494	S	*	10/1973	Van Skiver	D3/262
3,901,384	A	*	8/1975	Lee et al.	206/314
D247,993	S	*	5/1978	Calzone, III	D3/204
D249,584	S	*	9/1978	Atkinson	D3/204
4,474,290	A	*	10/1984	DeMato	206/314
4,531,632	A	*	7/1985	Weber	206/14
D336,984	S	*	7/1993	VanSkiver	D3/262
5,441,134	A	*	8/1995	Carson	190/111
D375,660	S	*	11/1996	Parris	D7/628
D384,807	S	*	10/1997	Dougherty	D3/204
5,833,051	A	*	11/1998	Tiefenbrun et al.	206/14

6,029,804	A	*	2/2000	Flynn	206/14
6,866,146	B2	*	3/2005	Heesch	206/314
D520,736	S	*	5/2006	Messner	D3/204
D532,971	S	*	12/2006	Sides et al.	D3/262
7,290,653	B2	*	11/2007	Izen et al.	206/314
D570,097	S	*	6/2008	Chen	D3/204
2004/0154940	A1	*	8/2004	Minakuchi	206/314

* cited by examiner

Primary Examiner—Celia A Murphy

(74) *Attorney, Agent, or Firm*—Lambert & Associates; Adam J. Bruno; Gary E. Lambert

(57) **CLAIM**

The ornamental design for an storage case for a violin, as shown and described.

DESCRIPTION

FIG. 1 is a front elevational view of a storage case for a violin showing my new design in an open position;

FIG. 2 is a top plan view thereof;

FIG. 3 is a left side view of thereof;

FIG. 4 is a rear view thereof;

FIG. 5 is a bottom plan view thereof;

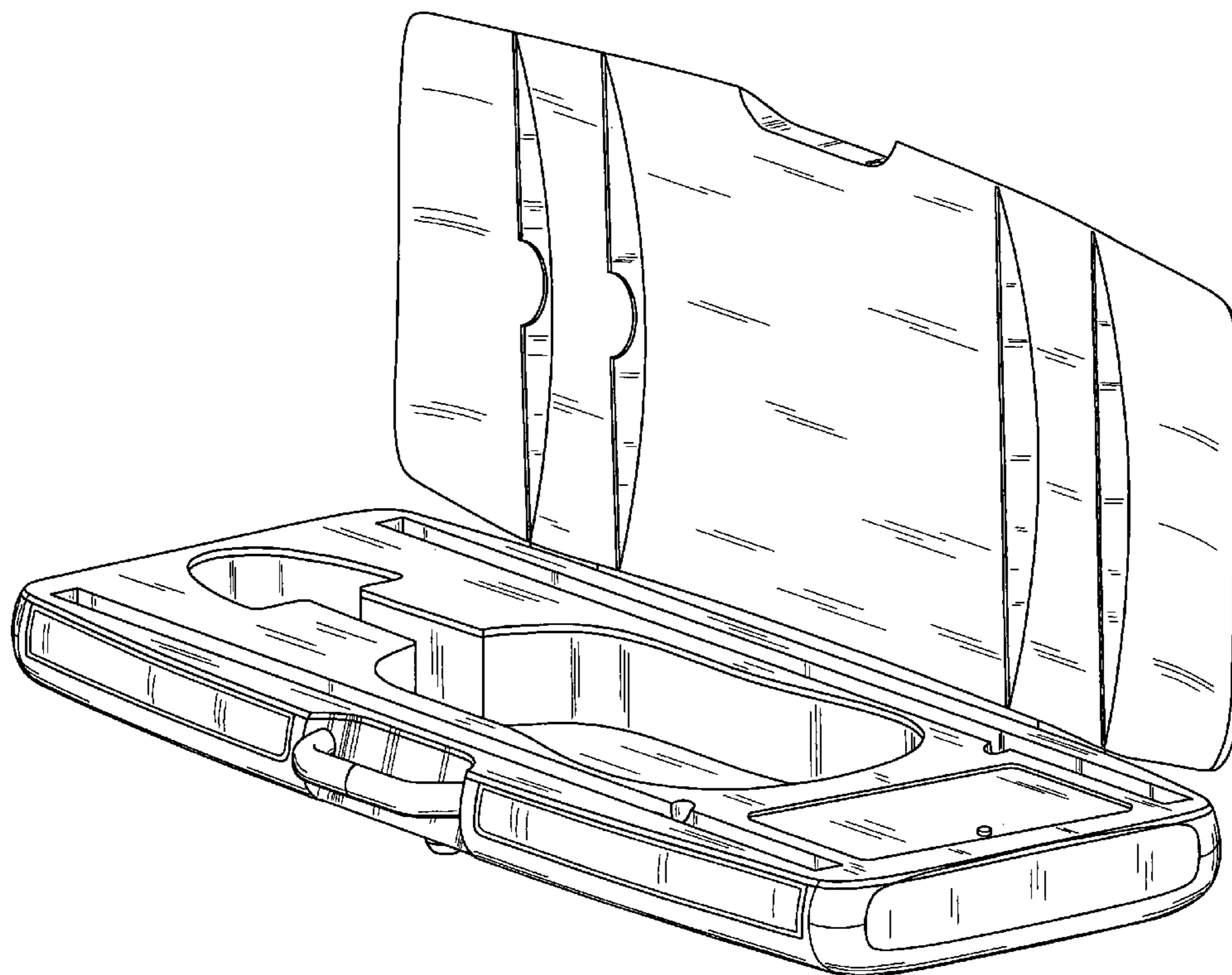
FIG. 6 is an isometric view thereof;

FIG. 7 is an isometric side view thereof;

FIG. 8 is a top perspective view thereof; and,

FIG. 9 is a rear isometric view thereof.

1 Claim, 9 Drawing Sheets



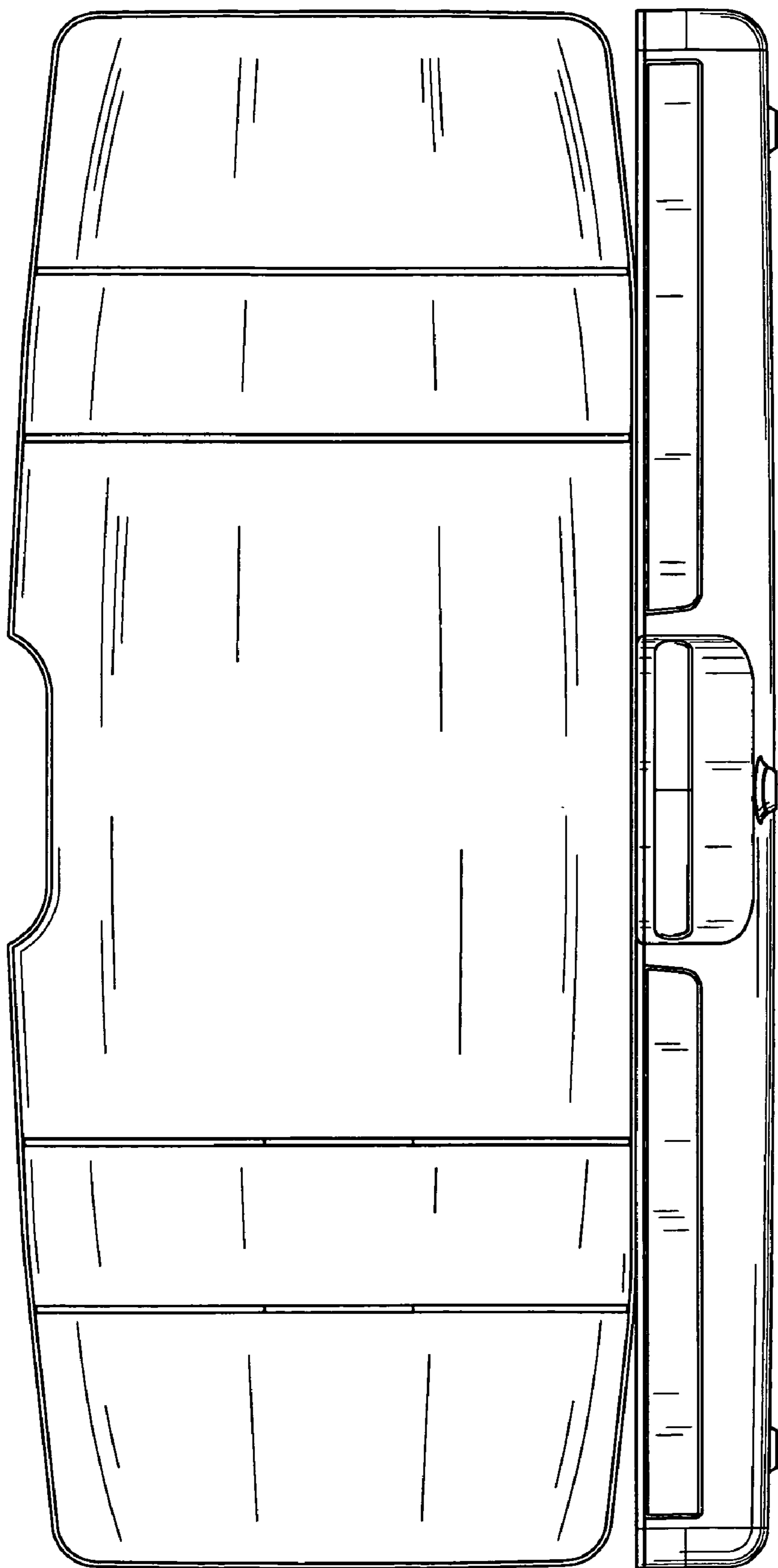


Figure 1

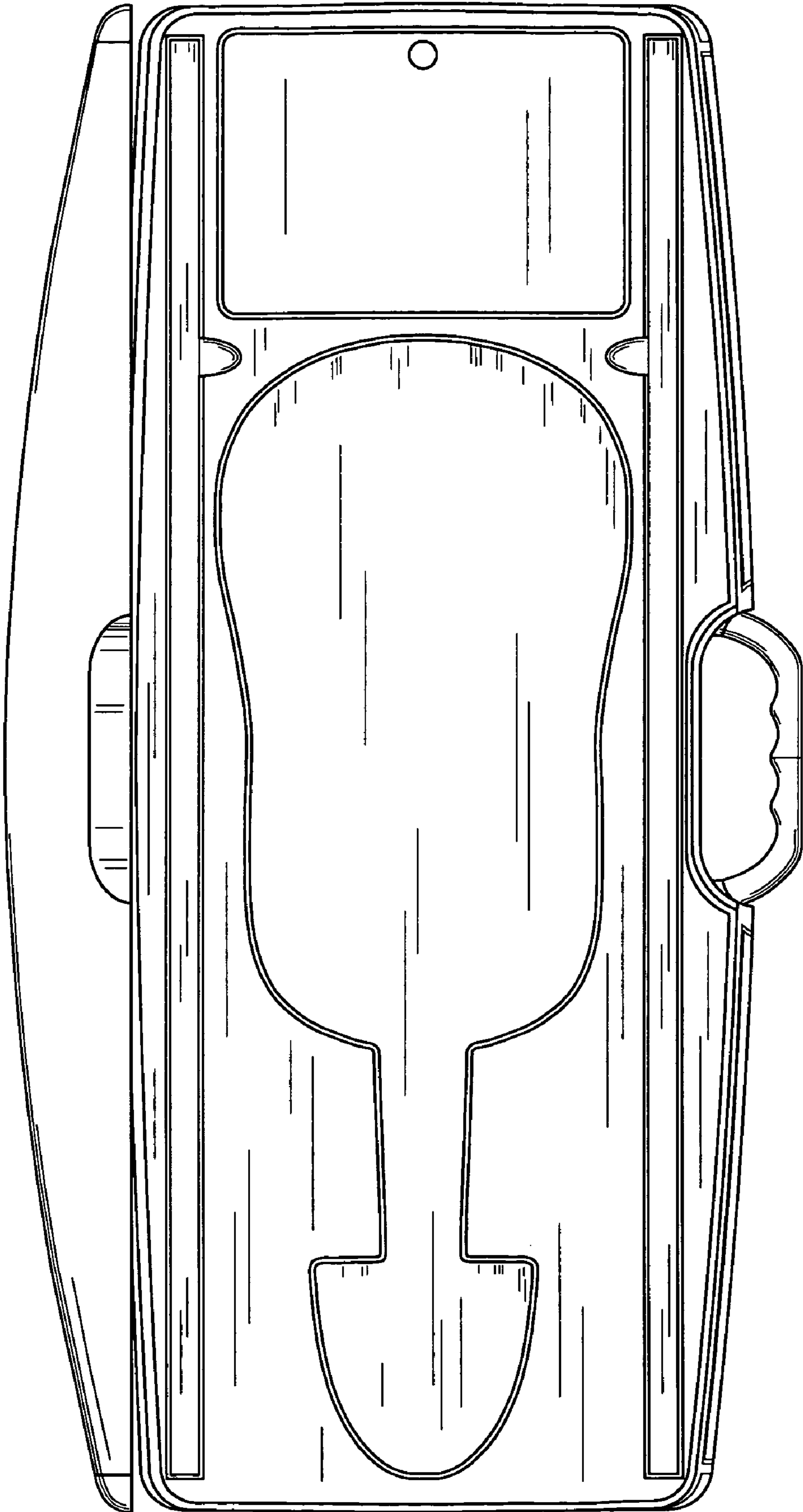


Figure 2

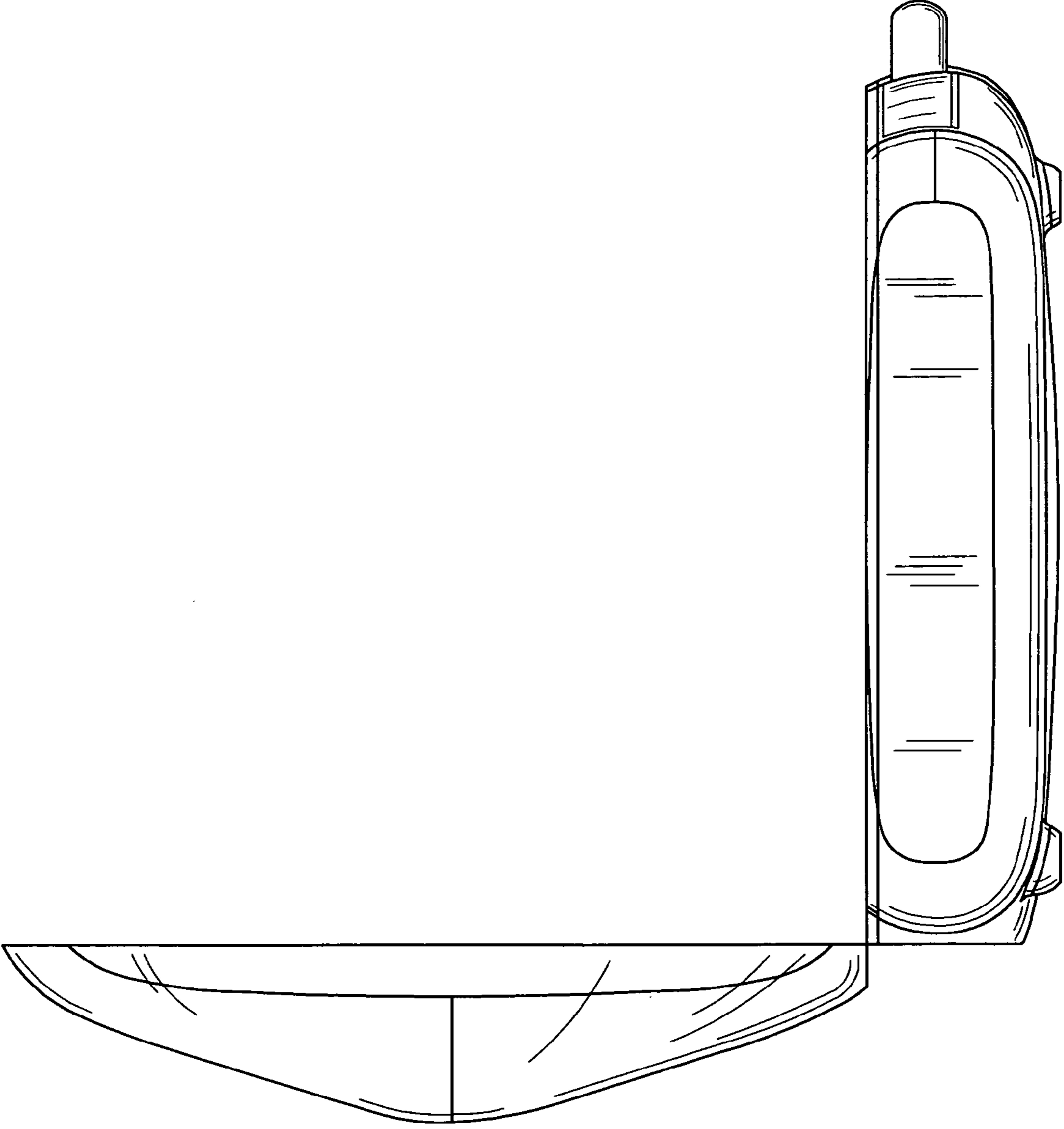


Figure 3

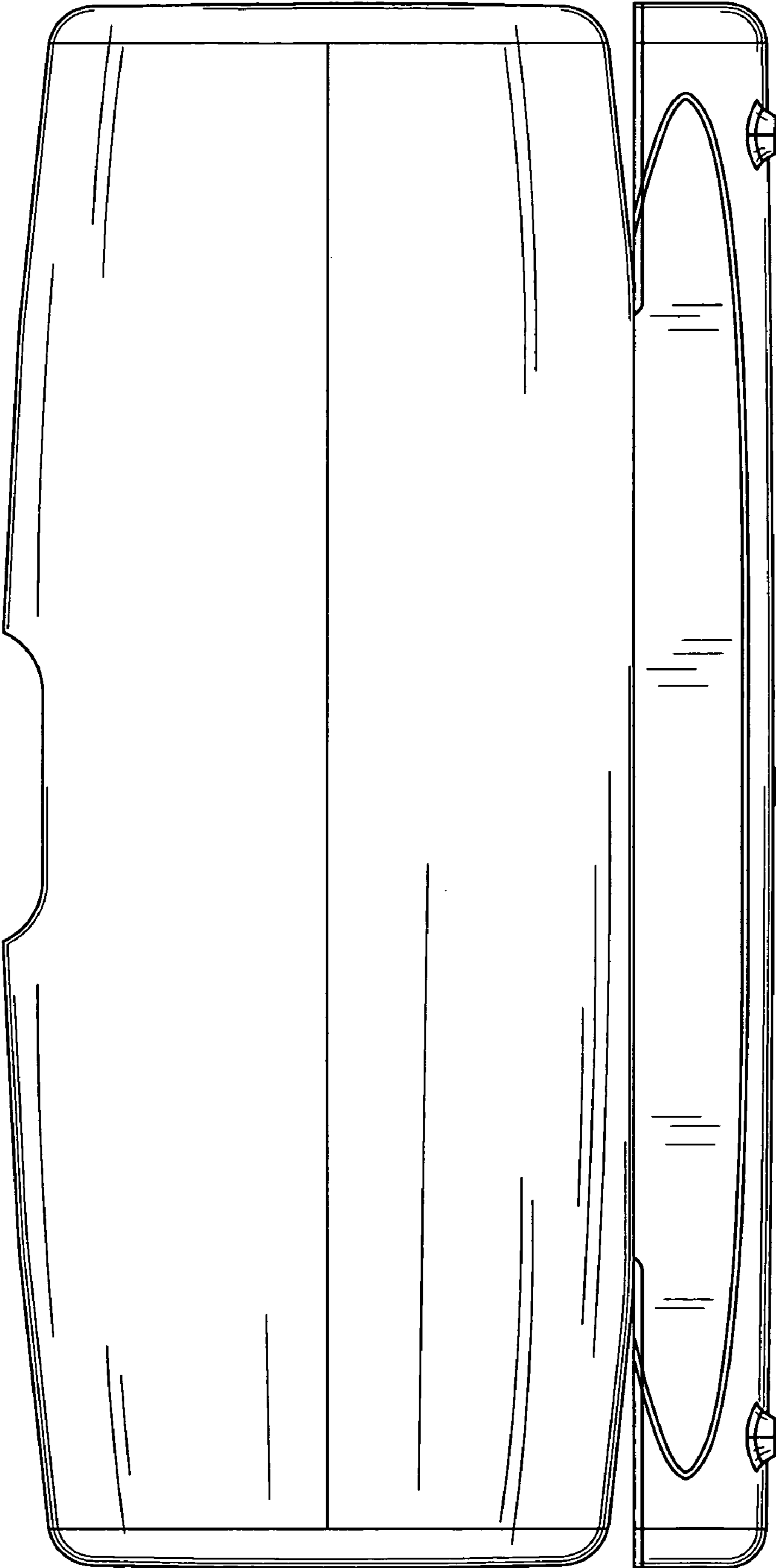


Figure 4

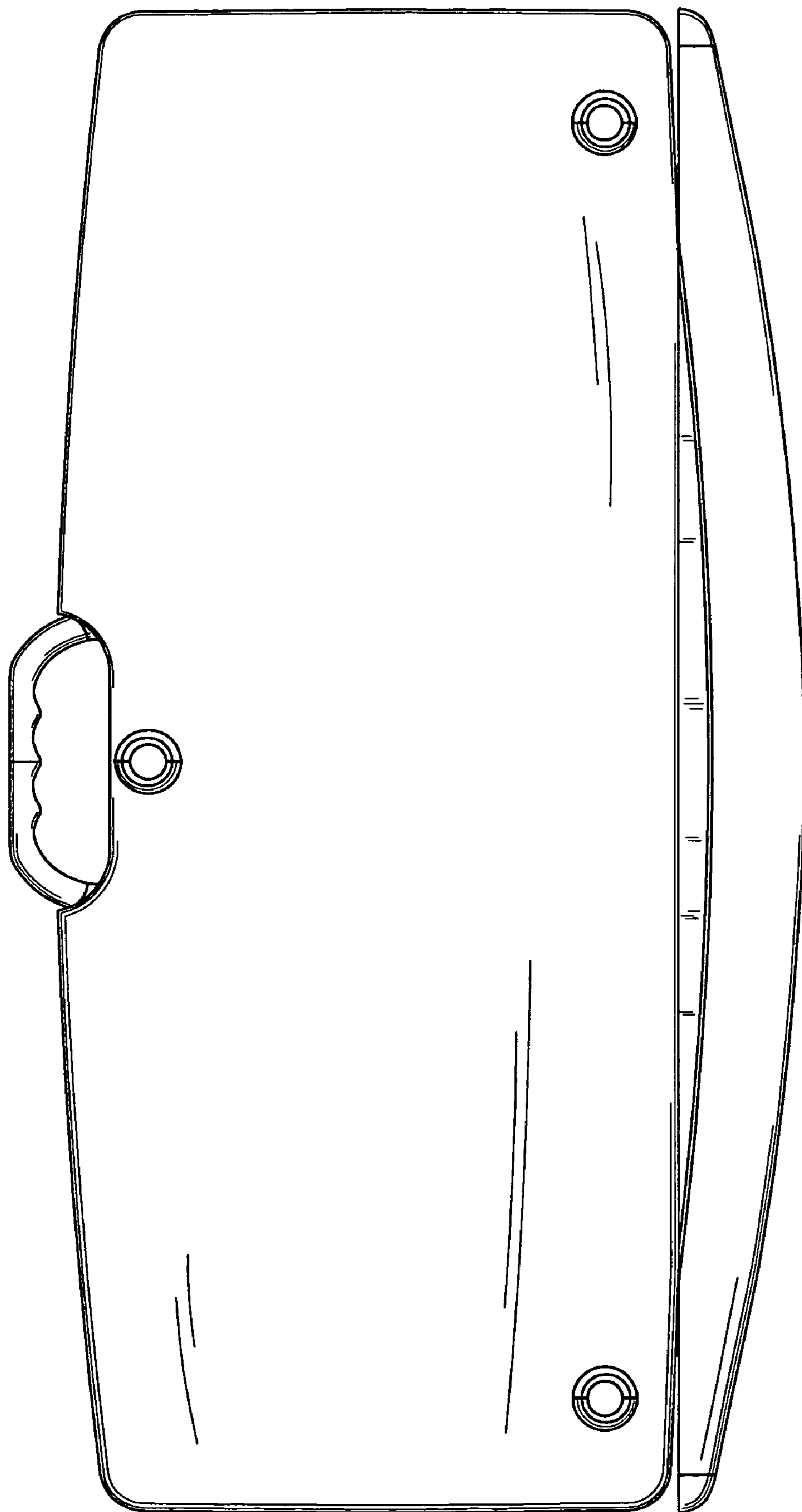


Figure 5

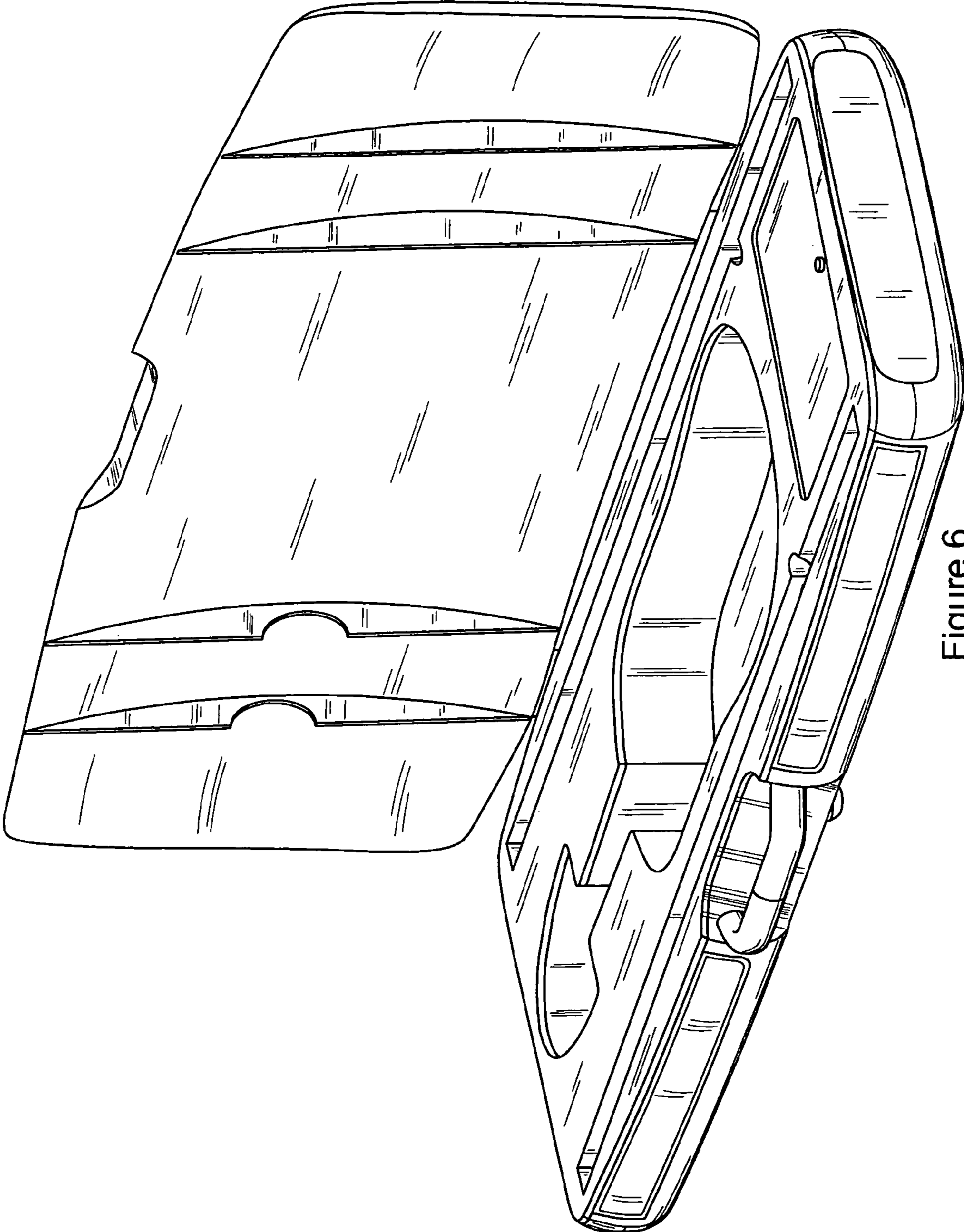


Figure 6

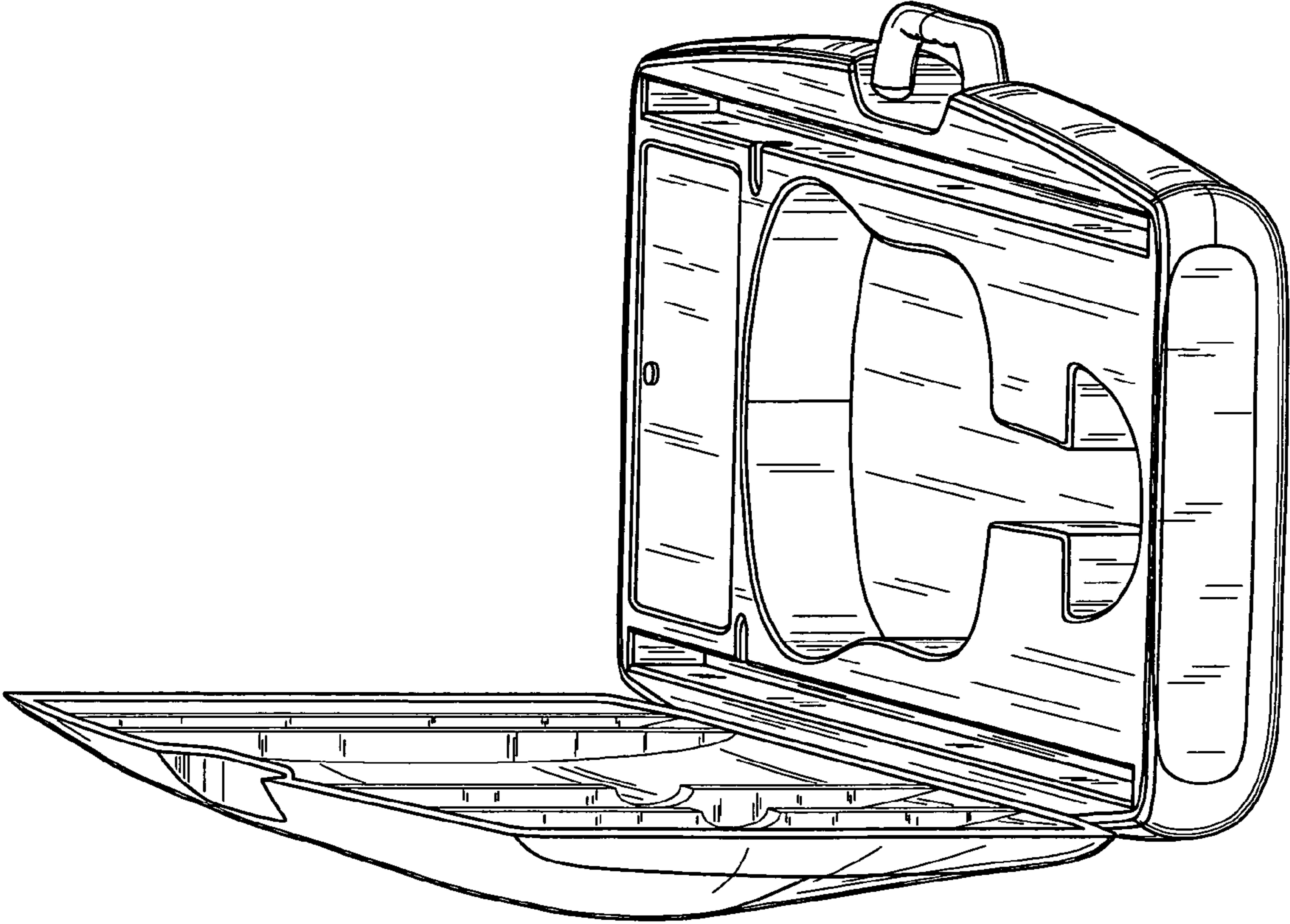


Figure 7

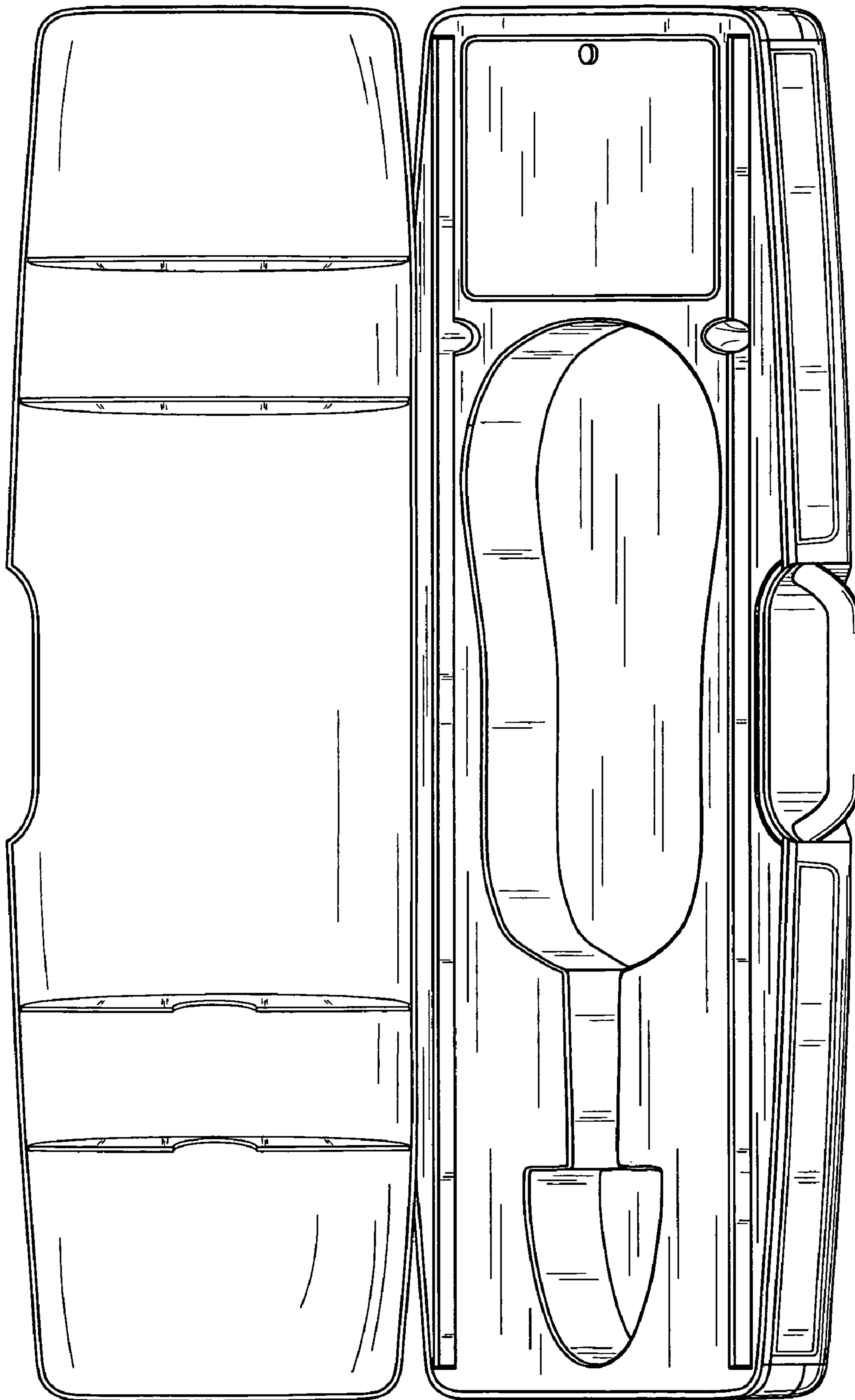


Figure 8

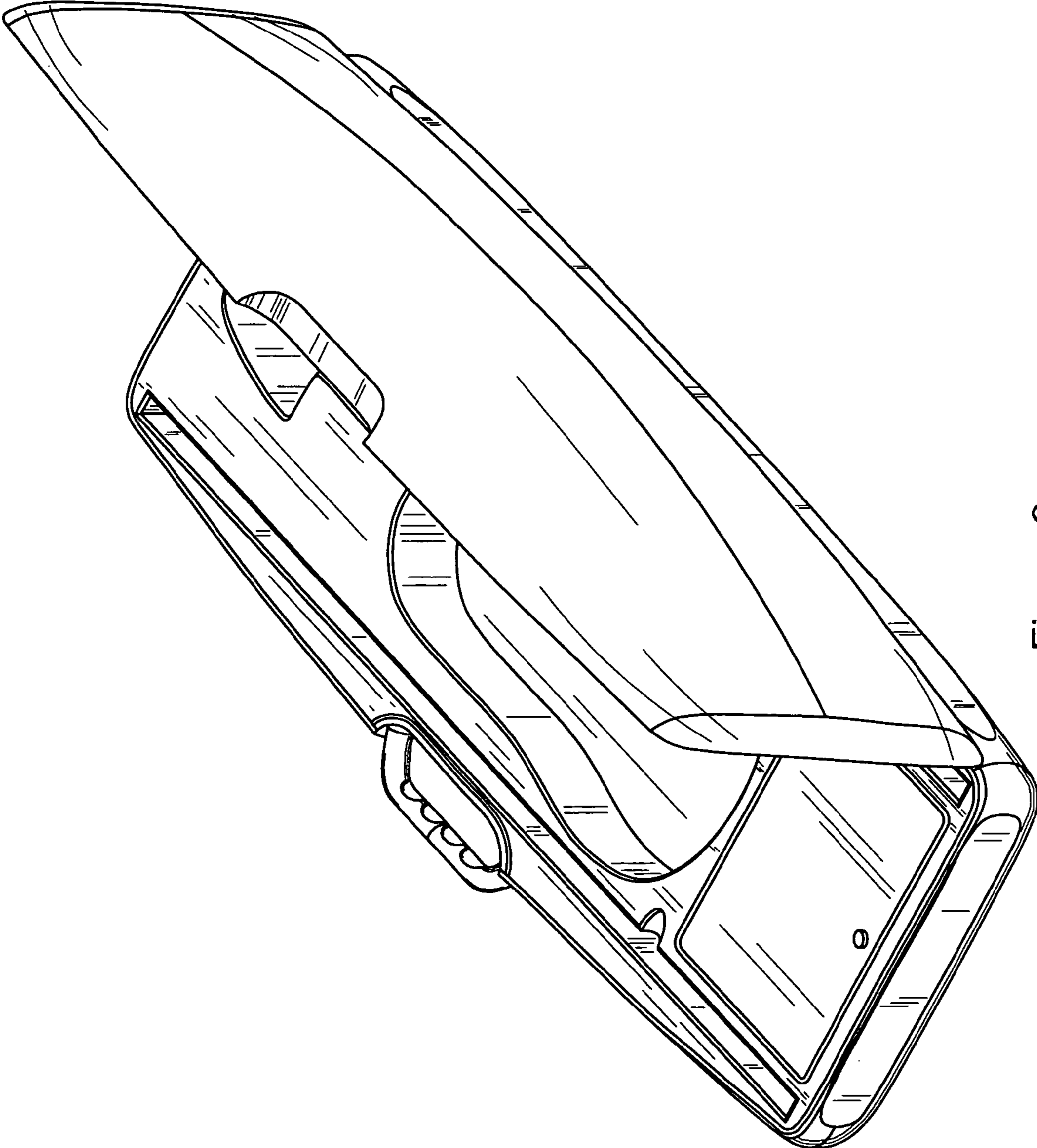


Figure 9