



US00D609454S

(12) **United States Design Patent**
Porter-Young

(10) **Patent No.:** **US D609,454 S**

(45) **Date of Patent:** **** Feb. 9, 2010**

(54) **POUCH**

(76) Inventor: **Monaqui Porter-Young**, 36 W. 20th St.,
New York, NY (US) 10011

(**) Term: **14 Years**

(21) Appl. No.: **29/312,834**

(22) Filed: **Nov. 14, 2008**

(51) **LOC (9) Cl.** **03-01**

(52) **U.S. Cl.** **D3/202**

(58) **Field of Classification Search** D3/202,
D3/221, 227, 229, 257, 303, 315, 904; D7/624.3;
220/740, 903; 224/148.6, 250

See application file for complete search history.

(56) **References Cited**

U.S. PATENT DOCUMENTS

| | | | | | |
|-----------|-----|---------|------------------|-------|-----------|
| 1,208,728 | A * | 12/1916 | Bartlett et al. | | 224/148.6 |
| D59,662 | S * | 11/1921 | Lauzon | | D3/229 |
| 2,464,069 | A * | 3/1949 | Benson | | 206/466 |
| D190,919 | S * | 7/1961 | Kolarik | | D3/221 |
| D216,425 | S * | 1/1970 | Foster | | D22/107 |
| D227,043 | S * | 5/1973 | Van Den Berg | | D3/229 |
| 3,820,695 | A * | 6/1974 | Pecjak | | 224/148.6 |
| D281,830 | S * | 12/1985 | Hengesbach | | D3/229 |
| D314,888 | S * | 2/1991 | Mano et al. | | D7/608 |
| 5,005,717 | A * | 4/1991 | Oilar | | 215/13.1 |
| D321,032 | S * | 10/1991 | Marthaler et al. | | D3/257 |
| D331,629 | S * | 12/1992 | Stewart | | D24/199 |
| D333,071 | S * | 2/1993 | Lim | | D7/620 |
| D335,957 | S * | 6/1993 | Cantrell et al. | | D3/303 |
| D340,583 | S * | 10/1993 | Kahn | | D3/202 |
| D347,365 | S * | 5/1994 | McKay | | D3/202 |
| D347,522 | S * | 6/1994 | Beltran | | D3/229 |
| D349,190 | S * | 8/1994 | Wasserman | | D3/229 |
| D350,024 | S * | 8/1994 | Ryker | | D3/202 |
| 5,407,110 | A * | 4/1995 | Marsh, Jr. | | 224/148.6 |
| D373,677 | S * | 9/1996 | Kelly | | D3/229 |

| | | | | | |
|--------------|------|---------|---------------|-------|-----------|
| D373,678 | S * | 9/1996 | Haigis | | D3/229 |
| D378,022 | S * | 2/1997 | Chen | | D3/229 |
| D379,119 | S * | 5/1997 | Wolfe et al. | | D3/229 |
| D393,364 | S * | 4/1998 | John | | D3/221 |
| 5,772,090 | A * | 6/1998 | Rodriguez | | 224/251 |
| 6,401,993 | B1 * | 6/2002 | Andrino | | 224/148.5 |
| D474,887 | S * | 5/2003 | Forster | | D3/229 |
| D517,314 | S * | 3/2006 | Moyer | | D3/229 |
| D540,030 | S * | 4/2007 | Schnackenberg | | D3/202 |
| D549,444 | S * | 8/2007 | Schnackenberg | | D3/202 |
| D551,447 | S * | 9/2007 | Ogawa | | D3/257 |
| D581,658 | S * | 12/2008 | Leslie | | D3/229 |
| D585,637 | S * | 2/2009 | Schnackenberg | | D3/202 |
| 2005/0173478 | A1 * | 8/2005 | Gill et al. | | 224/148.6 |
| 2006/0037982 | A1 * | 2/2006 | Lesser | | 224/148.4 |

* cited by examiner

Primary Examiner—Philip S Hyder
Assistant Examiner—Roselynn Cody

(57) **CLAIM**

The ornamental design for a pouch, as shown and described.

DESCRIPTION

FIG. 1 is a perspective view of an embodiment of the pouch, showing a new design;

FIG. 2 is a front view thereof;

FIG. 3 is a back view thereof;

FIG. 4 is right side view thereof;

FIG. 5 is a left side view thereof;

FIG. 6 is a top view thereof; and,

FIG. 7 is a top view thereof.

The broken lines in the figures illustrate environment and form no part of the claimed design. The break indicates that the strap is of no particular length.

1 Claim, 6 Drawing Sheets

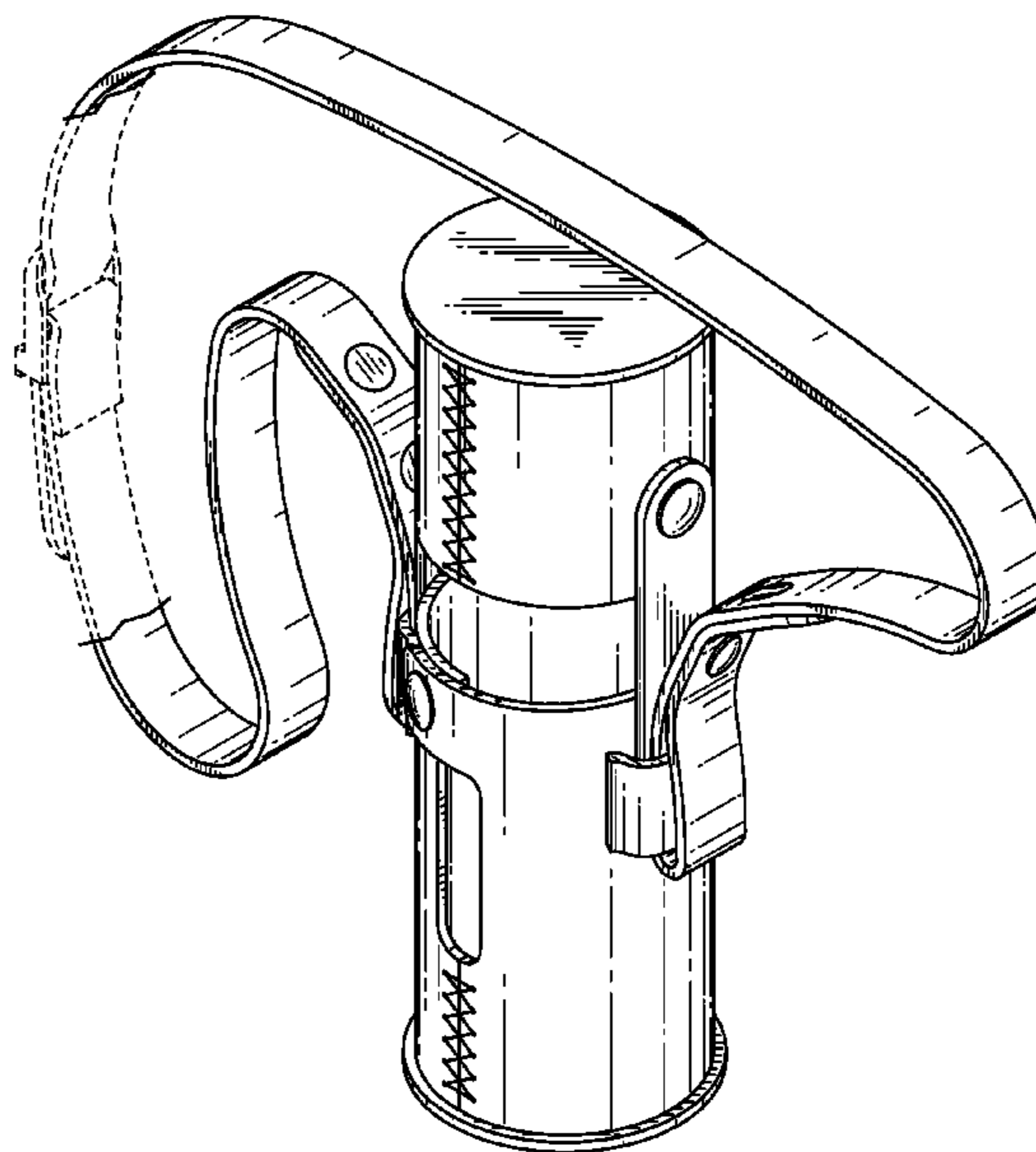
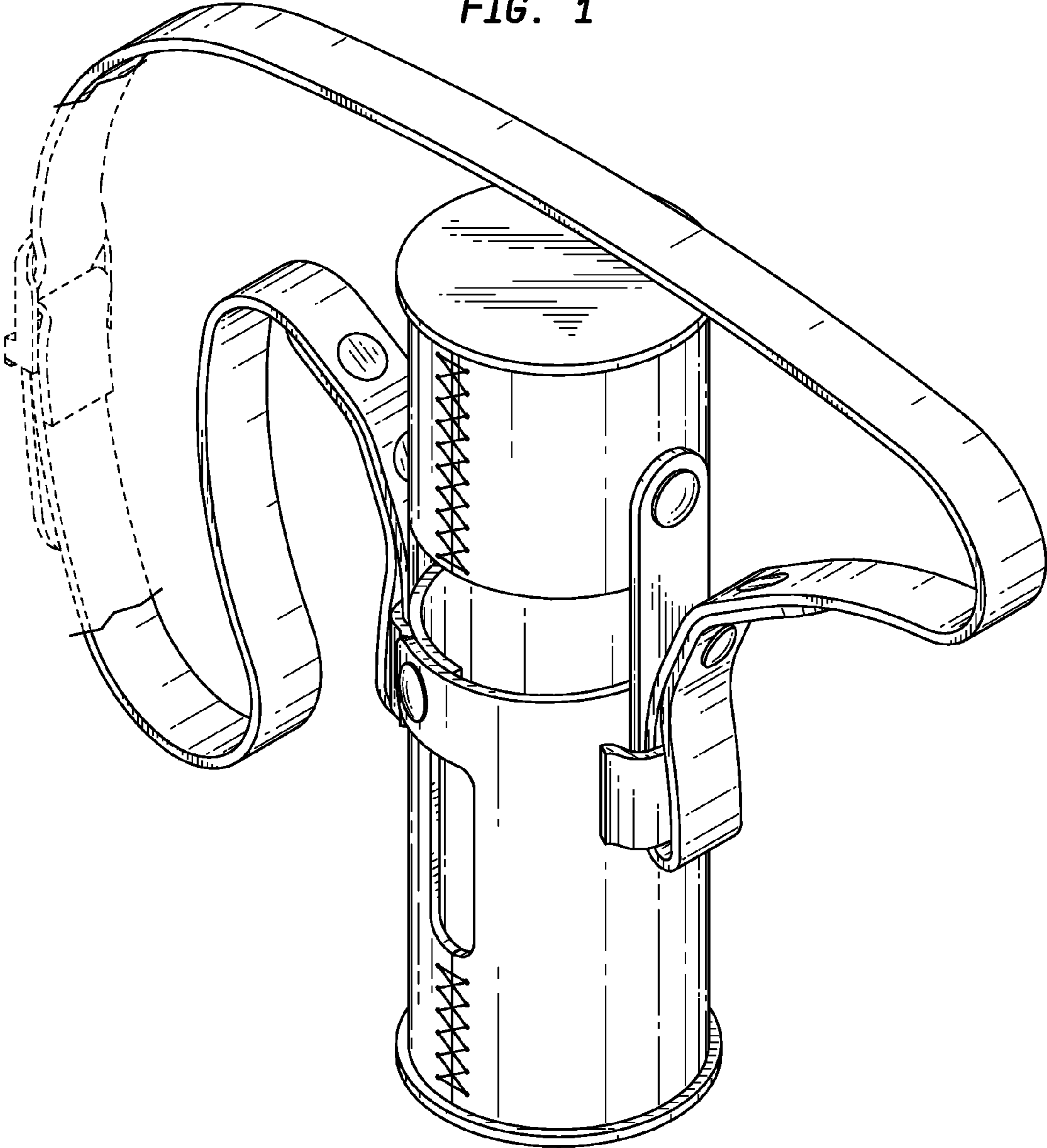


FIG. 1



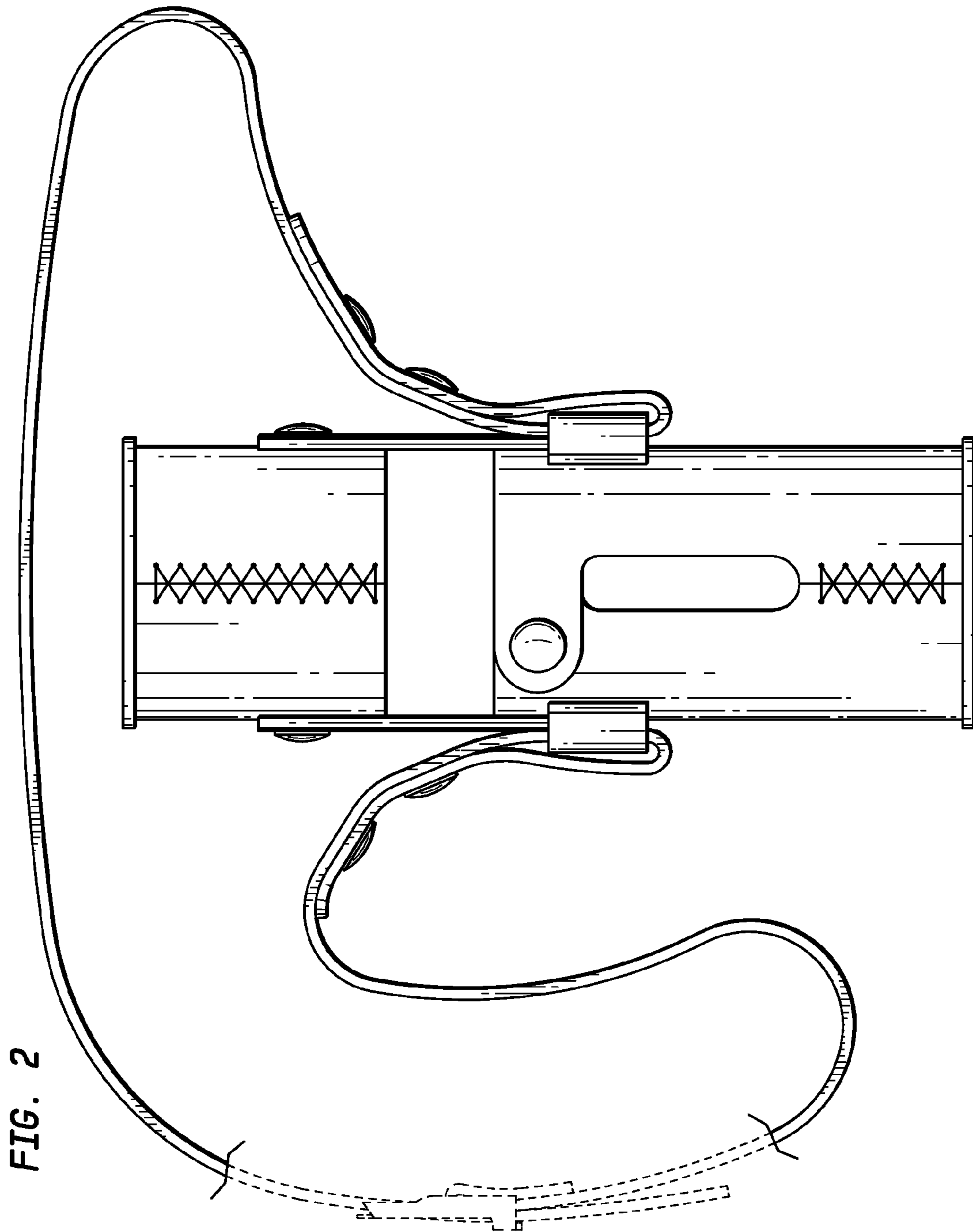


FIG. 3

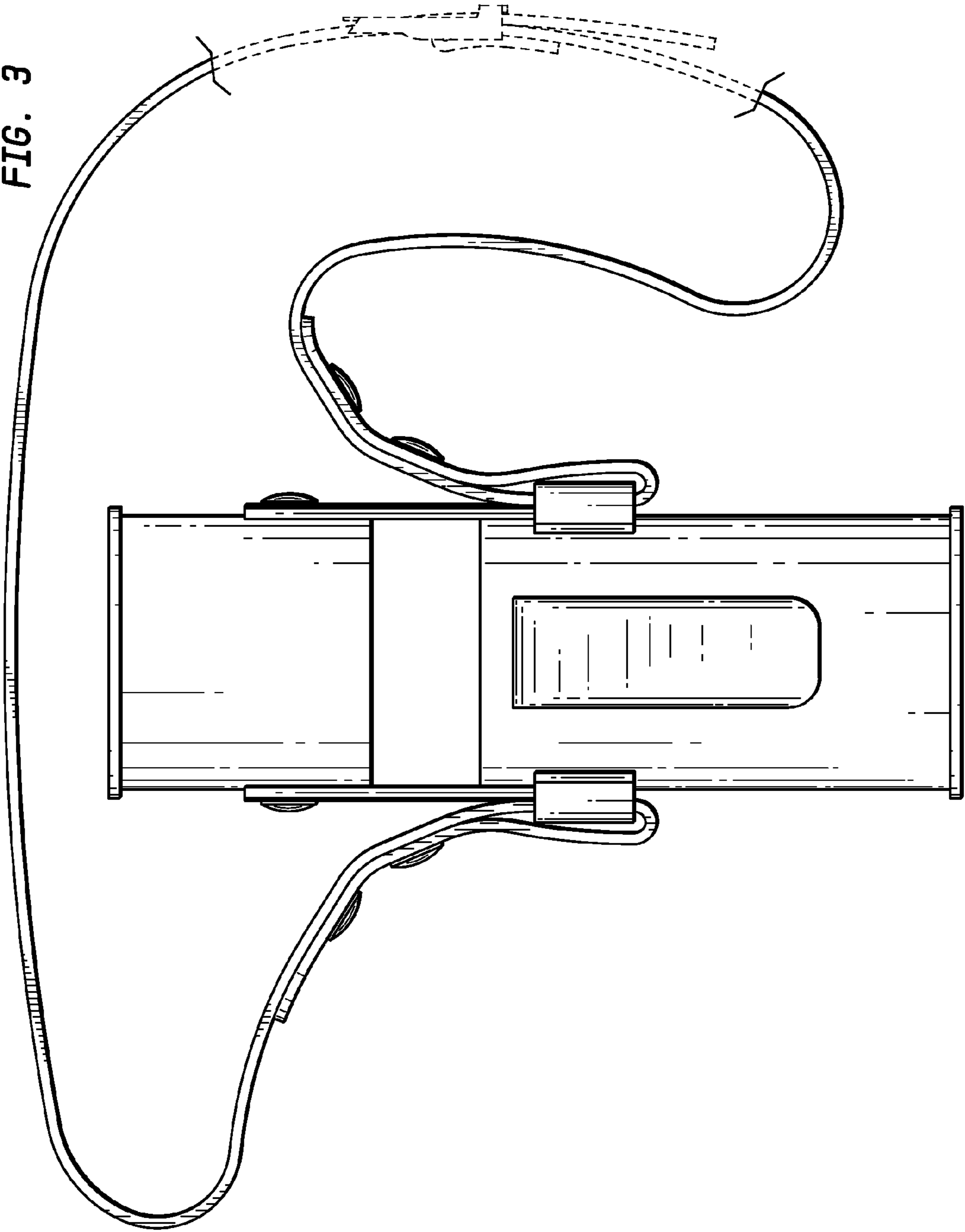


FIG. 4

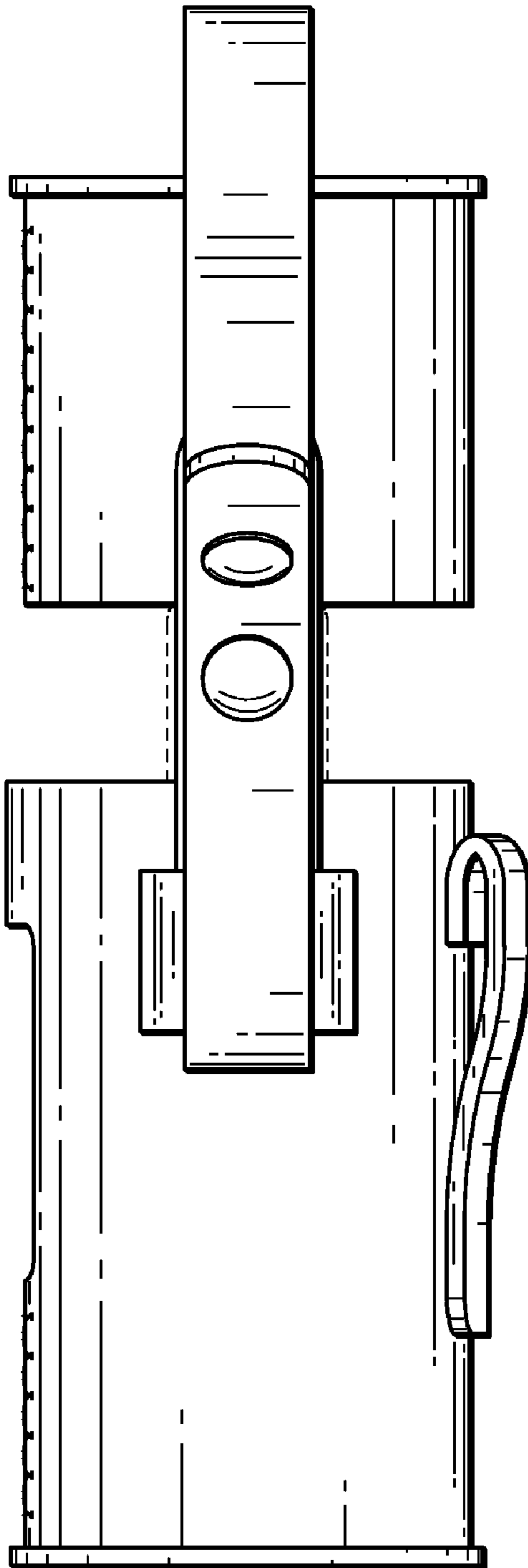


FIG. 5

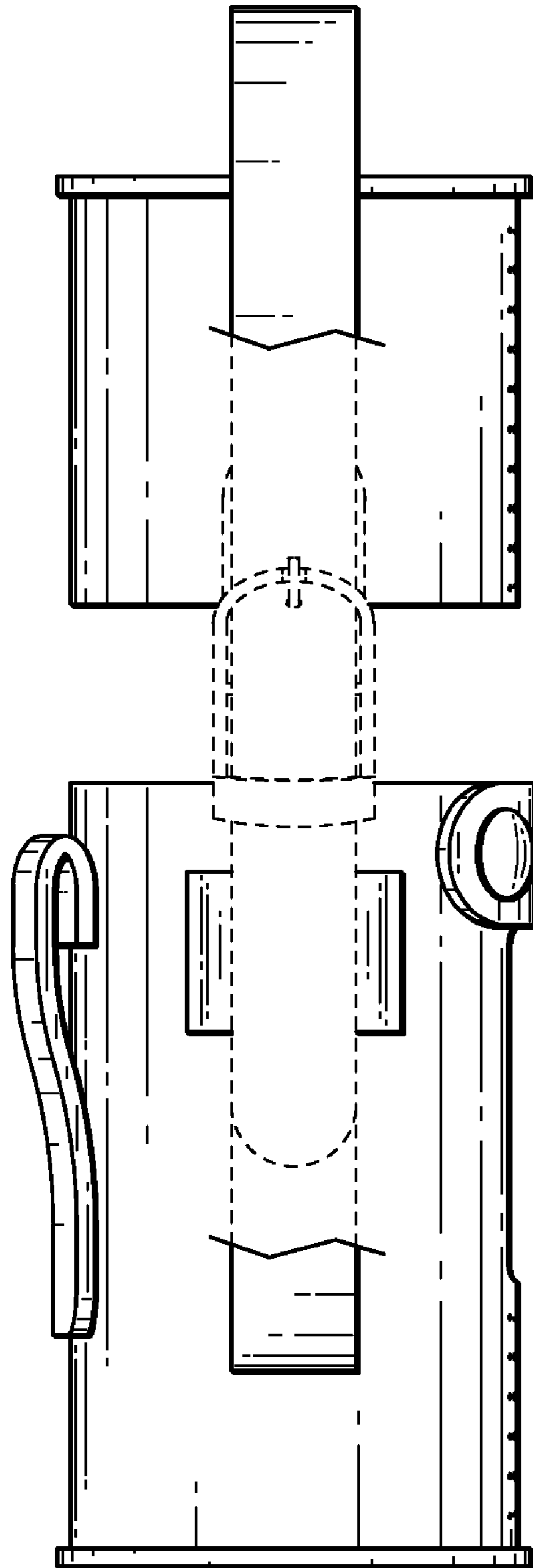


FIG. 6

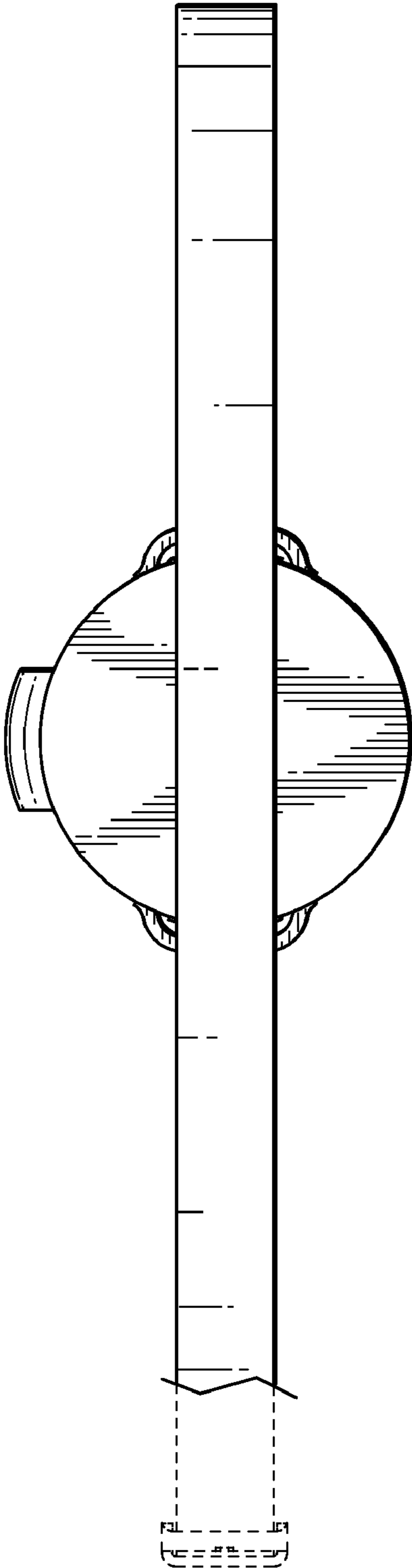


FIG. 7

