



US00D609453S

(12) **United States Design Patent**
Liu

(10) **Patent No.:** **US D609,453 S**
(45) **Date of Patent:** **** Feb. 9, 2010**

(54) **PATIO UMBRELLA**

(75) Inventor: **Kai Liu**, Linhai (CN)

(73) Assignee: **Yotrio Group Co., Ltd.**, Linhai (CN)

(**) Term: **14 Years**

(21) Appl. No.: **29/307,627**

(22) Filed: **May 2, 2008**

(51) **LOC (9) Cl.** **03-03**

(52) **U.S. Cl.** **D3/5**

(58) **Field of Classification Search** D3/5-17;
135/15.1, 16, 17, 19, 20.1, 25.1, 25.2, 25.4,
135/29-31, 33.2, 33.4, 33.41, 98, 99; D21/836-839
See application file for complete search history.

(56) **References Cited**

U.S. PATENT DOCUMENTS

D45,802	S	*	5/1914	Follmer	D3/5
5,937,882	A	*	8/1999	Harbaugh	135/98
D434,556	S	*	12/2000	Lin	D3/6
6,305,394	B1	*	10/2001	Reese	135/20.3
7,013,903	B2	*	3/2006	Li	135/21
2002/0129847	A1	*	9/2002	Ma	135/98
2004/0177871	A1	*	9/2004	Harbaugh	135/20.1
2005/0028852	A1	*	2/2005	Reese	135/20.1

2008/0006312 A1* 1/2008 Li 135/16

FOREIGN PATENT DOCUMENTS

EM 000702600-0002 * 4/2007

* cited by examiner

Primary Examiner—T. Chase Nelson

Assistant Examiner—Anhdao Doan

(74) *Attorney, Agent, or Firm*—Jingming Cai; Schein & Cai LLP

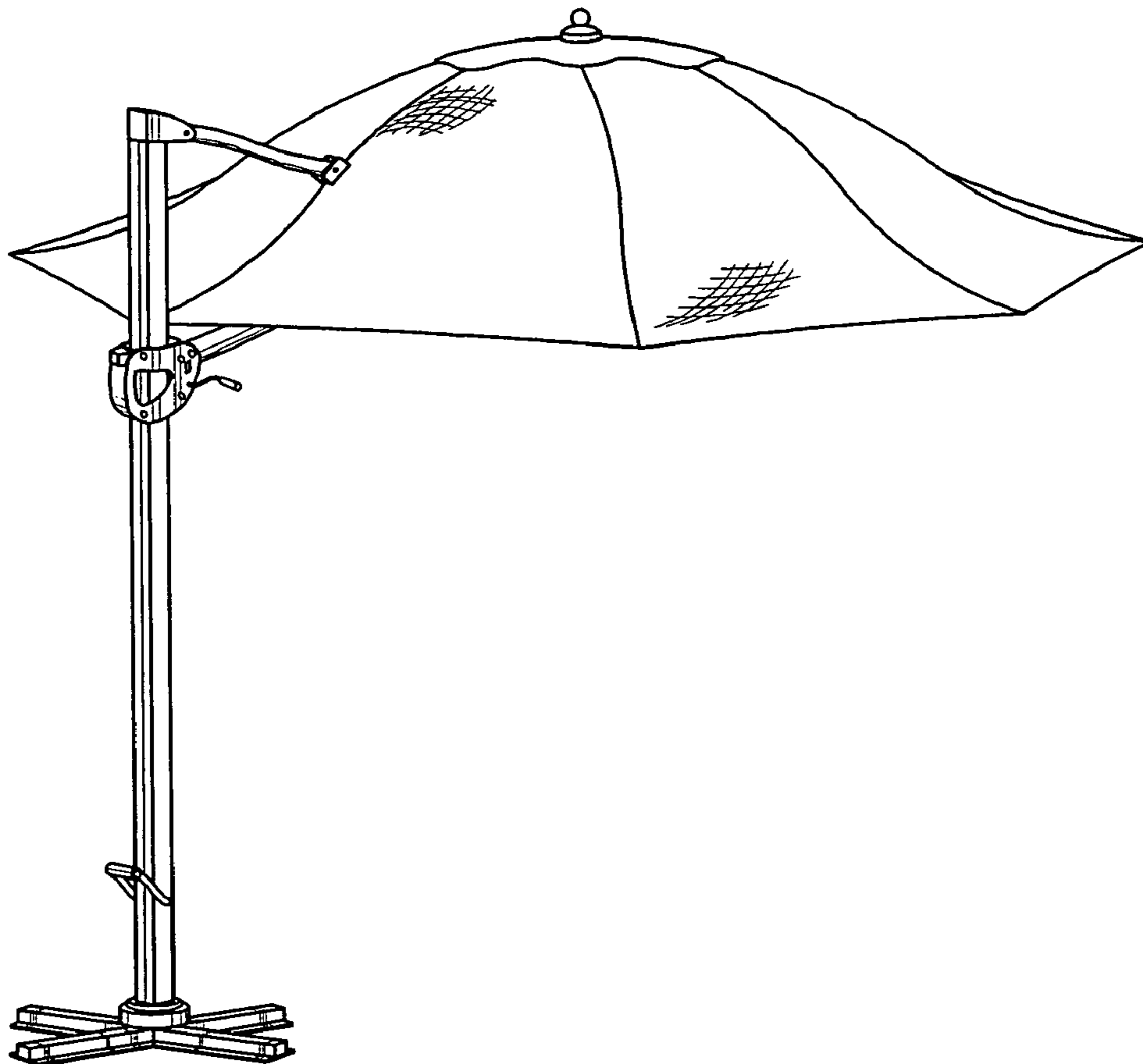
(57) **CLAIM**

I claim the ornamental design for a patio umbrella, as shown and described.

DESCRIPTION

FIG. 1 is a perspective view of a patio umbrella;
FIG. 2 is a rear view thereof;
FIG. 3 is a side view thereof;
FIG. 4 is a top view thereof;
FIG. 5 is a bottom view thereof;
FIG. 6 is a side view thereof starting to retract;
FIG. 7 is a side view thereof continuing to retract; and,
FIG. 8 is a side view thereof fully retracted.

1 Claim, 8 Drawing Sheets



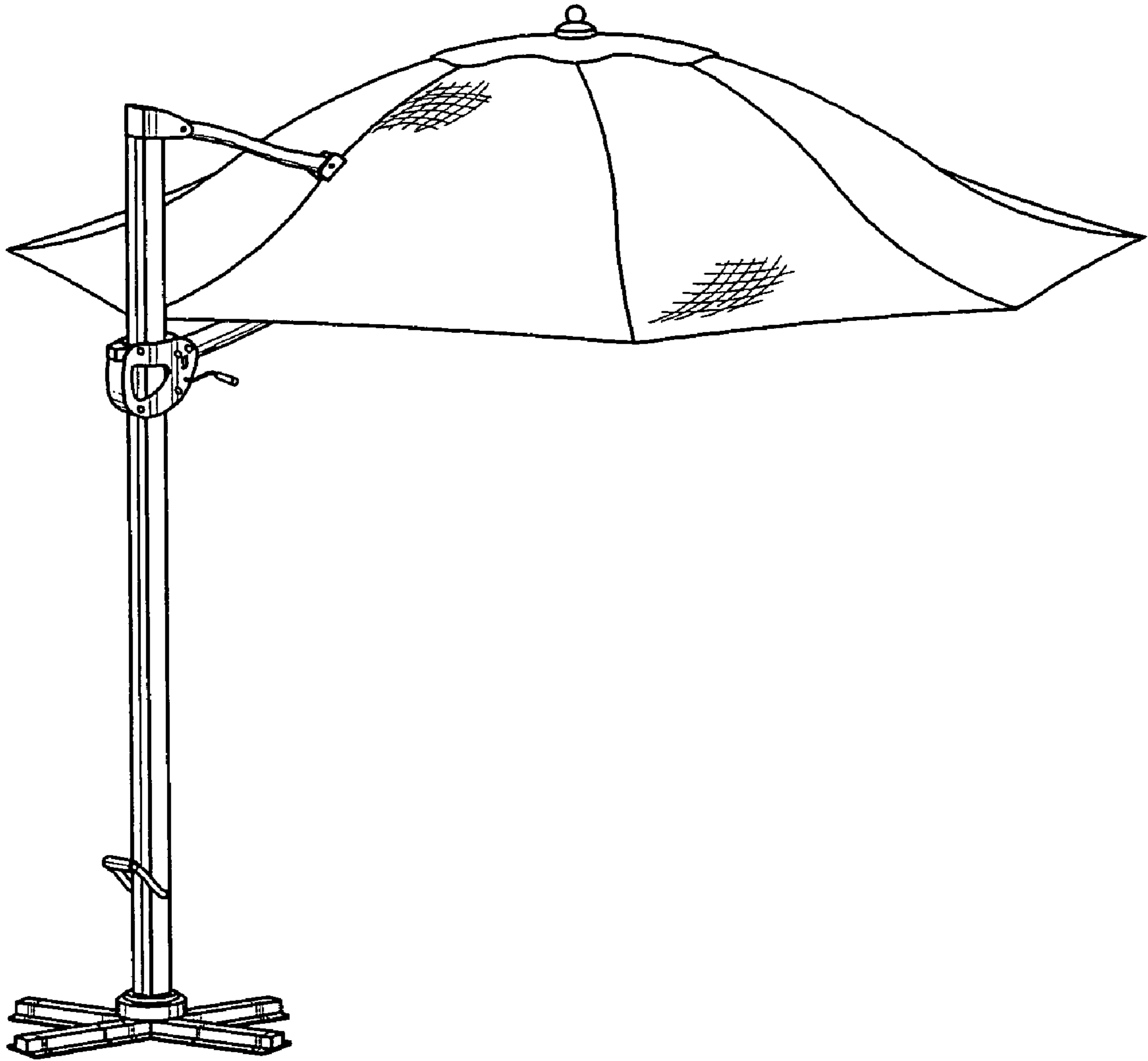


FIG.1

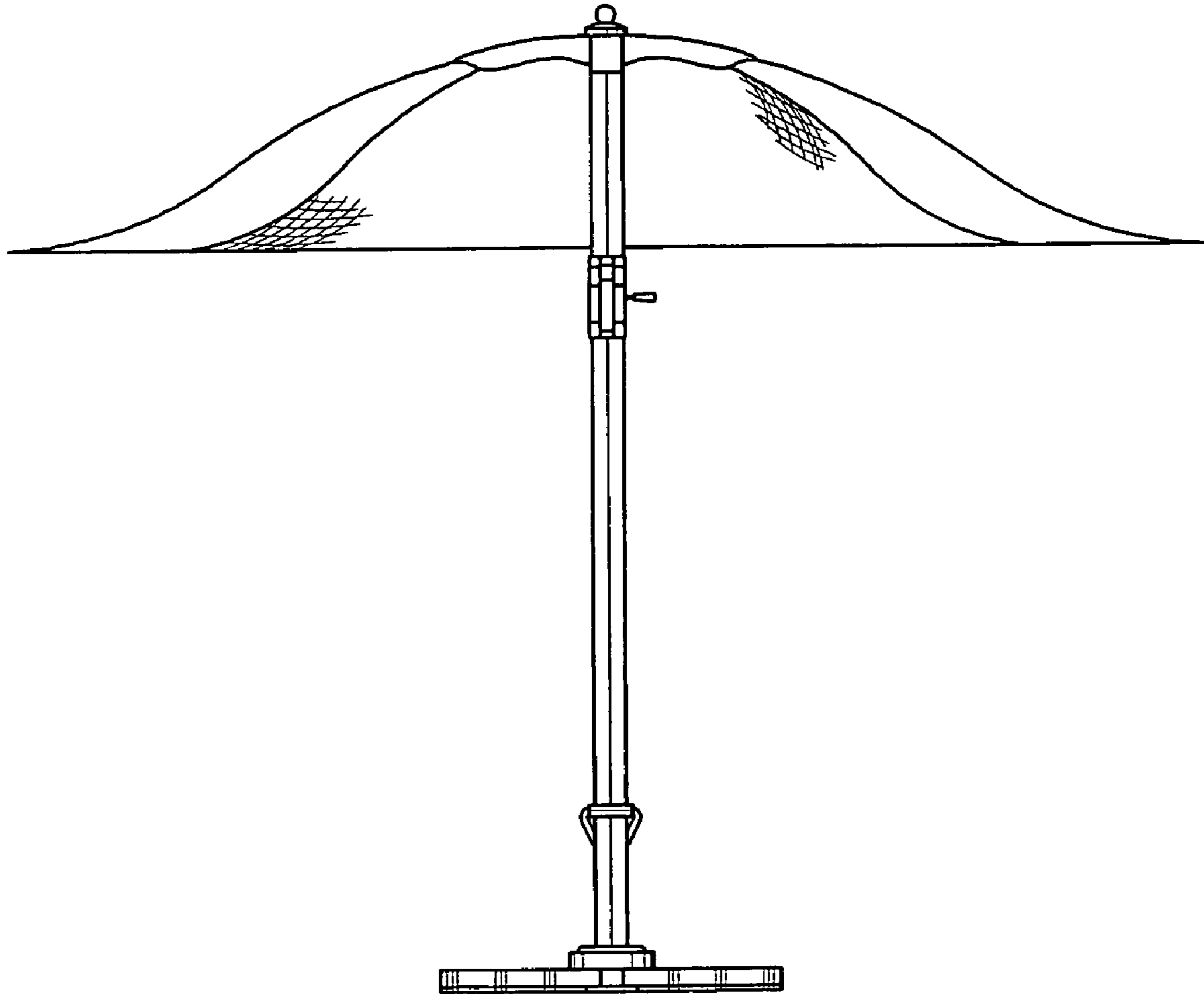


FIG. 2

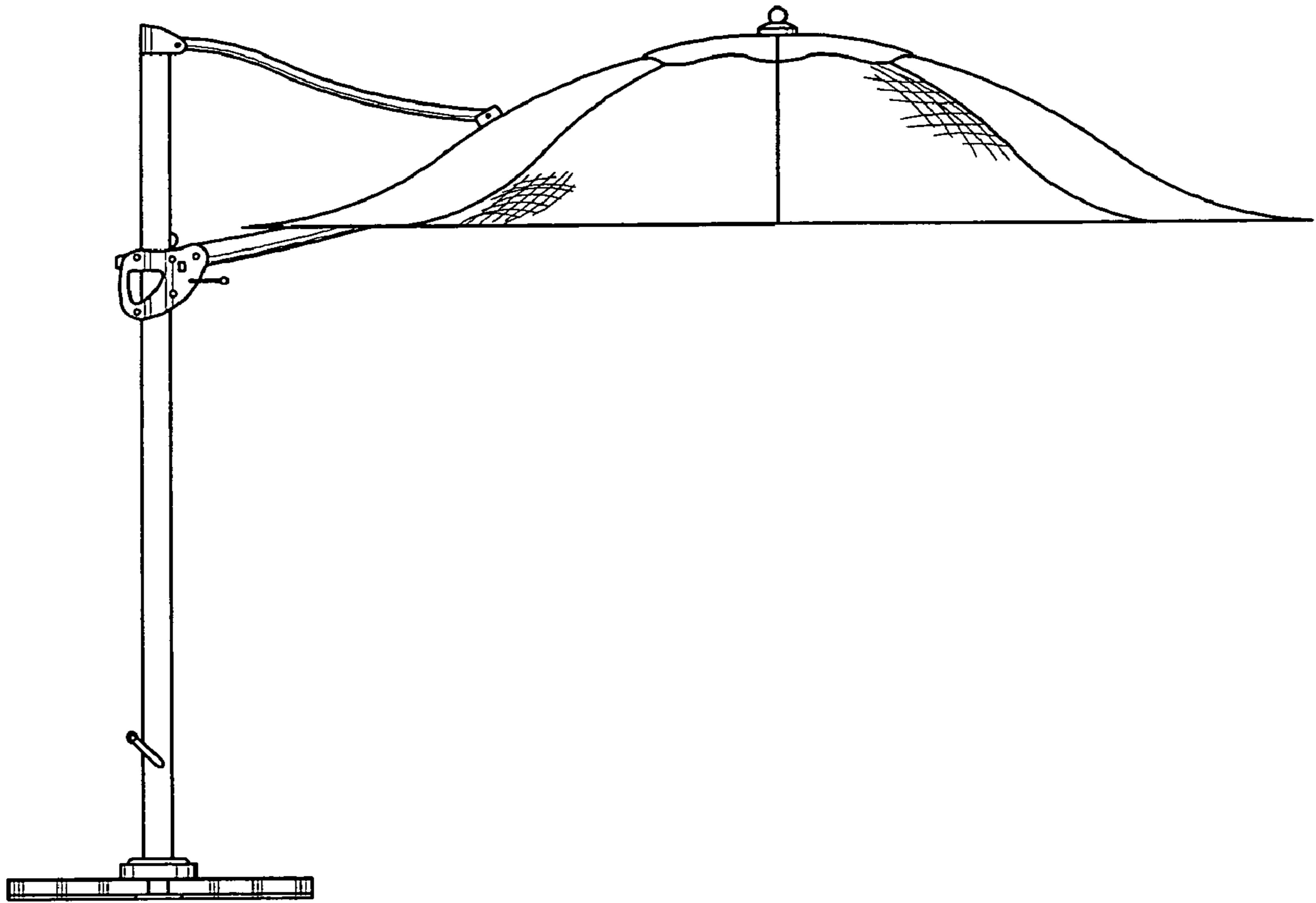


FIG.3

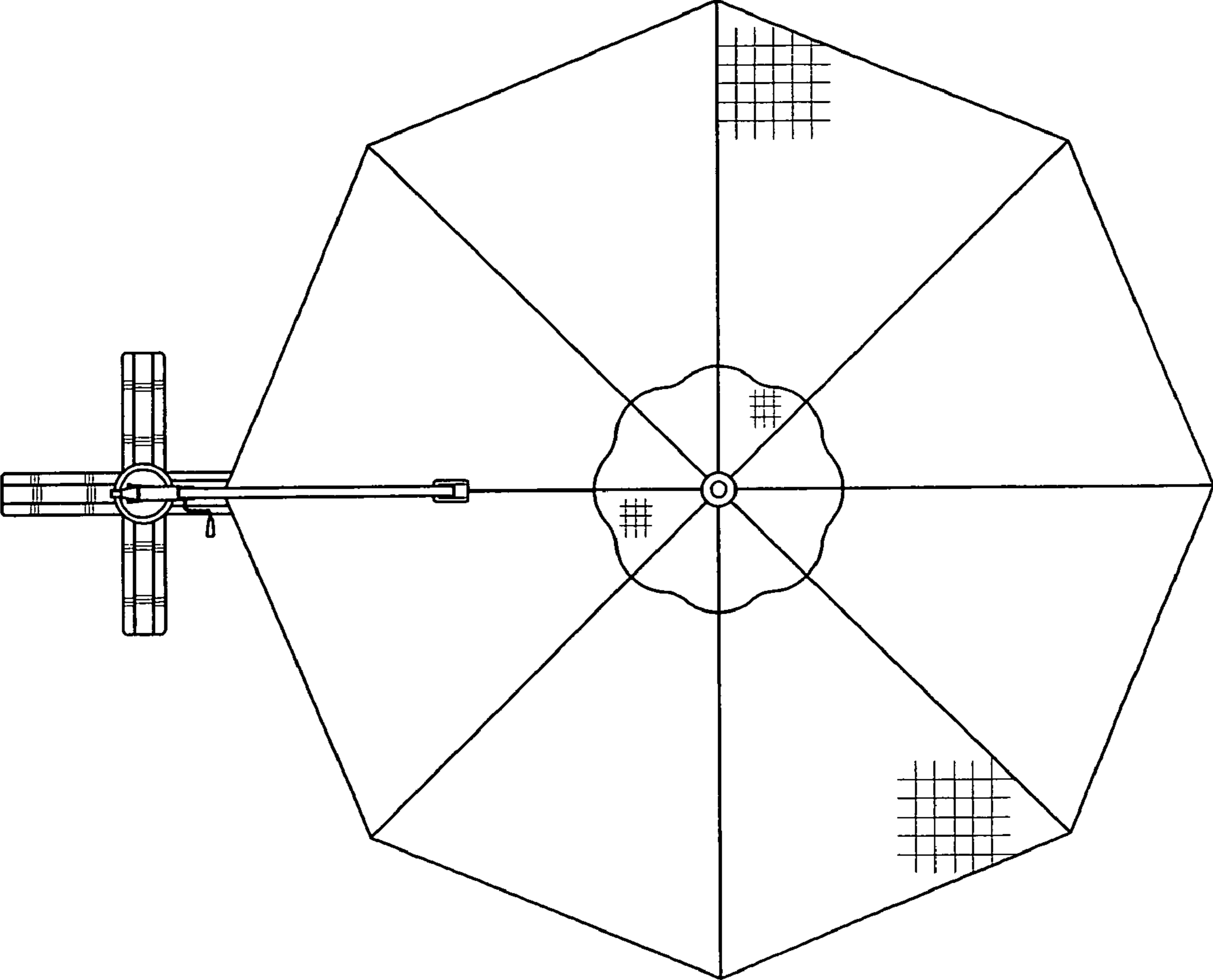


FIG.4

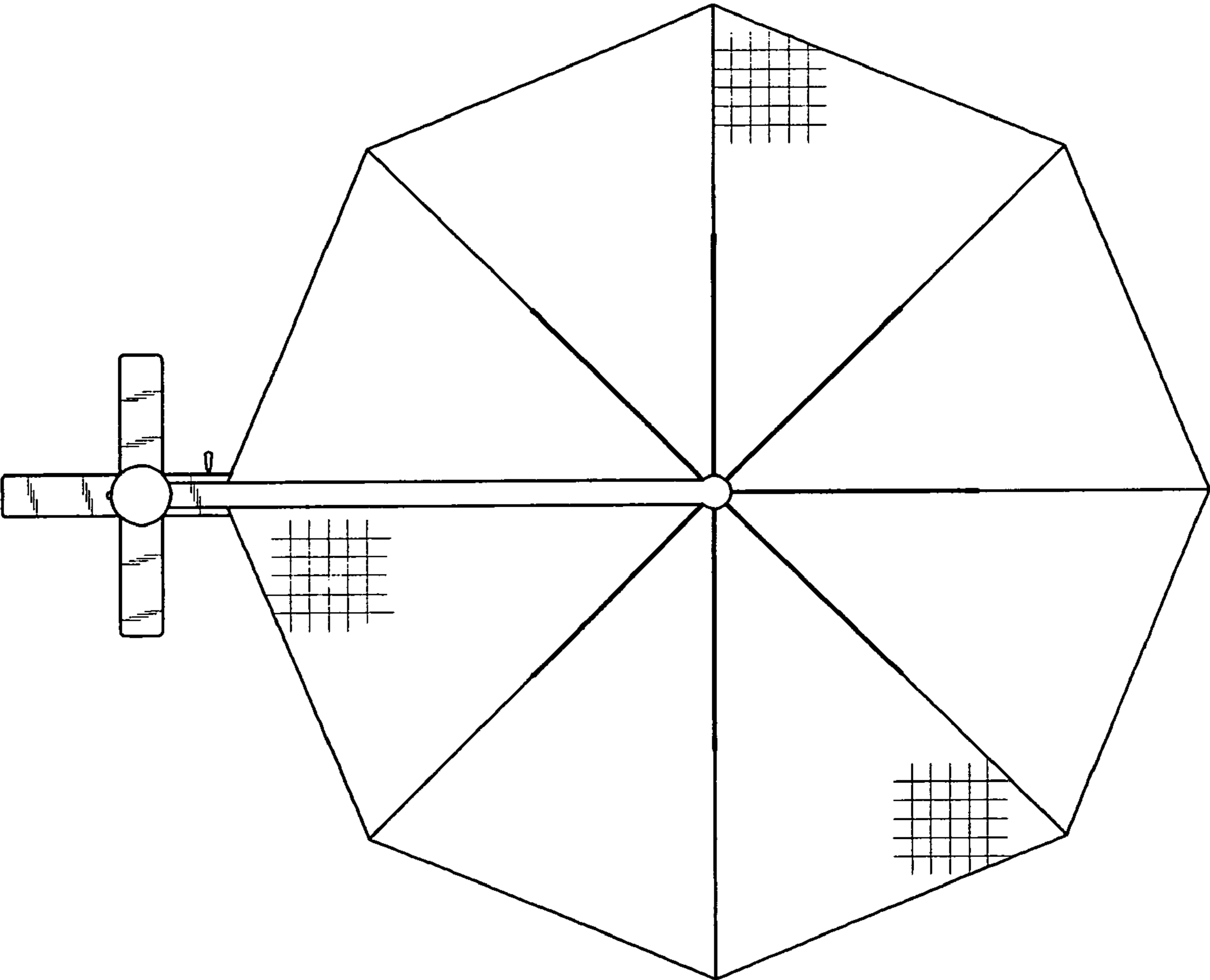


FIG.5

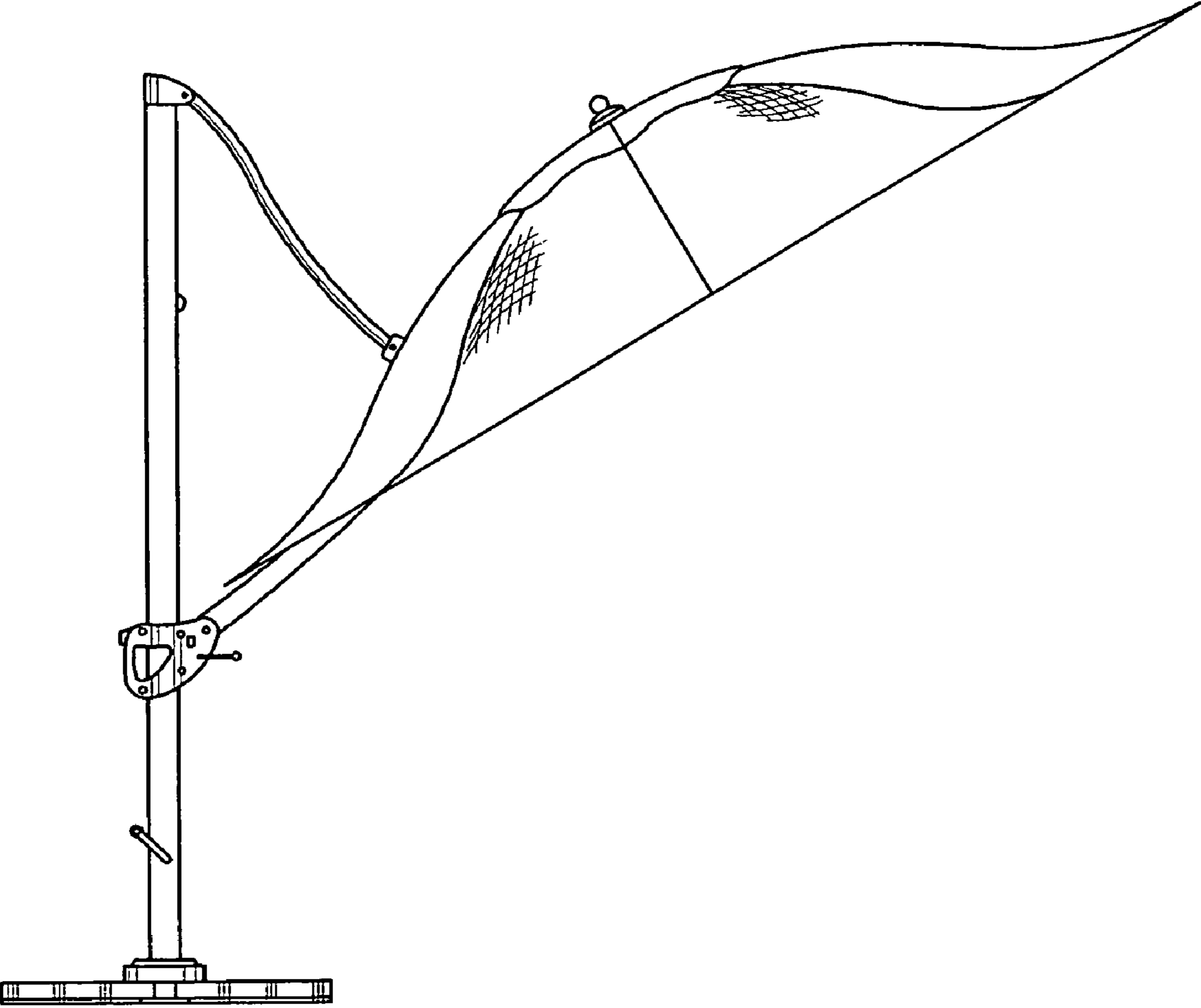


FIG. 6

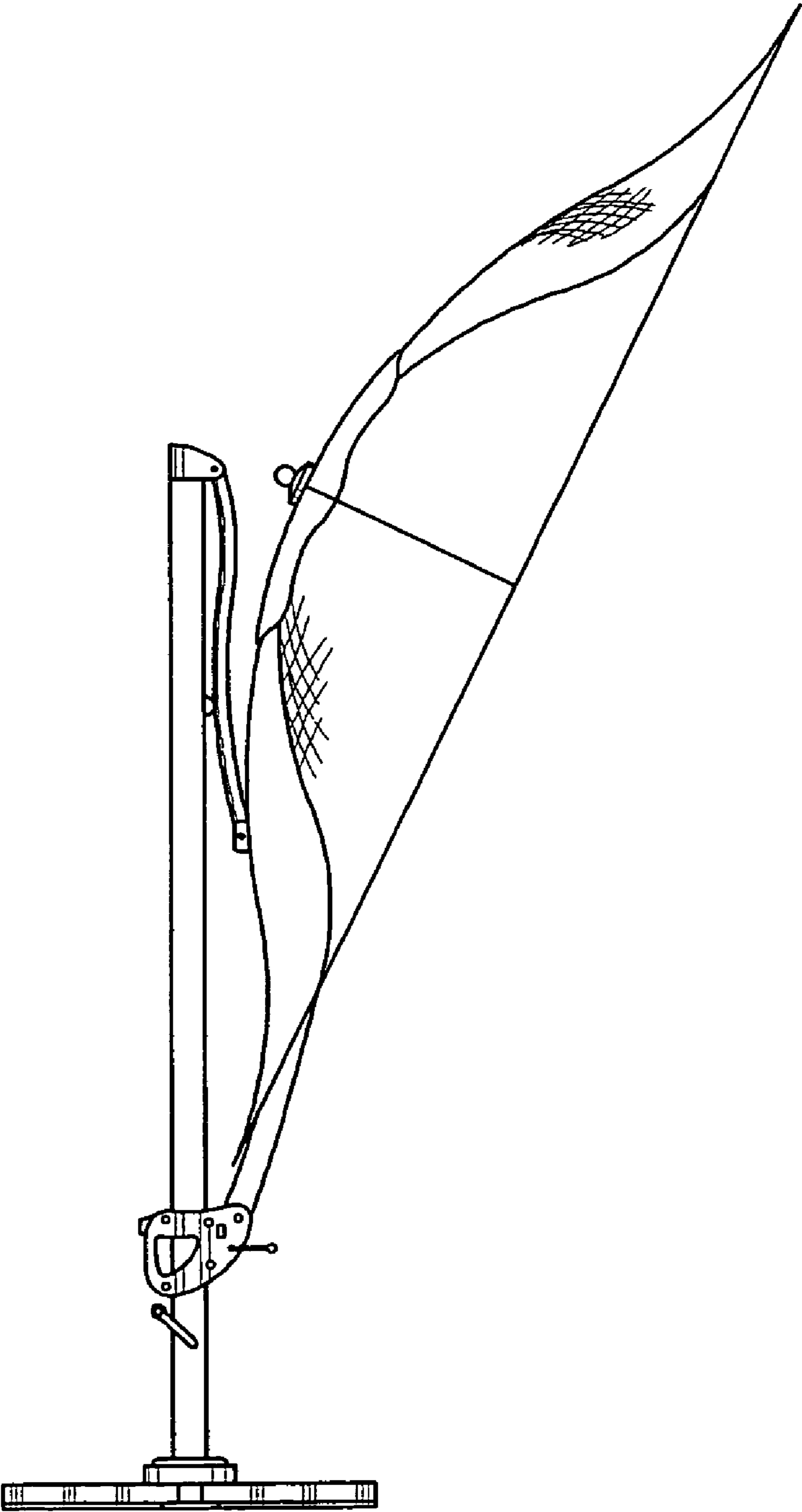


FIG. 7

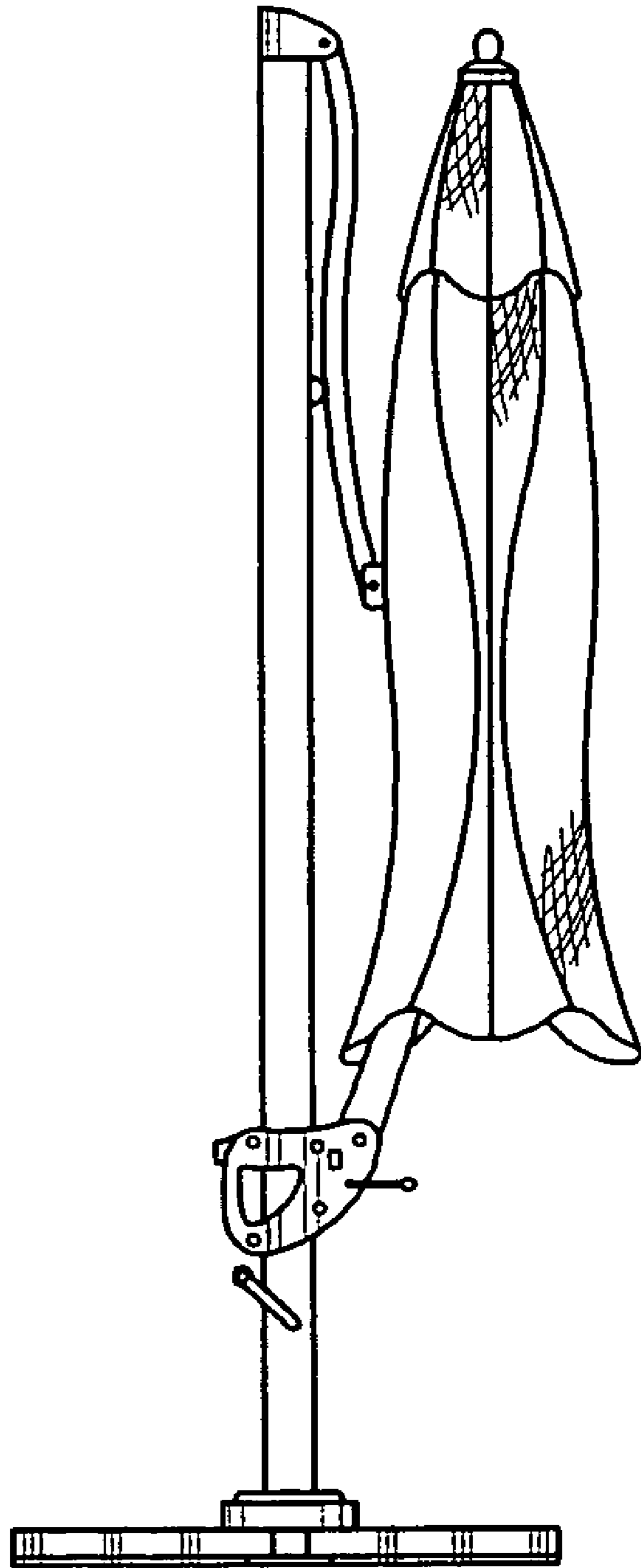


FIG. 8