



US00D609451S

(12) **United States Design Patent**
Dombrow

(10) **Patent No.:** **US D609,451 S**

(45) **Date of Patent:** **** Feb. 9, 2010**

(54) **SHOE**

(75) Inventor: **David Hammel Dombrow**, Waban, MA
(US)

(73) Assignee: **Puma Aktiengesellschaft Rudolf
Dassler Sport, DE**, Herzogenaurach
(DE)

(**) Term: **14 Years**

(21) Appl. No.: **29/333,477**

(22) Filed: **Mar. 10, 2009**

(51) **LOC (9) Cl.** **02-99**

(52) **U.S. Cl.** **D2/972**

(58) **Field of Classification Search** D2/896,
D2/902, 906-912, 943, 944, 969, 972-974;
36/45-49, 50.1, 77 M, 77 R, 83, 88, 113,
36/114, 126-131

See application file for complete search history.

(56) **References Cited**

U.S. PATENT DOCUMENTS

D384,803 S * 10/1997 Avar D2/972

D430,725 S * 9/2000 McDowell D2/972

D450,916 S * 11/2001 Turner et al. D2/972

D485,051 S * 1/2004 Bradford D2/969

D524,526 S * 7/2006 Chang et al. D2/972

D538,021 S * 3/2007 Matis et al. D2/969

* cited by examiner

Primary Examiner—Dominic Simone

(74) *Attorney, Agent, or Firm*—Lucas & Mercanti, LLP

(57) **CLAIM**

The ornamental design for a shoe, as shown and described.

DESCRIPTION

FIG. 1 is a perspective view of a shoe showing my new design;

FIG. 2 is a right side view side view thereof;

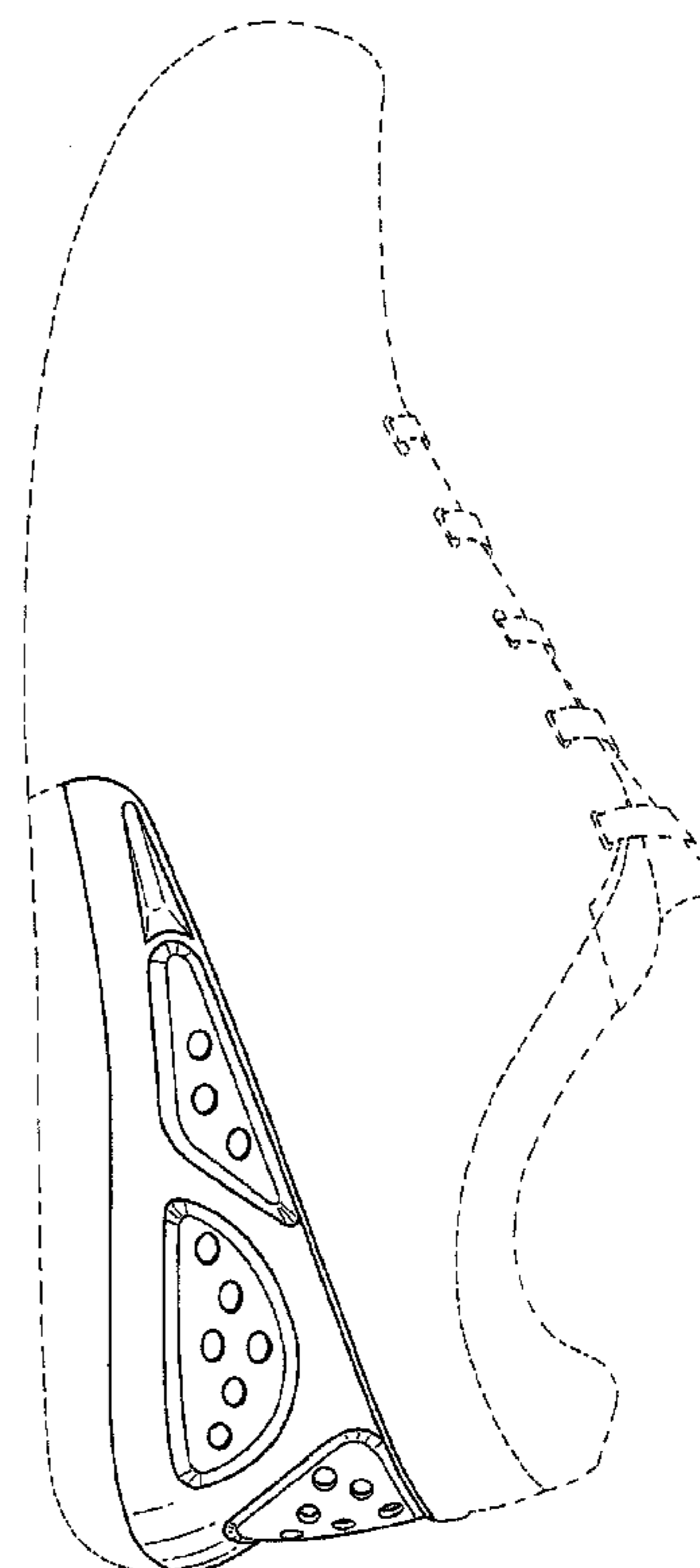
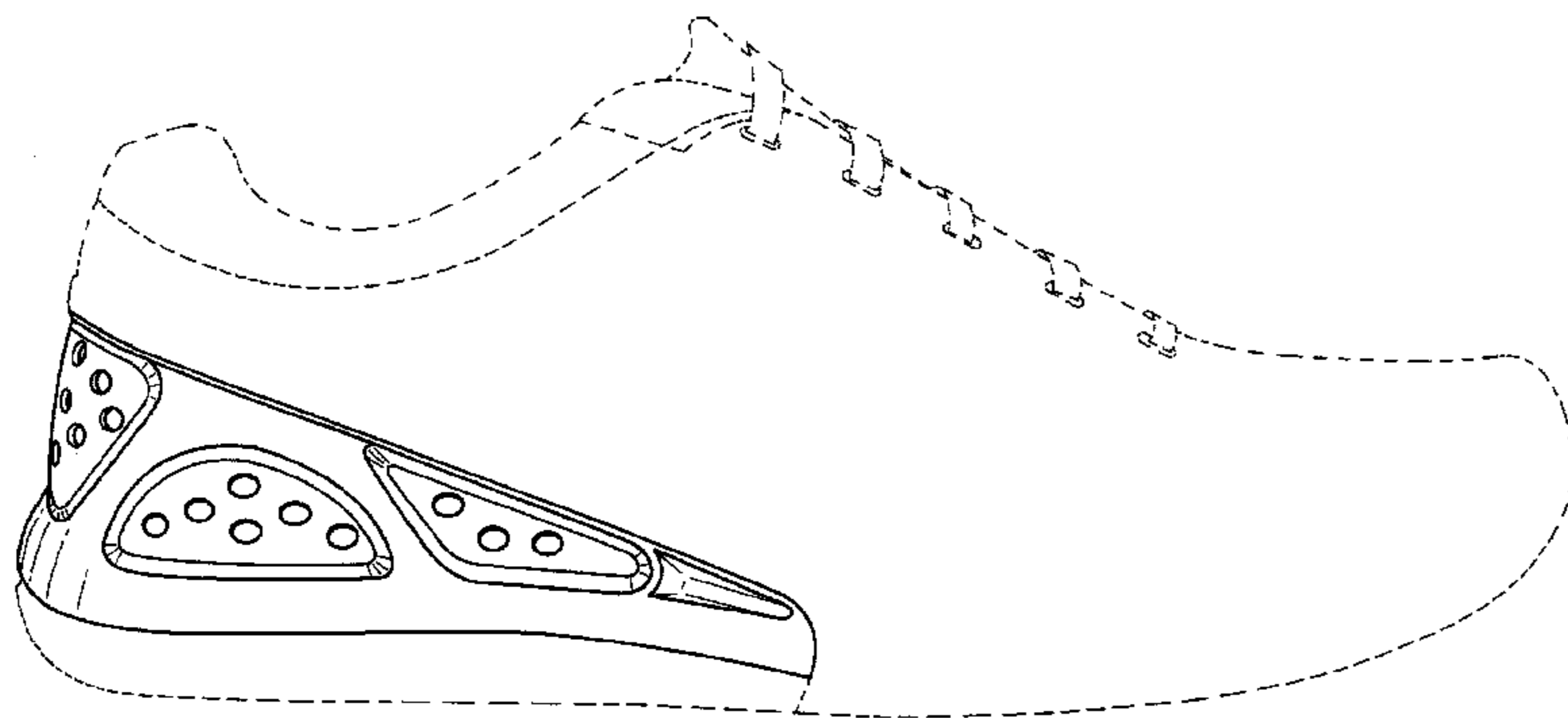
FIG. 3 is a left side view thereof;

FIG. 4 is a front view thereof;

FIG. 5 is a back view thereof; and,

FIG. 6 is a top view thereof.

1 Claim, 6 Drawing Sheets



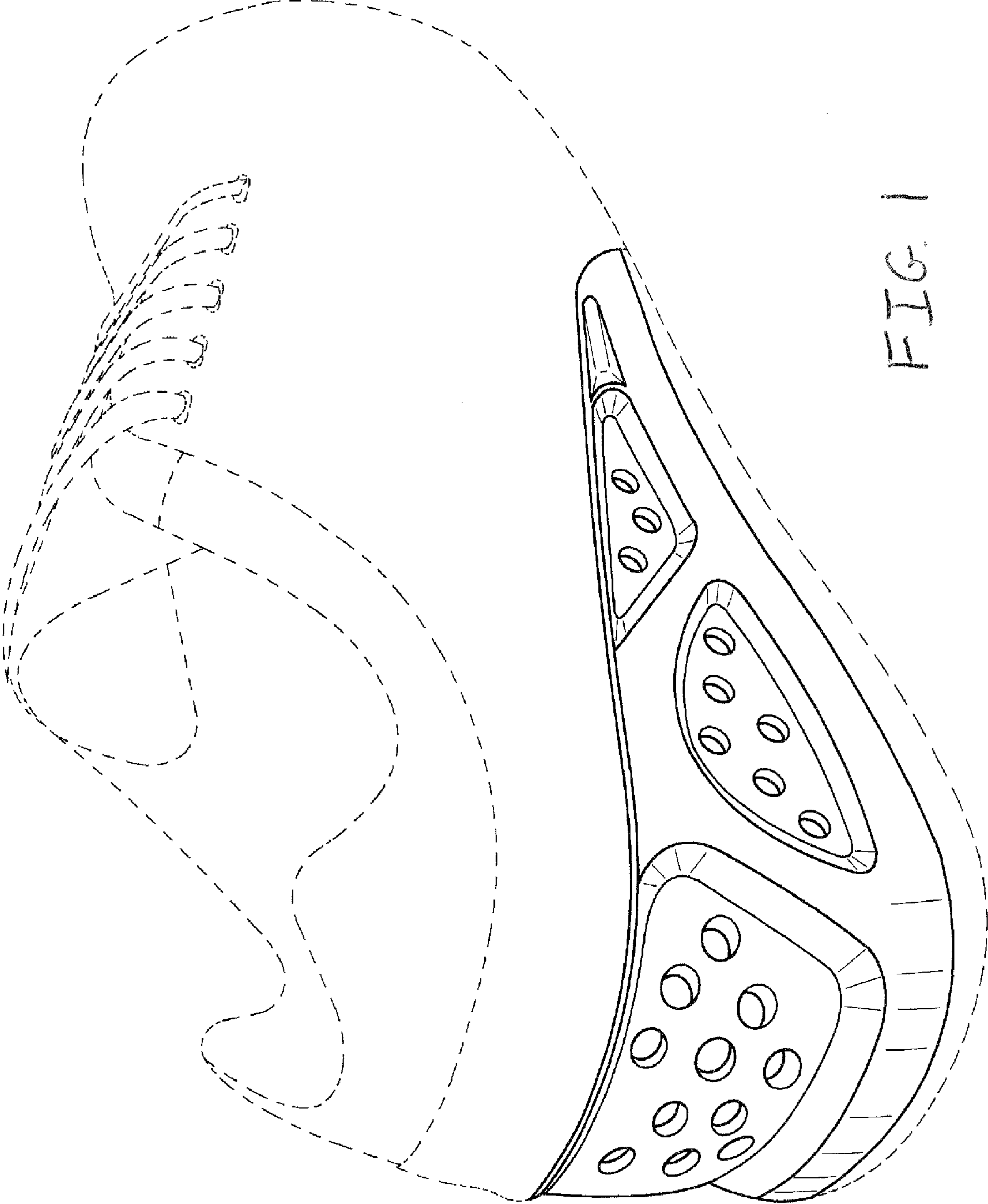


FIG. 1

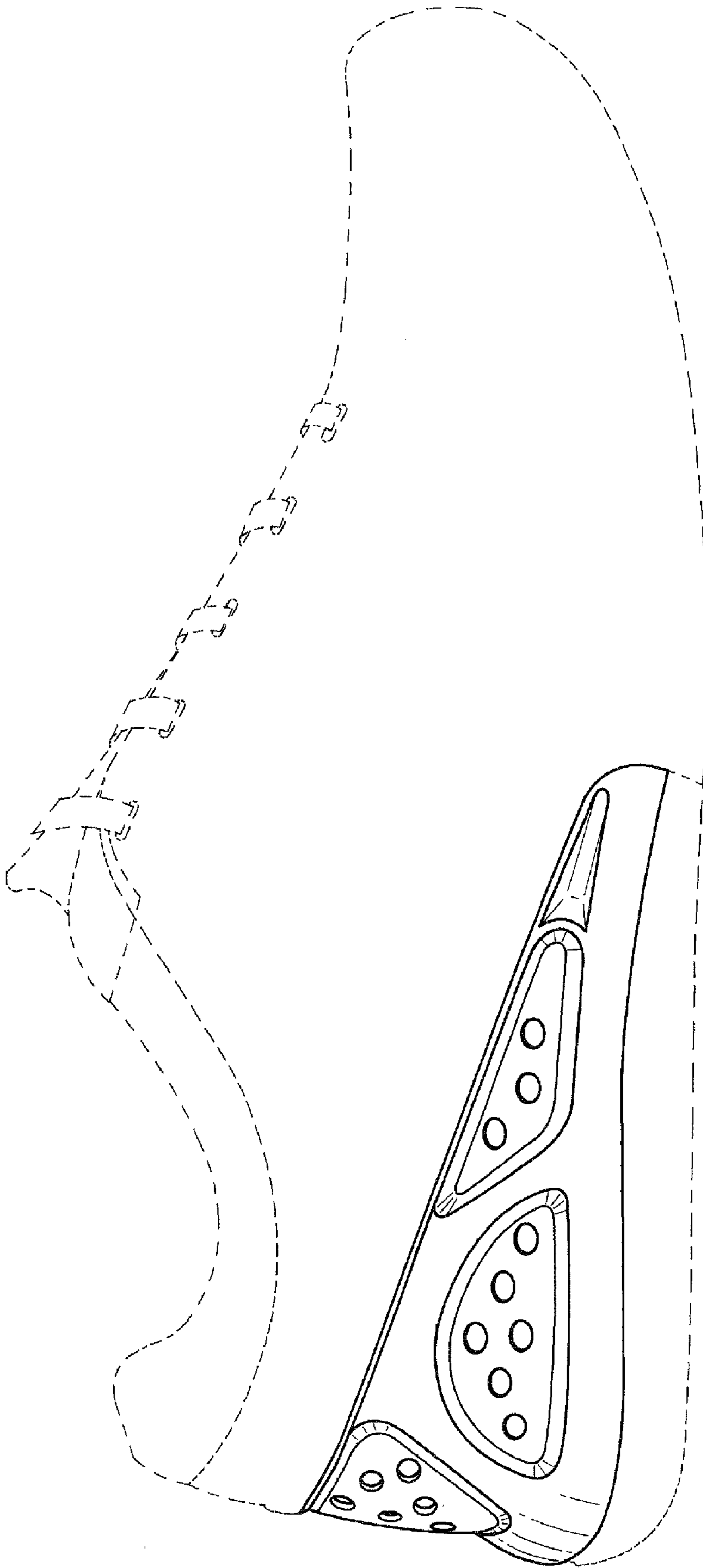


FIG. 2

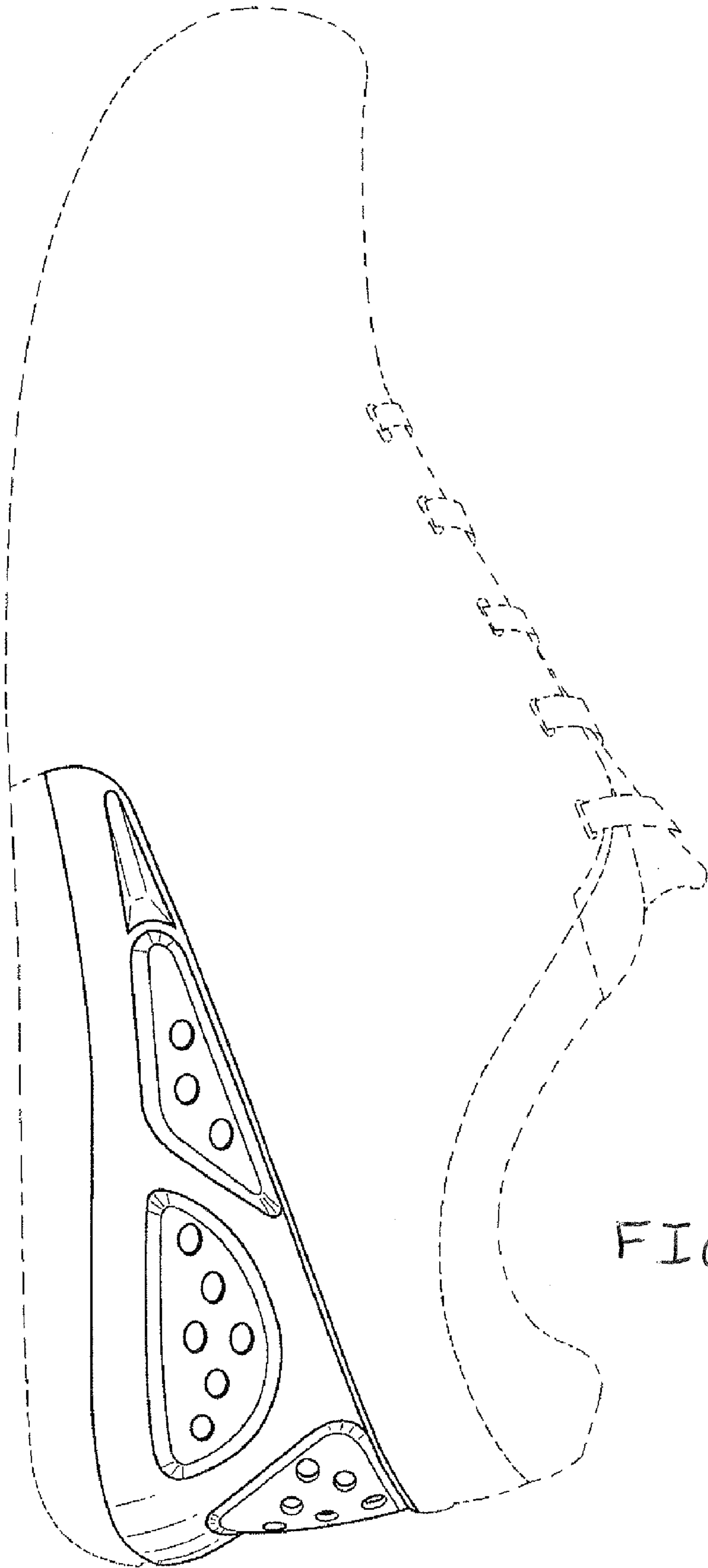


FIG. 3

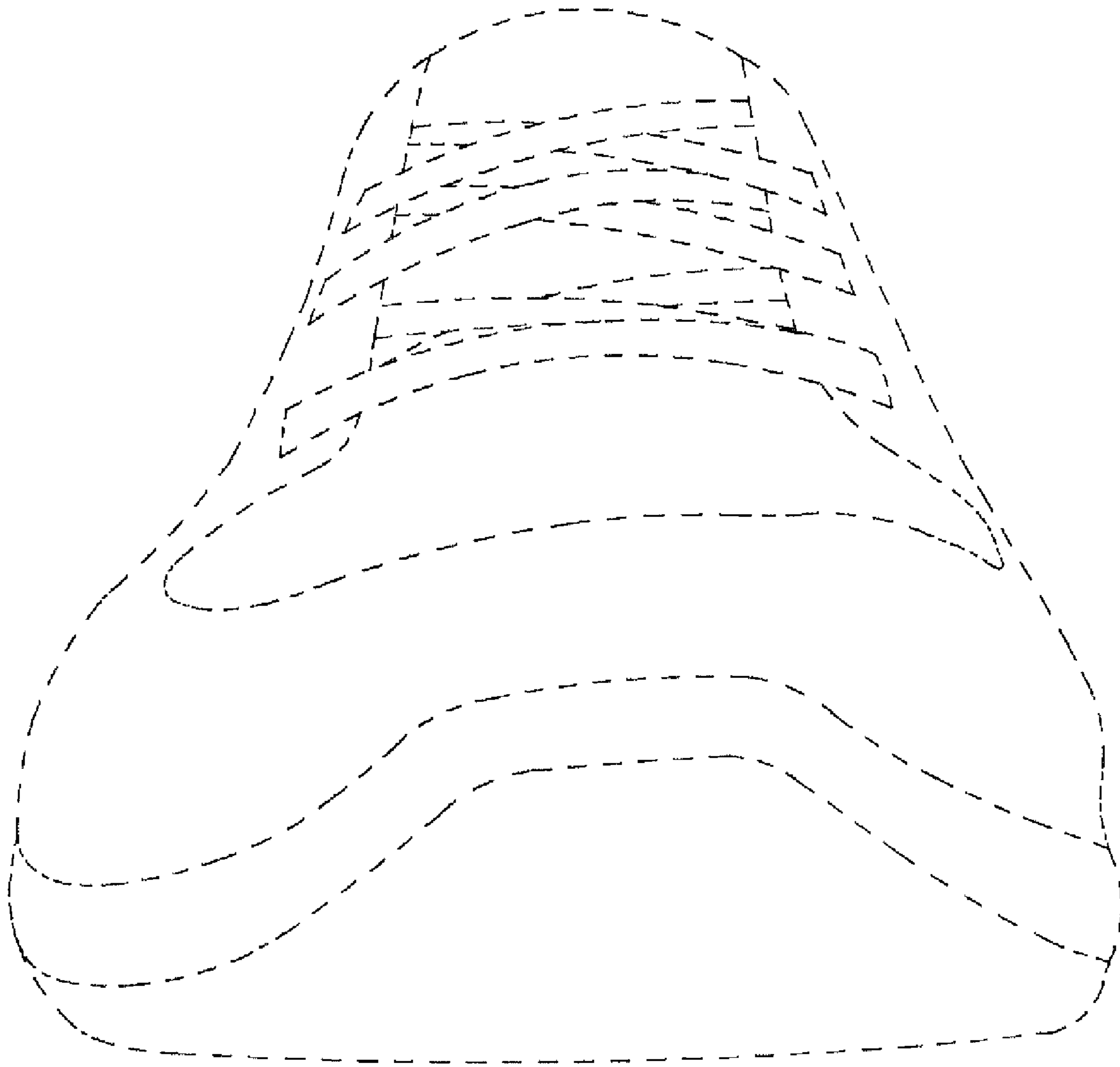


FIG. 4

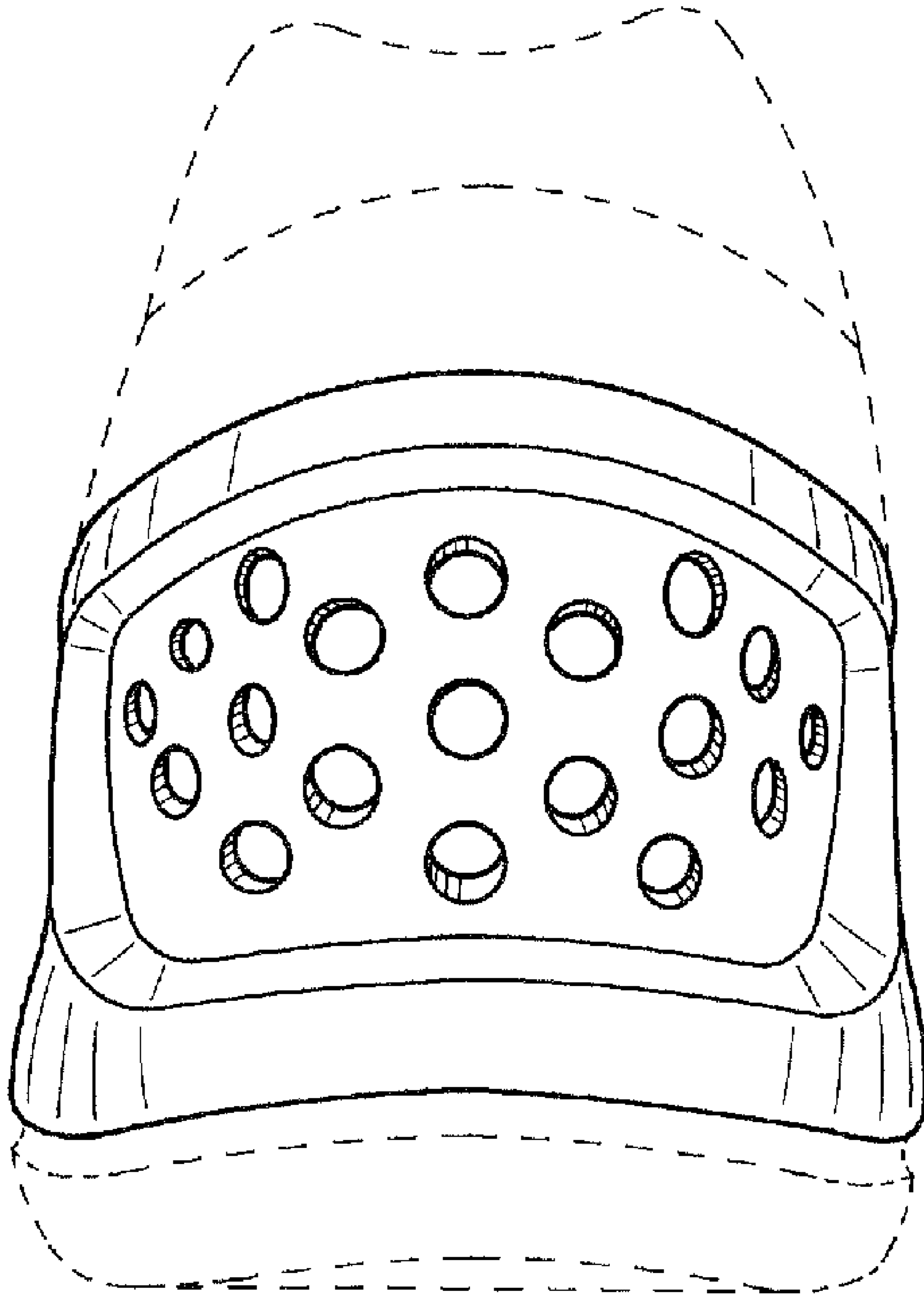


FIG. 5

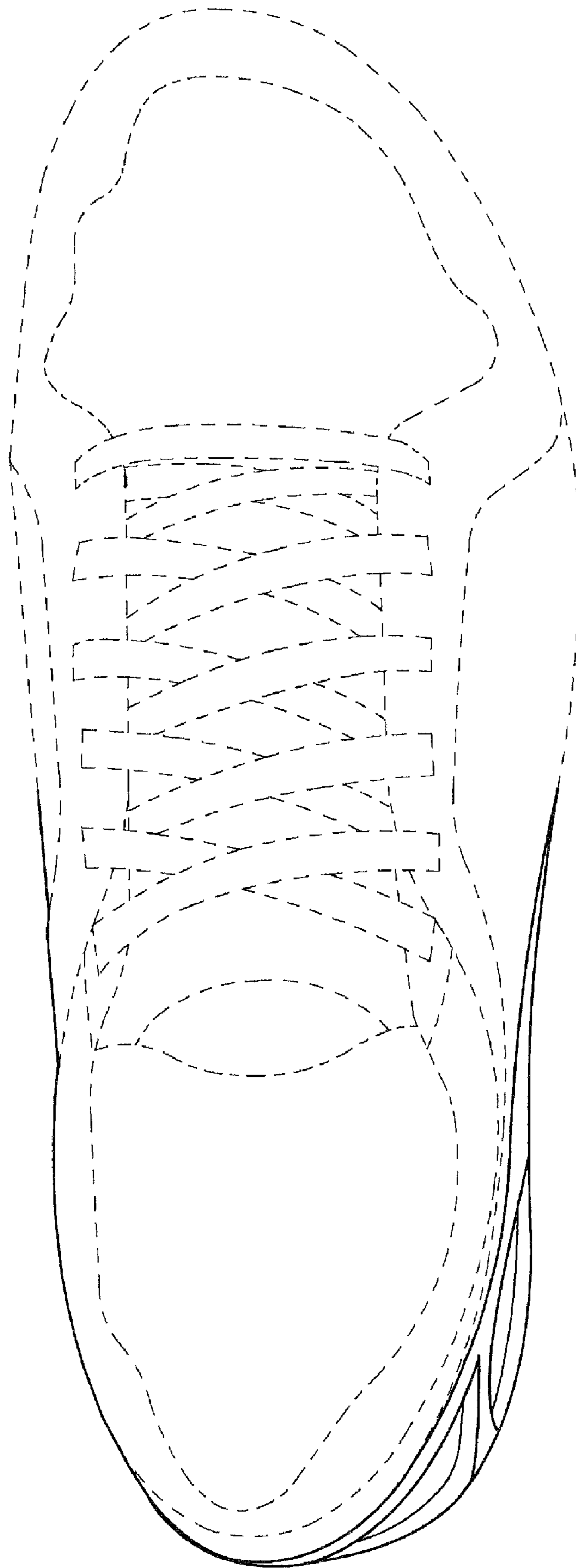


FIG. 6