

US00D609436S

(12) **United States Design Patent**
Flint

(10) **Patent No.:** **US D609,436 S**

(45) **Date of Patent:** **** Feb. 9, 2010**

(54) **SOCCER SHOE TRAINING COVER**

D482,514 S * 11/2003 Whittington D2/946

(75) Inventor: **David Flint**, North Miami Beach, FL
(US)

* cited by examiner

Primary Examiner—Stella M Reid

Assistant Examiner—Rashida C McCoy

(73) Assignee: **Zmackit Corporation**, North Miami
Beach, FL (US)

(74) *Attorney, Agent, or Firm*—Robert M. Schwartz; David
W. Barman

(**) Term: **14 Years**

(57) **CLAIM**

(21) Appl. No.: **29/302,407**

The ornamental design of a soccer shoe training cover, as
shown and described.

(22) Filed: **Jan. 16, 2008**

DESCRIPTION

(51) **LOC (9) Cl.** **02-04**

(52) **U.S. Cl.** **D2/909**

(58) **Field of Classification Search** D2/896,
D2/907–909, 946, 955, 969; 36/45, 7.3,
36/77 R, 50.1, 83, 88, 113, 114, 126–130
See application file for complete search history.

FIG. 1 is a top view of a soccer shoe training cover, showing
my new design;

FIG. 2 is a right side view thereof;

FIG. 3 is a left side view thereof;

FIG. 4 is a bottom view thereof;

FIG. 5 is a front view thereof; and,

FIG. 6 is a rear view thereof.

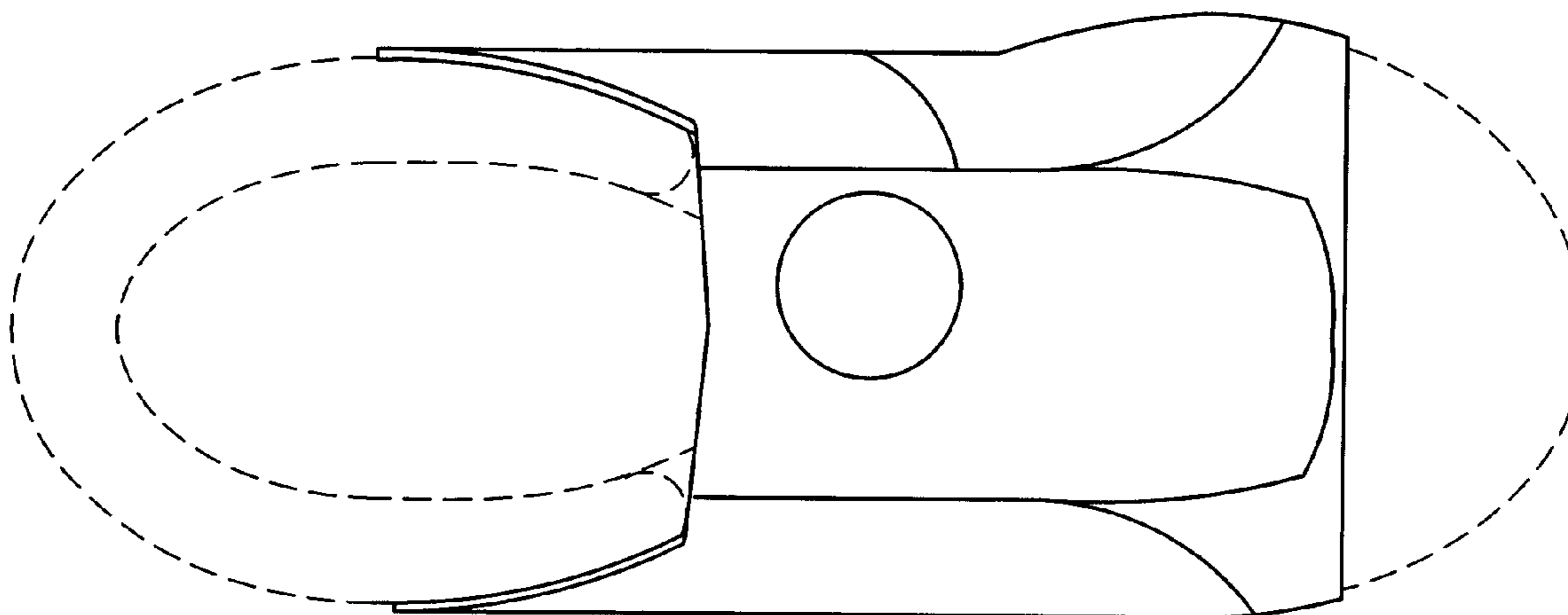
The broken line showing of the shoe is included for the
purpose illustrating environmental structure and forms no
part of the claimed design.

(56) **References Cited**

U.S. PATENT DOCUMENTS

4,604,816	A *	8/1986	Davison	36/1.5
5,074,059	A *	12/1991	Melcher	36/58.5
D357,345	S *	4/1995	Cheatwood et al.	D2/901
5,845,416	A *	12/1998	Hands	36/2 R
D453,062	S *	1/2002	Hall	D2/911

1 Claim, 5 Drawing Sheets



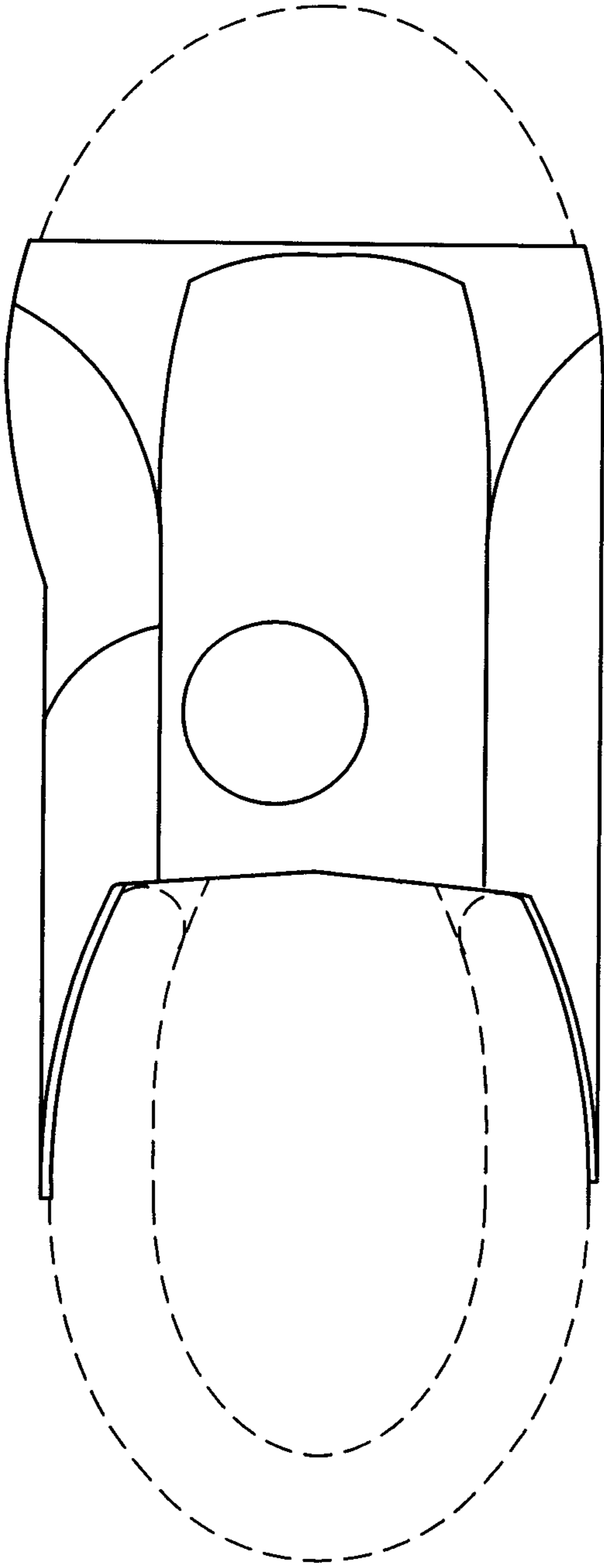


FIG. 1

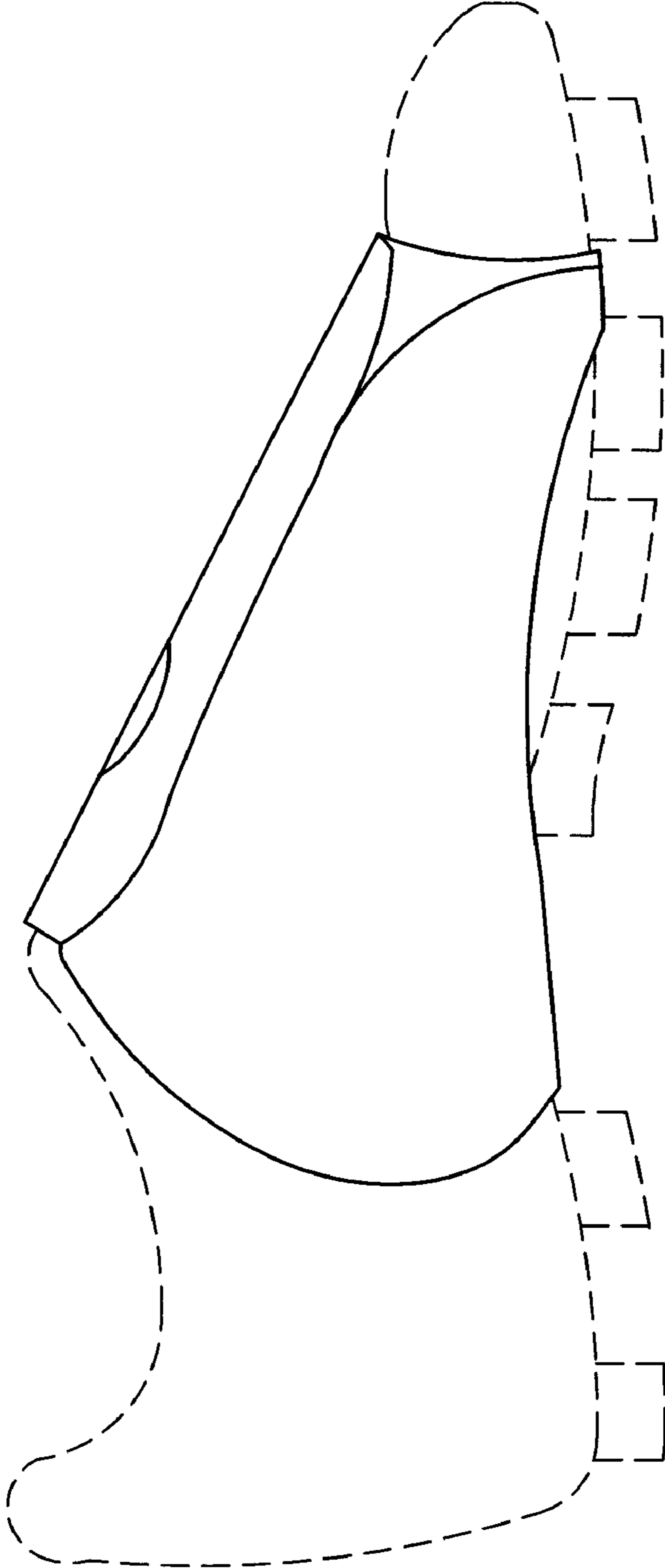


FIG. 2

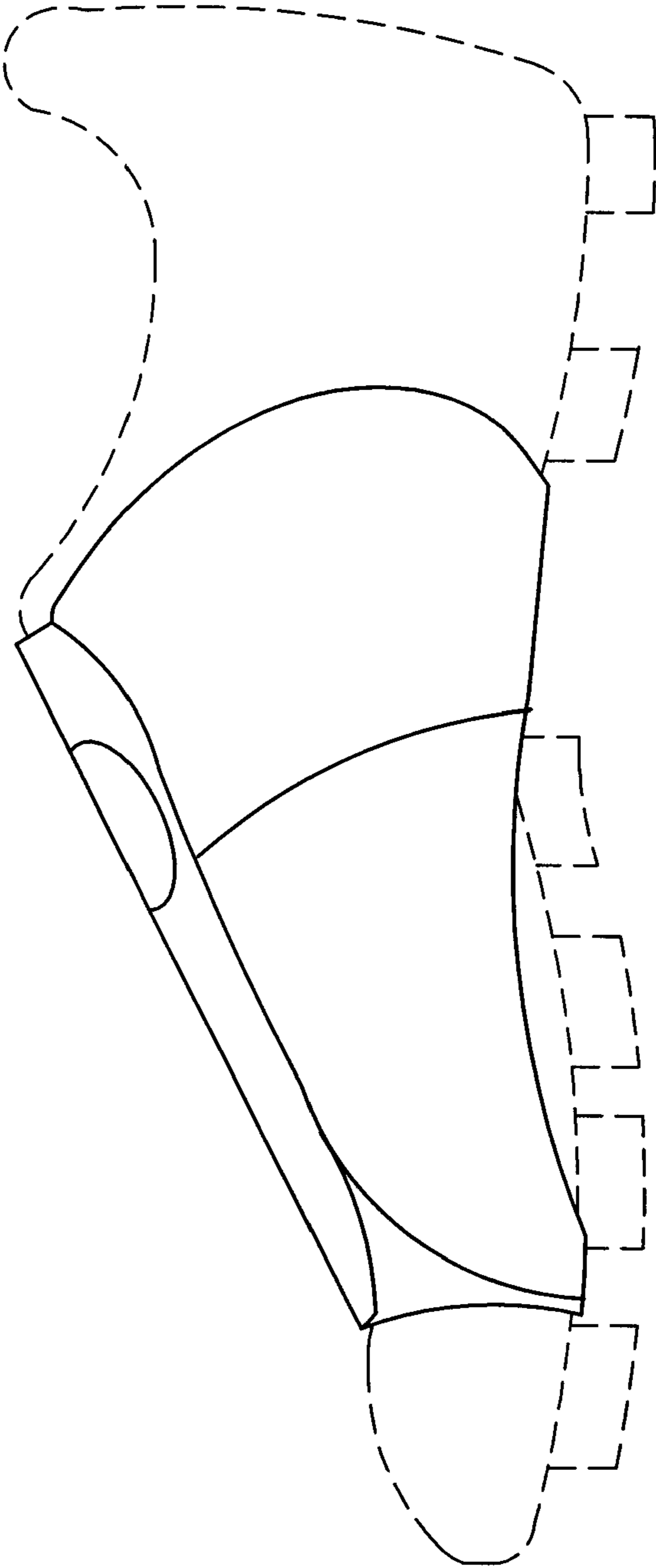


FIG. 3

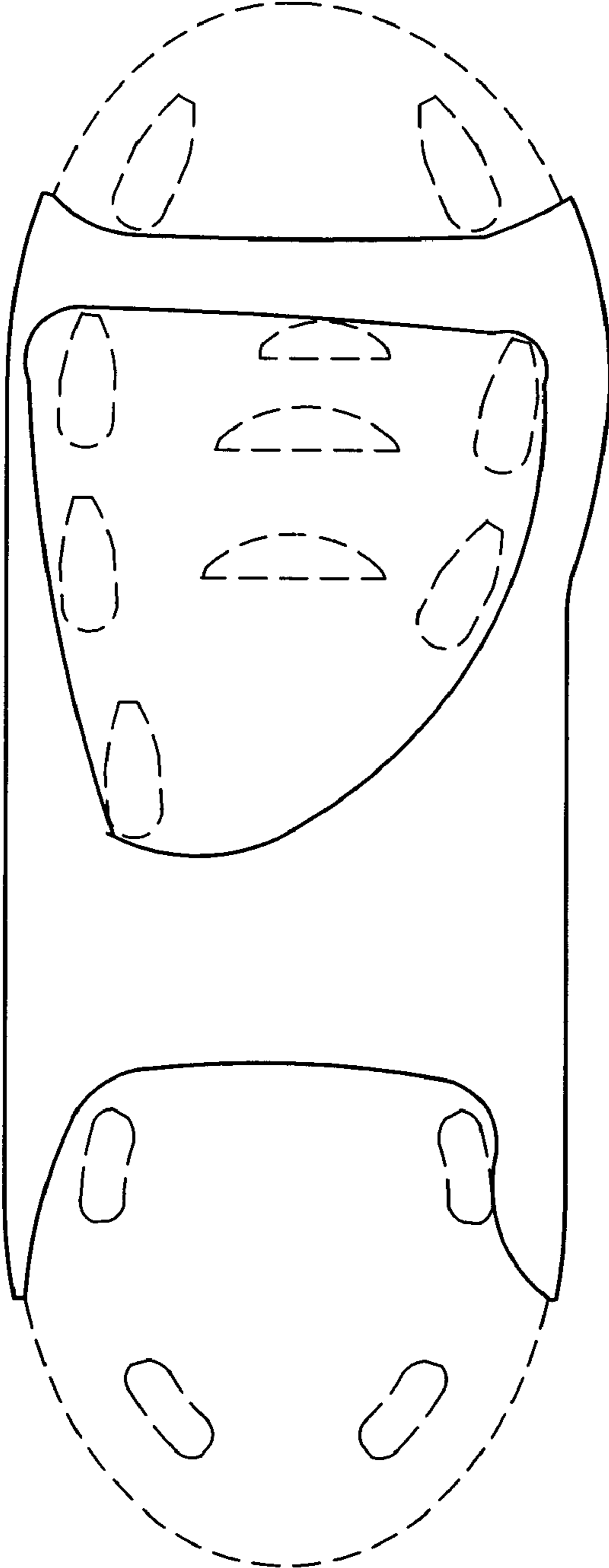


FIG. 4

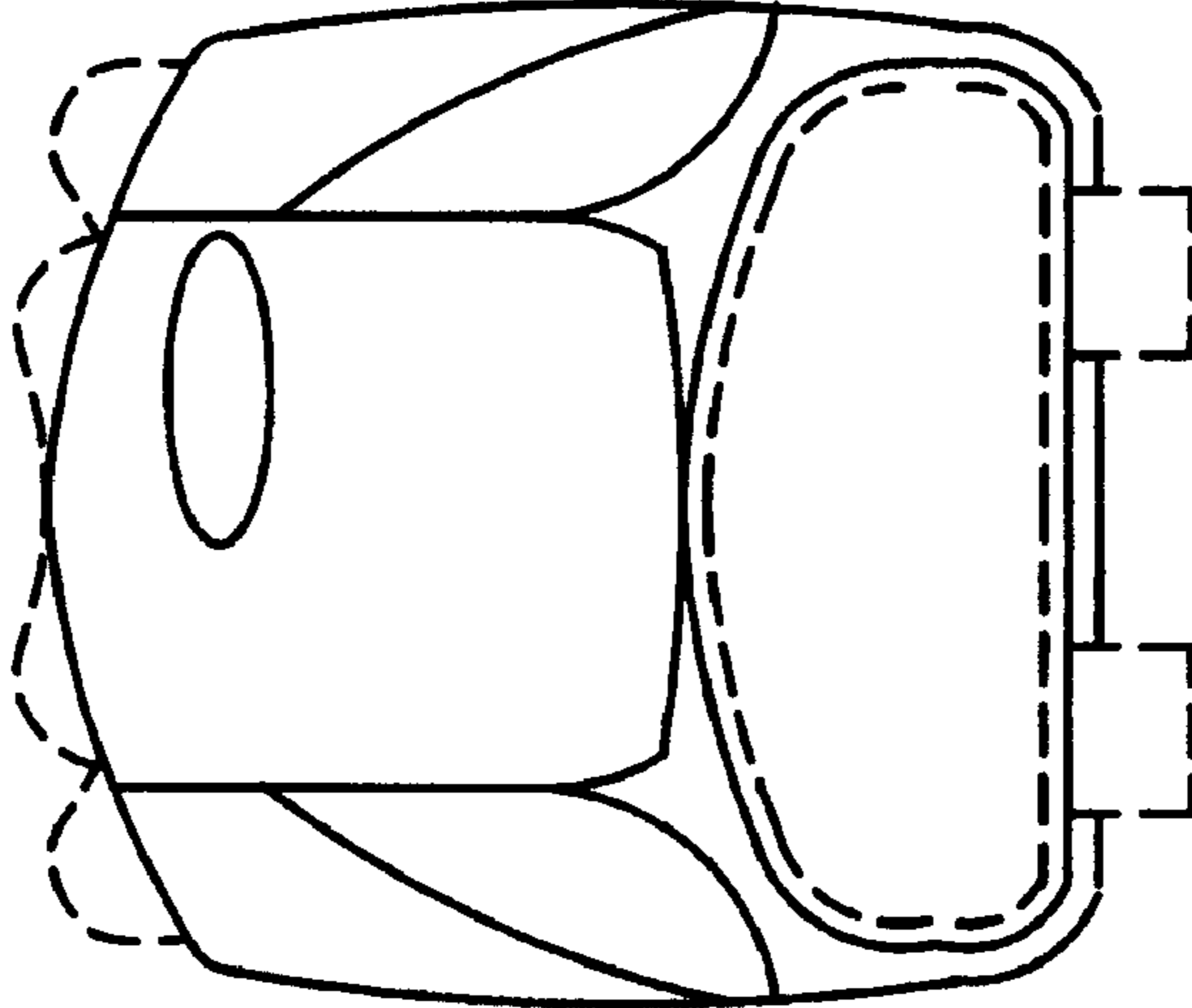


FIG. 5

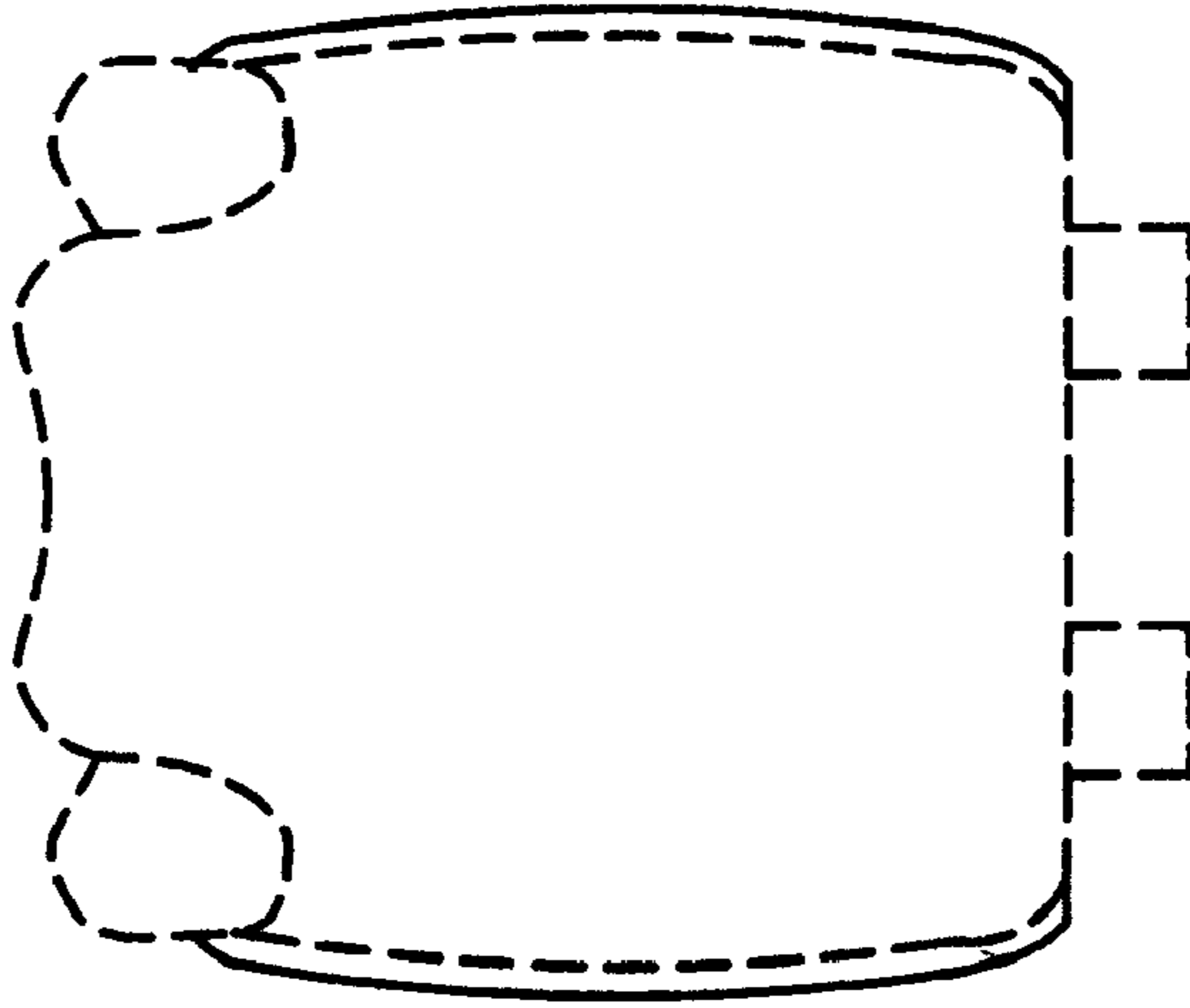


FIG. 6