



US00D609427S

(12) **United States Design Patent**  
**Wilson**

(10) **Patent No.:** **US D609,427 S**

(45) **Date of Patent:** **\*\* Feb. 9, 2010**

(54) **FACE COVER**

(76) Inventor: **Margarett A. Wilson**, 1071 Veltre Cir.,  
Atlanta, GA (US) 30311-3125

(\*\*) Term: **14 Years**

(21) Appl. No.: **29/333,859**

(22) Filed: **Mar. 16, 2009**

(51) **LOC (9) Cl.** ..... **02-05**

(52) **U.S. Cl.** ..... **D2/600**

(58) **Field of Classification Search** ..... D2/500,  
D2/508, 600, 602, 604-608; 2/9, 15, 46,  
2/92, 144, 149, 171, 173, 202-203, 206-207,  
2/468, 860-862, 913

See application file for complete search history.

(56) **References Cited**

**U.S. PATENT DOCUMENTS**

D327,339	S	*	6/1992	Rasmussen et al.	.....	D29/108
5,214,804	A	*	6/1993	Carey et al.	.....	2/206
5,704,068	A	*	1/1998	Martin	.....	2/173
5,823,188	A	*	10/1998	Harges et al.	.....	128/206.19
D531,385	S	*	11/2006	Lund	.....	D2/500
7,137,150	B2	*	11/2006	Larson	.....	2/202
D588,333	S	*	3/2009	Struebing	.....	D2/600
D597,726	S	*	8/2009	Sacca	.....	D2/600
2009/0151049	A1	*	6/2009	Conrardy et al.	.....	2/206

\* cited by examiner

*Primary Examiner*—T. Chase Nelson  
*Assistant Examiner*—Kathleen M Sims

(74) *Attorney, Agent, or Firm*—The Law Office of Charlena Thorpe; Charlena Thorpe, Esq.

(57) **CLAIM**

The ornamental design for a face cover, as shown and described.

**DESCRIPTION**

FIG. 1 is a perspective view of a face cover showing my new design;

FIG. 2 is a left side elevation view of the face cover of FIG. 1;

FIG. 3 is a top plan view of the face cover of FIG. 1 without the human head;

FIG. 4 is a front elevation view of the face cover in a flat configuration;

FIG. 5 is a rear elevation view of the face cover of FIG. 4;

FIG. 6 is a left side elevation view of the face cover of FIG. 4;

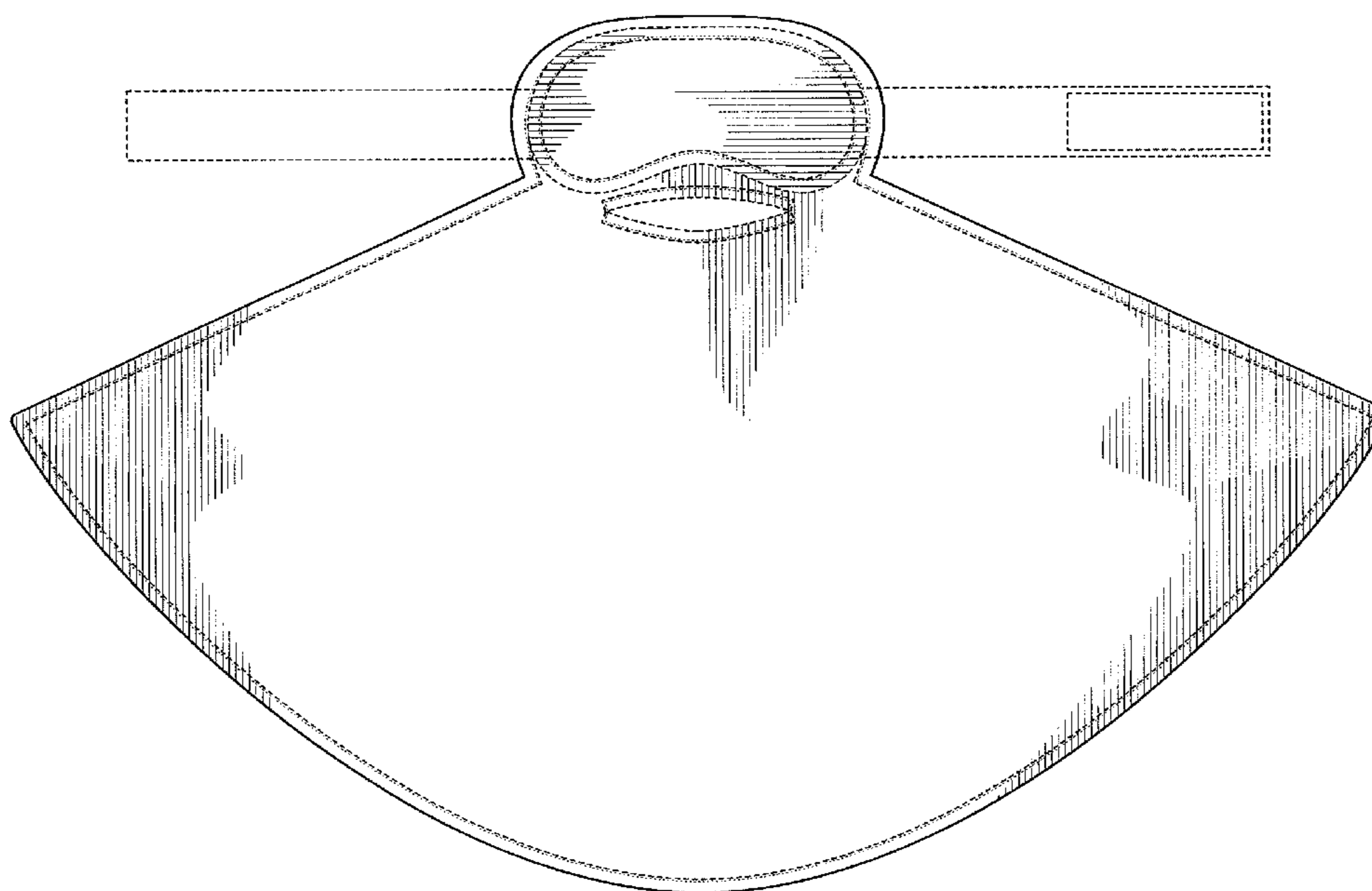
FIG. 7 is a right side elevation view of the face cover of FIG. 4;

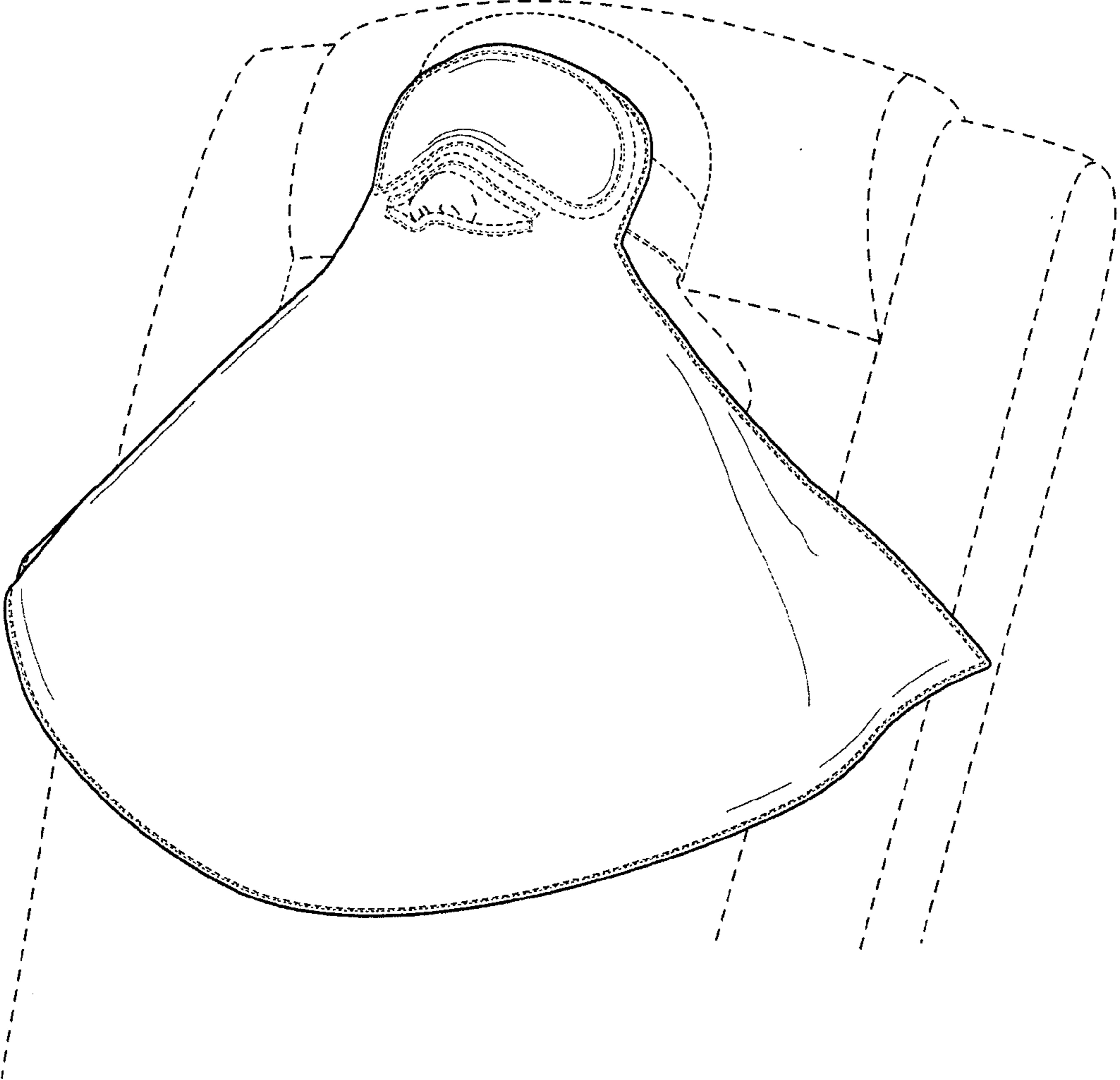
FIG. 8 is an enlarged left side elevation view of the portion of the face cover identified by the number 8 of FIG. 6; and,

FIG. 9 is an enlarged right side elevation view of the portion of the face cover identified by the number 9 of FIG. 7.

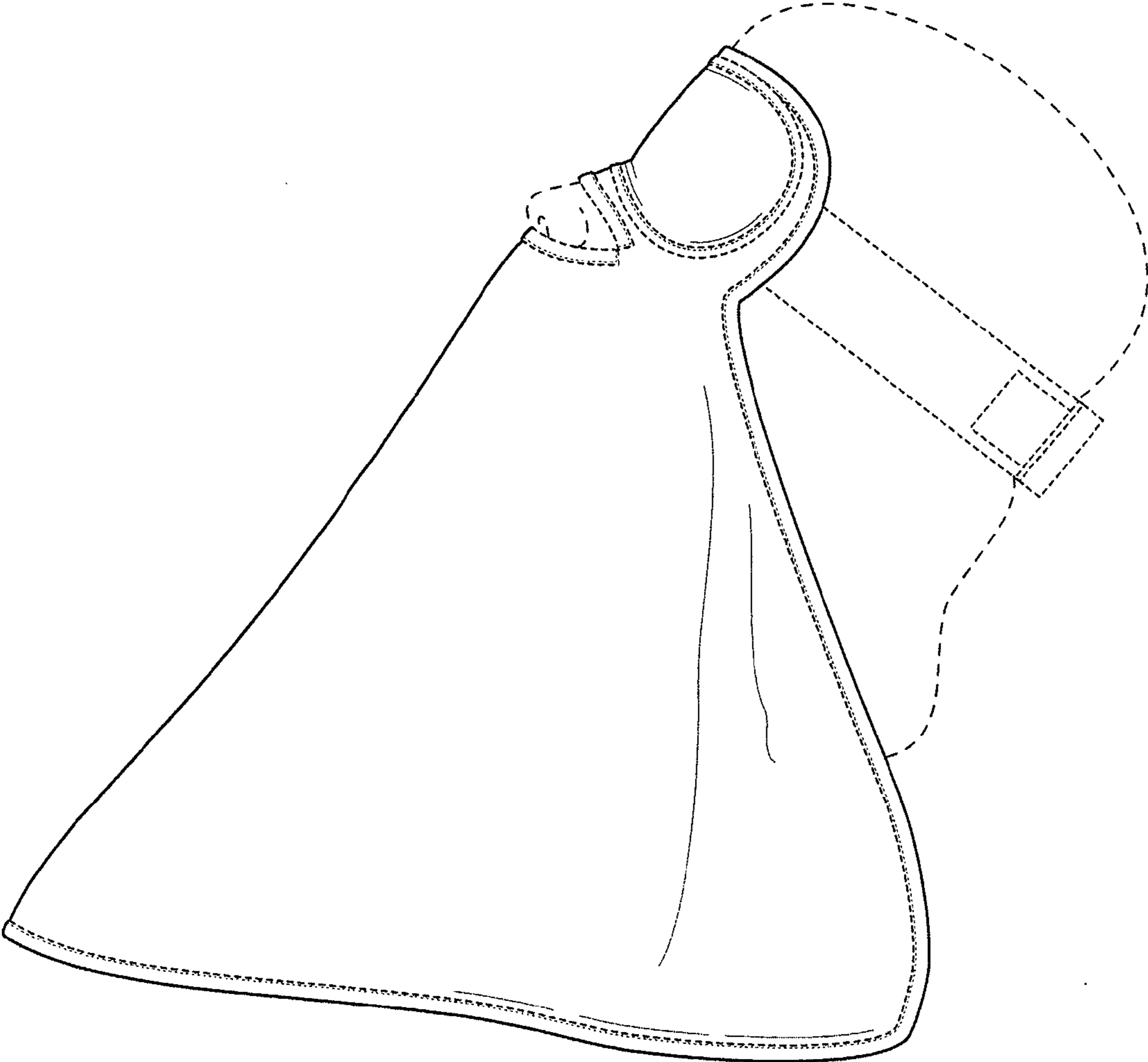
The broken lines shown herein for illustrative purposes or which define the bounds of the claimed design form no part of the claimed design.

**1 Claim, 6 Drawing Sheets**

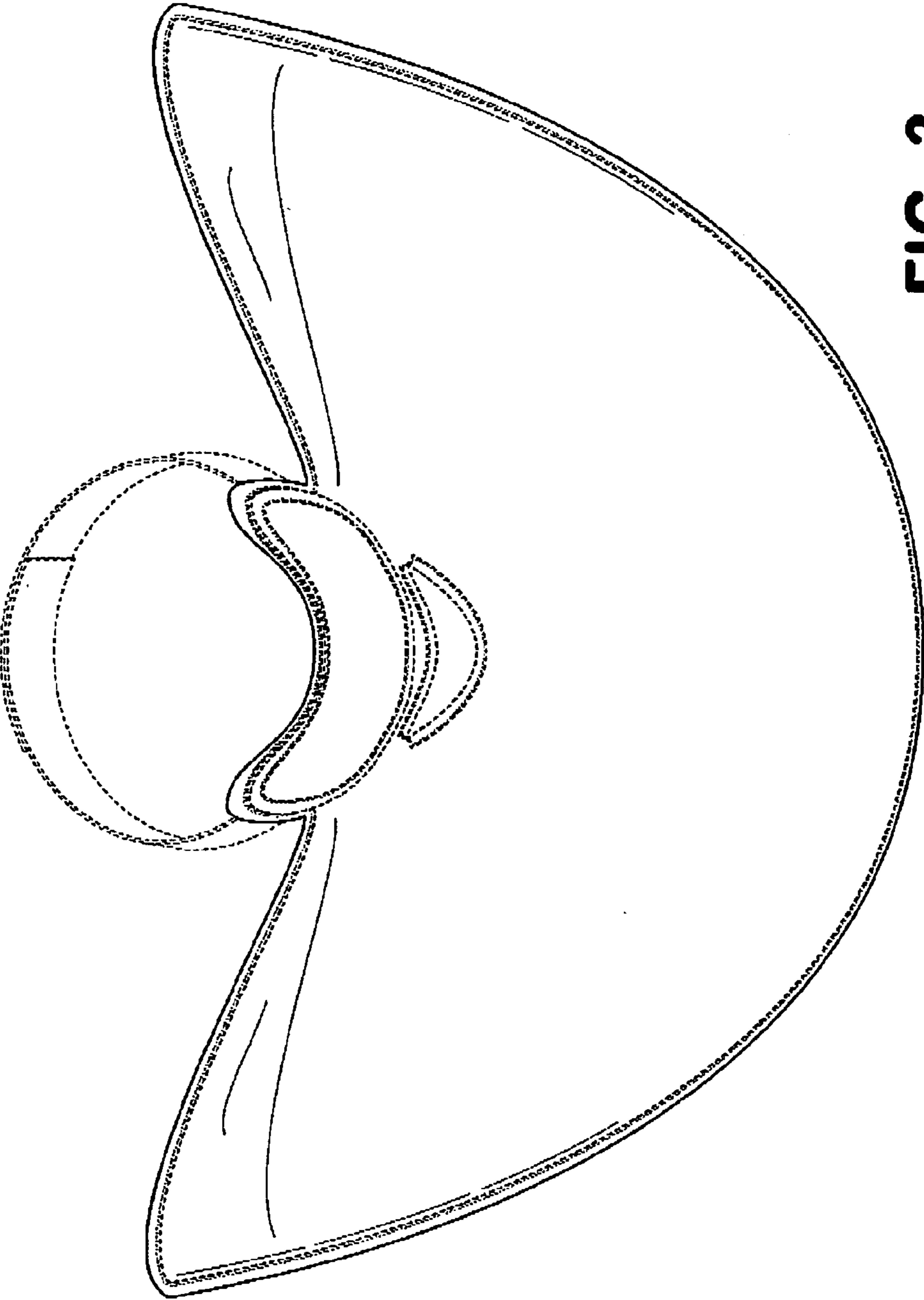




**FIG. 1**



**FIG. 2**



**FIG. 3**

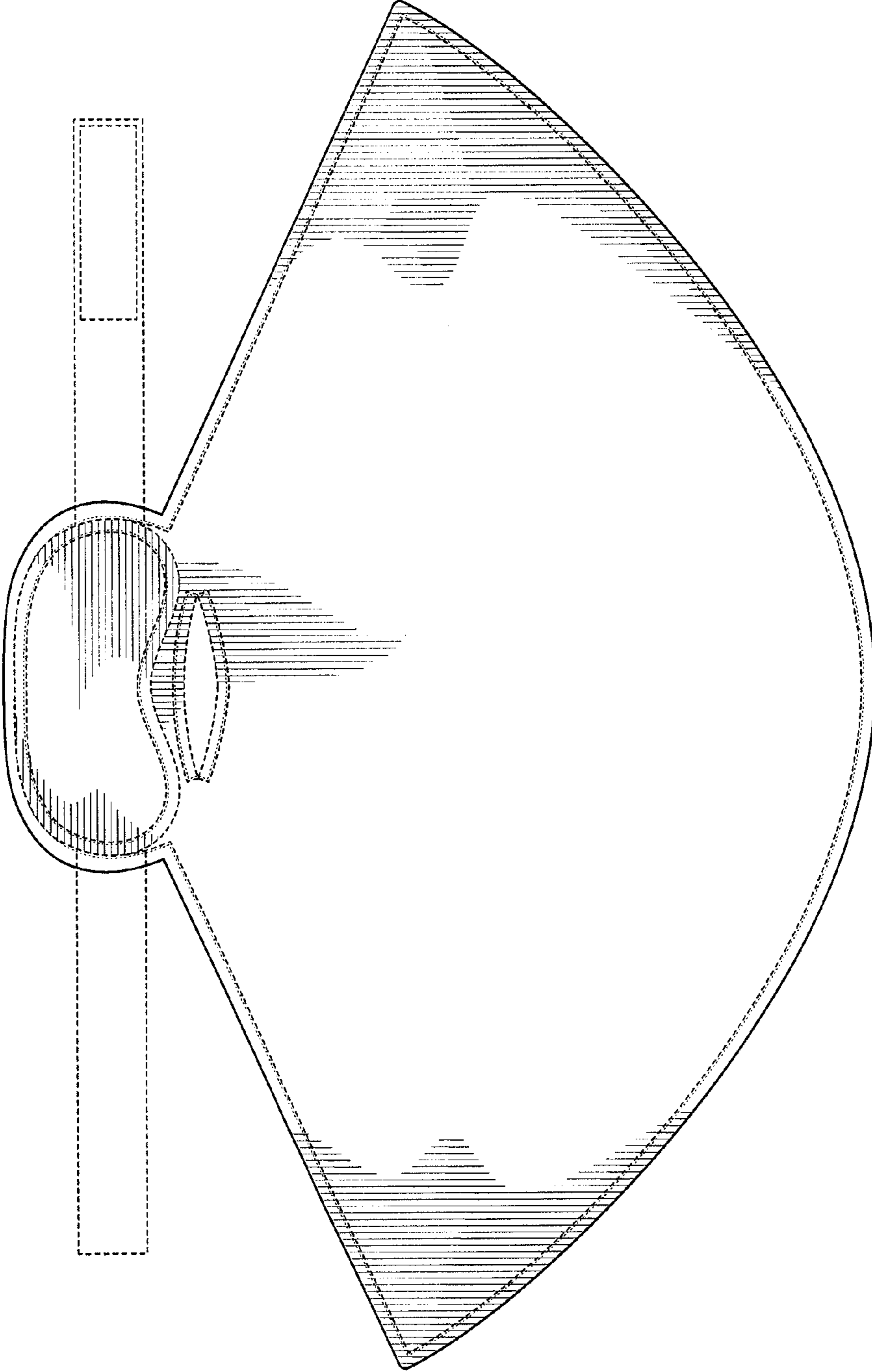
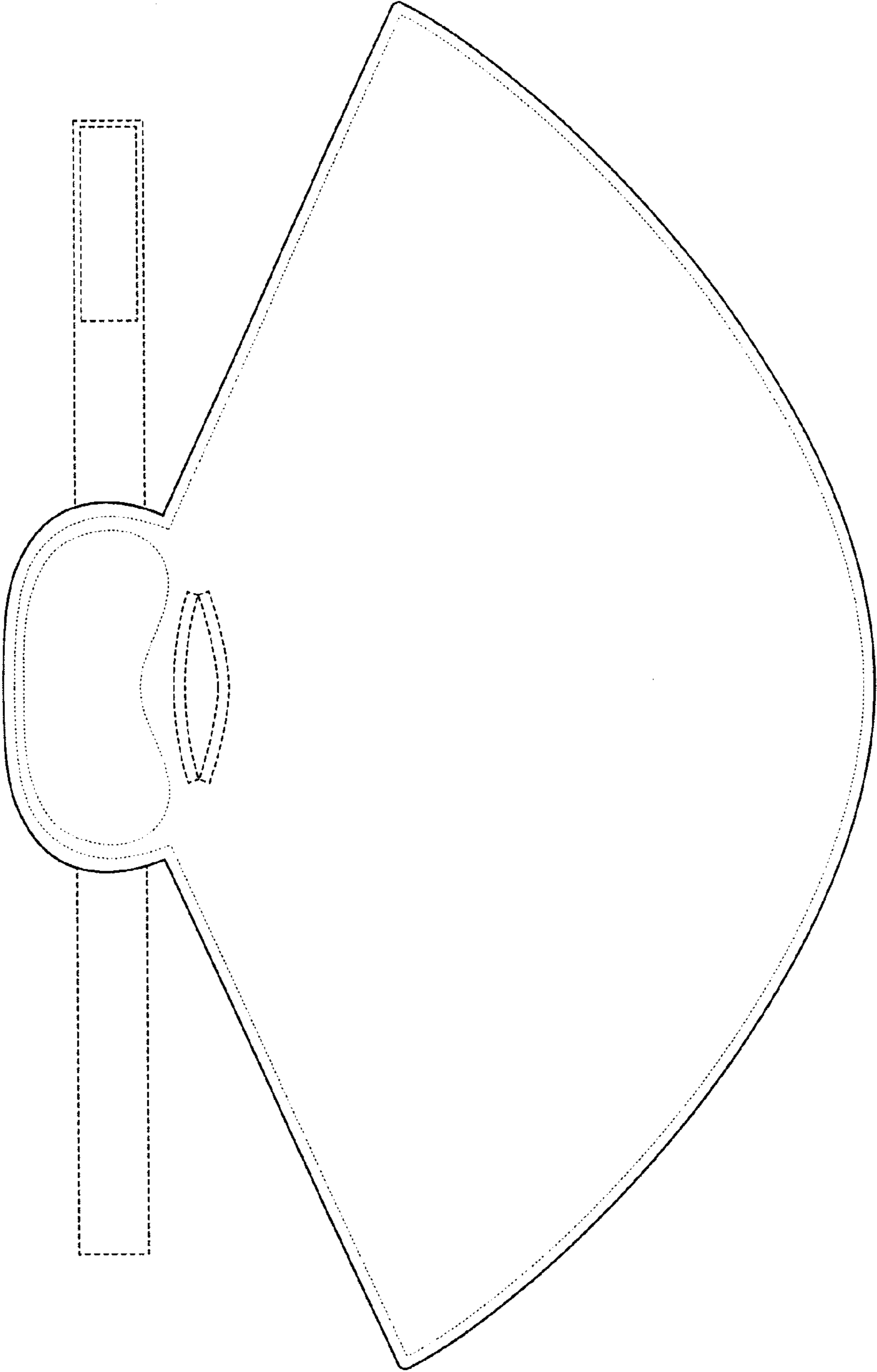
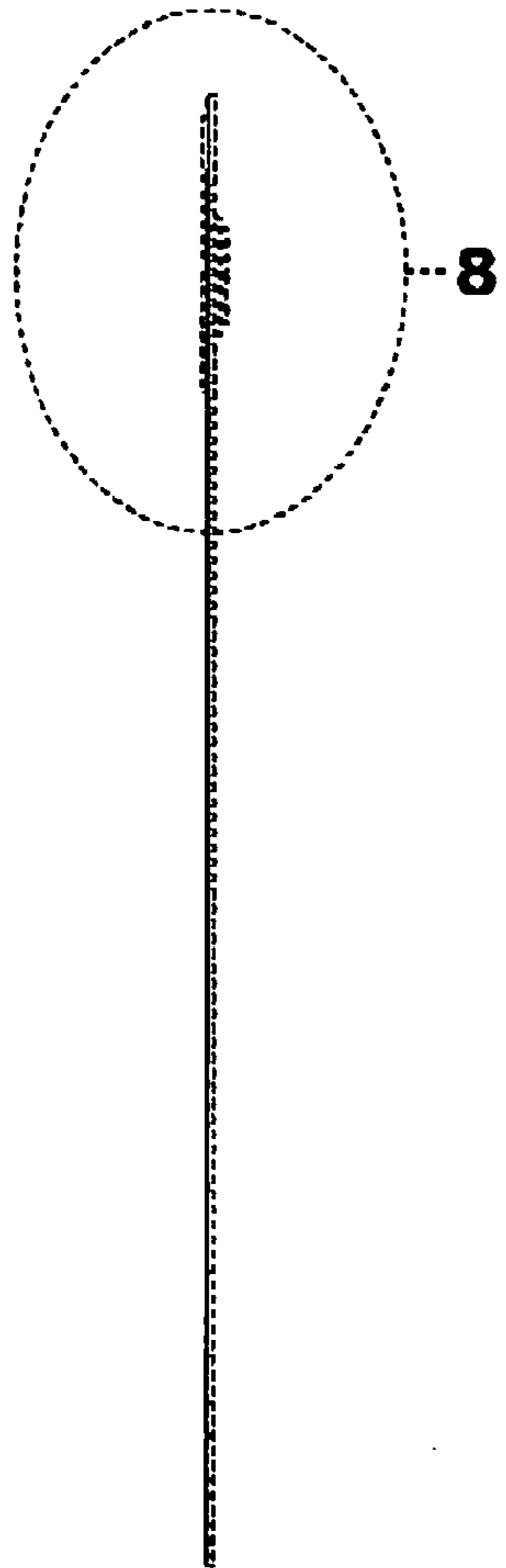


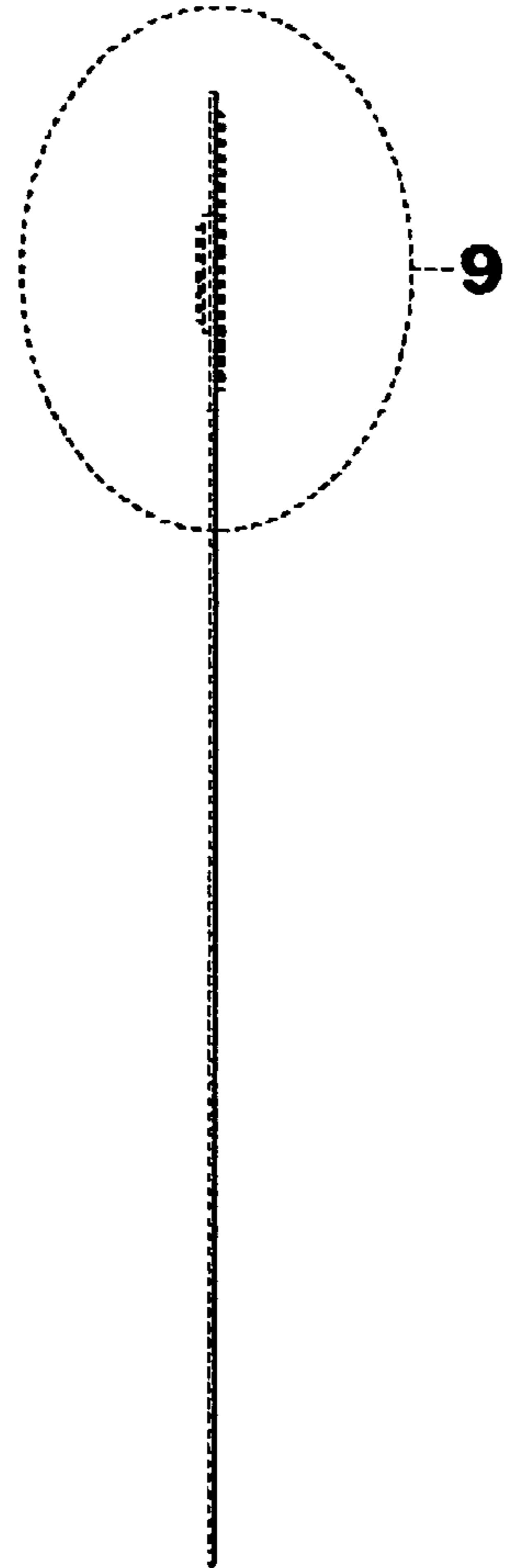
FIG. 4



**FIG. 5**



**FIG. 6**



**FIG. 7**



**FIG. 8**



**FIG. 9**