



US00D609423S

(12) **United States Design Patent**
Aldana

(10) **Patent No.:** **US D609,423 S**

(45) **Date of Patent:** **** Feb. 2, 2010**

(54) **UNIVERSAL TANDEM CADDY**

(76) Inventor: **Salvador J. Aldana**, 4829 E. 2nd St.,
Benicia, CA (US) 94510

(**) Term: **14 Years**

(21) Appl. No.: **29/314,788**

(22) Filed: **Apr. 30, 2009**

(51) **LOC (9) Cl.** **12-02**

(52) **U.S. Cl.** **D34/23**

(58) **Field of Classification Search** D34/12-27,
D34/11, 5, 6; 280/79.11, 79.2, 79.3, 47.34,
280/651

See application file for complete search history.

(56) **References Cited**

U.S. PATENT DOCUMENTS

D327,557 S *	6/1992	Juergens	D34/11
D328,172 S *	7/1992	Juergens	D34/23
6,027,128 A *	2/2000	Stich et al.	280/47.16
D462,493 S *	9/2002	Sivells et al.	D34/12
7,168,714 B2 *	1/2007	Gibbs	280/47.34

* cited by examiner

Primary Examiner—Cynthia E Ramirez

(74) *Attorney, Agent, or Firm*—Paul R. Martin

(57) **CLAIM**

The ornamental design for a universal tandem caddy, as shown and described.

DESCRIPTION

FIG. 1 is a perspective view of the universal tandem caddy of this invention.

FIG. 2 is a plan view of the universal tandem caddy shown in FIG. 1.

FIG. 3 is an elevational view of one side of the universal tandem caddy shown in FIG. 1.

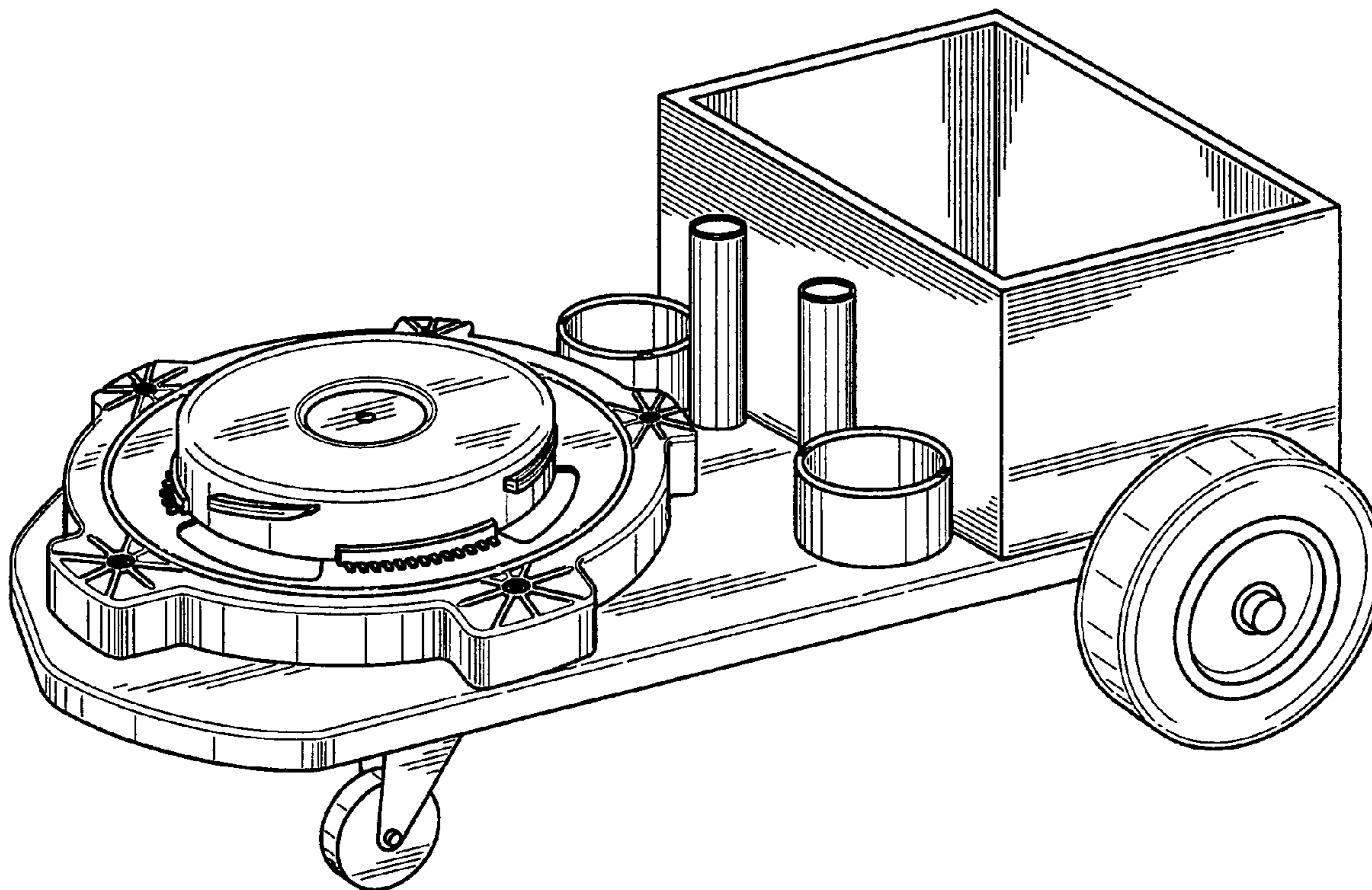
FIG. 4 is an elevational view of the opposite side of the universal tandem caddy shown in FIG. 3.

FIG. 5 is a front end view of the universal tandem caddy shown in FIG. 1.

FIG. 6 is a rear end view of the universal tandem caddy shown in FIG. 1; and,

FIG. 7 is a bottom plan view of the universal tandem caddy shown in FIG. 1.

1 Claim, 6 Drawing Sheets



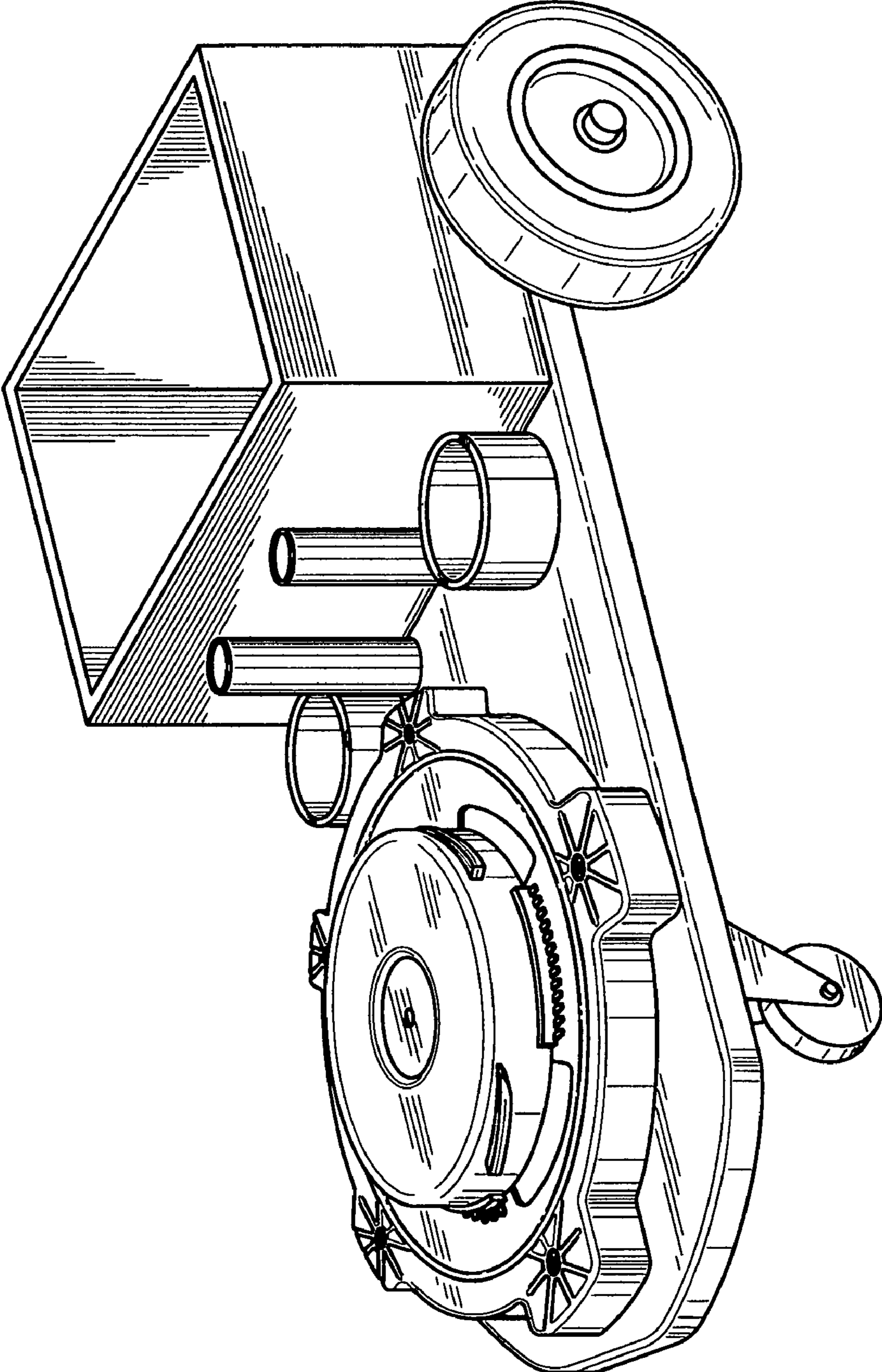


FIG. 1

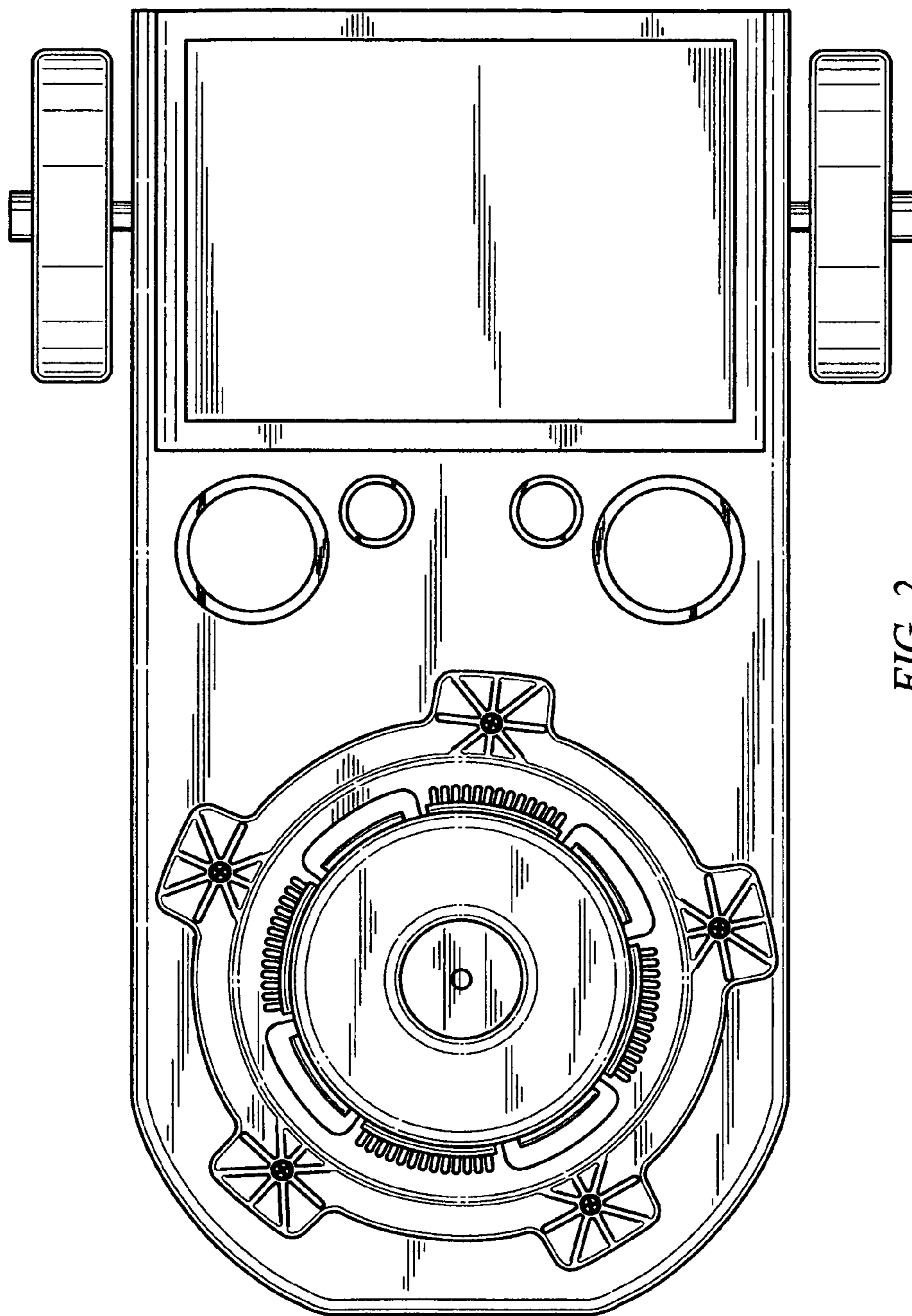


FIG. 2

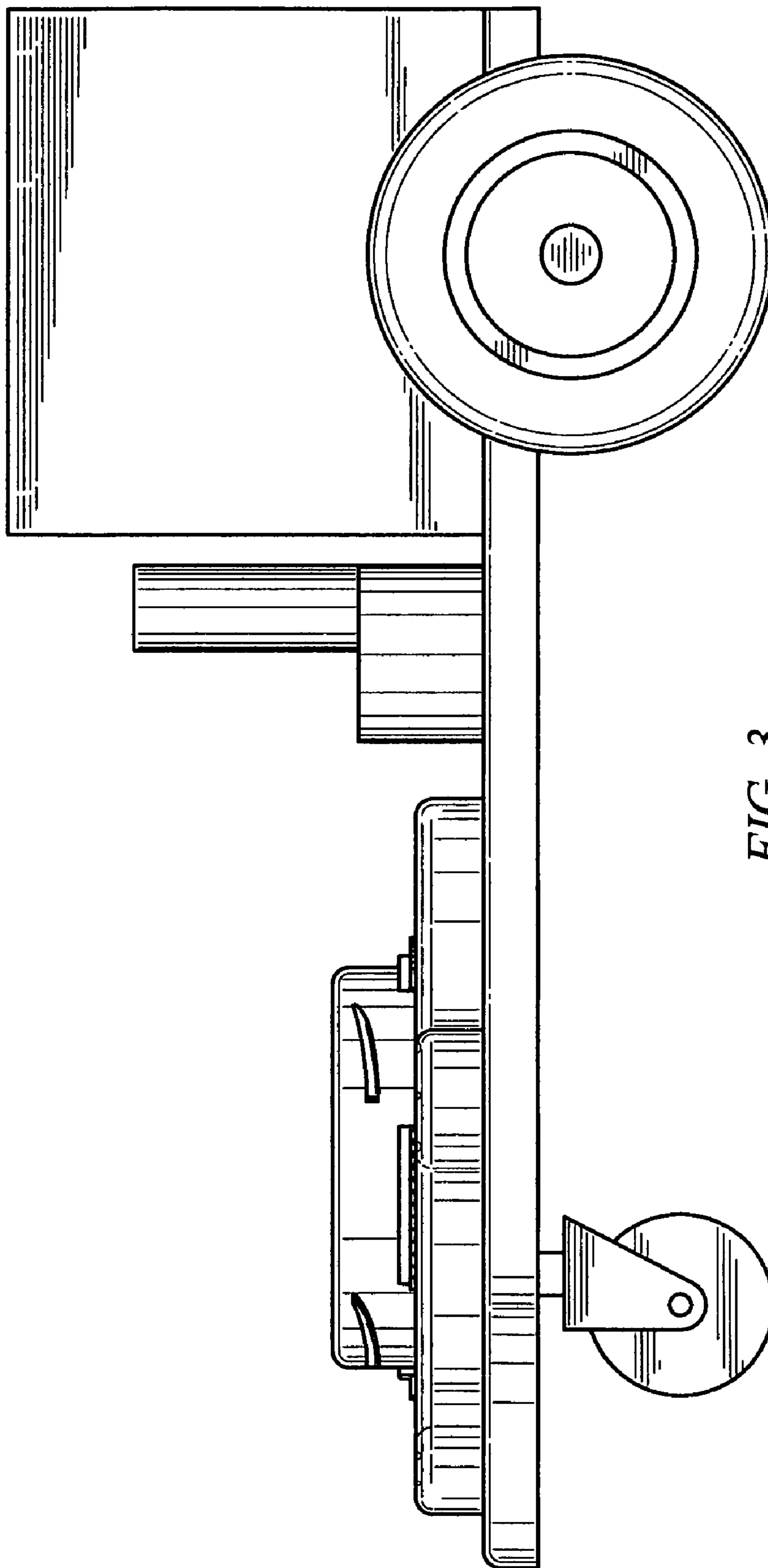


FIG. 3

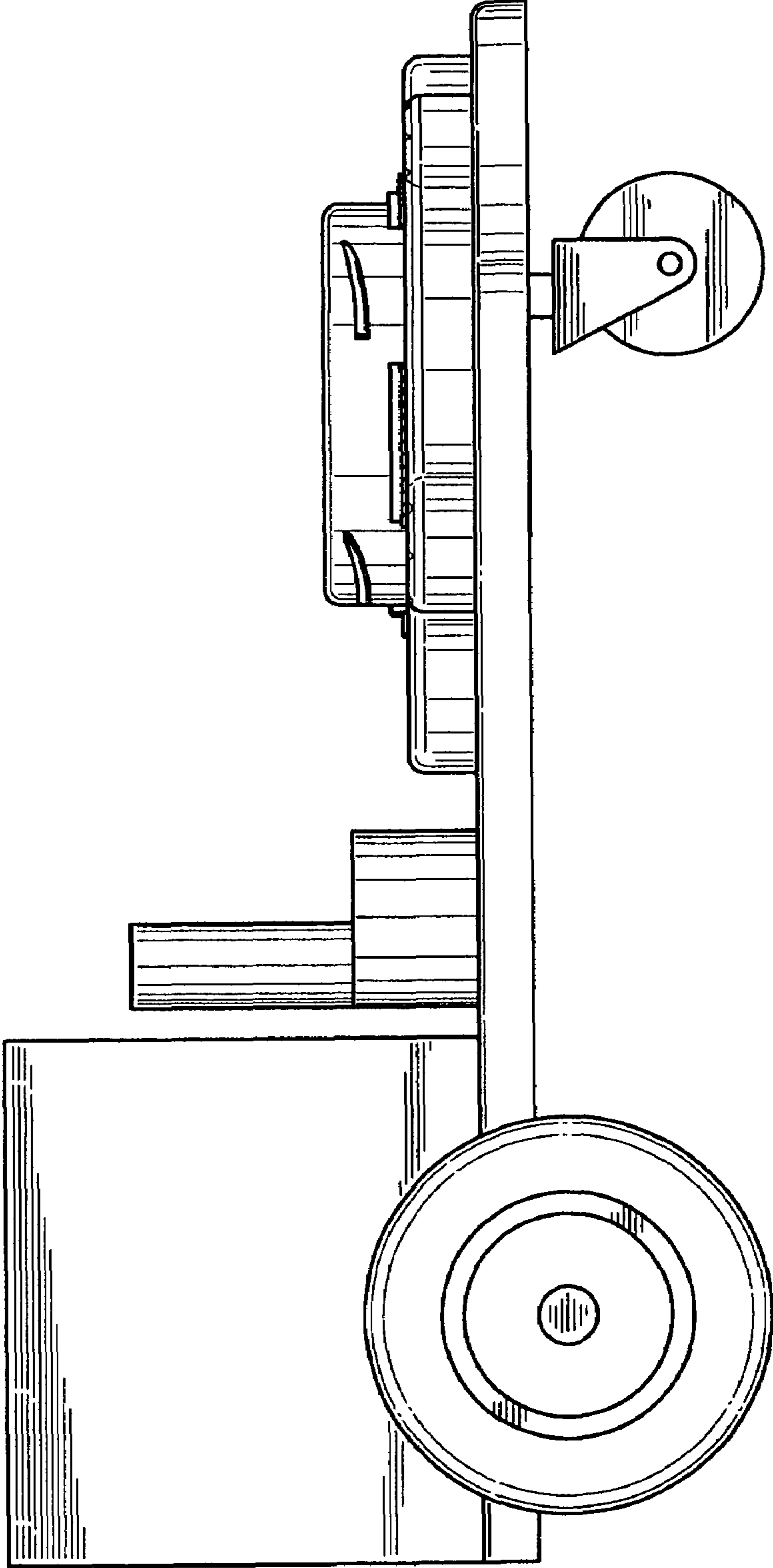


FIG. 4

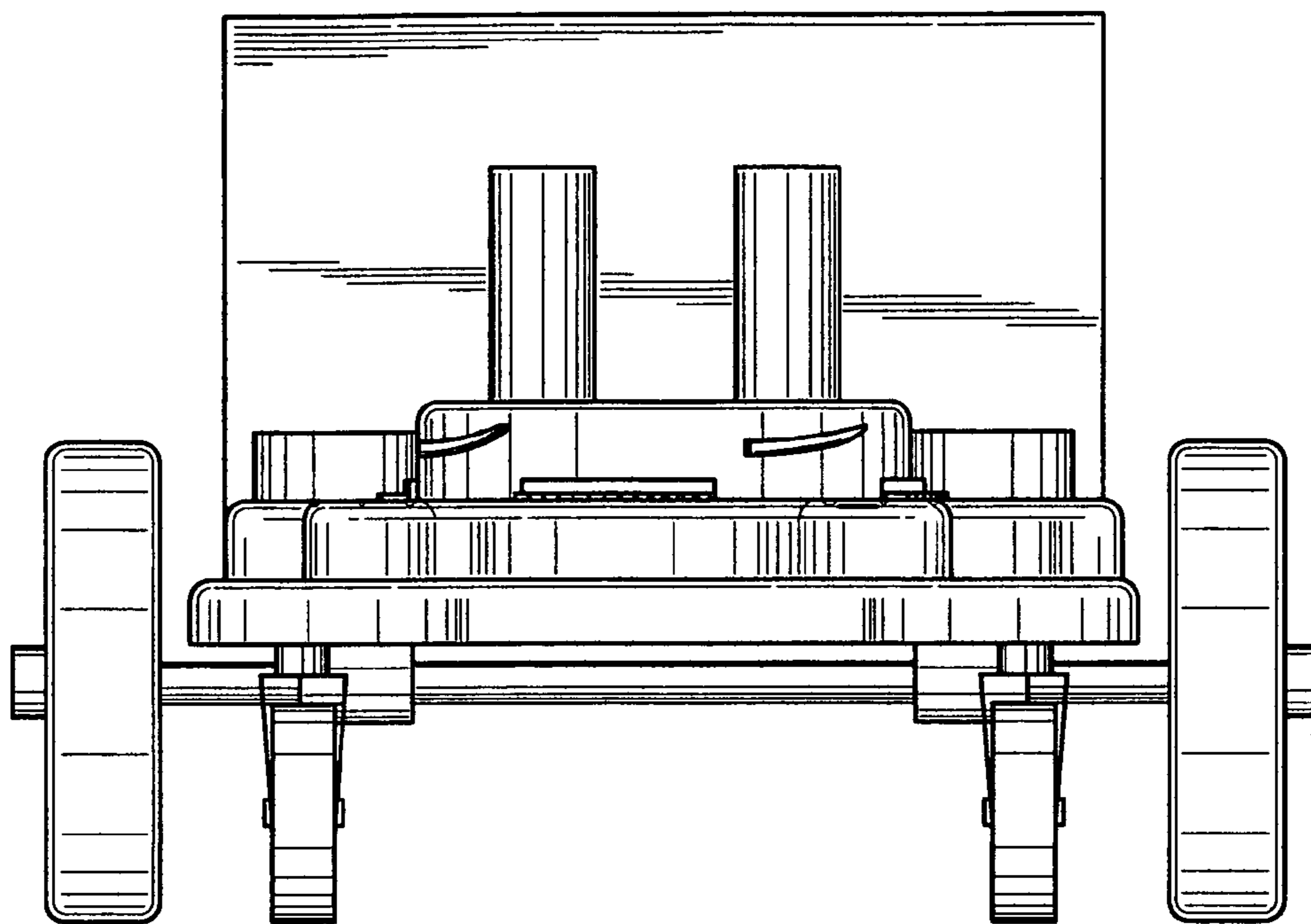


FIG. 5

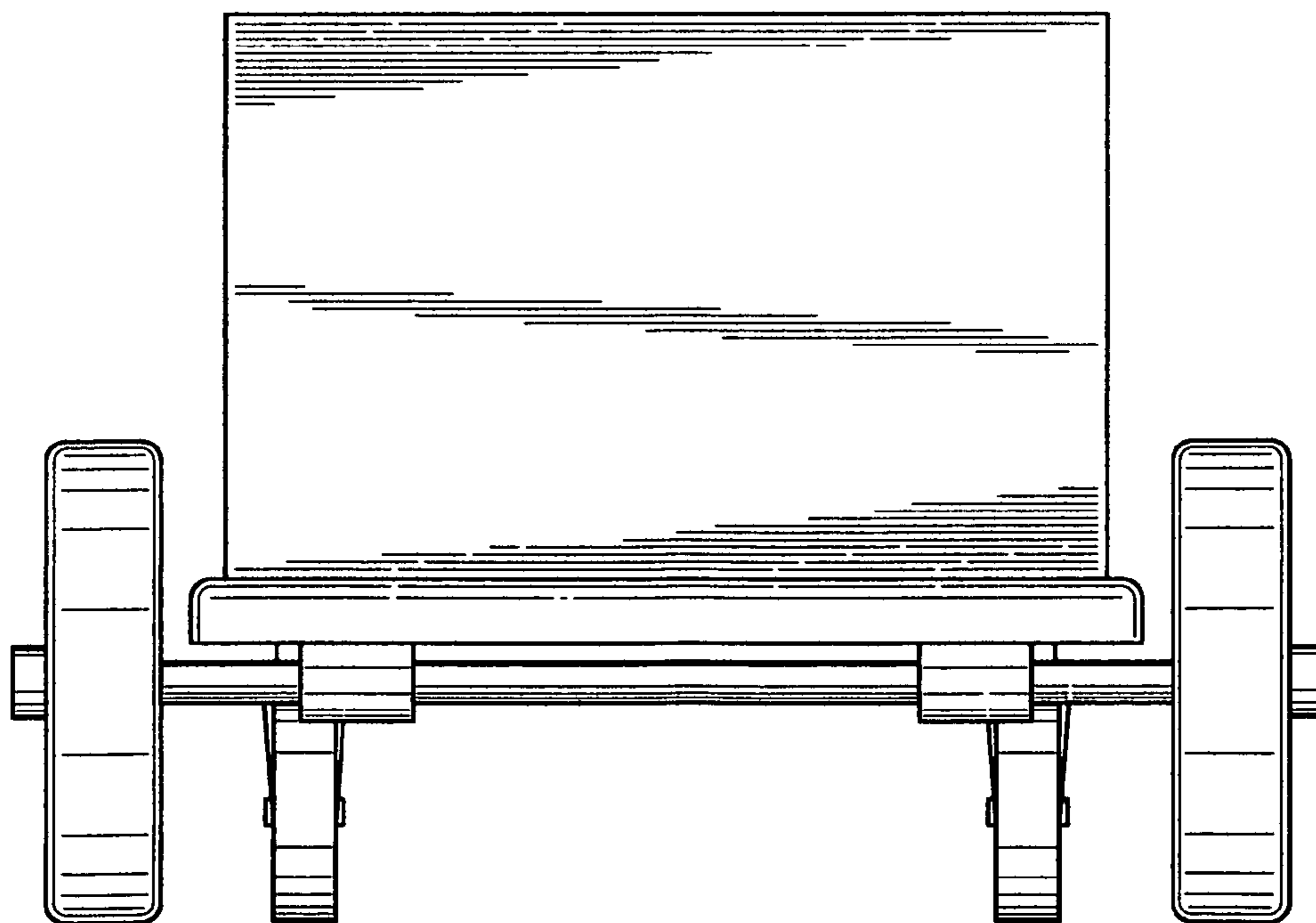


FIG. 6

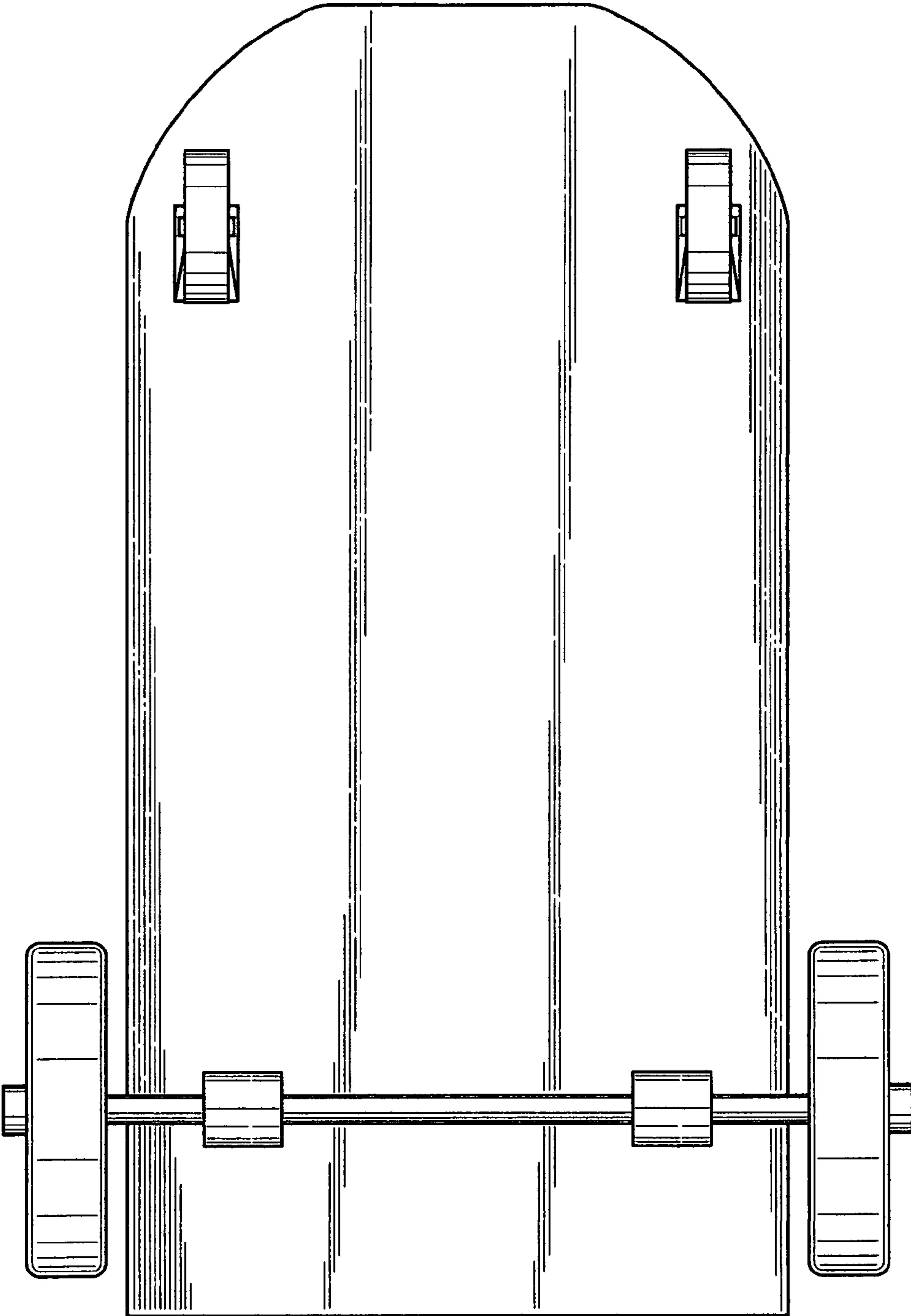


FIG. 7