

US00D609421S

(12) **United States Design Patent**
Oswick

(10) **Patent No.:** **US D609,421 S**

(45) **Date of Patent:** **** Feb. 2, 2010**

(54) **CLEANING WAND**

(76) **Inventor:** **Susan L. Oswick**, 6770 Chaffee Ct., Q1,
Brecksville, OH (US) 44141

(**) **Term:** **14 Years**

(21) **Appl. No.:** **29/302,025**

(22) **Filed:** **Jan. 9, 2008**

(51) **LOC (9) Cl.** **04-01**

(52) **U.S. Cl.** **D32/50**

(58) **Field of Classification Search** D32/50,
D32/40, 51-52, 49; 15/115, 119.2, 116.2,
15/118, 229.3, 229.6-229.8, 228, 220.1;
428/198; 451/515, 190, 209.1, 288, 231

See application file for complete search history.

(56) **References Cited**

U.S. PATENT DOCUMENTS

2,301,586	A *	11/1942	Rubin	15/147.2
D274,565	S *	7/1984	Smith et al.	D32/44
D288,974	S *	3/1987	Bokmiller et al.	D32/45
5,390,390	A *	2/1995	Kresse et al.	15/228
D490,952	S *	6/2004	Ajluni	D32/50
D539,496	S *	3/2007	Sickler et al.	D32/41
D545,019	S *	6/2007	Harper et al.	D32/50
D563,068	S *	2/2008	Jiang et al.	D32/50

D563,618	S *	3/2008	Jiang et al.	D32/50
D578,719	S *	10/2008	Lofton	D32/42

* cited by examiner

Primary Examiner—Cathron C Brooks

Assistant Examiner—Austin Murphy

(74) *Attorney, Agent, or Firm*—Pearne & Gordon LLP

(57) **CLAIM**

The ornamental design for a cleaning wand, as shown and described.

DESCRIPTION

FIG. 1 is a perspective view of a cleaning wand, including an arm rotatable about a base, showing my new design;

FIG. 2 is a side elevational view thereof;

FIG. 3 is a front elevational view thereof;

FIG. 4 is a bottom plan view thereof;

FIG. 5 is a top plan view thereof; and,

FIG. 6 is a perspective view similar to FIG. 1, in which the arm of the wand is rotated to a tilted position relative to the base, the arm may be rotated away from or toward the viewer in FIG. 6, and through an angle of about 180° relative to the base.

1 Claim, 2 Drawing Sheets

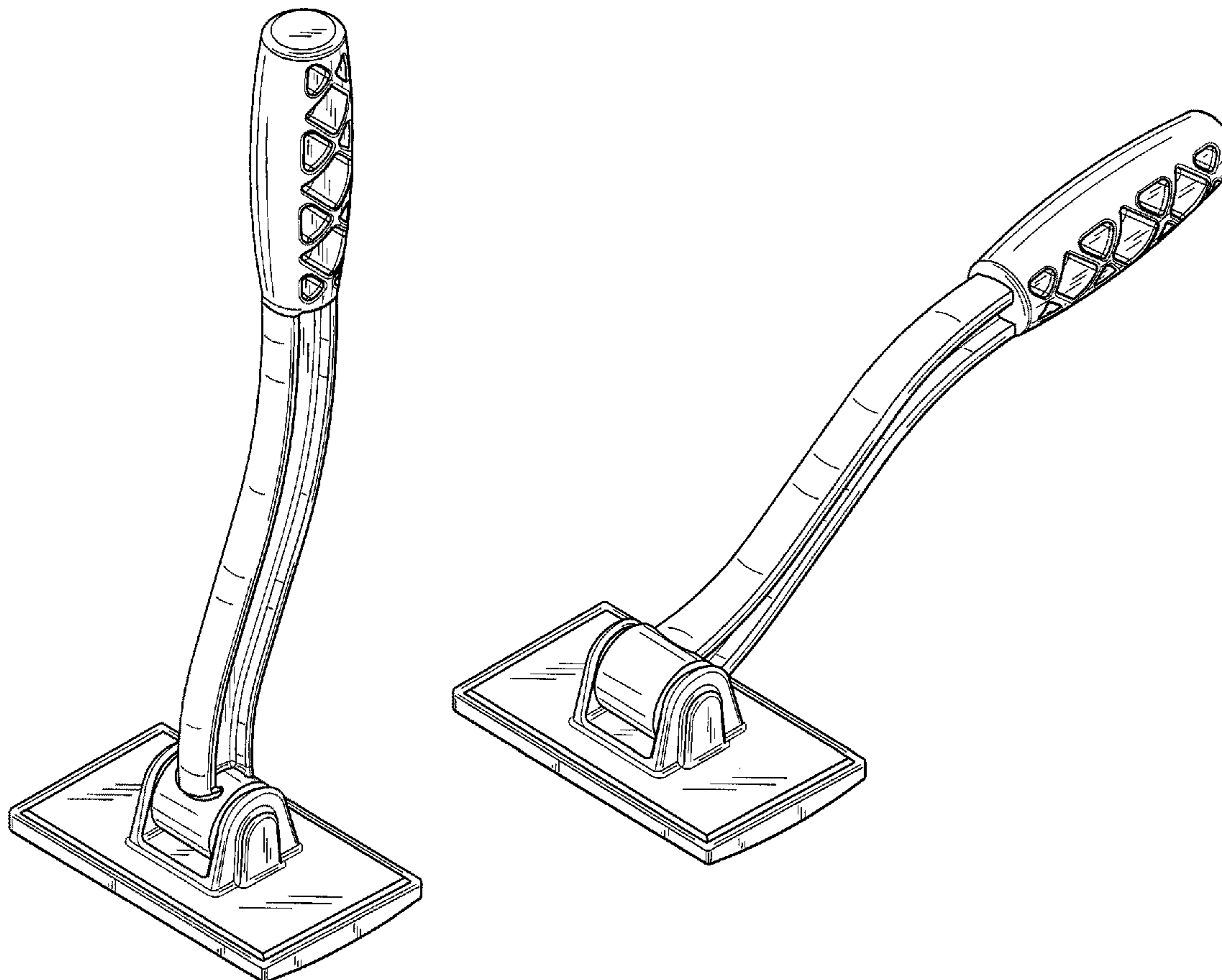


FIG. 1

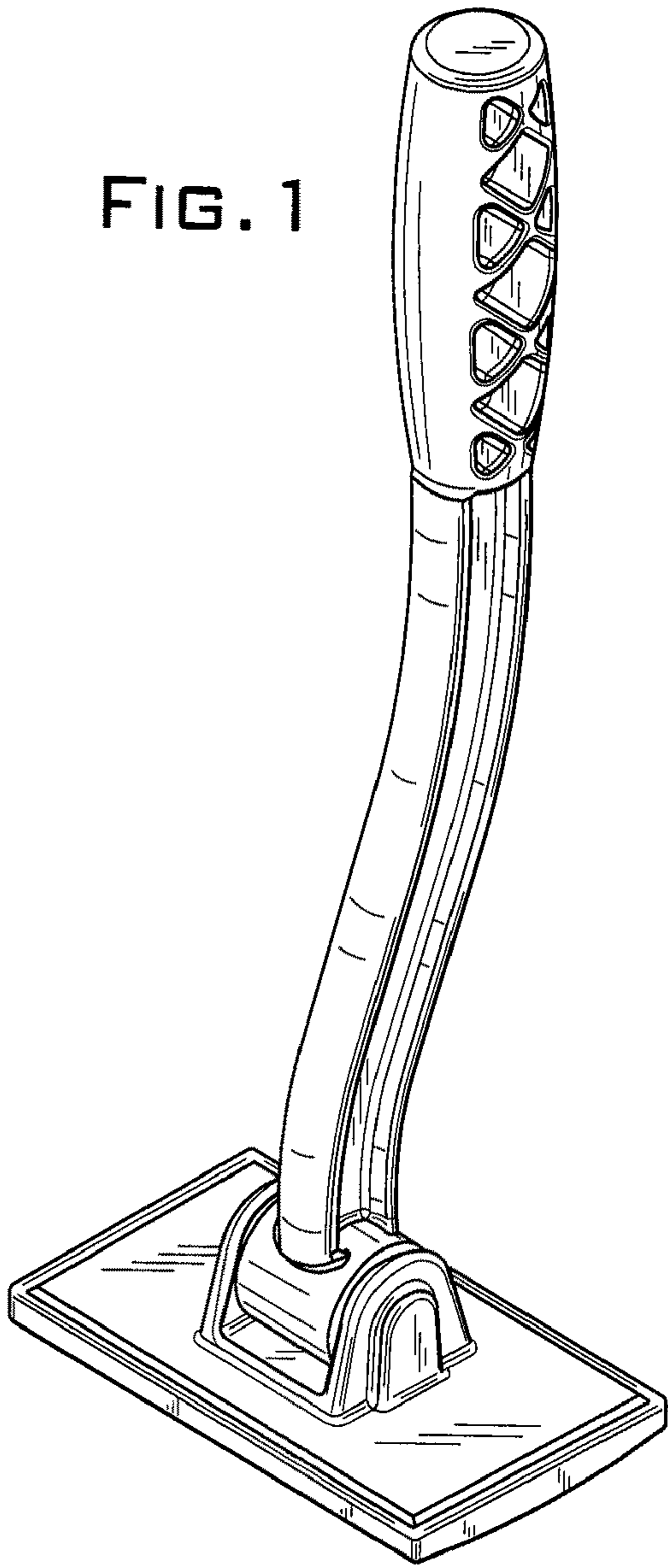


FIG. 6

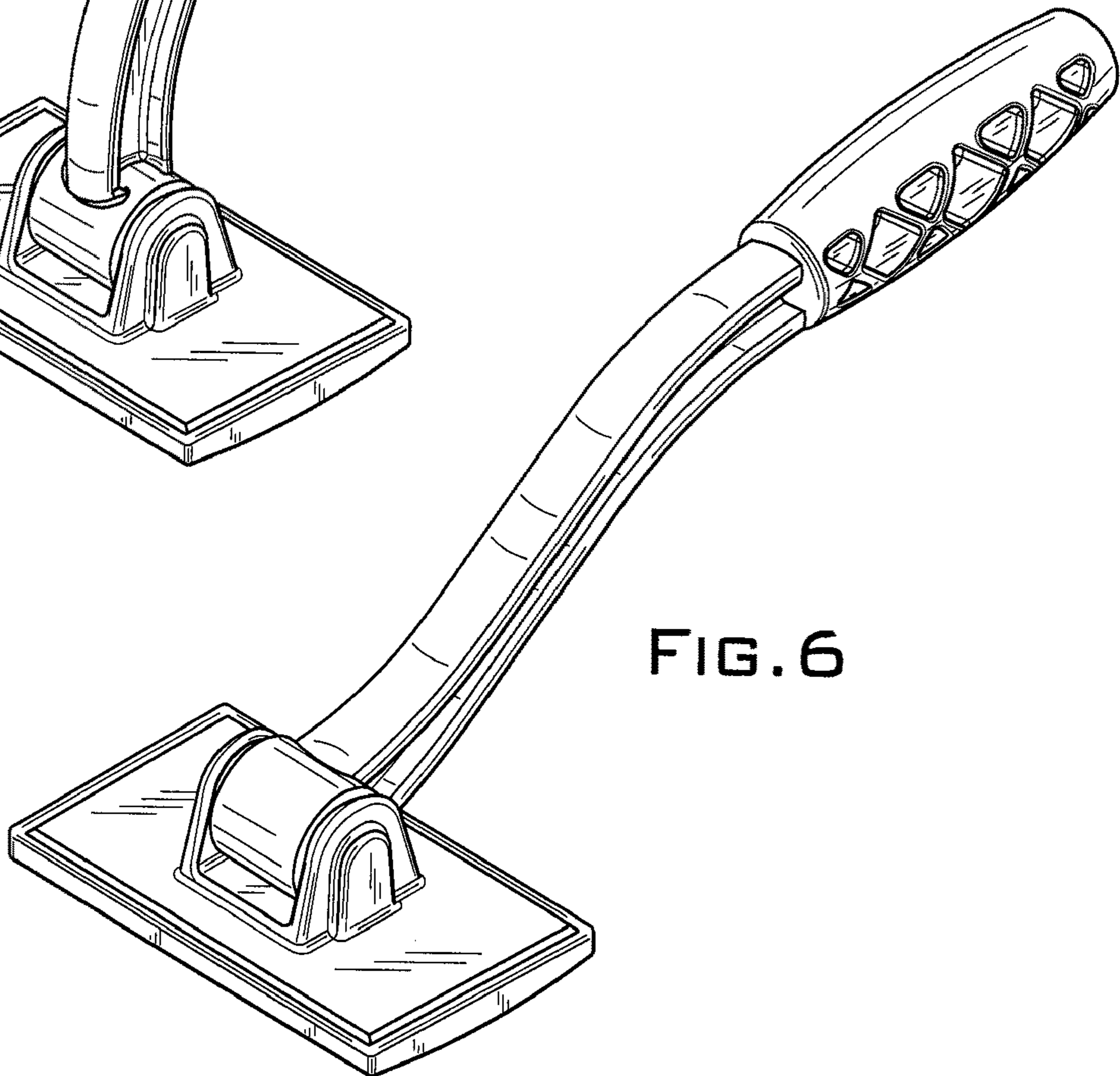


FIG. 5

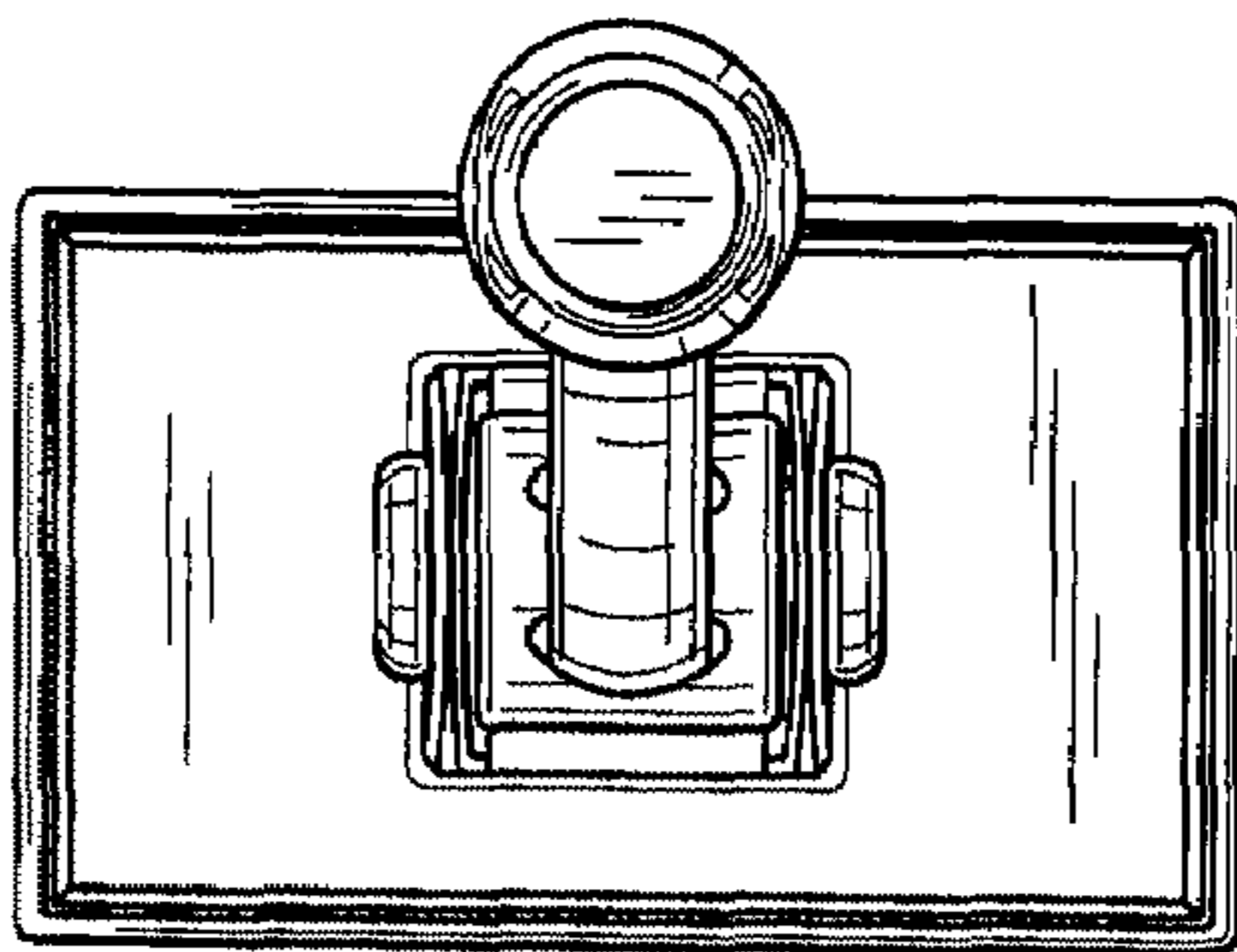


FIG. 3

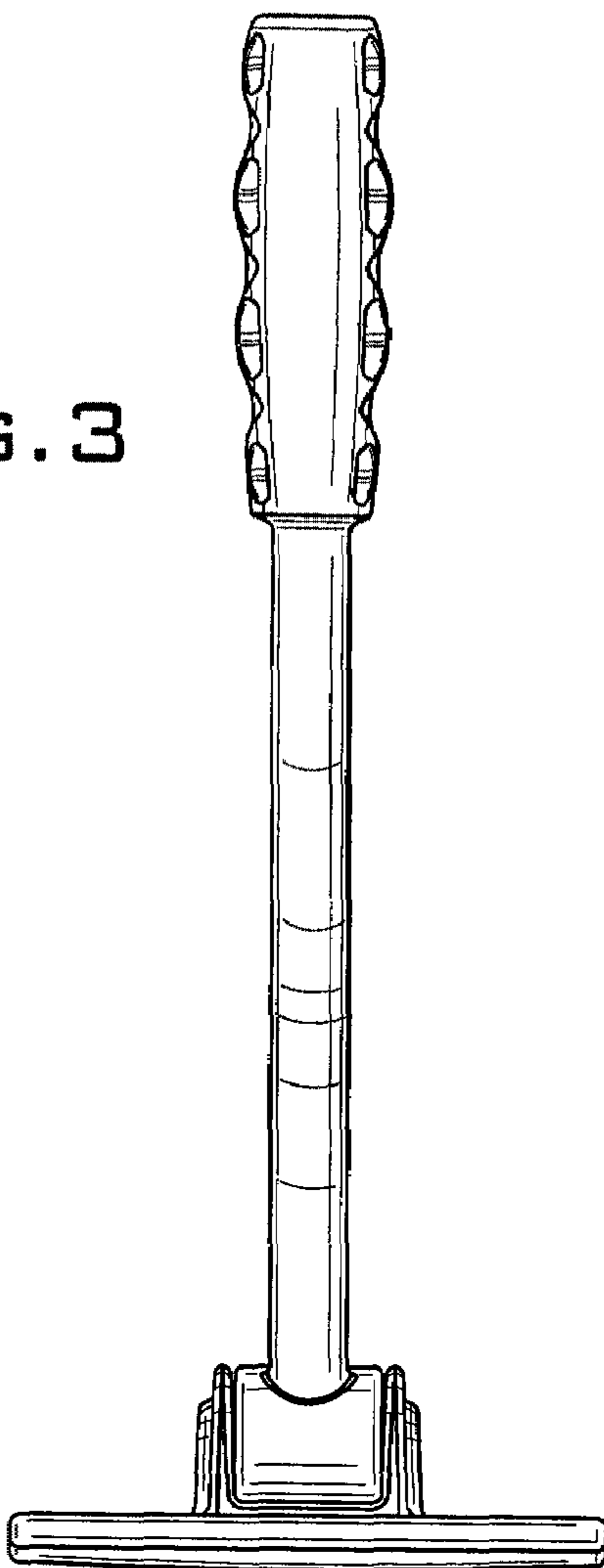


FIG. 2

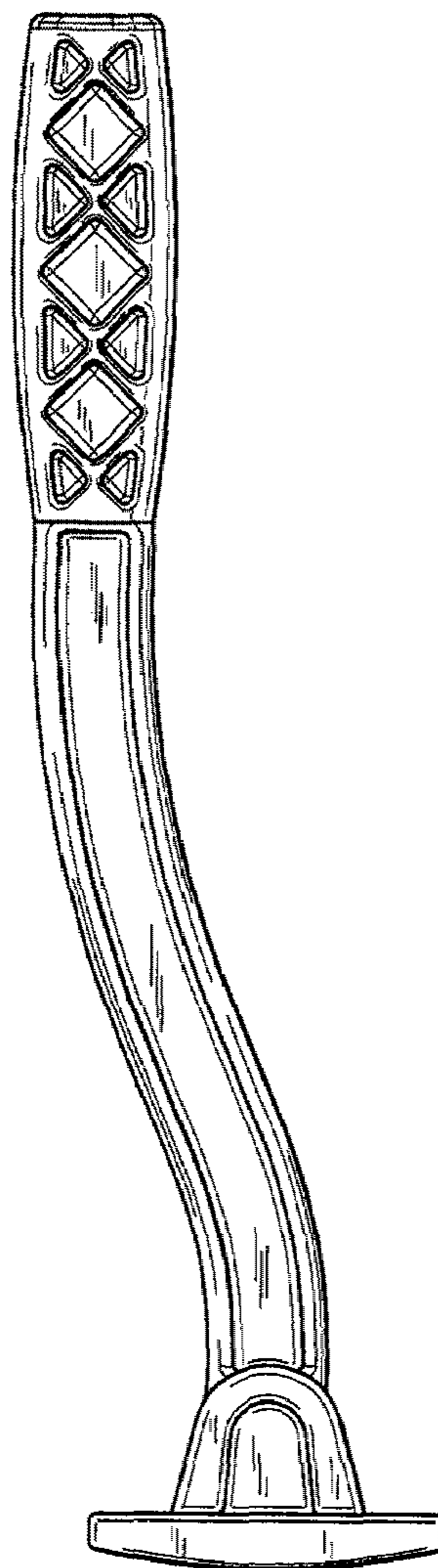


FIG. 4

