



US00D609419S

(12) **United States Design Patent**
Santiago

(10) **Patent No.:** **US D609,419 S**
(45) **Date of Patent:** **** Feb. 2, 2010**

(54) **VACUUM CLEANER MODULE**

(75) Inventor: **Jose Carlito Santiago**, Grand Rapids, MI (US)

(73) Assignee: **BISSELL Homecare, Inc.**, Grand Rapids, MI (US)

(**) Term: **14 Years**

(21) Appl. No.: **29/334,084**

(22) Filed: **Mar. 20, 2009**

(51) **LOC (9) Cl.** **15-05**

(52) **U.S. Cl.** **D32/31**

(58) **Field of Classification Search** D32/22, D32/30-31, 34; 15/320-321, 329, 350-354, 15/362, 410, 411, 347; 55/366, 429, 315, 55/356, 372, 337, DIG. 3, 345; 95/271
See application file for complete search history.

(56) **References Cited**

U.S. PATENT DOCUMENTS

| | | | | |
|--------------|---------|----------------|-------|--------|
| D462,489 S * | 9/2002 | Roberts et al. | | D32/31 |
| D488,894 S * | 4/2004 | Leyden | | D32/22 |
| D493,587 S * | 7/2004 | Downey et al. | | D32/31 |
| D532,943 S | 11/2006 | Haranaka | | |
| D533,697 S * | 12/2006 | Ikeno et al. | | D32/22 |

| | | | | |
|-------------------|---------|-----------------|-------|--------|
| 7,152,274 B2 * | 12/2006 | Alford et al. | | 15/352 |
| 7,377,008 B2 * | 5/2008 | Park et al. | | 15/329 |
| D598,617 S * | 8/2009 | Santiago | | D32/31 |
| 2006/0042039 A1 * | 3/2006 | McDowell et al. | | 15/353 |
| 2007/0226946 A1 * | 10/2007 | Best | | 15/329 |

* cited by examiner

Primary Examiner—Ruth McInroy

(74) *Attorney, Agent, or Firm*—McGarry Bair PC

(57) **CLAIM**

The ornamental design for a vacuum cleaner module, as shown and described.

DESCRIPTION

FIG. 1 is a front perspective view of a vacuum cleaner module which embodies our design;

FIG. 2 is a front view thereof;

FIG. 3 is a rear view thereof;

FIG. 4 is a left side view thereof;

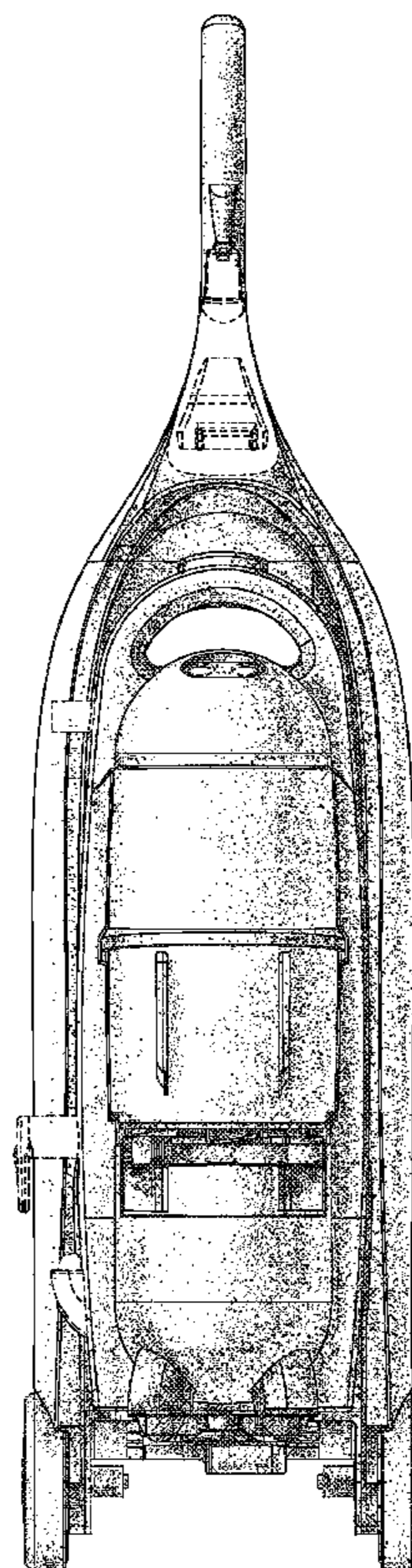
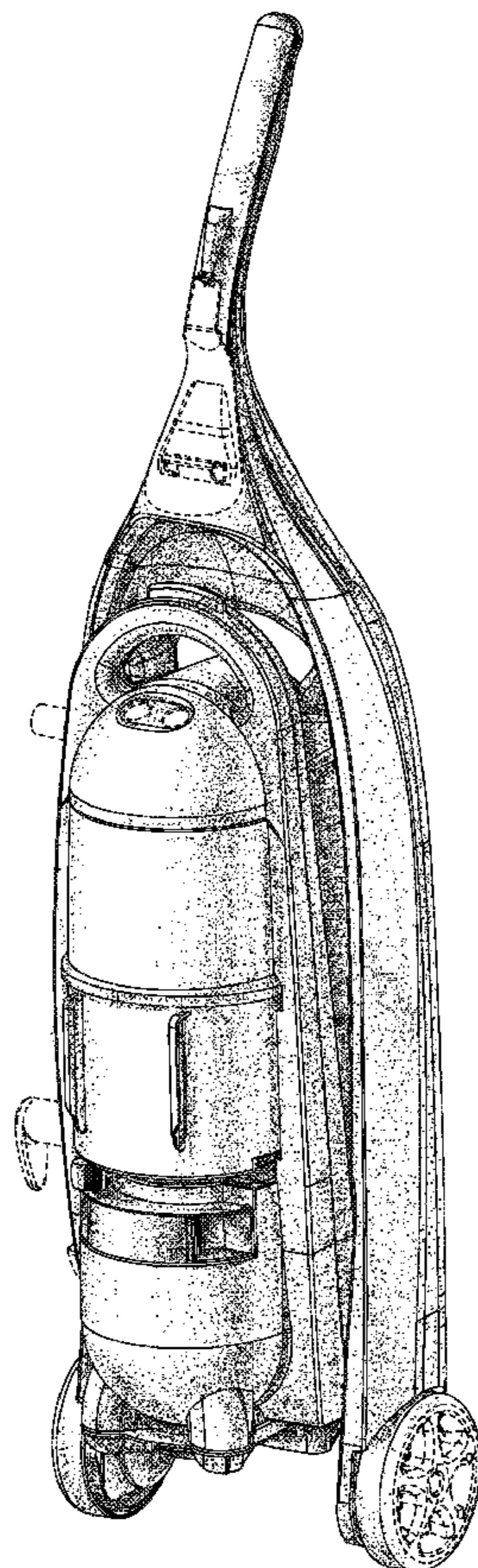
FIG. 5 is a right side view thereof; and

FIG. 6 is a top side view thereof; and,

FIG. 7 is a bottom view thereof.

The material in dotted lines forms no part of our design.

1 Claim, 4 Drawing Sheets



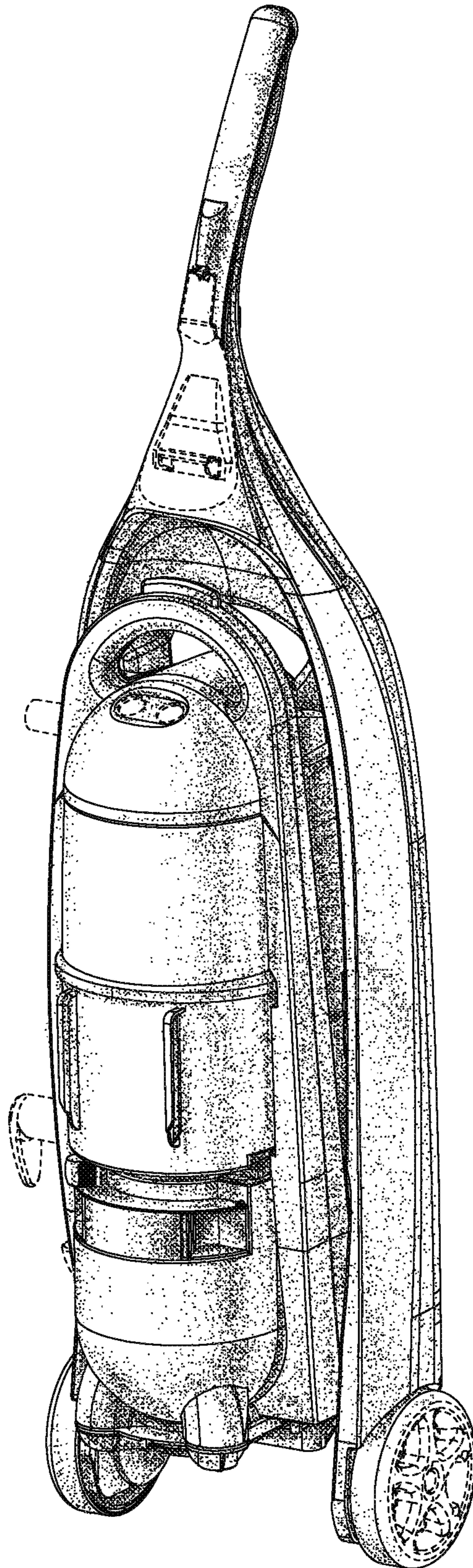


Fig. 1

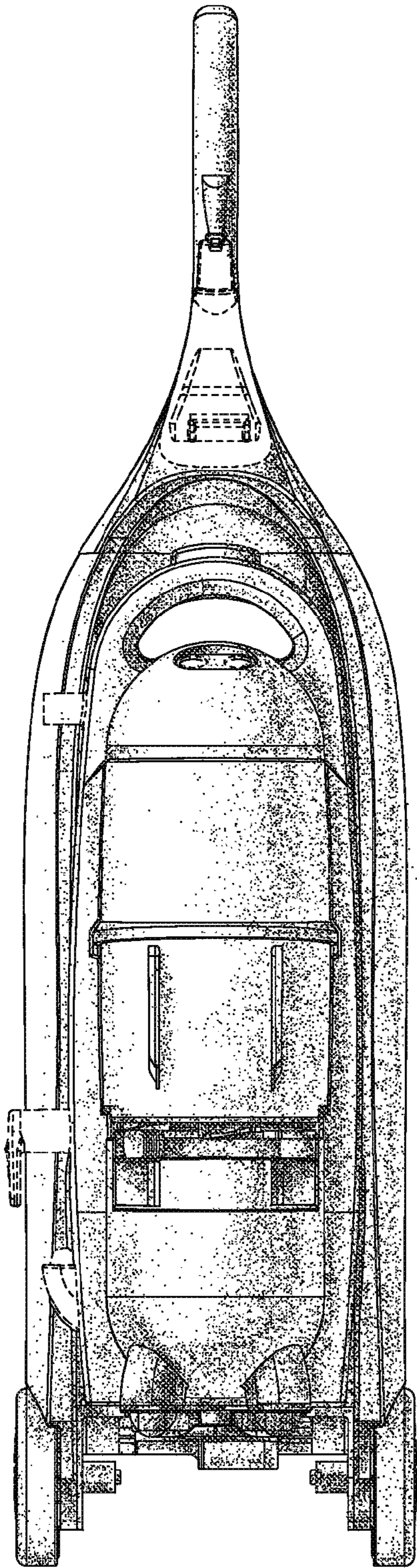


Fig. 2

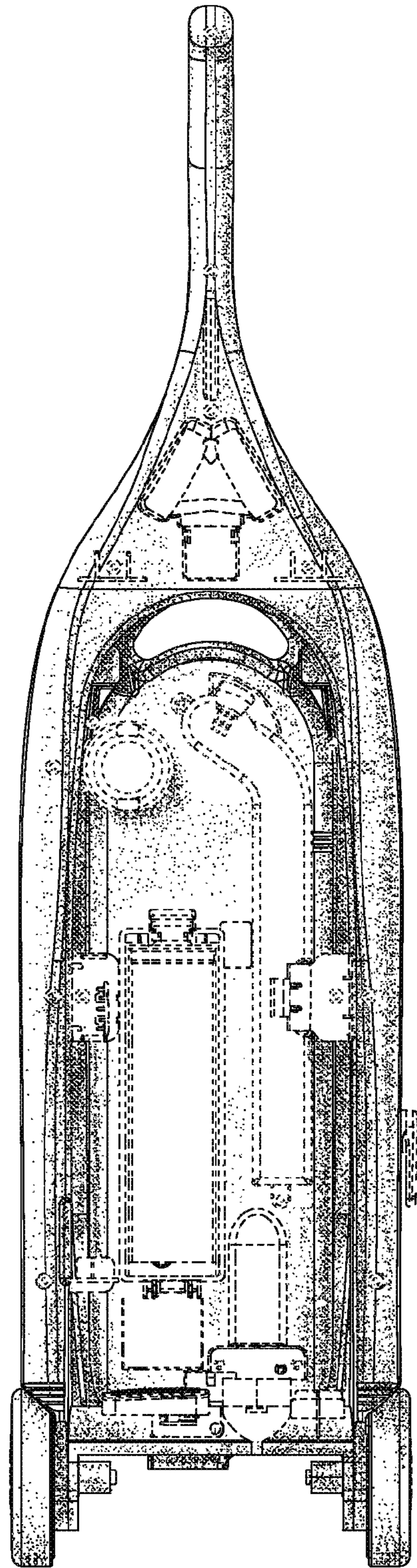


Fig. 3

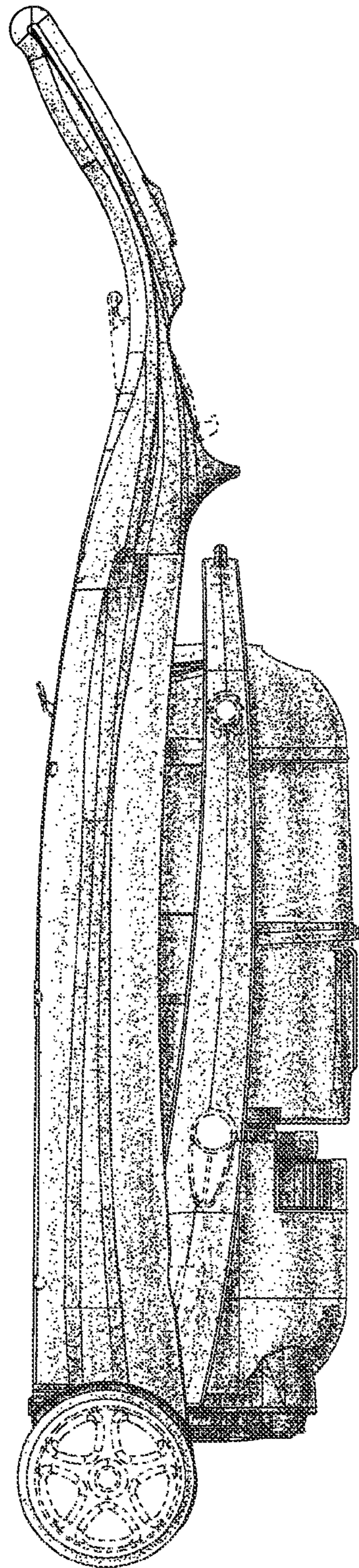


Fig. 4

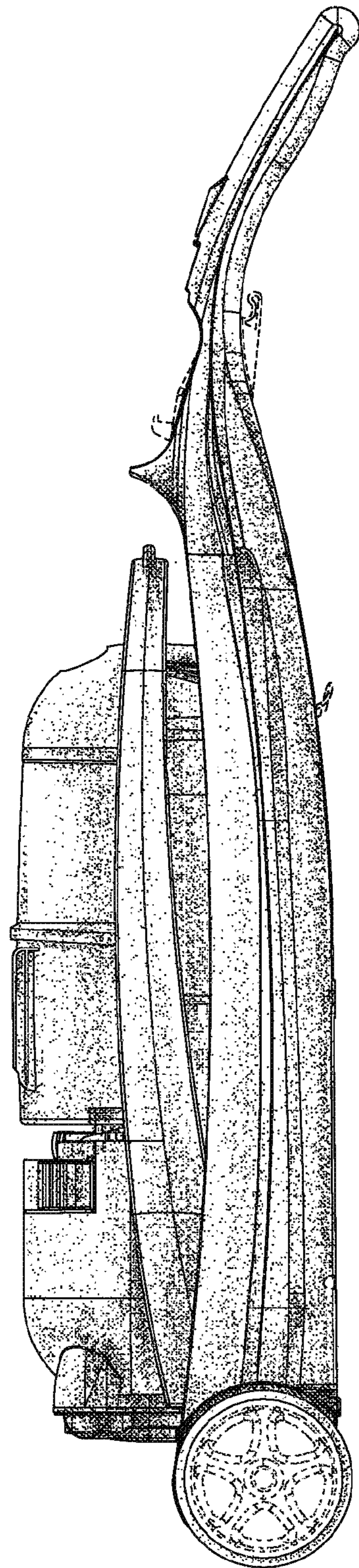


Fig. 5

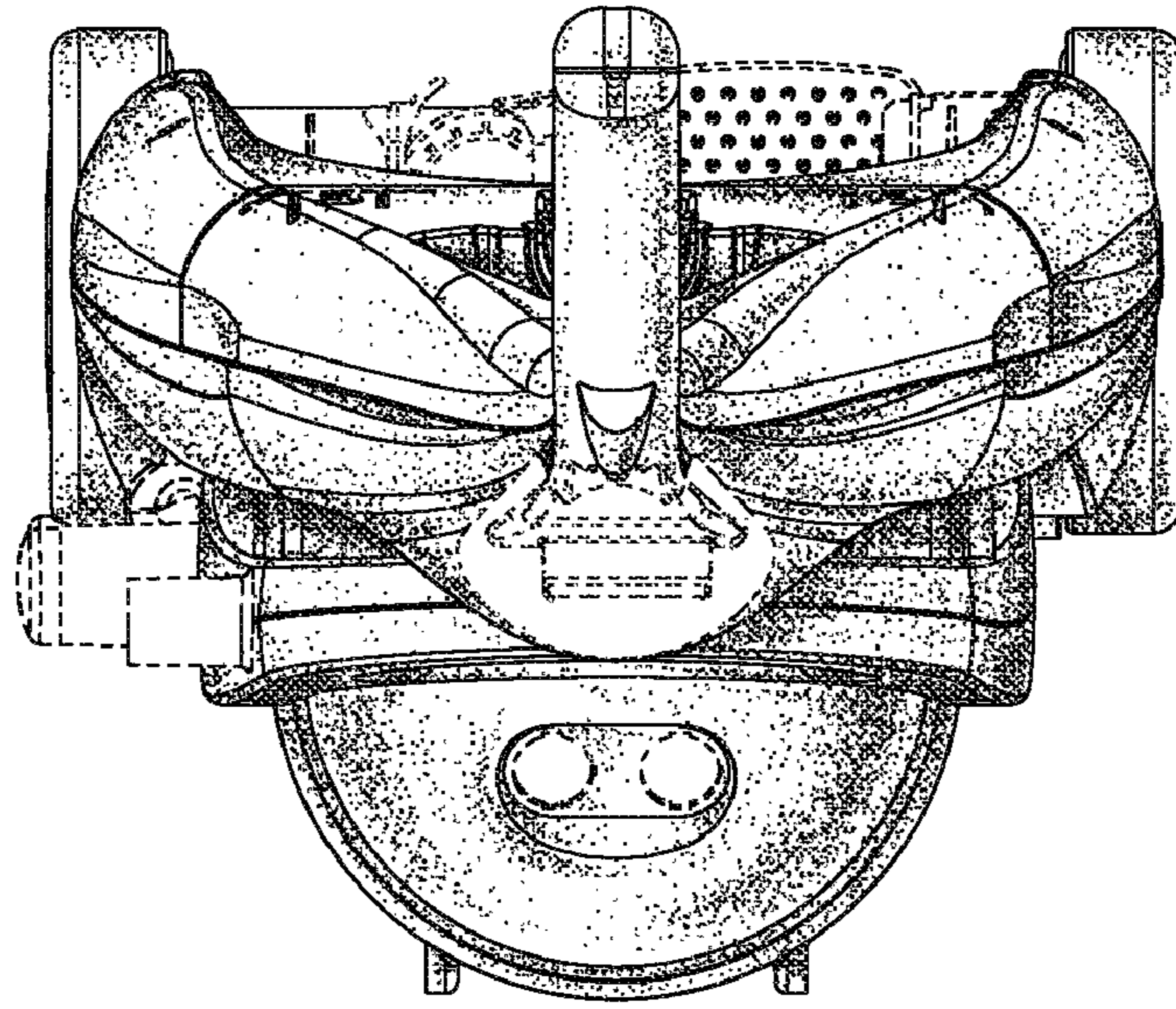


Fig. 6

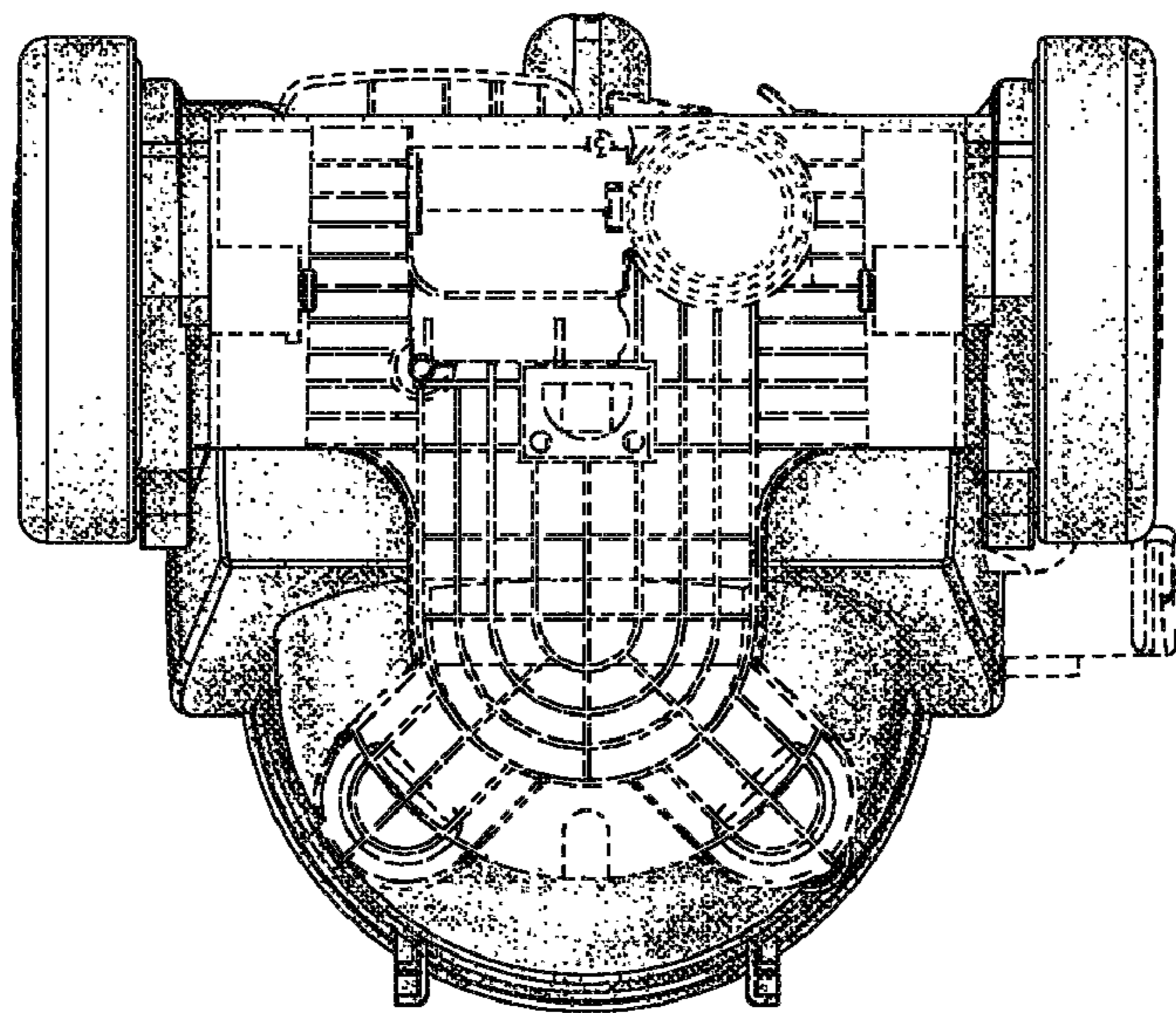


Fig. 7