



US00D609417S

(12) **United States Design Patent**
Hill

(10) **Patent No.:** **US D609,417 S**

(45) **Date of Patent:** **** Feb. 2, 2010**

(54) **VACUUM CLEANER UPRIGHT PORTION**

D529,247 S * 9/2006 Carlito D32/31
7,360,274 B2 * 4/2008 Park et al. 15/329
D598,617 S * 8/2009 Santiago D32/31

(75) Inventor: **Ambreese Hill**, Grand Rapids, MI (US)

(73) Assignee: **BISSELL Homecare, Inc.**, Grand Rapids, MI (US)

* cited by examiner

Primary Examiner—Ruth McInroy

(74) *Attorney, Agent, or Firm*—McGarry Bair PC

(**) Term: **14 Years**

(21) Appl. No.: **29/334,056**

(57) **CLAIM**

(22) Filed: **Mar. 19, 2009**

The ornamental design for a vacuum cleaner upright portion, as shown and described.

(51) **LOC (9) Cl.** **15-05**

(52) **U.S. Cl.** **D32/31**

(58) **Field of Classification Search** D32/22,
D32/30–31, 34; 15/320–321, 329, 350–354,
15/362, 410, 411, 347; 55/366, 429, 315,
55/356, 372, 337, DIG. 3, 345; 95/271
See application file for complete search history.

DESCRIPTION

FIG. 1 is a front right side perspective view of a vacuum cleaner upright portion which embodies our design;

FIG. 2 is a front view thereof;

FIG. 3 is a rear view thereof;

FIG. 4 is a left side view thereof;

FIG. 5 is a right side view thereof;

FIG. 6 is a top view thereof; and,

FIG. 7 is a bottom view thereof.

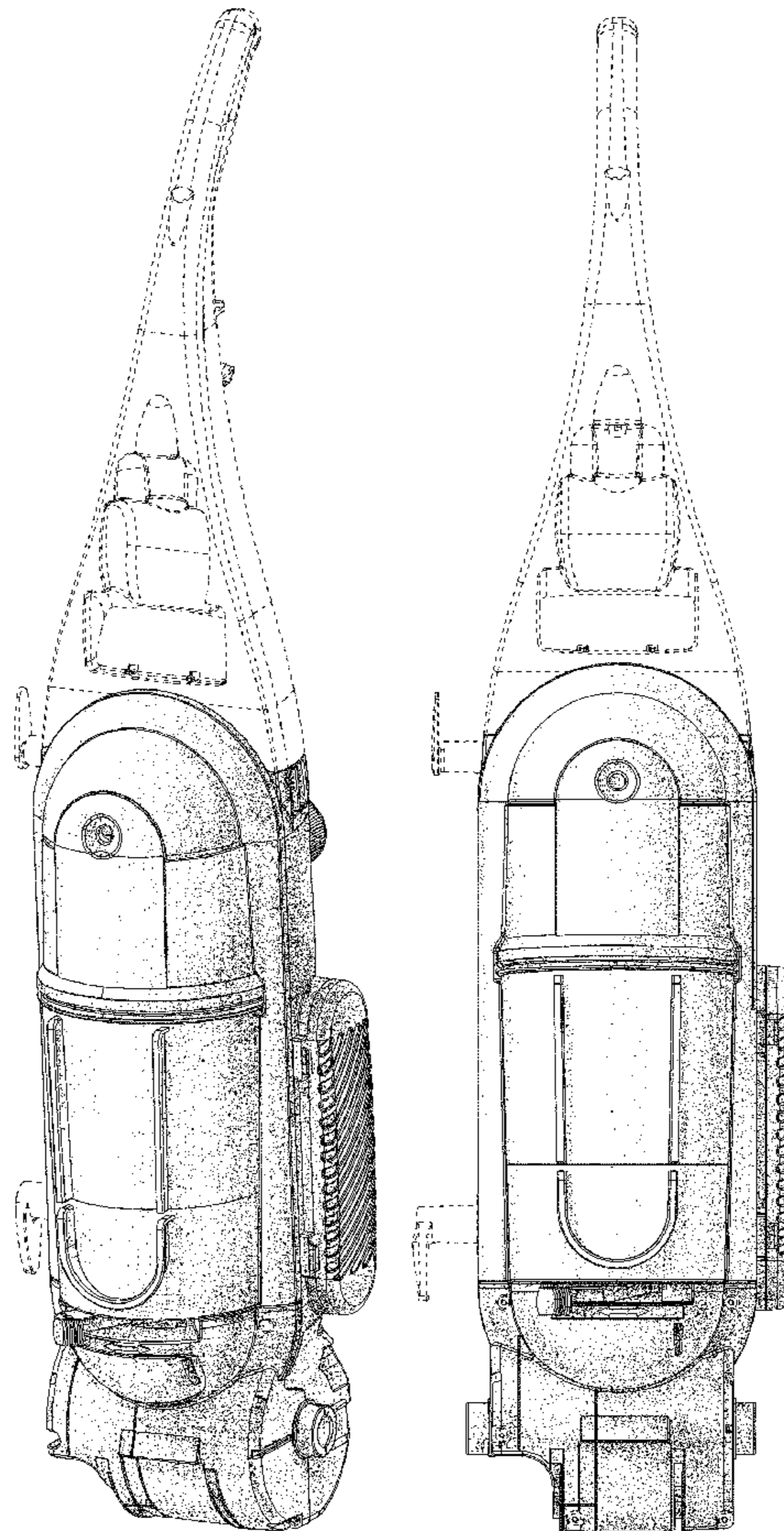
The material in dotted lines forms no part of our design.

(56) **References Cited**

U.S. PATENT DOCUMENTS

D462,489 S * 9/2002 Roberts et al. D32/31
D468,069 S * 12/2002 Roberts et al. D32/31
D493,587 S * 7/2004 Downey et al. D32/31
D494,330 S * 8/2004 Downey et al. D32/31
D528,721 S * 9/2006 Santiago et al. D32/31

1 Claim, 4 Drawing Sheets



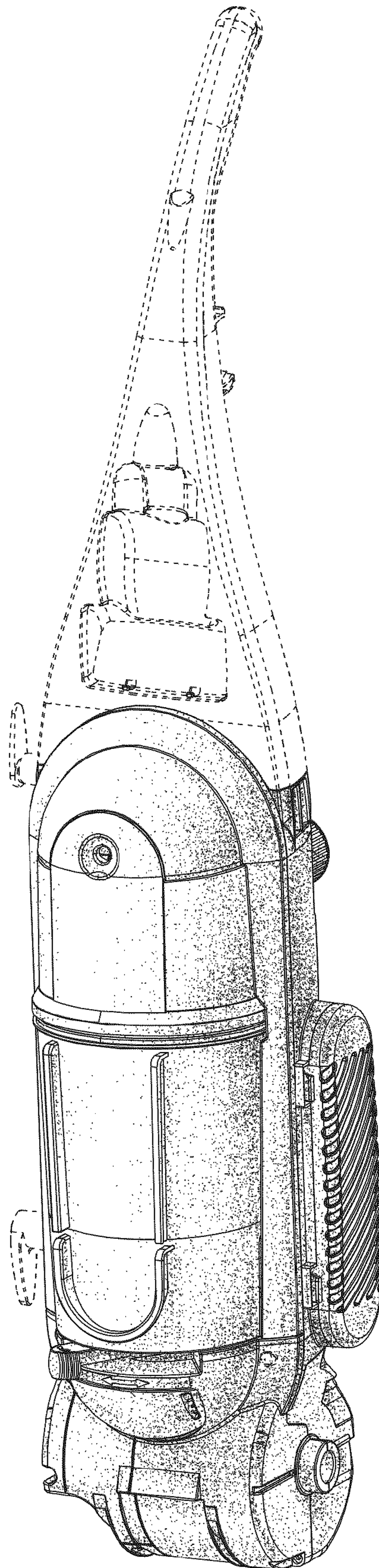


Fig. 1

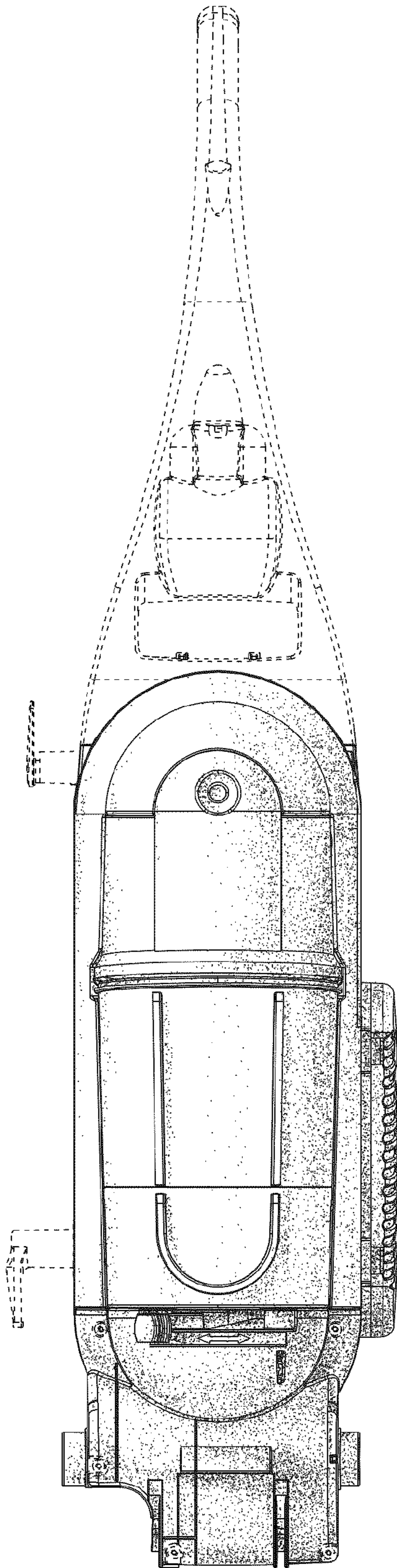


Fig. 2

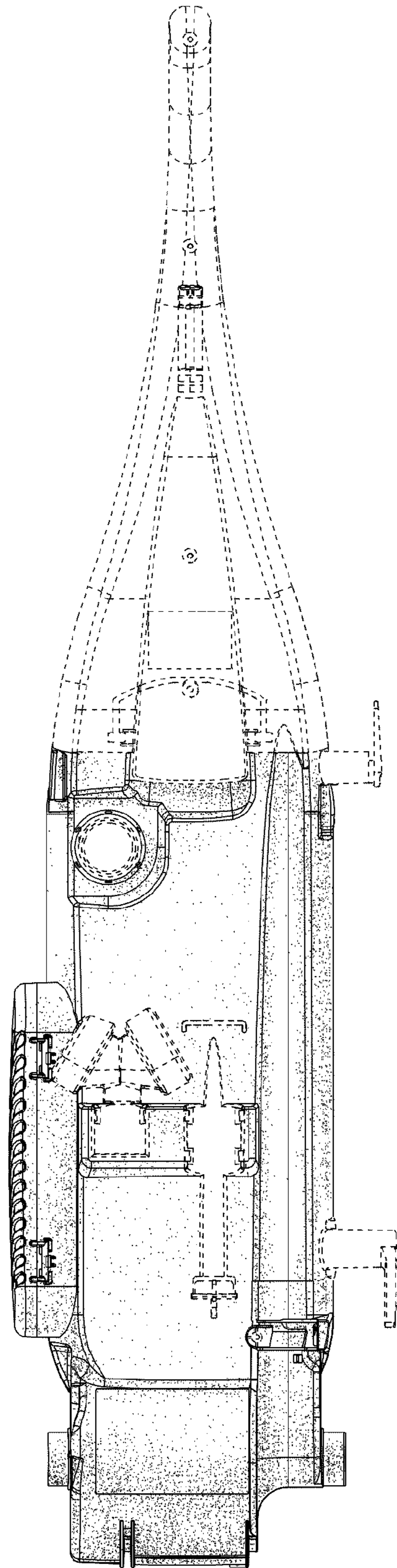


Fig. 3

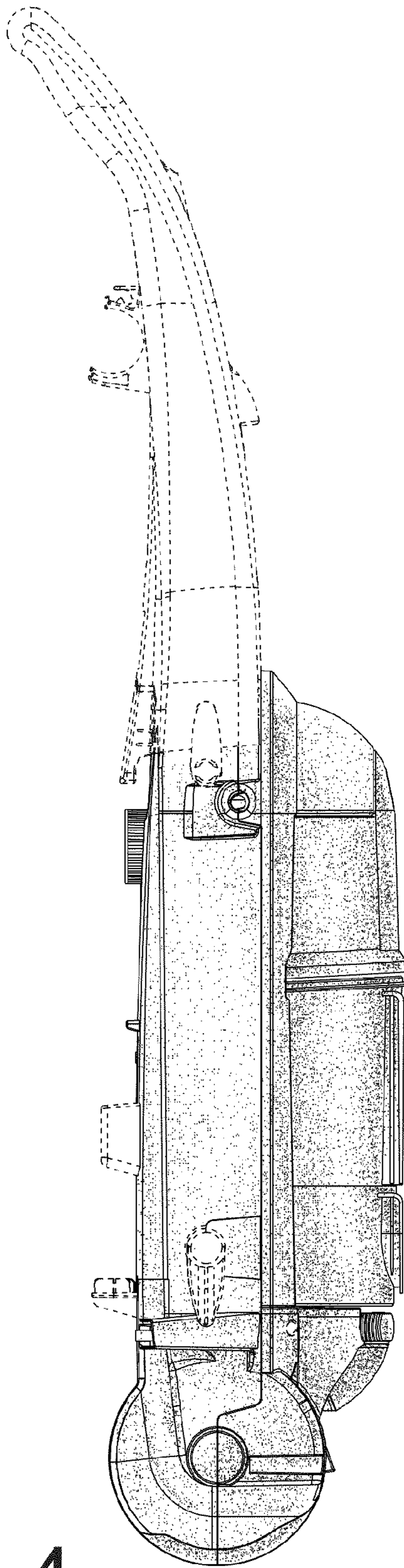


Fig. 4

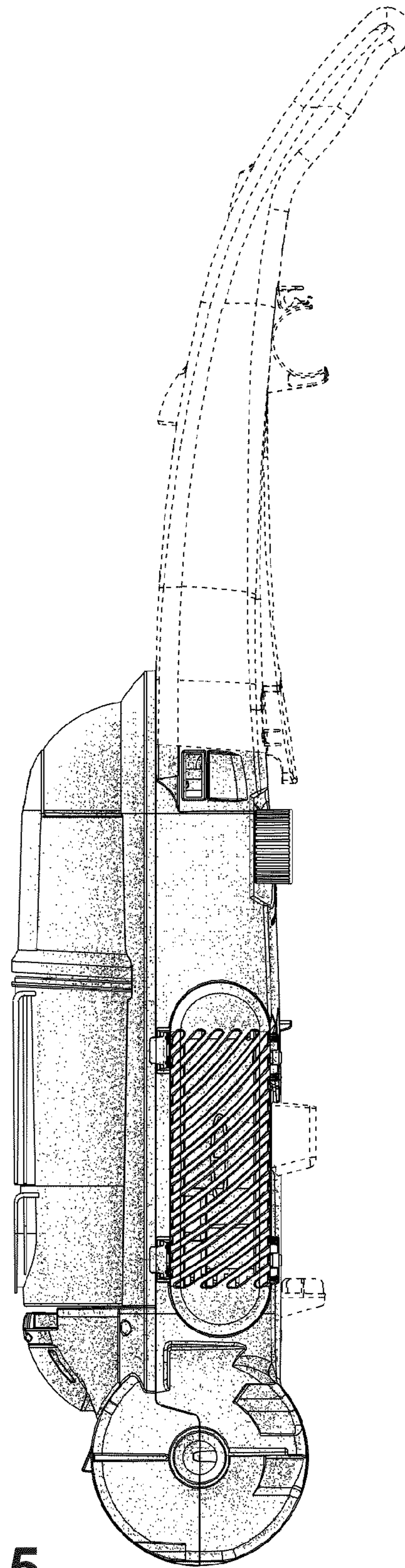


Fig. 5

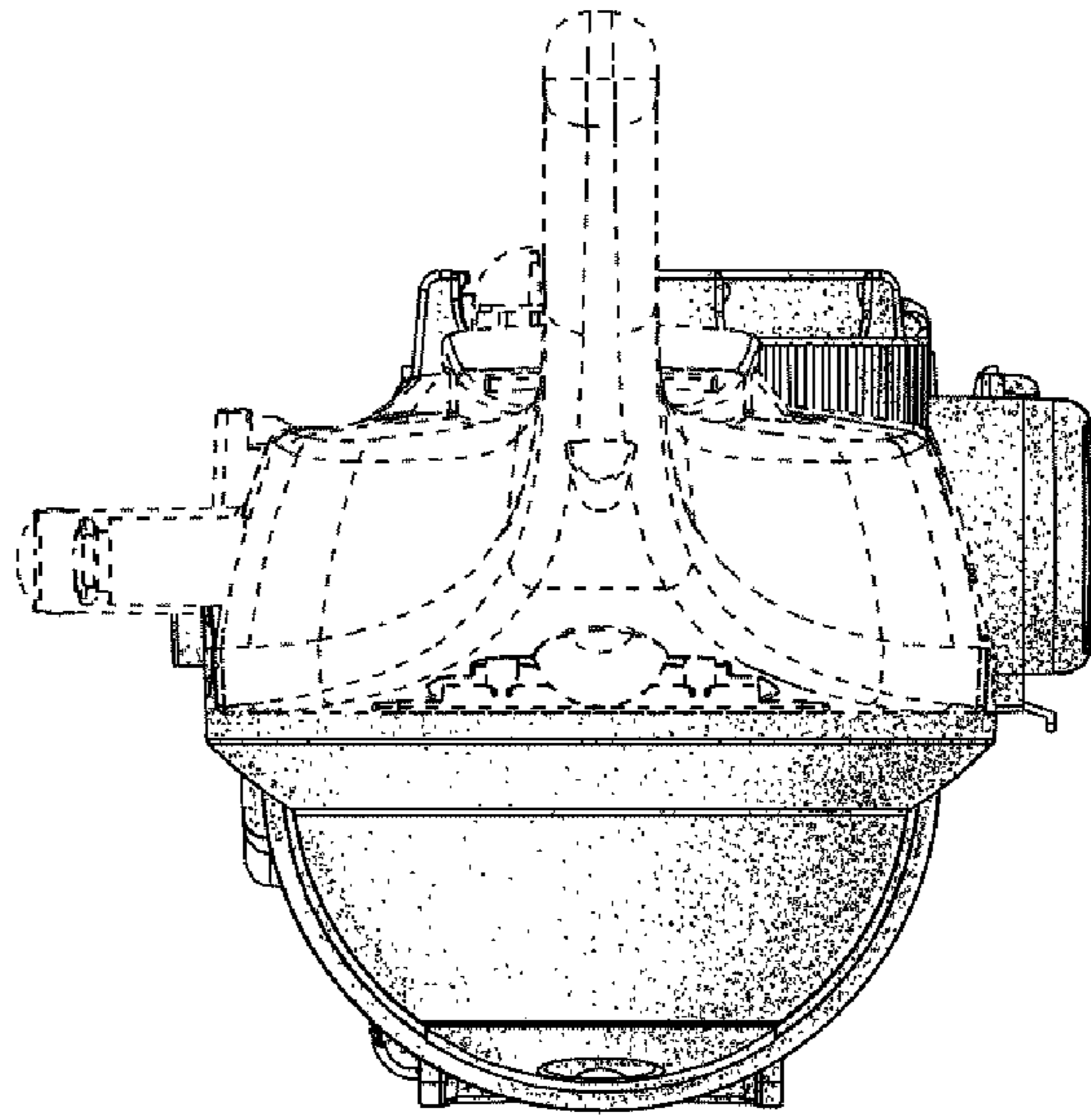


Fig. 6

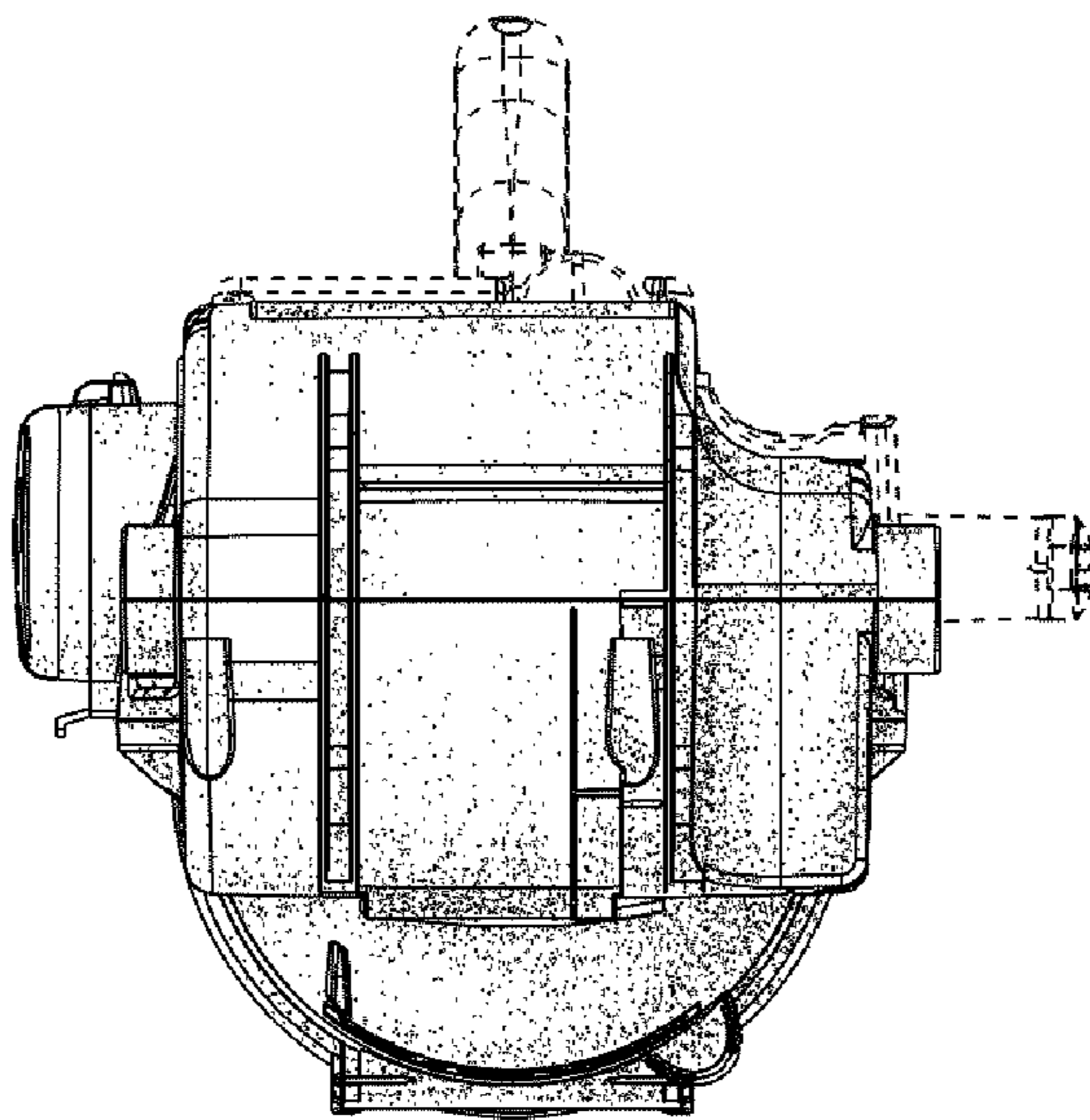


Fig. 7