



US00D609415S

(12) **United States Design Patent**
Hill et al.

(10) **Patent No.:** **US D609,415 S**
(45) **Date of Patent:** **** Feb. 2, 2010**

(54) **VACUUM CLEANER UPRIGHT PORTION**
(75) Inventors: **Ambreese Hill**, Grand Rapids, MI (US);
Douglas J. Medema, Belding, MI (US)
(73) Assignee: **BISSELL Homecare, Inc.**, Grand
Rapids, MI (US)

(**) Term: **14 Years**

(21) Appl. No.: **29/333,966**

(22) Filed: **Mar. 18, 2009**

(51) **LOC (9) Cl.** **15-05**

(52) **U.S. Cl.** **D32/31**

(58) **Field of Classification Search** D32/22,
D32/30-31, 34; 15/320-321, 329, 350-354,
15/362, 410, 411, 347; 55/366, 429, 315,
55/356, 372, 337, DIG. 3, 345; 95/271
See application file for complete search history.

(56) **References Cited**

U.S. PATENT DOCUMENTS

D471,683 S * 3/2003 Dyson et al. D32/30
D475,820 S 6/2003 Dyson et al.
D494,719 S * 8/2004 Rosenzweig et al. D32/31
D494,720 S 8/2004 Rosenzweig et al.
7,018,439 B2* 3/2006 Vuijk 55/429
D532,944 S 11/2006 Choi

D547,505 S * 7/2007 Carr et al. D32/31
D565,815 S 4/2008 Dyson et al.
7,438,737 B2* 10/2008 Song et al. 55/343
D587,415 S * 2/2009 Dyson et al. D32/31
2004/0068827 A1* 4/2004 Dyson 15/353
2007/0209147 A1* 9/2007 Krebs et al. 15/347

* cited by examiner

Primary Examiner—Ruth McInroy

(74) *Attorney, Agent, or Firm*—McGarry Bair PC

(57) **CLAIM**

The ornamental design for a vacuum cleaner upright portion,
as shown and described.

DESCRIPTION

FIG. 1 is a front right side perspective view of a vacuum
cleaner upright portion which embodies our design;

FIG. 2 is a front view thereof;

FIG. 3 is a rear view thereof;

FIG. 4 is a top view thereof;

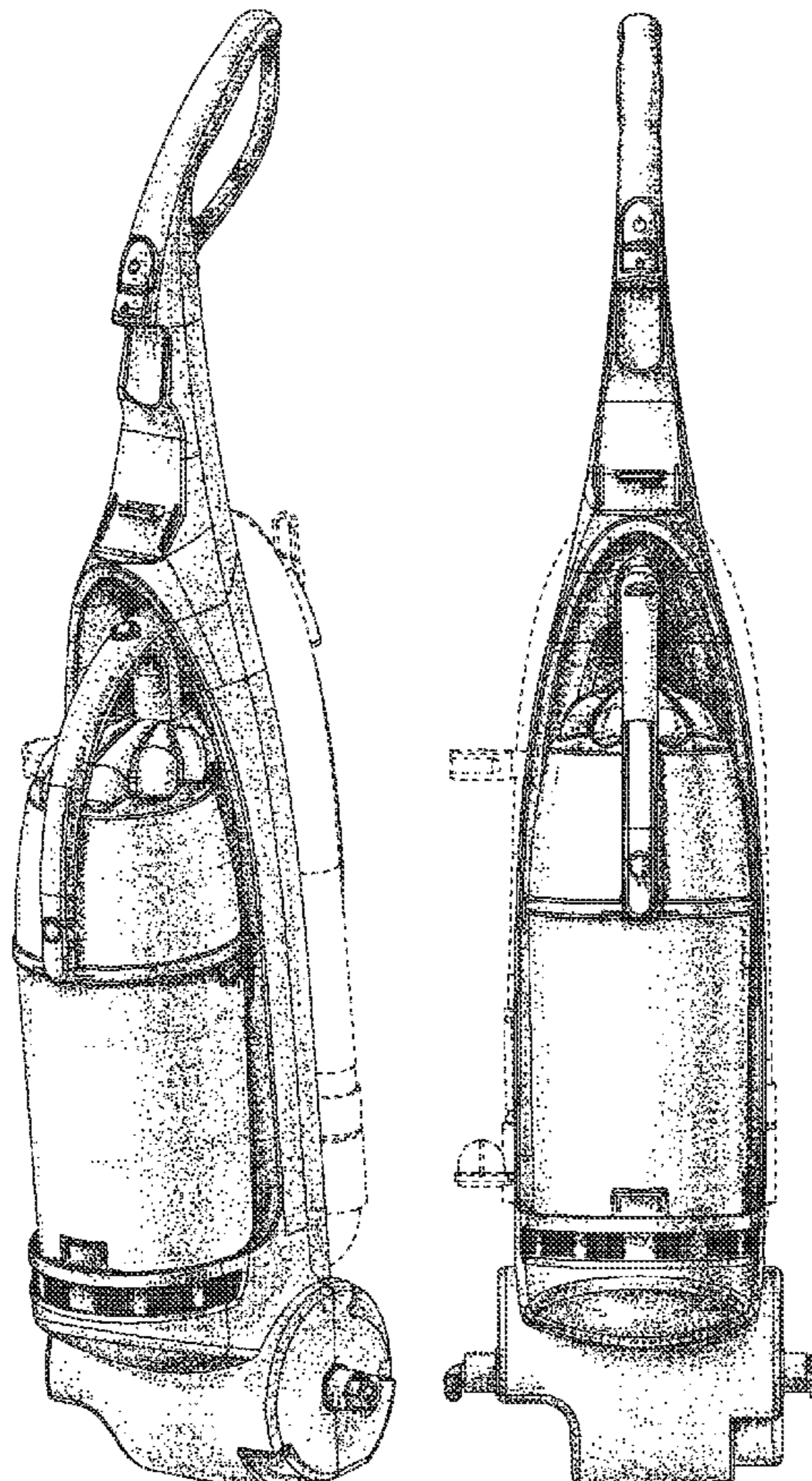
FIG. 5 is a bottom view thereof;

FIG. 6 is a left side view thereof; and,

FIG. 7 is a right side view thereof.

The material in dotted lines forms no part of our design.

1 Claim, 3 Drawing Sheets



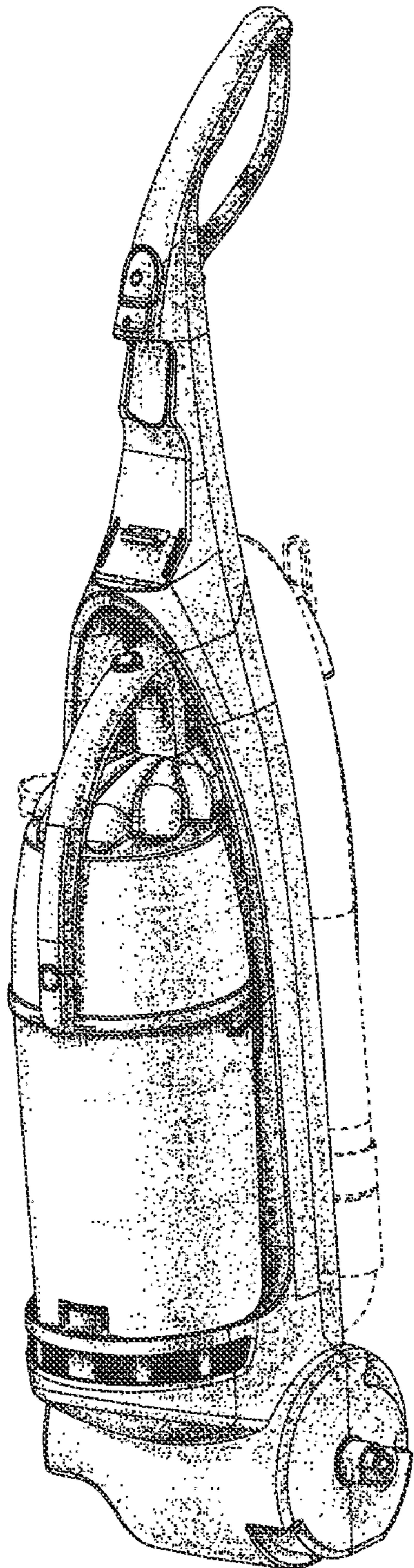


Fig. 1

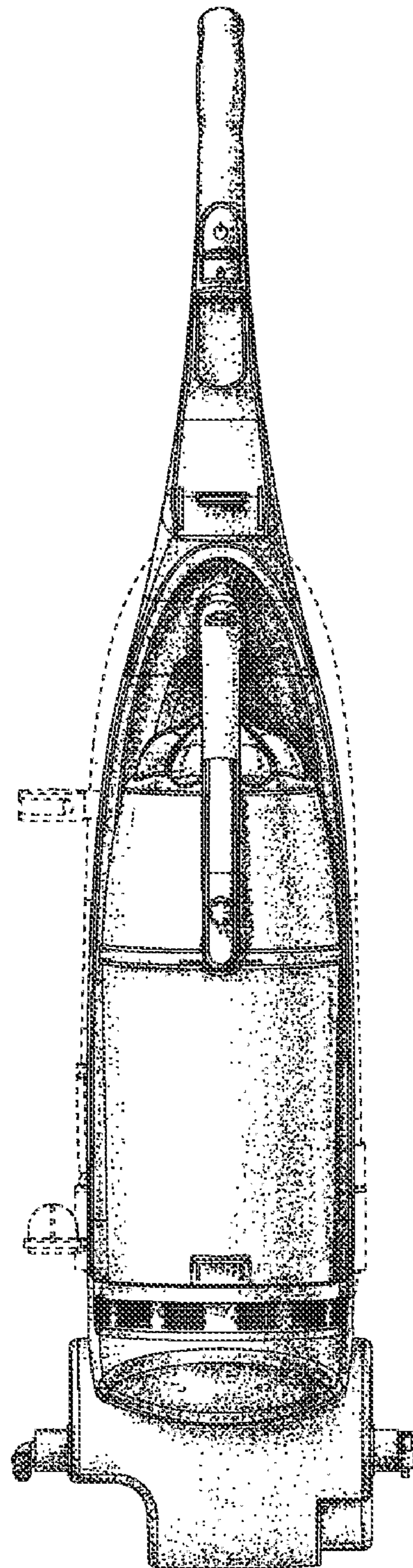


Fig. 2

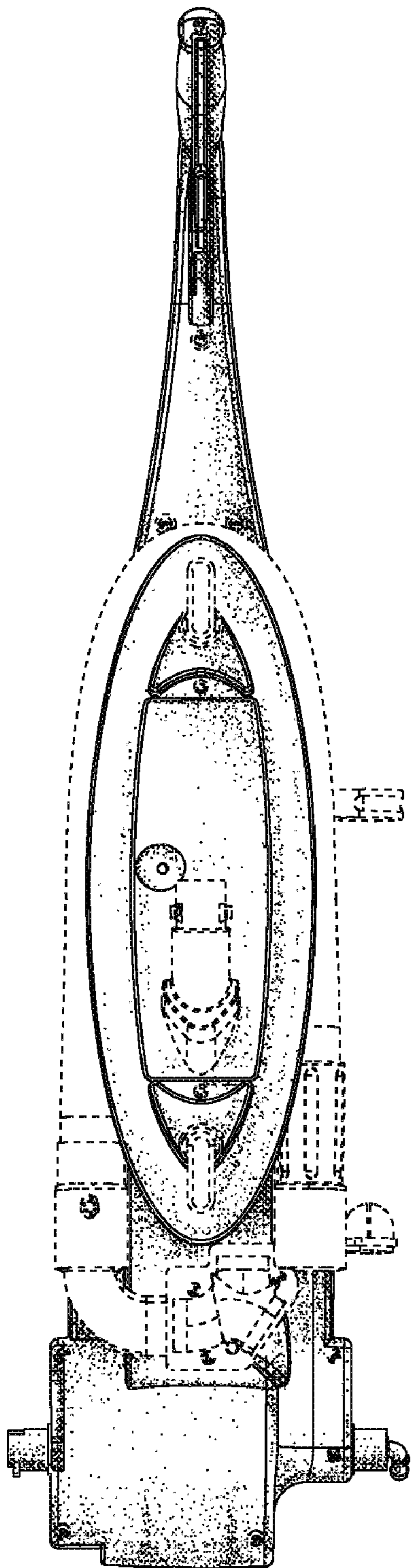


Fig. 3

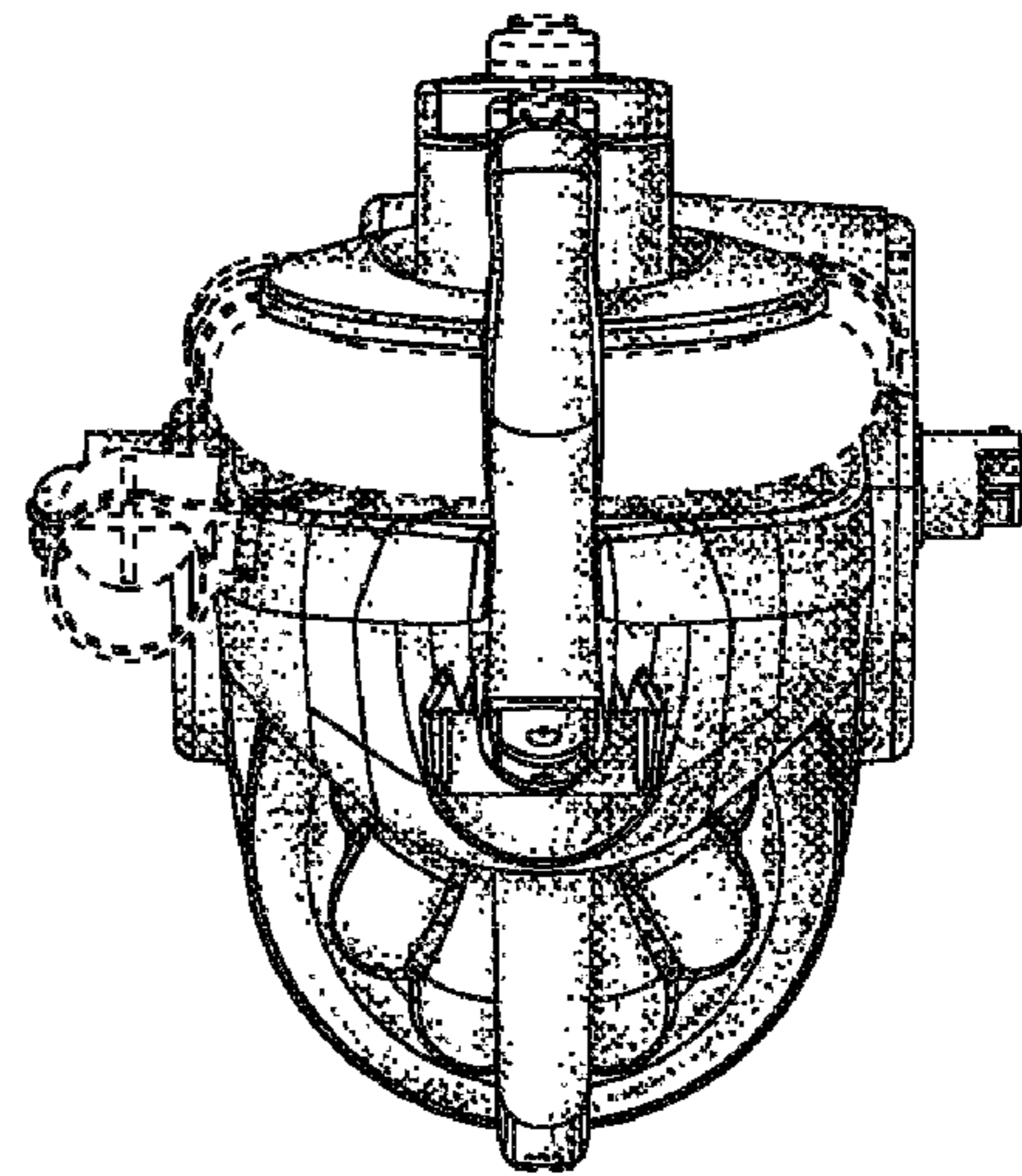


Fig. 4

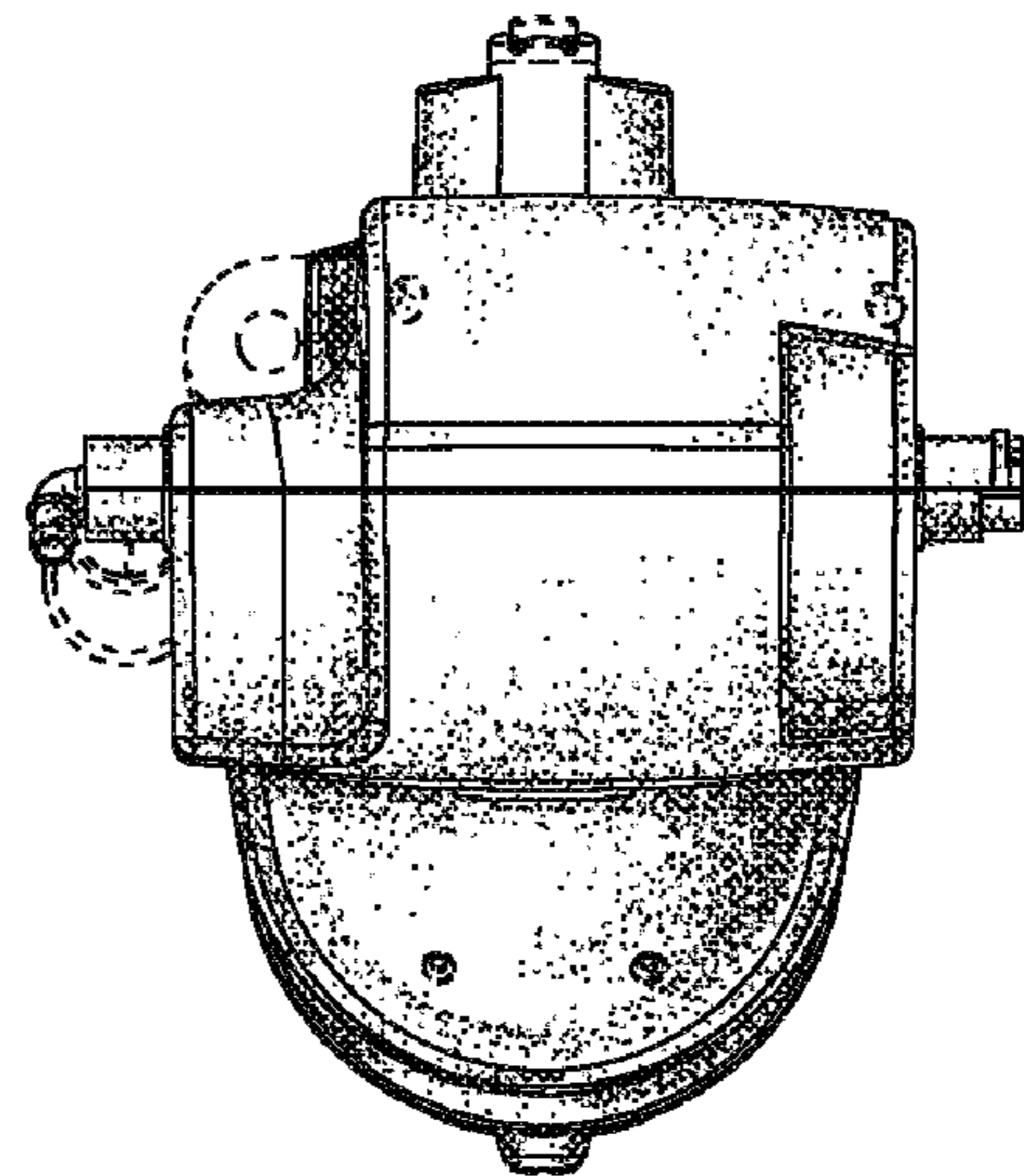


Fig. 5

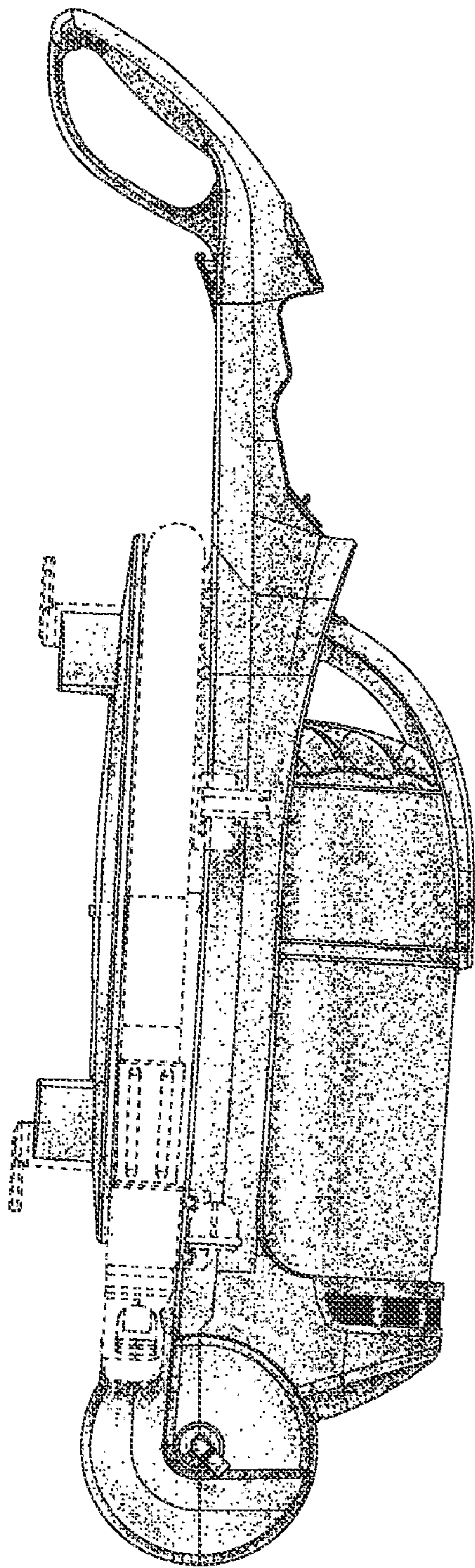


Fig. 6

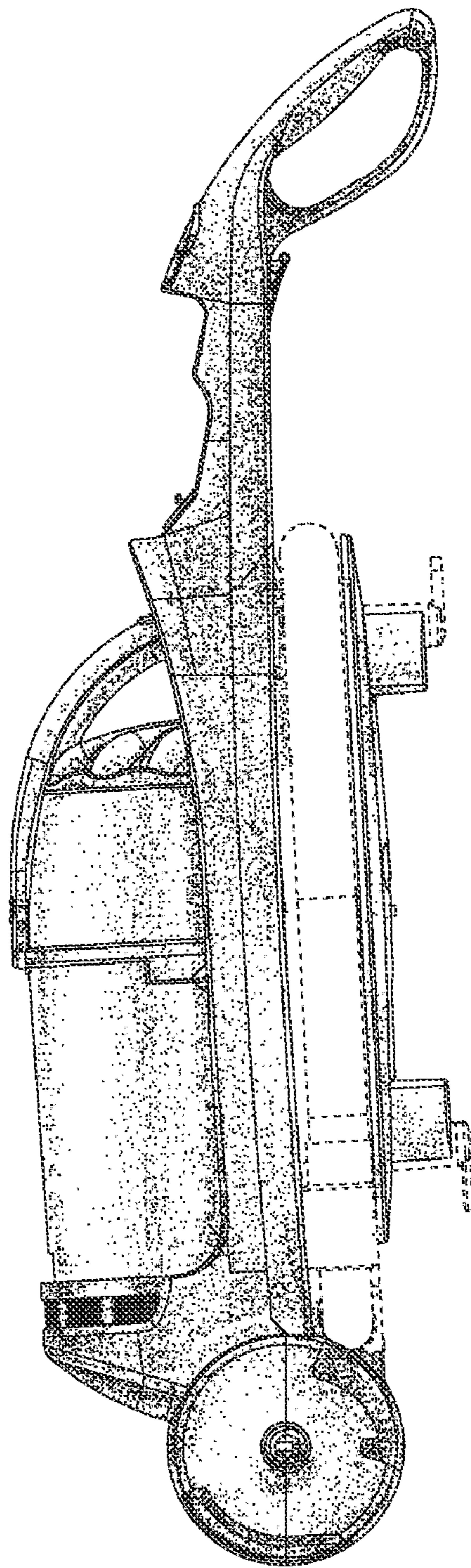


Fig. 7