



US00D609411S

(12) **United States Design Patent**
Crout et al.

(10) **Patent No.:** **US D609,411 S**

(45) **Date of Patent:** **** Feb. 2, 2010**

(54) **LITTER BOX MAT**

(75) Inventors: **Justin Crout**, Palm Beach, FL (US);
Raul Chinda, Fort Lauderdale, FL (US)

(73) Assignee: **Sunbeam Products, Inc.**, Boca Raton,
FL (US)

(**) Term: **14 Years**

(21) Appl. No.: **29/331,072**

(22) Filed: **Jan. 20, 2009**

(51) **LOC (9) Cl.** **30-99**

(52) **U.S. Cl.** **D30/161**

(58) **Field of Classification Search** D30/108,
D30/118-120, 161; 119/161-170, 652
See application file for complete search history.

(56) **References Cited**

U.S. PATENT DOCUMENTS

D289,095	S *	3/1987	Chiodo et al.	D30/161
5,220,886	A *	6/1993	Hyde	119/165
D383,253	S *	9/1997	Semenuk	D30/120
5,797,352	A *	8/1998	Ebert	119/652
6,050,223	A *	4/2000	Harris	119/165
6,386,143	B1 *	5/2002	Link et al.	119/165

D488,890	S *	4/2004	Radde	D30/161
D514,754	S *	2/2006	Northrop et al.	D30/161
D517,753	S *	3/2006	Northrop	D30/161
D518,248	S *	3/2006	Northrop	D30/161
D523,192	S *	6/2006	Northrop	D30/161
2004/0200425	A1 *	10/2004	Paquette	119/165

* cited by examiner

Primary Examiner—Mitchell I Siegel

(74) *Attorney, Agent, or Firm*—Seth M. Blum

(57) **CLAIM**

The ornamental design for a litter box mat, as shown and described.

DESCRIPTION

FIG. 1 is a perspective view of the litter box mat showing the new design;

FIG. 2 is an end view thereof;

FIG. 3 is a left side elevation view thereof; and,

FIG. 4 is a top plan view thereof.

The right side is a mirror image of the left side;

The broken lines in the drawings are for illustrative purposes only and form no part of the claimed design.

1 Claim, 2 Drawing Sheets

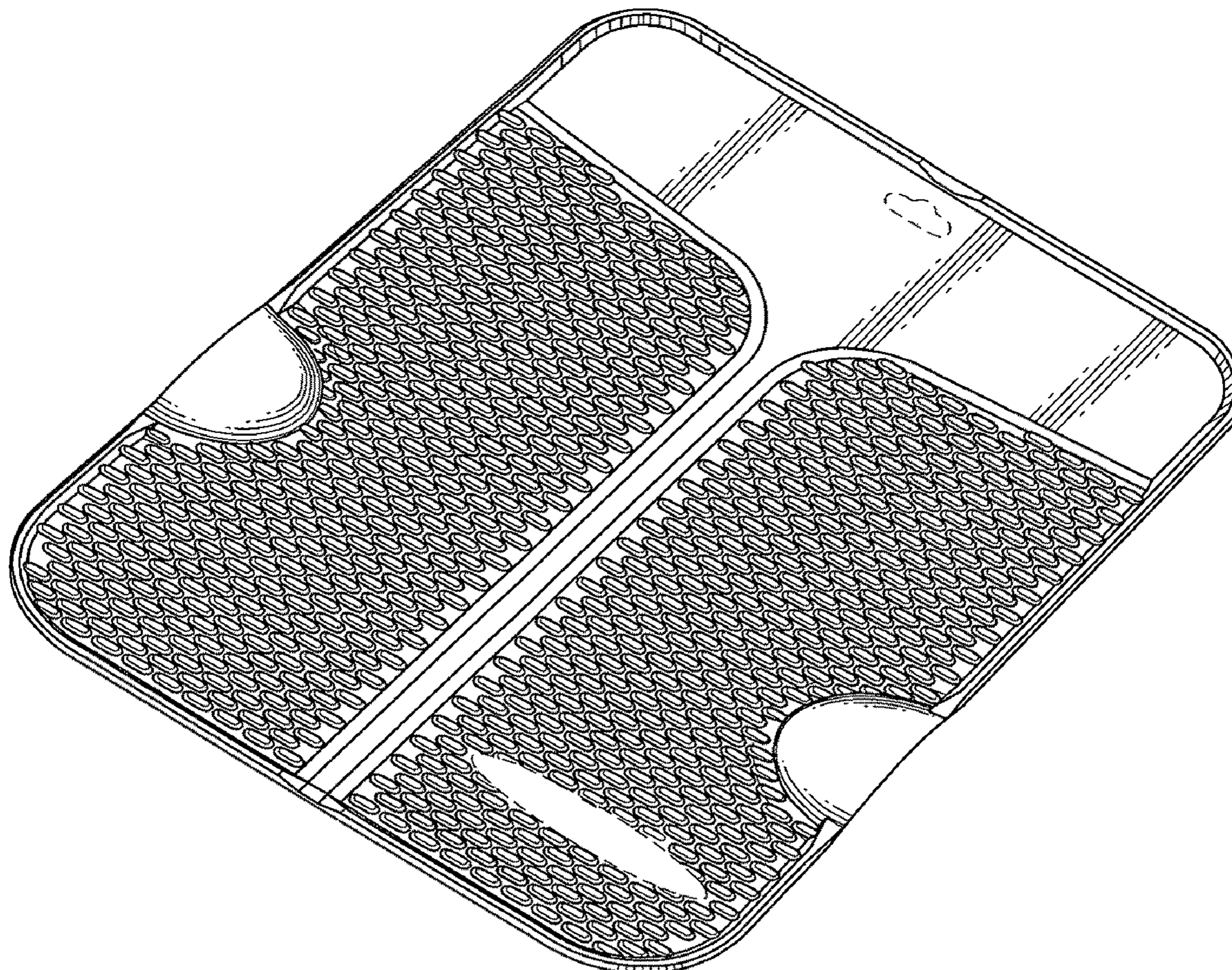


FIG. 1

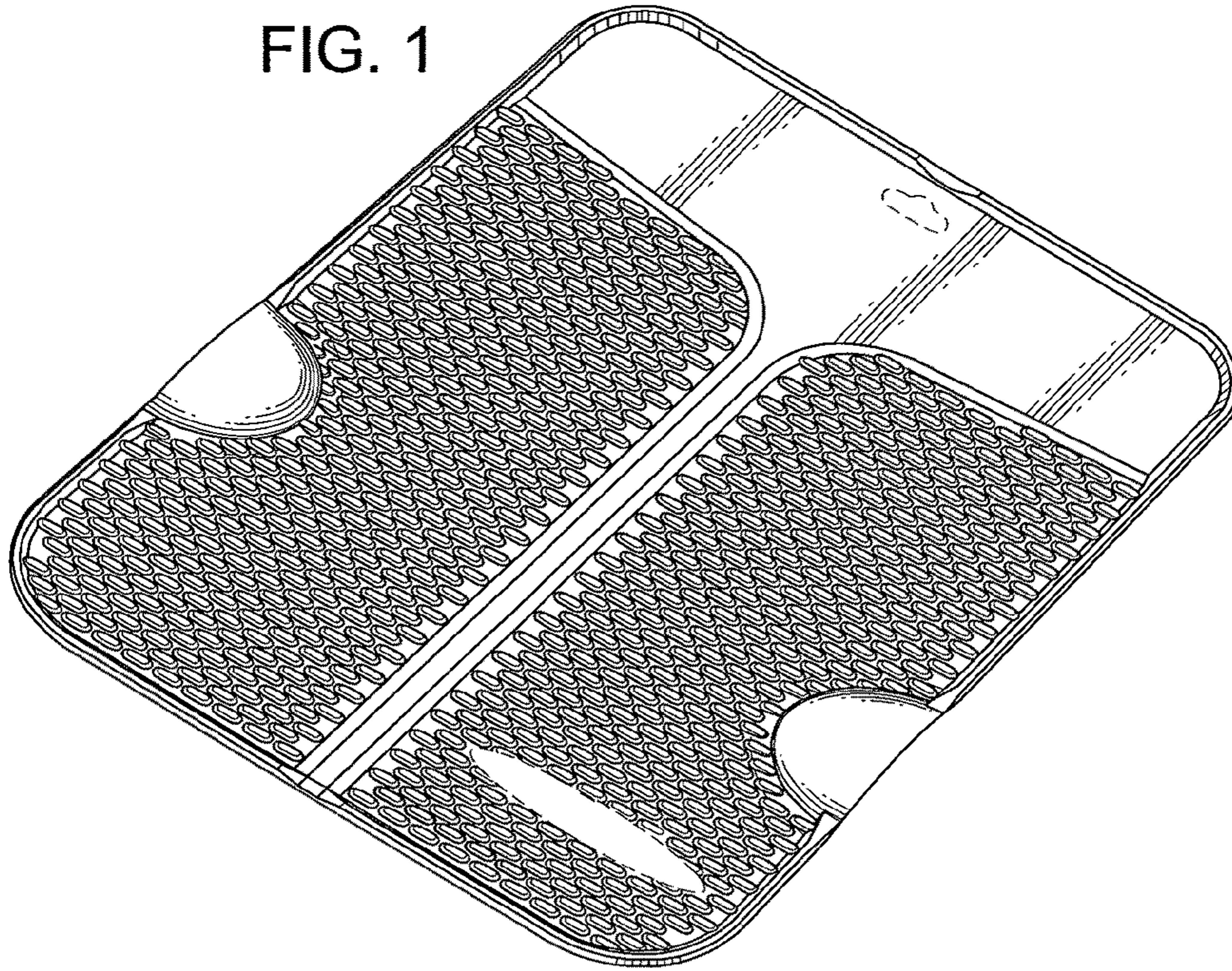


FIG. 3



FIG. 2



FIG. 4

