



US00D609408S

(12) **United States Design Patent**
Labelson et al.

(10) **Patent No.:** **US D609,408 S**
(45) **Date of Patent:** **** Feb. 2, 2010**

(54) **COLLAR**

(75) Inventors: **Ross Labelson**, Westbury, NY (US);
Eric Swope, Redondo Beach, CA (US)

(73) Assignee: **Buckle-Down, Inc.**, Westbury, NY (US)

(**) Term: **14 Years**

(21) Appl. No.: **29/311,289**

(22) Filed: **Feb. 10, 2009**

(51) **LOC (9) Cl.** **30-04**

(52) **U.S. Cl.** **D30/152**

(58) **Field of Classification Search** D30/151–155,
D30/144; 119/850, 855–860, 862–865, 654,
119/712, 714, 720, 725, 760, 762–776, 791–794,
119/815, 821, 724, 655, 51.02, 660, 174,
119/907; 24/16 R, 17 AP, 3.5 P, 188, 662,
24/324, 3.6, 307, 625, 616, 200, 196, 171,
24/169, 112, 614, 615, 115 F, 620, 681, 602,
24/306, 442, 274 R, 302, 300, 301, 298, 323,
24/16 PB, 265 H; D11/3, 12, 200, 7, 79–87,
D11/97, 99, 107, 108, 82, 137, 105, 103,
D11/1, 2, 40–44, 46–49, 53, 56, 57, 59–61,
D11/63, 65, 89, 90–92, 101, 106, 114–116,
D11/201, 208–210, 212–218, 220, 230–234,
D11/236, 237, 94, 6, 11; D2/609, 627, 624,
D2/632, 635, 976, 629, 931, 636, 614, 610,
D2/639; 2/300, 311–319, 321, 322, 338,
2/339, 237, 170, DIG. 11, 365, 307, 308,
2/910, 917; D24/195, 211, 189, 190, 192;
D3/207–212, 270–271.3, 327; D26/38; 206/37.1,
206/38.1; D6/302–304; 70/456 R, 456 B,
70/458, 459, 18, 49, 58; D8/1, 34, 38, 18,
D8/394, 382, 396; 54/19.1; 63/1.11, 3.1,
63/3.2, 3, 9, 37, 38, 18–20, 23, 12, 13, 14.1,
63/21, 31, 15.2, 15, 1.13, 5.1, 1.1; 59/85,
59/89; 424/409; 43/131; 446/314, 376;
428/28; 606/203, 204, 201; 602/62; 128/876,
128/DIG. 15; 40/633; 473/212, 216; 604/20;
231/7; 361/232; 403/212, 213, 391; 256/57,
256/47; 410/97, 23, 7; 292/307 R

See application file for complete search history.

(56) **References Cited**

U.S. PATENT DOCUMENTS

2,909,154 A *	10/1959	Thomas	119/771
3,310,034 A *	3/1967	Dishart	119/771
3,533,141 A *	10/1970	Keizen	24/637
3,623,191 A *	11/1971	Hayashi	24/650
3,790,994 A *	2/1974	Jakob	24/637
D234,548 S *	3/1975	Stahel	D3/207
4,195,392 A *	4/1980	Ueda et al.	24/637
4,377,888 A *	3/1983	Ikesue	24/637
4,385,424 A *	5/1983	Petersen, III	24/633
4,799,709 A *	1/1989	Francois	280/801.1
4,932,362 A *	6/1990	Birchmire et al.	119/772

(Continued)

Primary Examiner—Susan Moon Lee

(74) *Attorney, Agent, or Firm*—Jones Day

(57) **CLAIM**

The ornamental design for a collar, as shown and described.

DESCRIPTION

FIG. 1 is a first perspective view of a collar showing my new design;

FIG. 2 is a front view of the collar;

FIG. 3 is a first side view of the collar;

FIG. 4 is a second side view of the collar;

FIG. 5 is a top view of the collar;

FIG. 6 is a rear view of the collar; and,

FIG. 7 is a second perspective view of the collar in which the removable D-ring is shown in a moved position attached to the strap opening alongside the central buckle.

The portions shown in broken lines are included for illustrative purpose only and form no part of the claimed design.

1 Claim, 4 Drawing Sheets

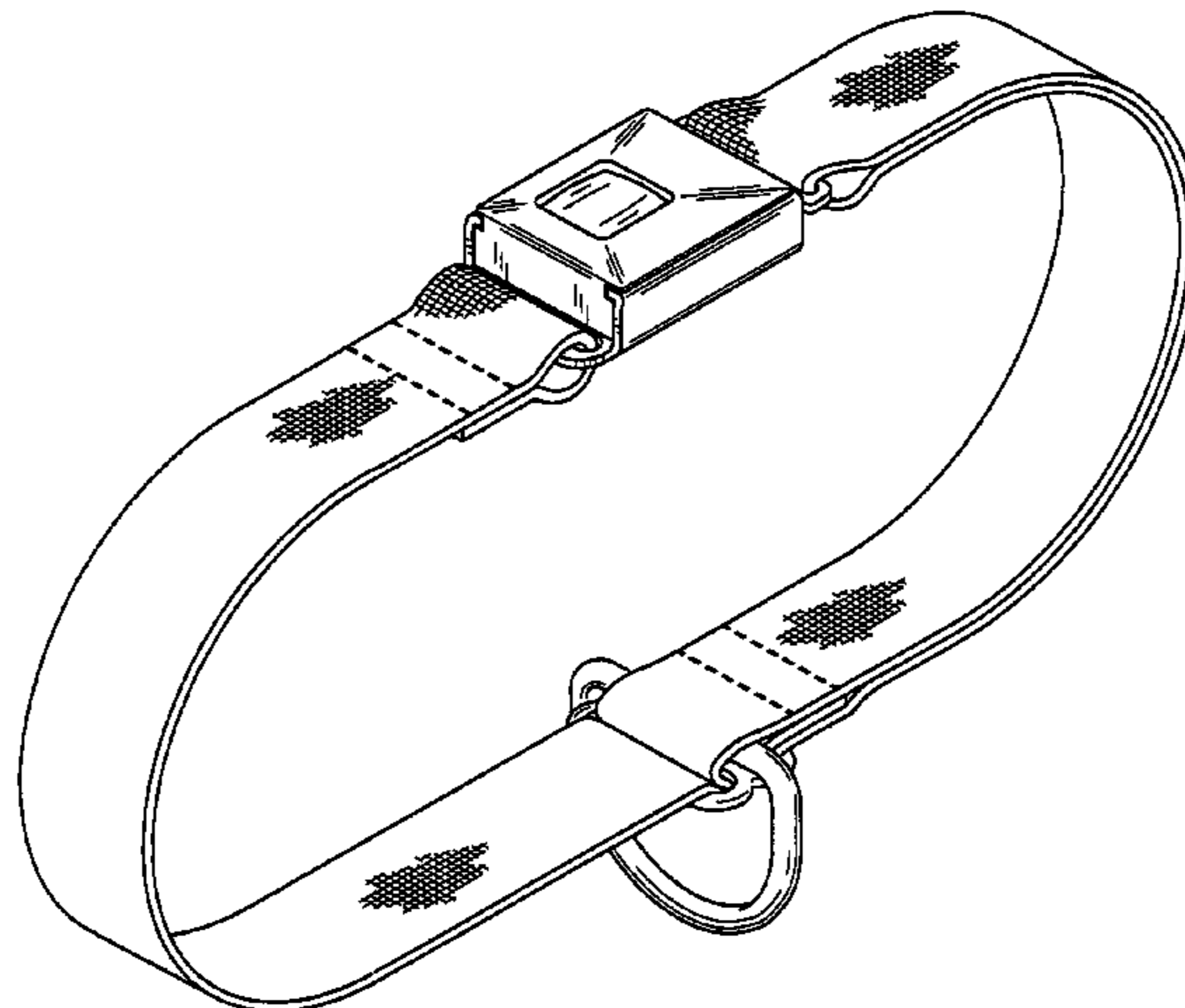


FIG. 1

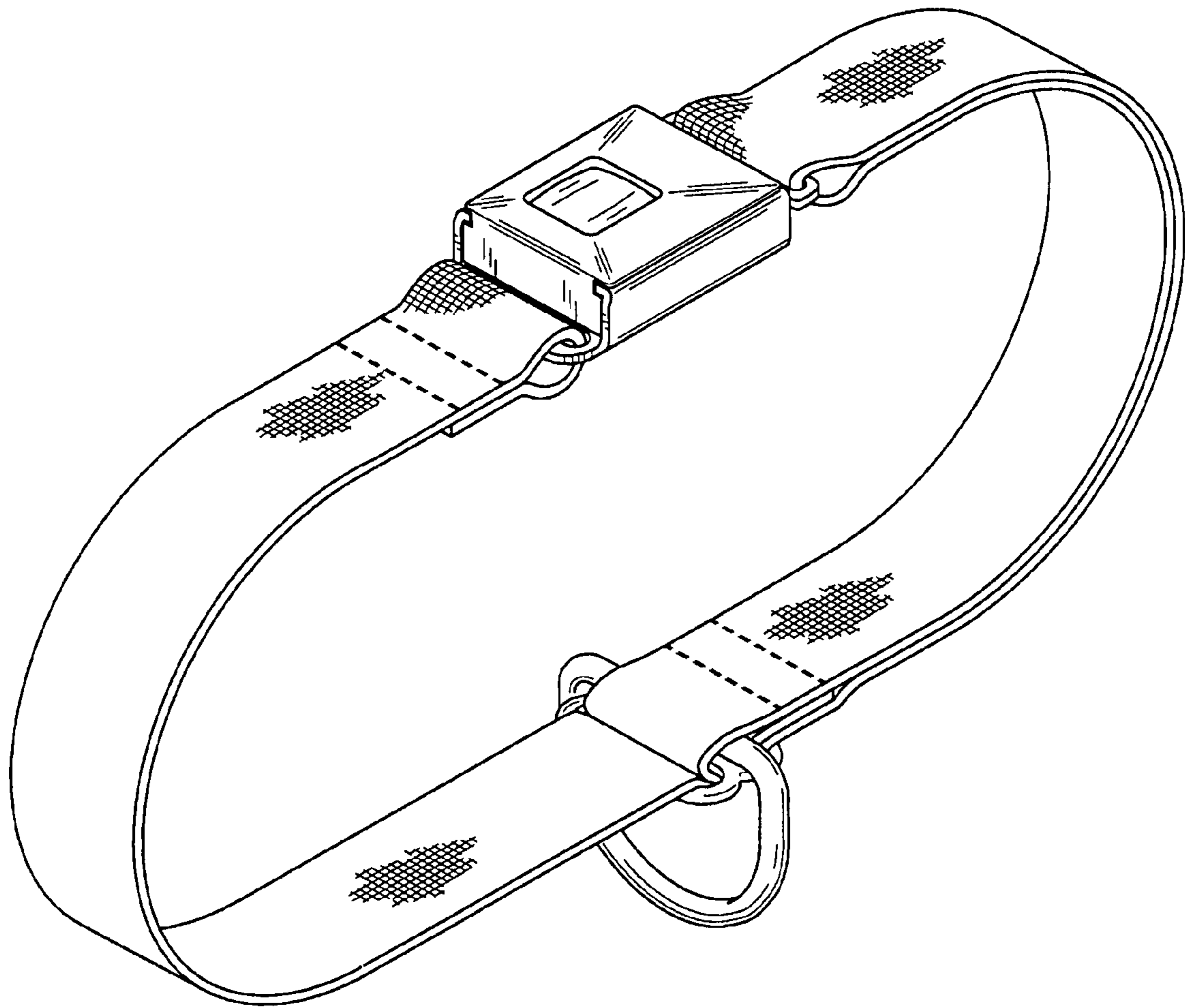


FIG. 2

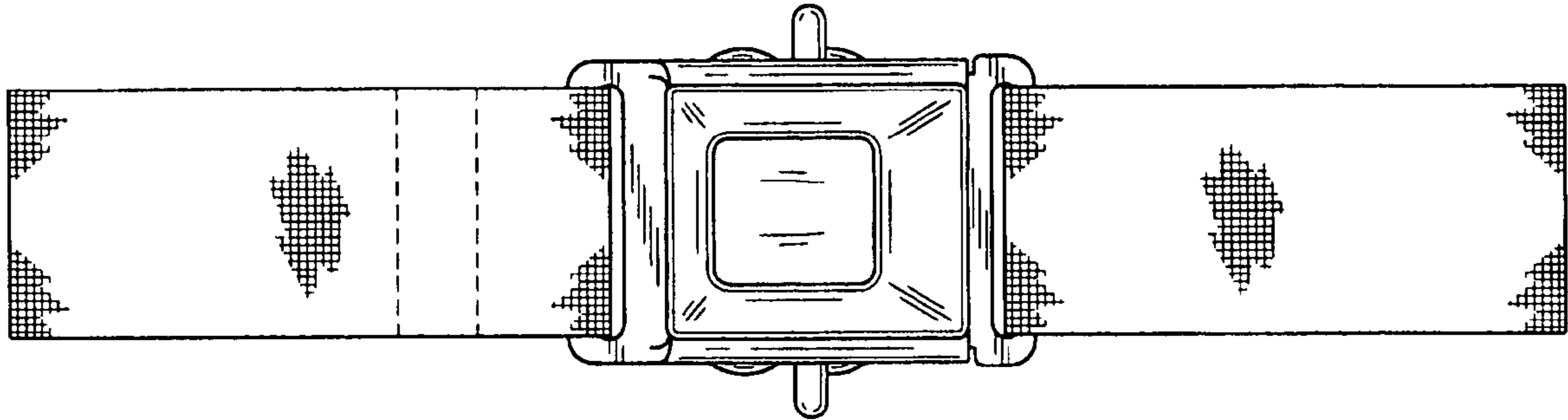


FIG. 3

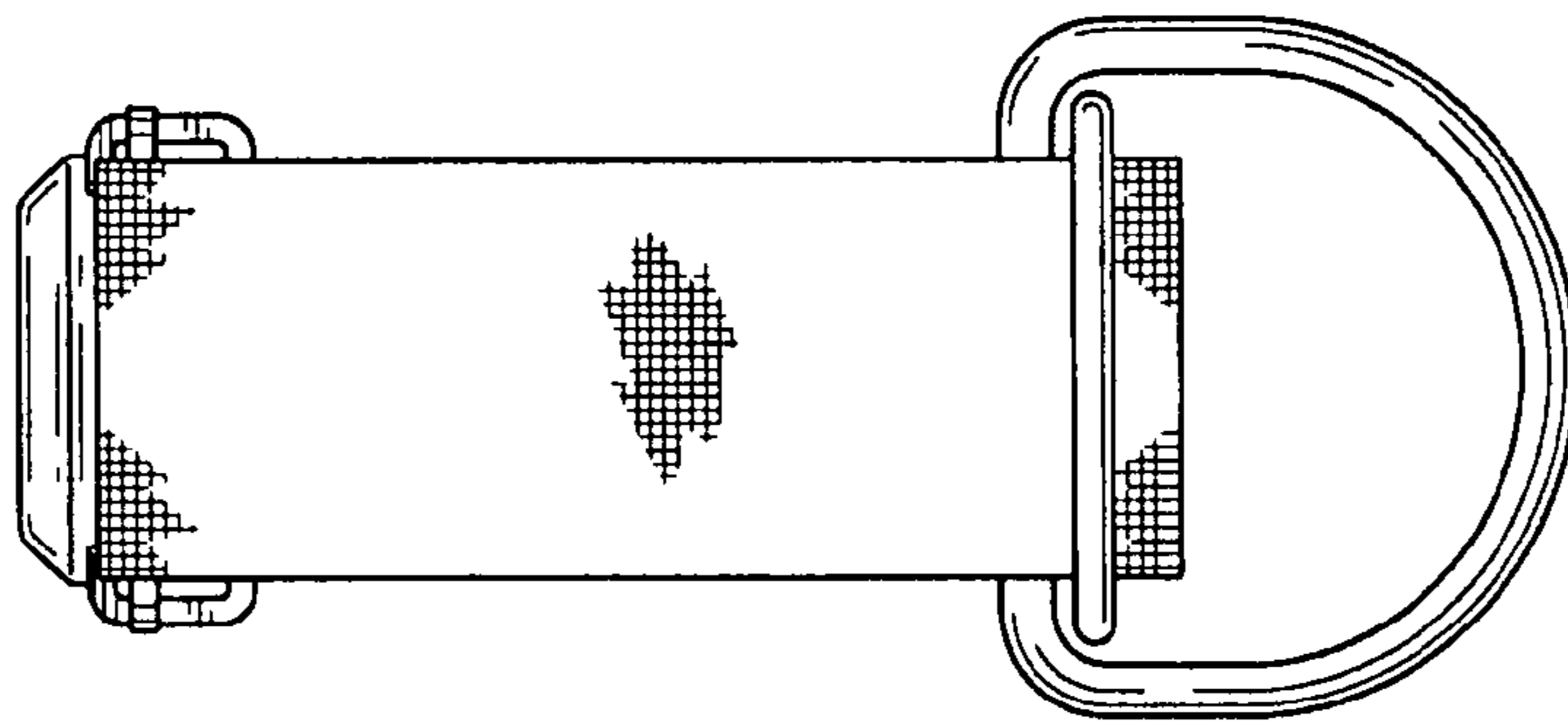


FIG. 4

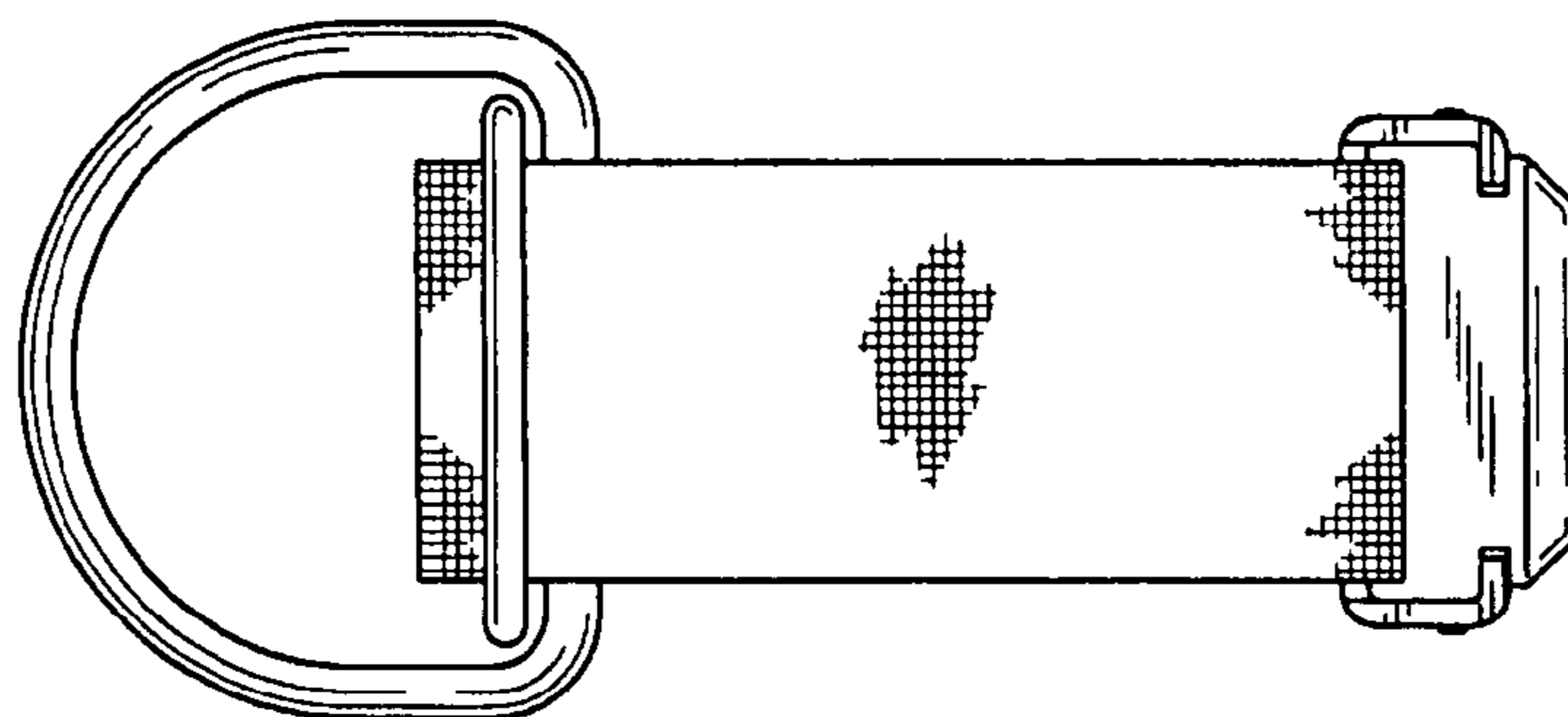


FIG. 5

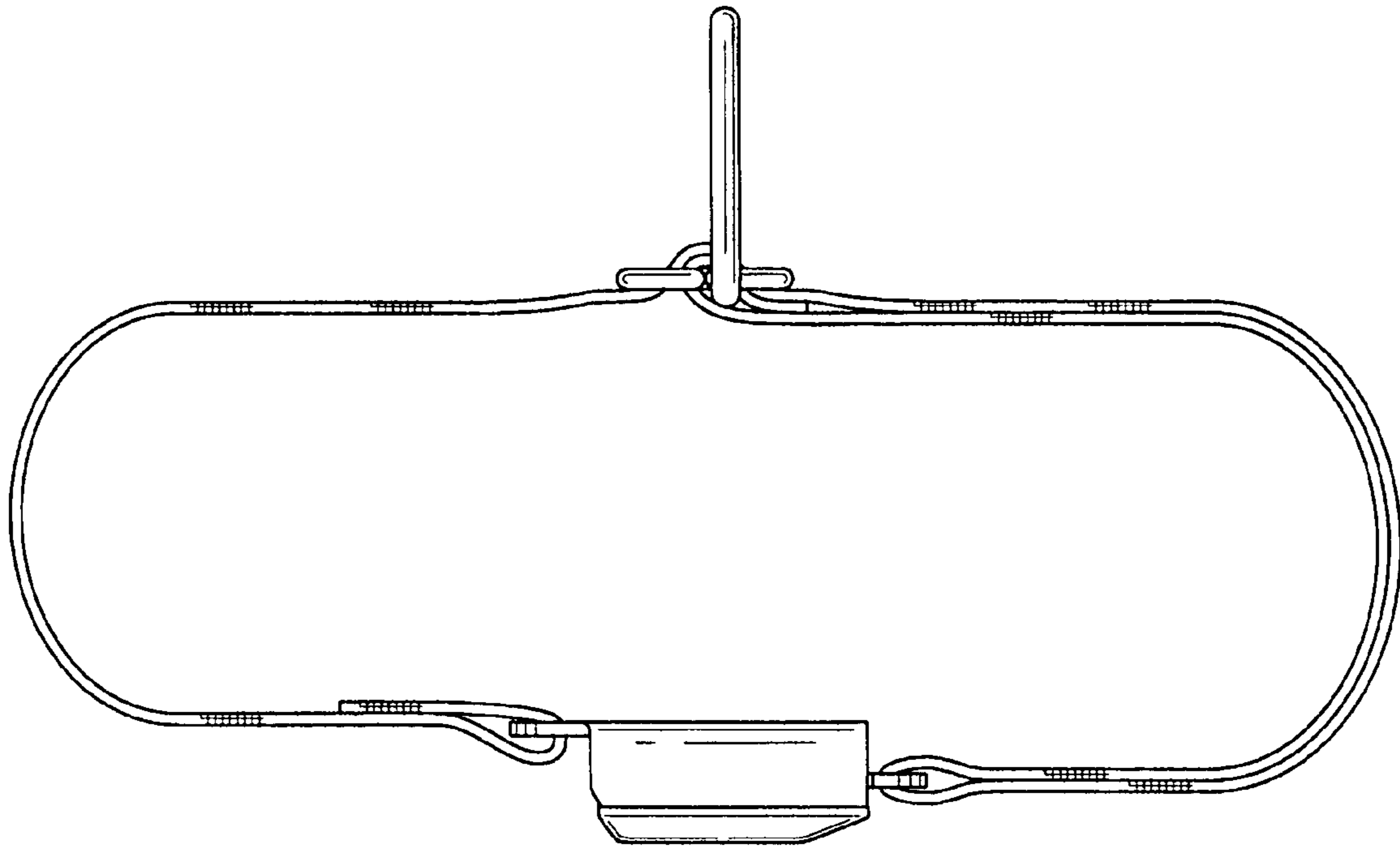


FIG. 6

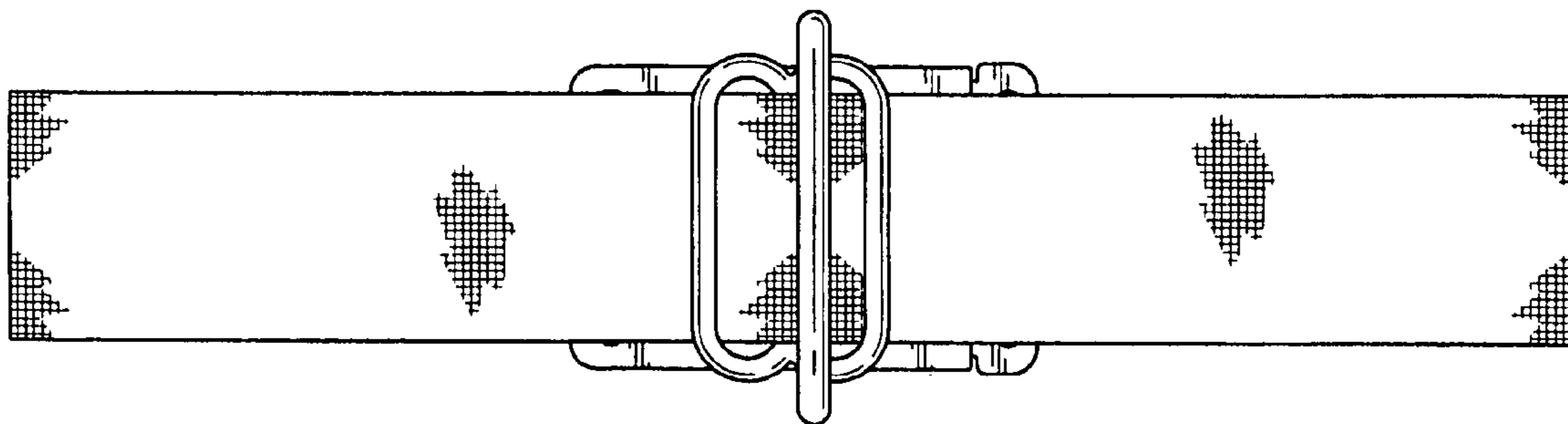


FIG. 7

