



US00D609404S

(12) **United States Design Patent**
Peyser et al.

(10) **Patent No.:** **US D609,404 S**
(45) **Date of Patent:** **** Feb. 2, 2010**

(54) **REFILL**

(75) Inventors: **Mark S. Peyser**, Easton, CT (US);
Donald P. Roche, Orange, CT (US);
Paul Skibo, Naugatuck, CT (US)

(73) Assignee: **Eveready Battery Company, Inc.**, St. Louis, MO (US)

(**) Term: **14 Years**

(21) Appl. No.: **29/320,238**

(22) Filed: **Jun. 24, 2008**

(51) **LOC (9) Cl.** **28-03**

(52) **U.S. Cl.** **D28/47**

(58) **Field of Classification Search** 30/32,
30/34.05, 34.1-34.2, 41-41.8, 44-45, 48-50,
30/526-533, 77-83; D28/44, 45-48
See application file for complete search history.

(56) **References Cited**

U.S. PATENT DOCUMENTS

D500,169 S	12/2004	Dombrowski et al.	
D524,985 S	7/2006	Lukan et al.	
7,172,069 B2	2/2007	Coffin et al.	
D550,400 S	9/2007	Orloff et al.	
D556,378 S *	11/2007	Watson et al.	D28/47
D559,454 S *	1/2008	Padain et al.	D28/47
D563,044 S *	2/2008	Ramm	D28/47

2003/0200659 A1	10/2003	Coffin et al.	
2005/0278954 A1	12/2005	Orloff et al.	
2007/0006464 A1	1/2007	Bunnell et al.	
2007/0180700 A9*	8/2007	Sandor et al.	30/41
2007/0245576 A1*	10/2007	Peyser et al.	30/529

* cited by examiner

Primary Examiner—Jennifer Rivard

(74) *Attorney, Agent, or Firm*—Energizer PersonalCare LLC

(57) **CLAIM**

We claim the ornamental design for the refill, as shown and described.

DESCRIPTION

FIG. 1 is a bottom perspective view of the refill.

FIG. 2 is a top perspective view of the refill.

FIG. 3 is a top view of the refill.

FIG. 4 is a bottom view of the refill.

FIG. 5 is a front view of FIG. 3.

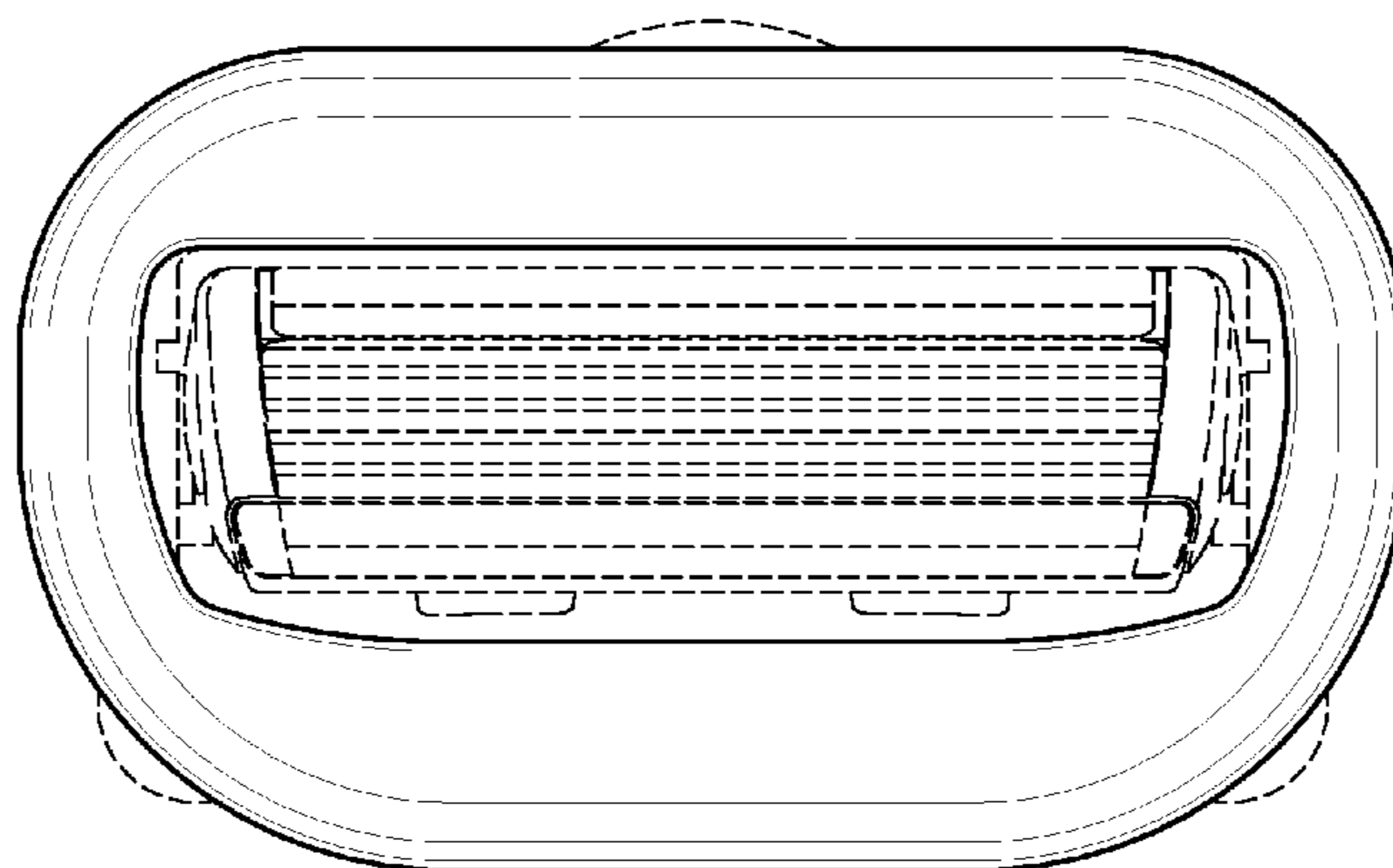
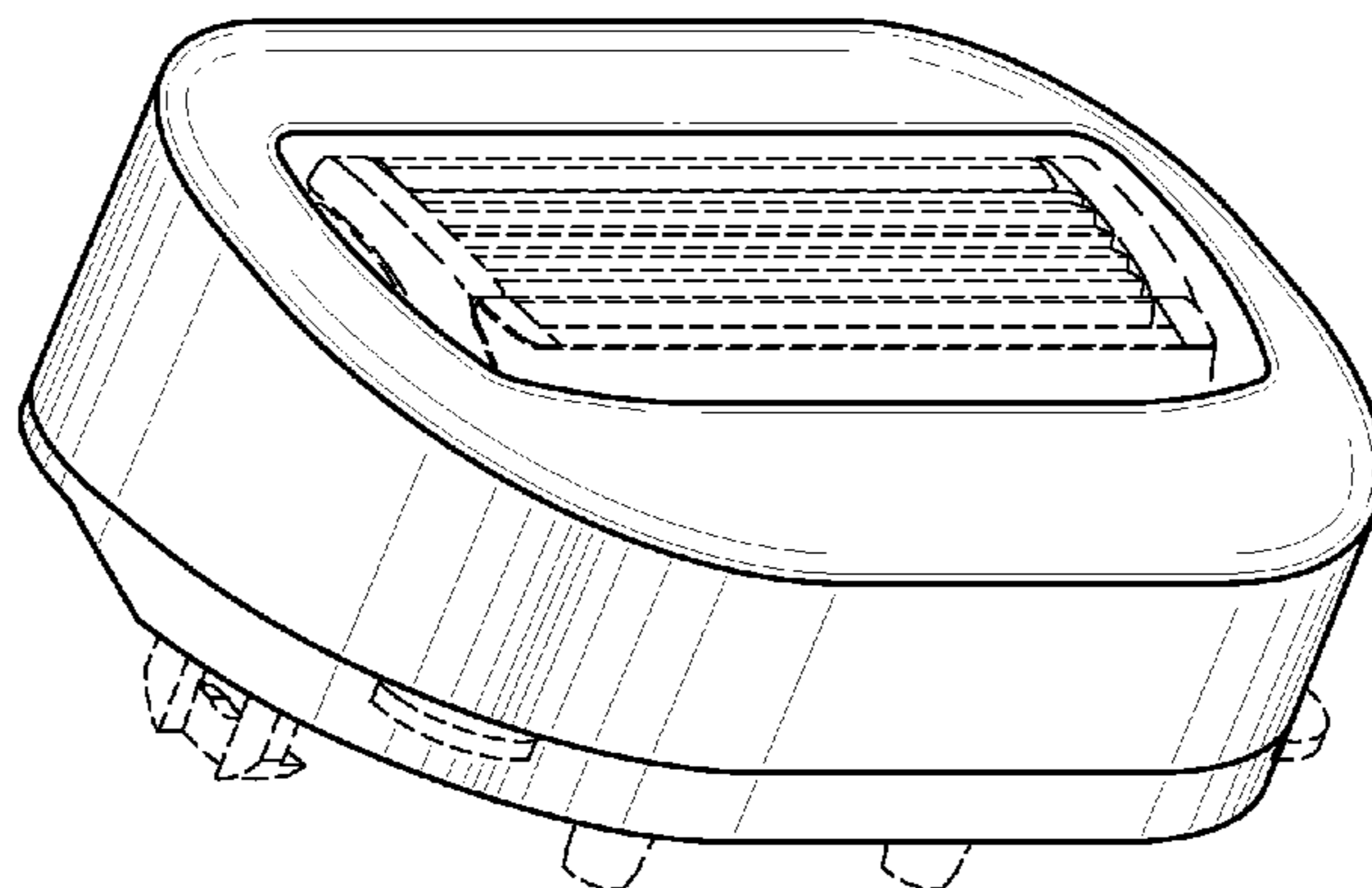
FIG. 6 is a back view of FIG. 3.

FIG. 7 is a left side view of FIG. 3; and,

FIG. 8 is a right side view of FIG. 3.

The broken lines in the figures are included for the purpose of illustrating a portion of the refill that forms no part of the claimed design.

1 Claim, 4 Drawing Sheets



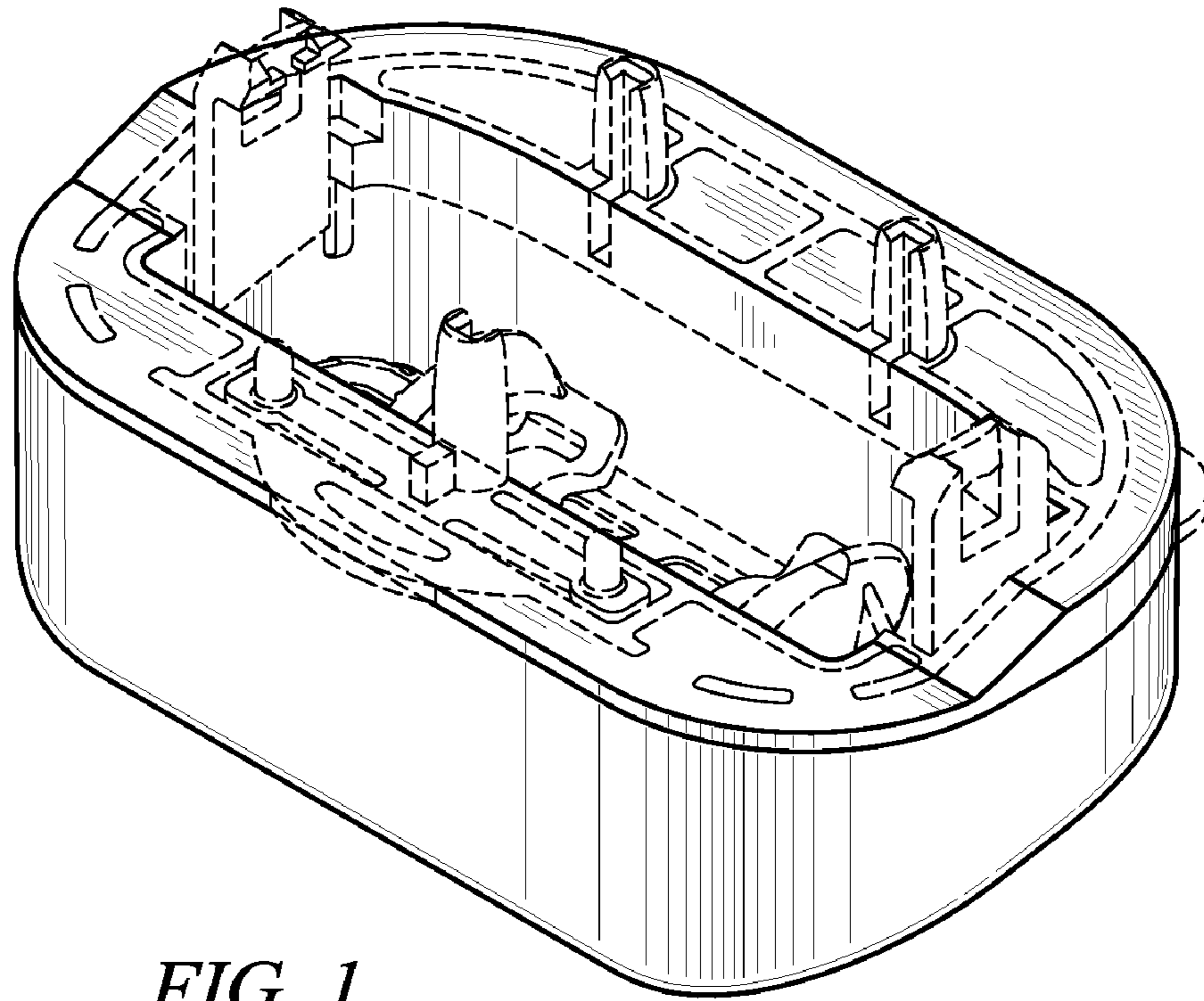


FIG. 1

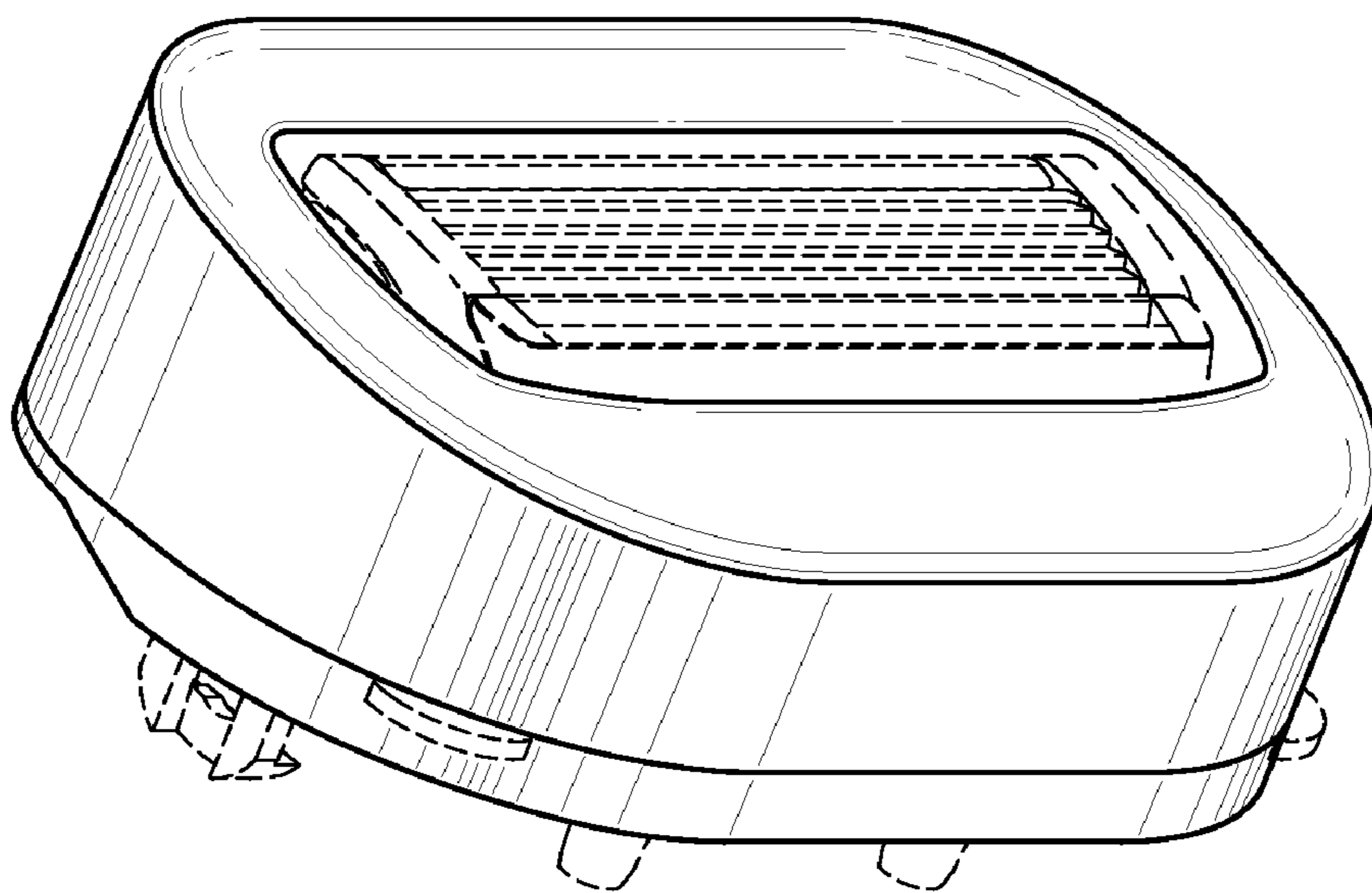


FIG. 2

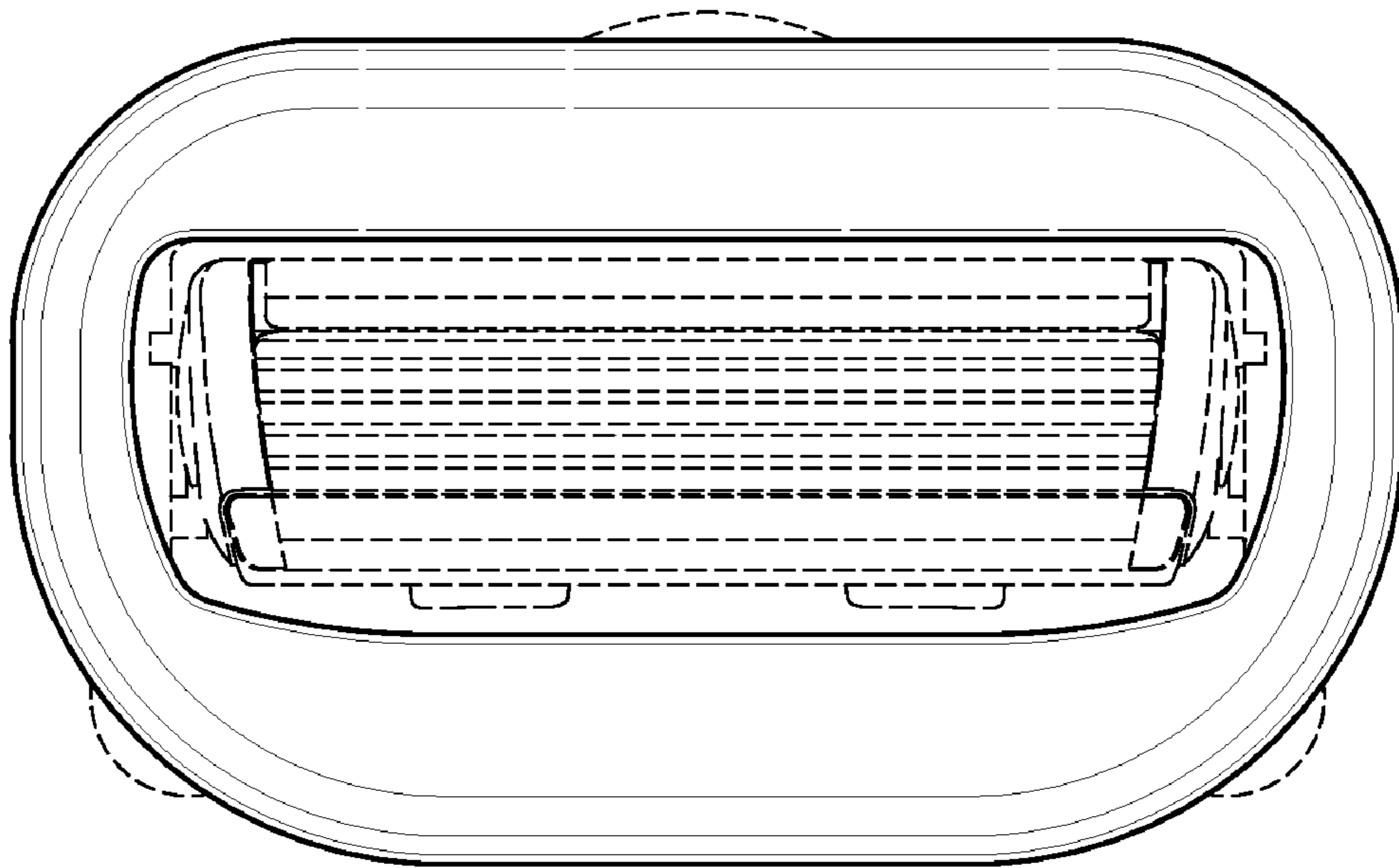


FIG. 3

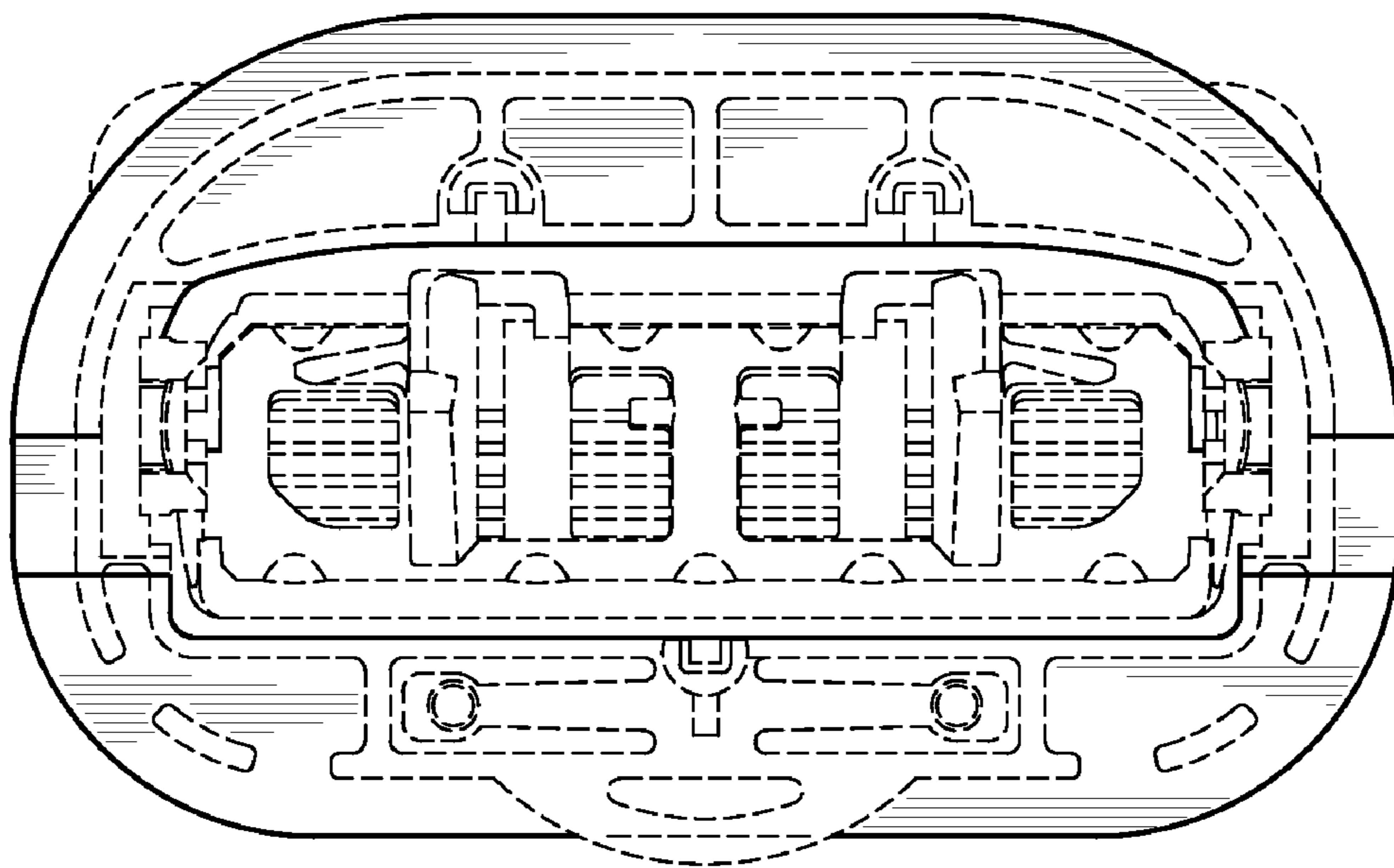


FIG. 4

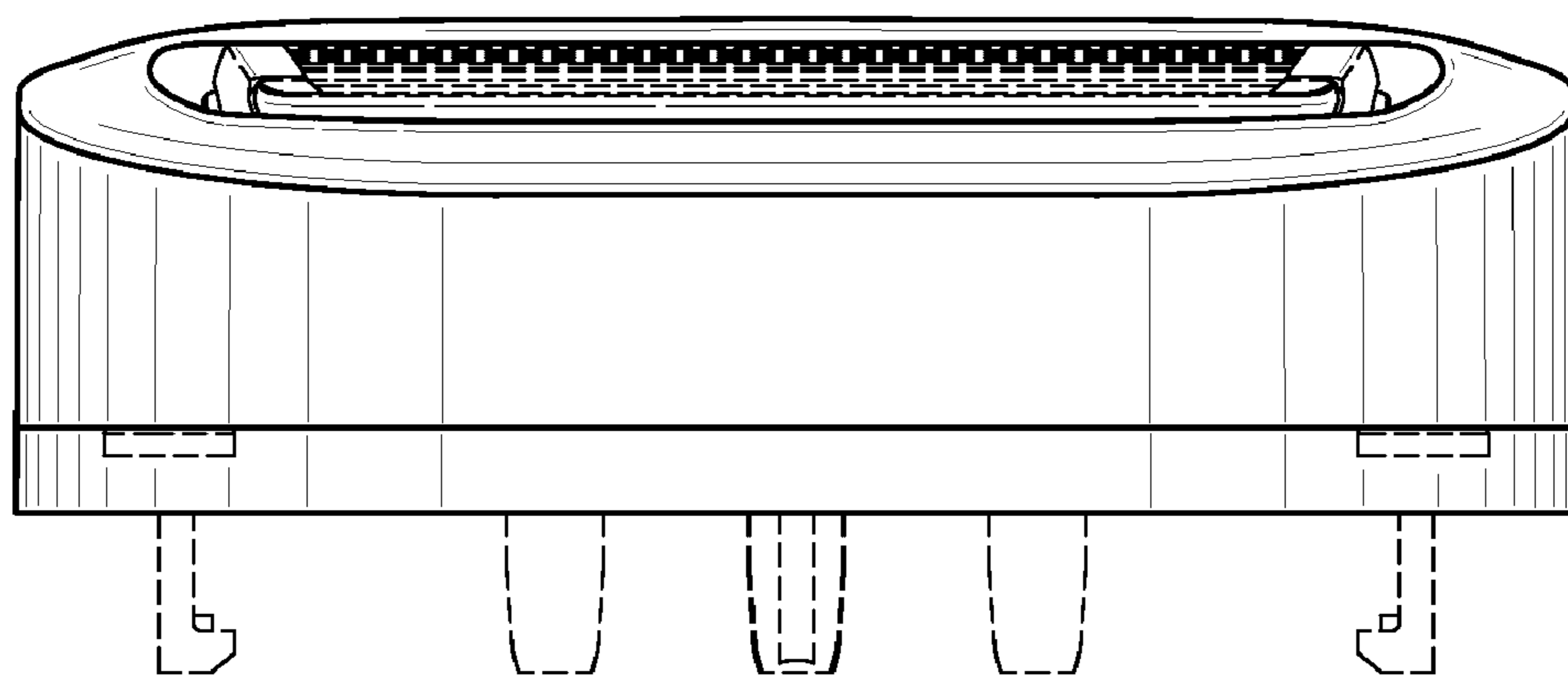


FIG. 5

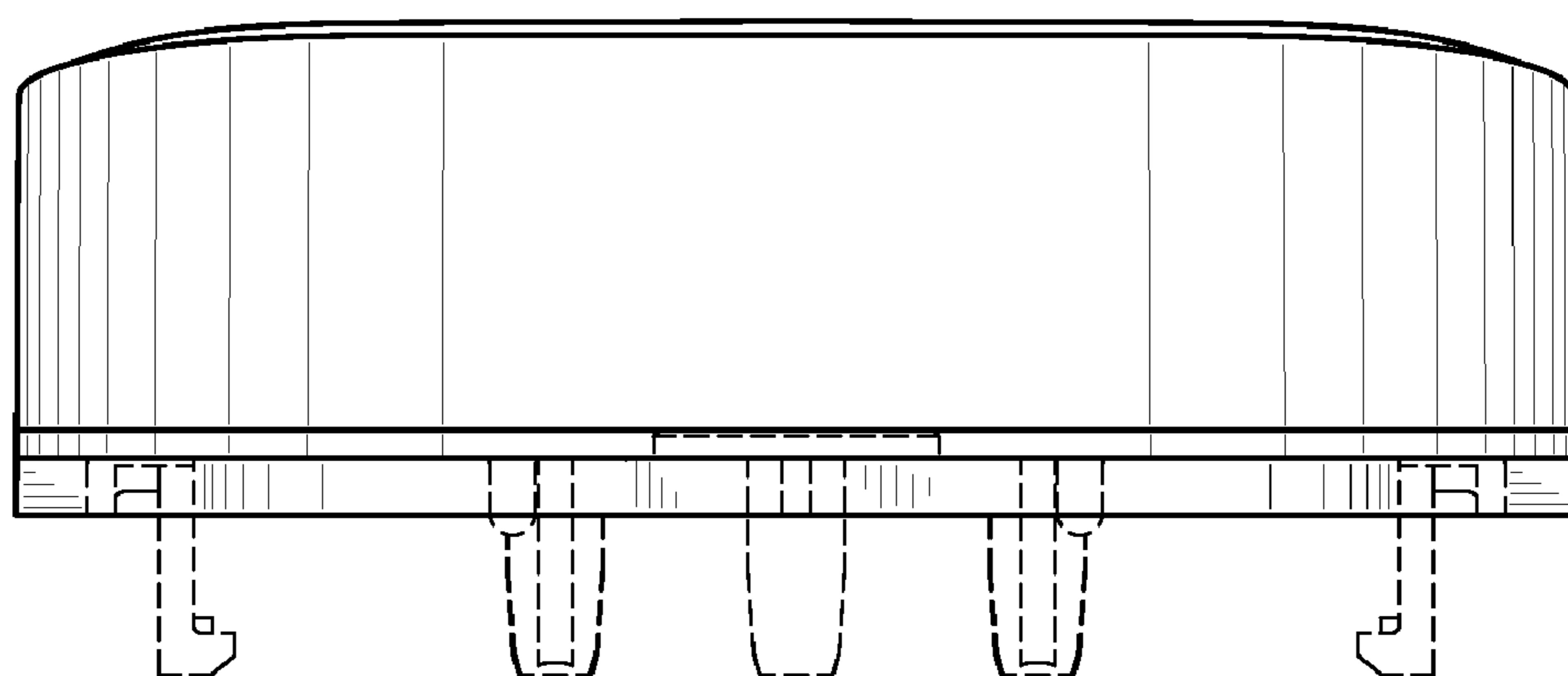


FIG. 6

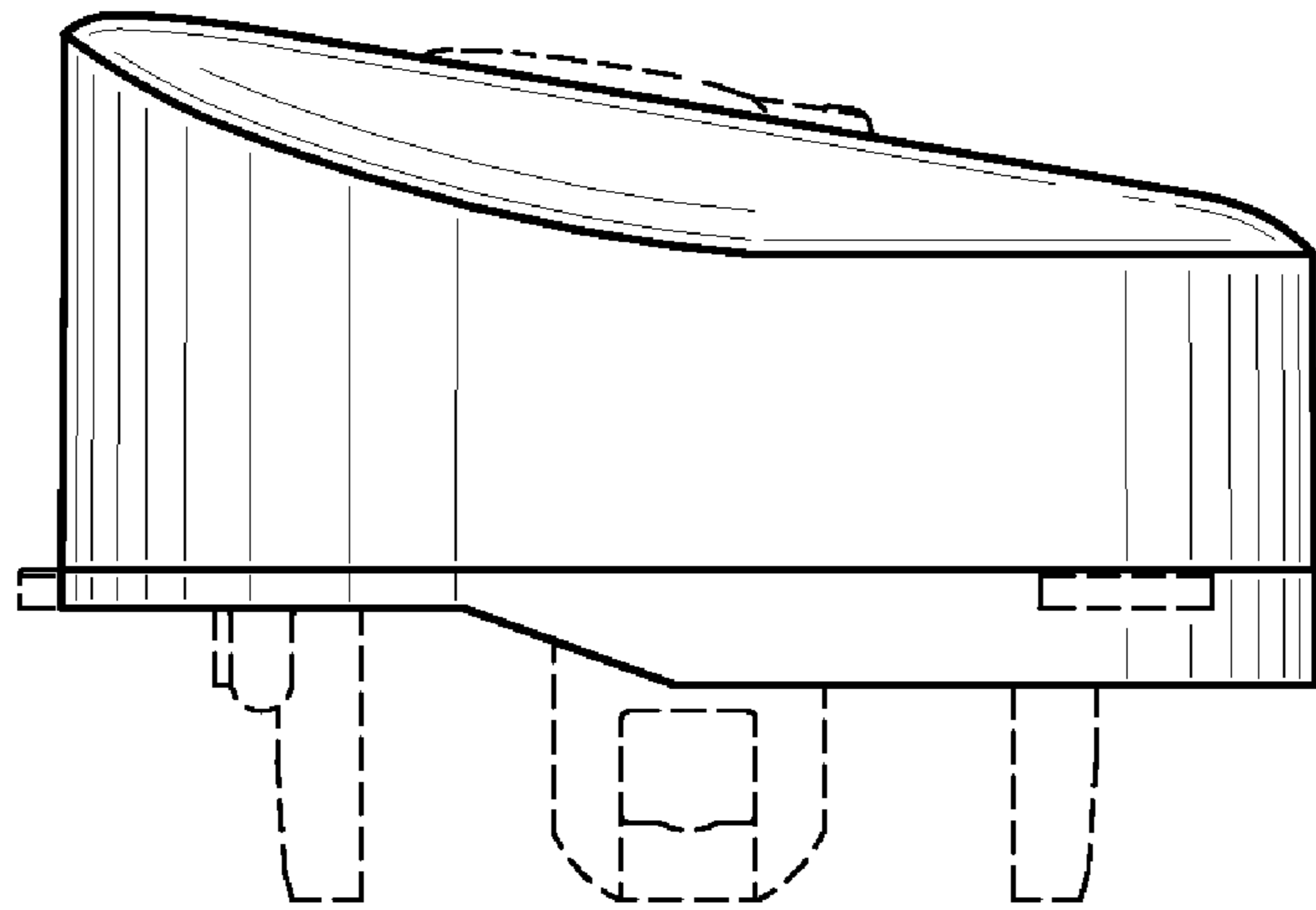


FIG. 7

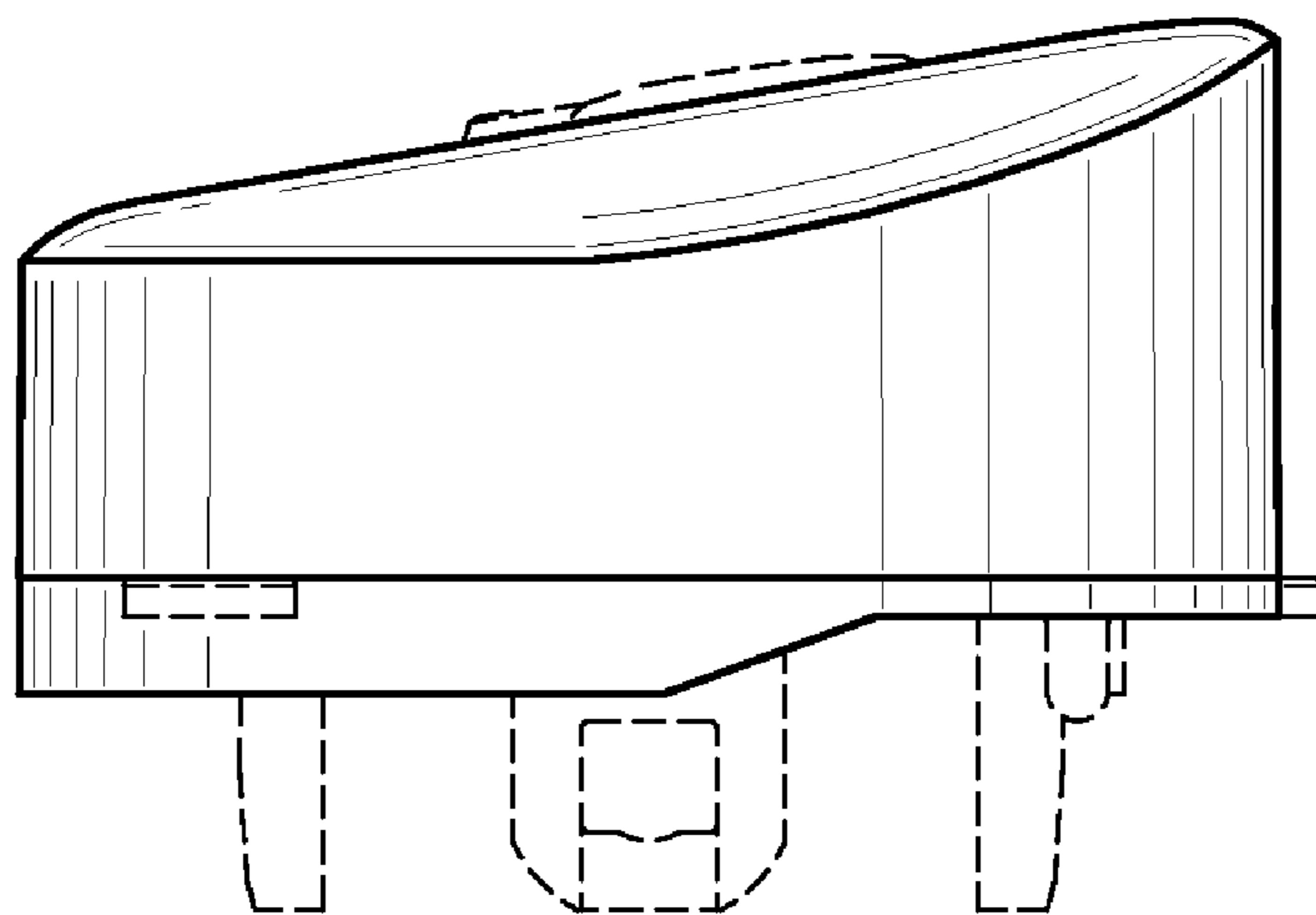


FIG. 8