



US00D609403S

(12) **United States Design Patent**  
**Cho**

(10) **Patent No.:** **US D609,403 S**  
(45) **Date of Patent:** **\*\* Feb. 2, 2010**

(54) **EYELASH CURLER**

*Primary Examiner*—Jennifer Rivard  
(74) *Attorney, Agent, or Firm*—Maria Erlinda Co Sarno

(76) **Inventor:** **Yong Hoon Cho**, 604 Murfield Ct.,  
Fullerton, CA (US) 92835

(57) **CLAIM**

(\*\*) **Term:** **14 Years**

The ornamental design for an eyelash curler, as shown and described.

(21) **Appl. No.:** **29/315,331**

(22) **Filed:** **Jun. 15, 2009**

**DESCRIPTION**

(51) **LOC (9) Cl.** ..... **28-03**

FIG. 1 is a perspective view of the eyelash curler showing my new design;

(52) **U.S. Cl.** ..... **D28/36**

FIG. 2 is a left side view of the of the eyelash curler, the right side view being a mirror image thereof;

(58) **Field of Classification Search** ..... D28/35–36;  
132/216–217

FIG. 3 is a front view of the eyelash curler thereof;

See application file for complete search history.

FIG. 4 is a rear view of the eyelash curler thereof;

(56) **References Cited**

**U.S. PATENT DOCUMENTS**

FIG. 5 is a top view of the eyelash curler thereof; and,

FIG. 6 is a bottom view of the eyelash curler thereof.

D430,955 S *	9/2000	Ishida	.....	D28/36
D437,660 S *	2/2001	Kim	.....	D28/36
D515,242 S *	2/2006	Cho	.....	D28/36
D559,449 S *	1/2008	Lin	.....	D28/36
D573,307 S *	7/2008	Cho	.....	D28/36

The broken line disclosure of the spring is shown for the purpose of illustrating environment and forms no part of the claimed design.

\* cited by examiner

**1 Claim, 4 Drawing Sheets**

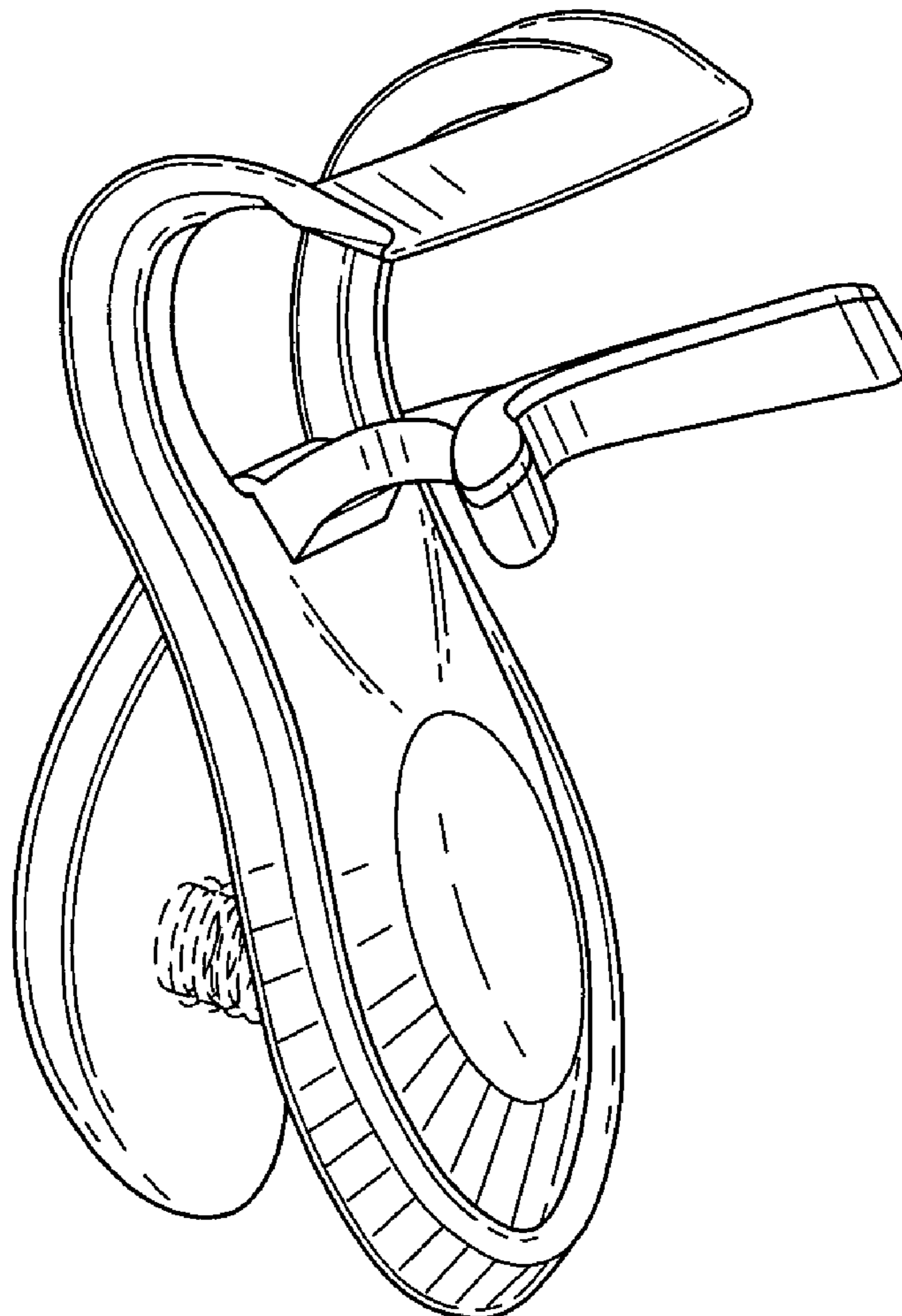


FIG. 1

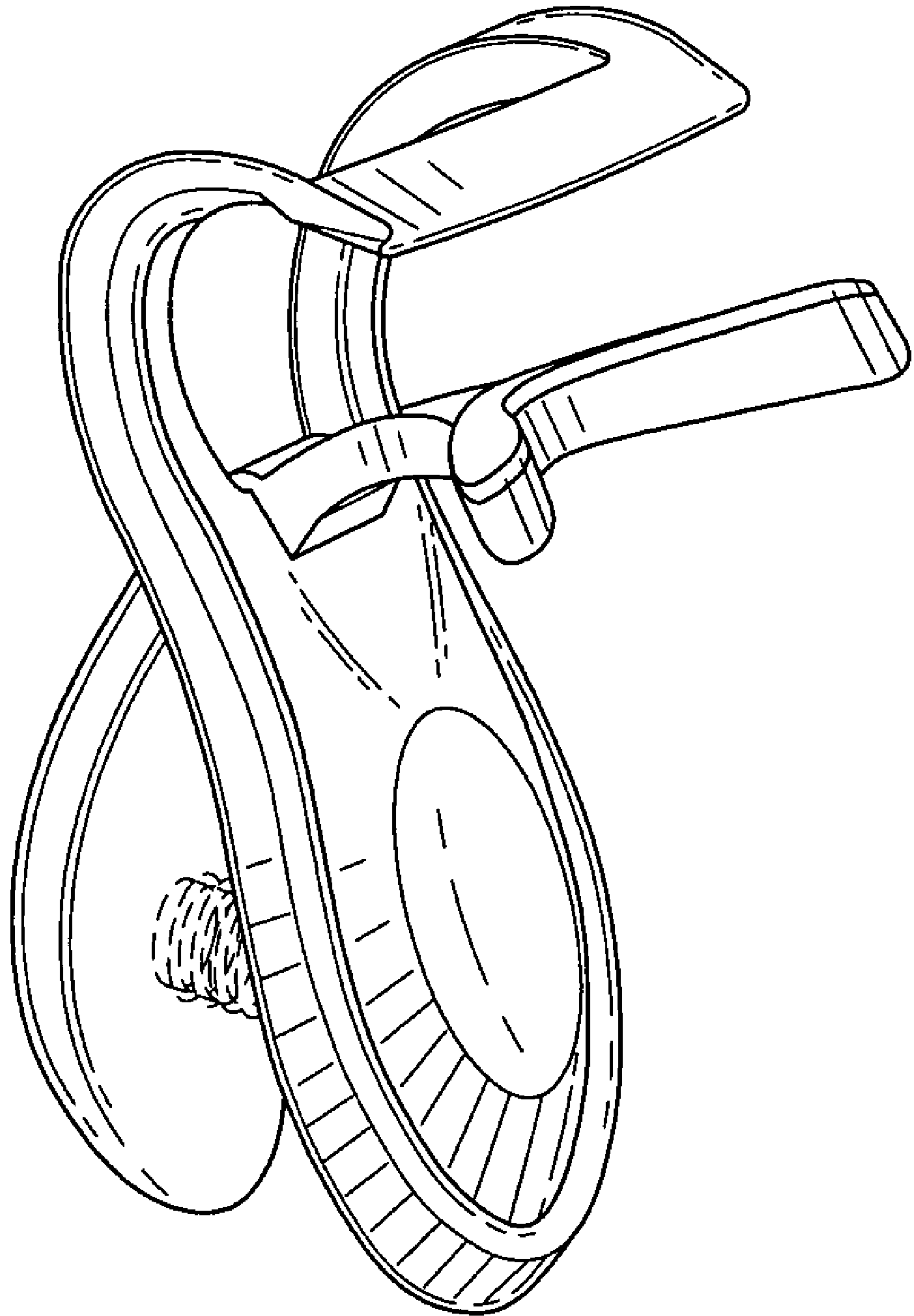


FIG. 2

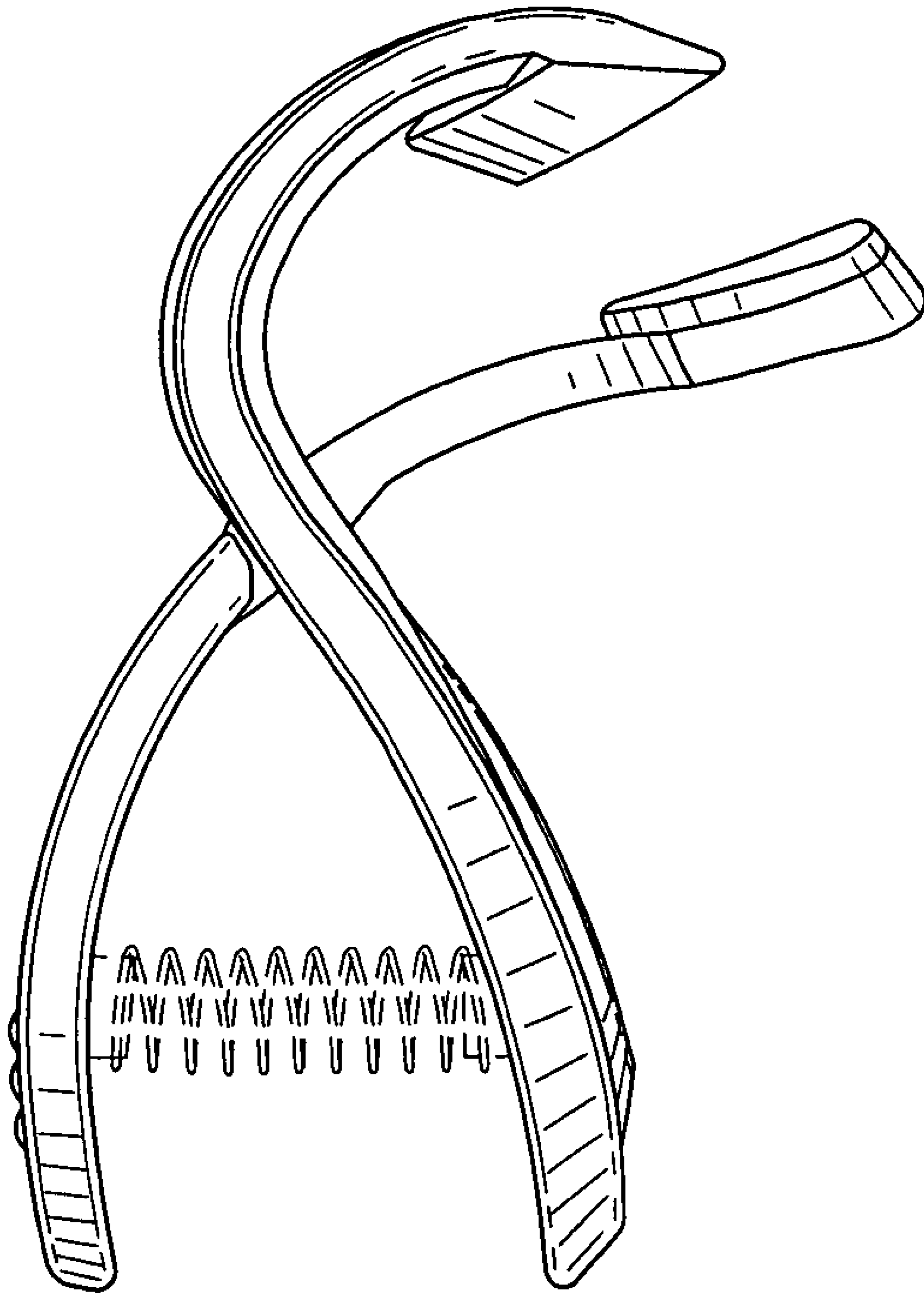


FIG. 3

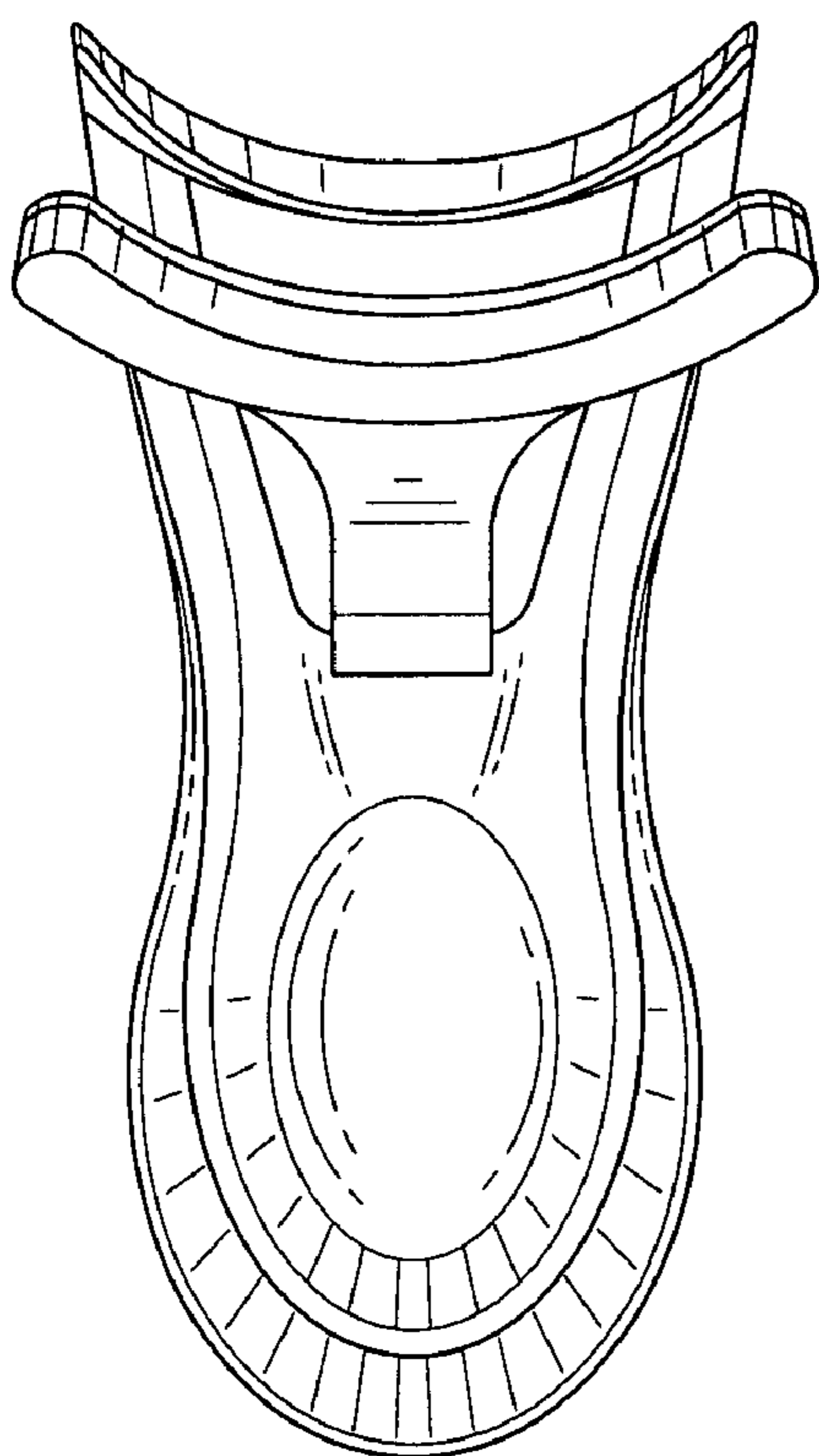


FIG. 4

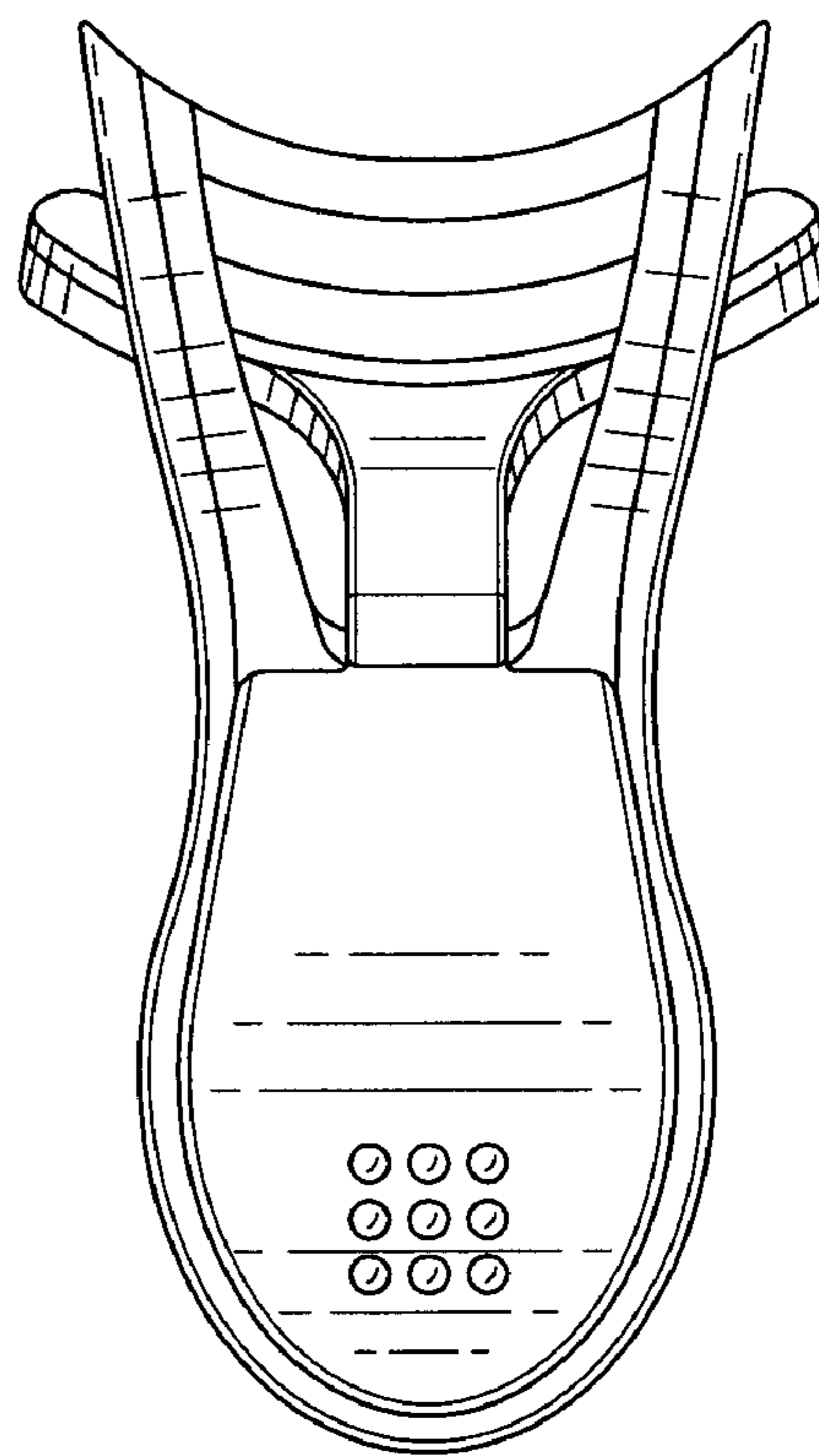


FIG. 5

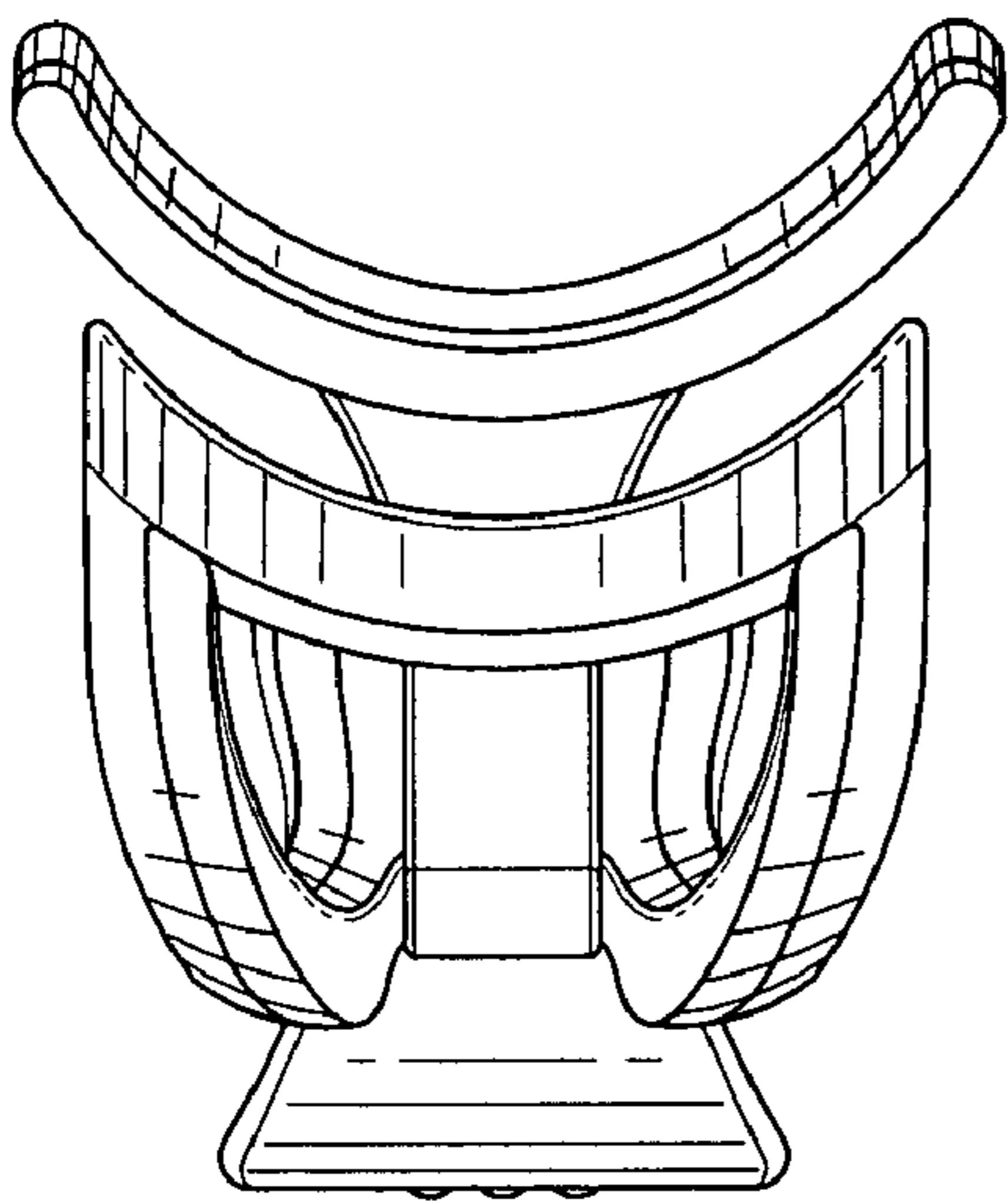


FIG. 6

