



US00D609401S

(12) **United States Design Patent**
Yang

(10) **Patent No.:** **US D609,401 S**

(45) **Date of Patent:** **** Feb. 2, 2010**

(54) **HAIR STRAIGHTENER**

(76) Inventor: **Yanguo Yang**, Building 15, Shaer Industrial Park, Ditang Rd., Shajing Baoan, Shenzhen, 518104 (CN)

(**) Term: **14 Years**

(21) Appl. No.: **29/333,798**

(22) Filed: **Mar. 16, 2009**

(51) **LOC (9) Cl.** **28-03**

(52) **U.S. Cl.** **D28/35**

(58) **Field of Classification Search** D28/35-38;
132/222-229, 232, 125, 234, 245; 219/222,
219/225-227

See application file for complete search history.

(56) **References Cited**

U.S. PATENT DOCUMENTS

D586,038 S *	2/2009	Kim	D28/35
D586,039 S *	2/2009	Kim	D28/35
D596,791 S *	7/2009	Russo	D28/35
D596,794 S *	7/2009	Keong	D28/35
D596,797 S *	7/2009	Kwok	D28/35
D596,800 S *	7/2009	Kwok	D28/35

D599,058 S * 8/2009 Kim D28/35

* cited by examiner

Primary Examiner—Jennifer Rivard

(74) *Attorney, Agent, or Firm*—Stetina Brunda Garred & Brucker

(57) **CLAIM**

I claim the ornamental design for a hair straightener, as shown and described.

DESCRIPTION

FIG. 1 is a perspective view of a hair straightener showing my new design;

FIG. 2 is a front view thereof;

FIG. 3 is a rear view thereof;

FIG. 4 is a left view thereof;

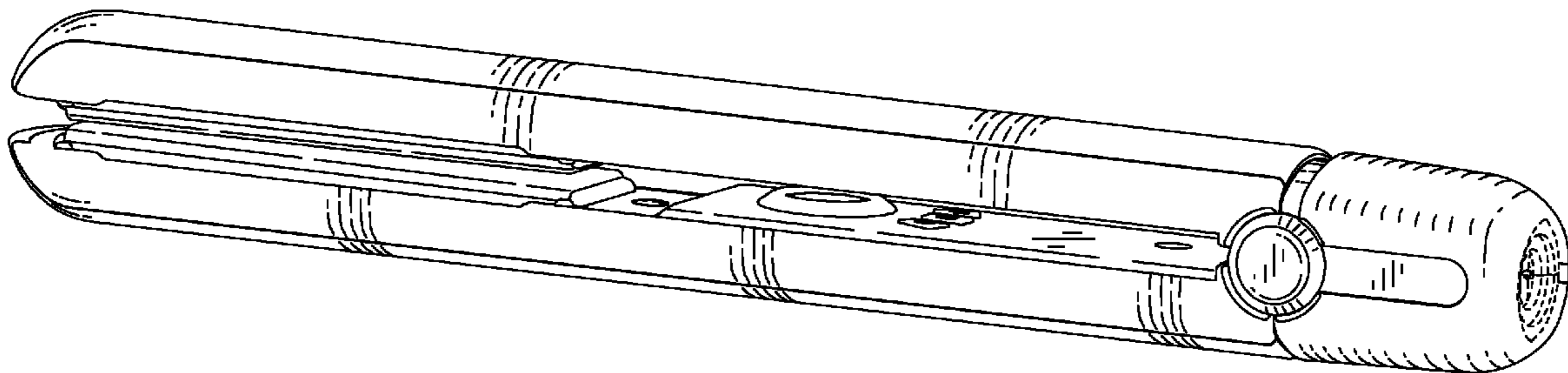
FIG. 5 is a right view thereof;

FIG. 6 is a top view thereof; and,

FIG. 7 is a bottom view thereof.

The broken lines shown in the drawings illustrate portions of the article and form no part of the claimed design.

1 Claim, 2 Drawing Sheets



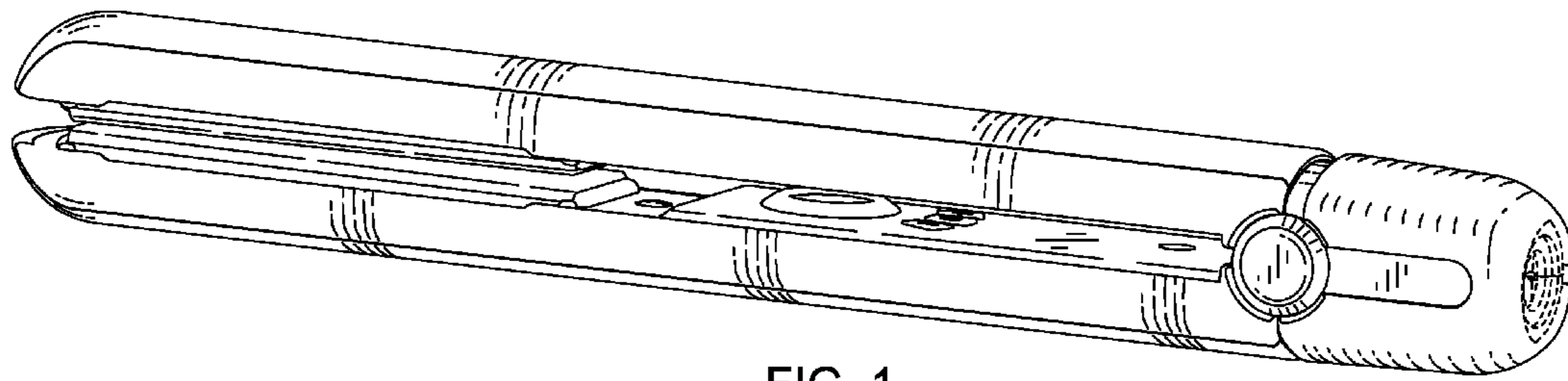


FIG. 1

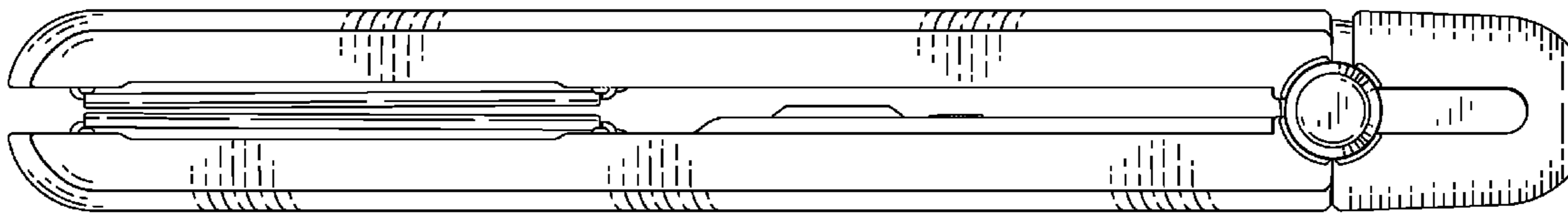


FIG. 2

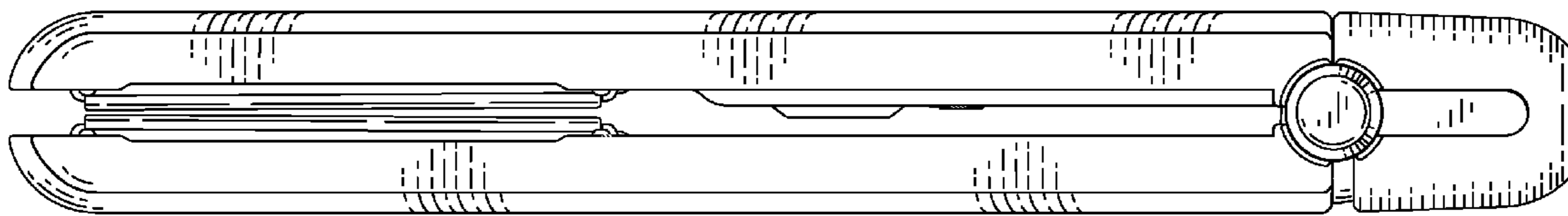


FIG. 3

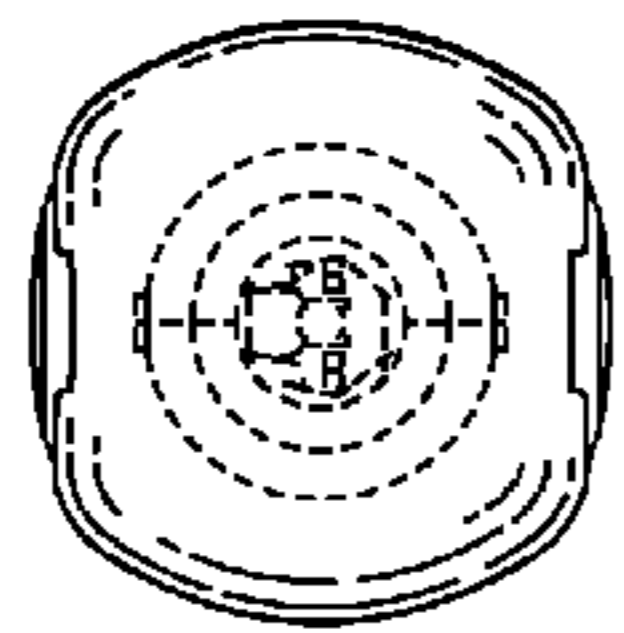


FIG. 4

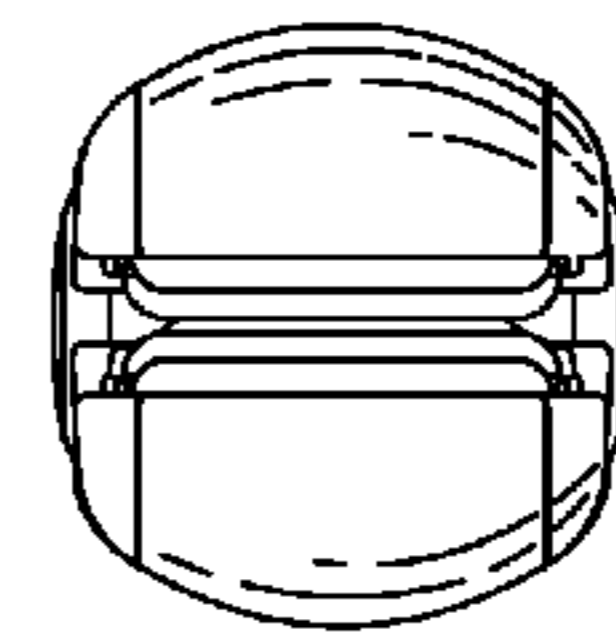


FIG. 5

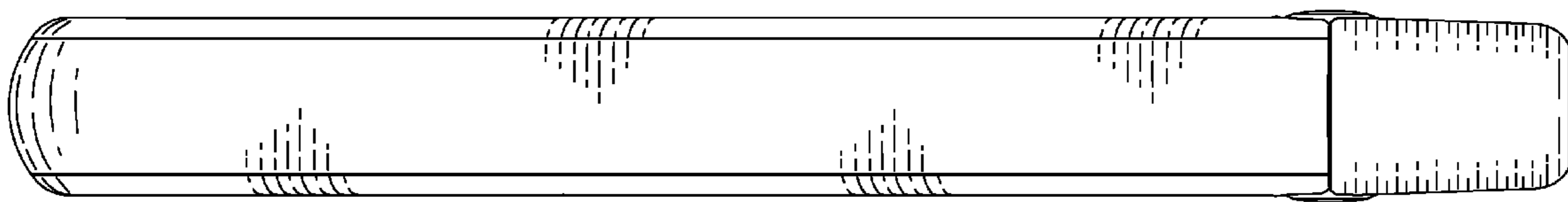


FIG. 6

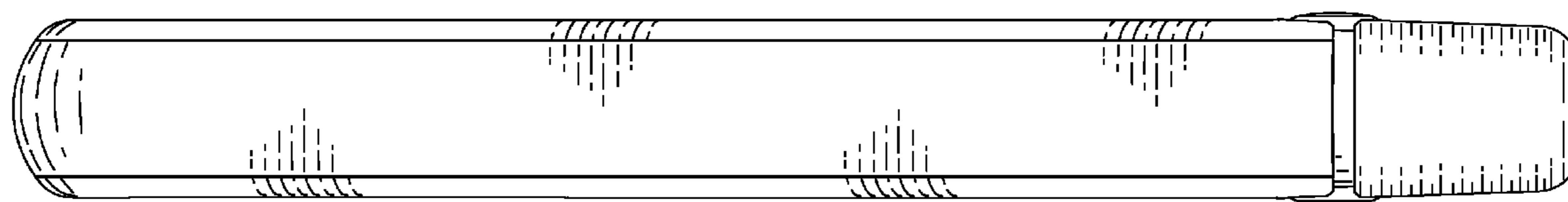


FIG. 7