



US00D609400S

(12) **United States Design Patent**  
**Yang**

(10) **Patent No.:** **US D609,400 S**

(45) **Date of Patent:** **\*\* Feb. 2, 2010**

(54) **HAIR STRAIGHTENER**

(76) **Inventor:** **Yanguo Yang**, Building 15, Shaer Industrial Park, Ditang Rd., Shajing Baoan, Shenzhen (CN) 518104

(\*\*) **Term:** **14 Years**

(21) **Appl. No.:** **29/332,928**

(22) **Filed:** **Feb. 27, 2009**

(51) **LOC (9) Cl.** ..... **28-03**

(52) **U.S. Cl.** ..... **D28/35**

(58) **Field of Classification Search** ..... D28/35-38;  
132/222-229, 232, 125, 234, 245; 219/222,  
219/225-227

See application file for complete search history.

(56) **References Cited**

**U.S. PATENT DOCUMENTS**

- D581,592 S \* 11/2008 Hein ..... D28/35
- D596,796 S \* 7/2009 Keong et al. .... D28/35
- D596,801 S \* 7/2009 Keong ..... D28/35

\* cited by examiner

*Primary Examiner*—Jennifer Rivard

(74) *Attorney, Agent, or Firm*—Stetina Brunda Garred & Brucker

(57) **CLAIM**

I claim the ornamental design for a hair straightener, as shown and described.

**DESCRIPTION**

FIG. 1 is a perspective view of a hair straightener showing my new design;

FIG. 2 is a front view thereof;

FIG. 3 is a rear view thereof;

FIG. 4 is a left view thereof;

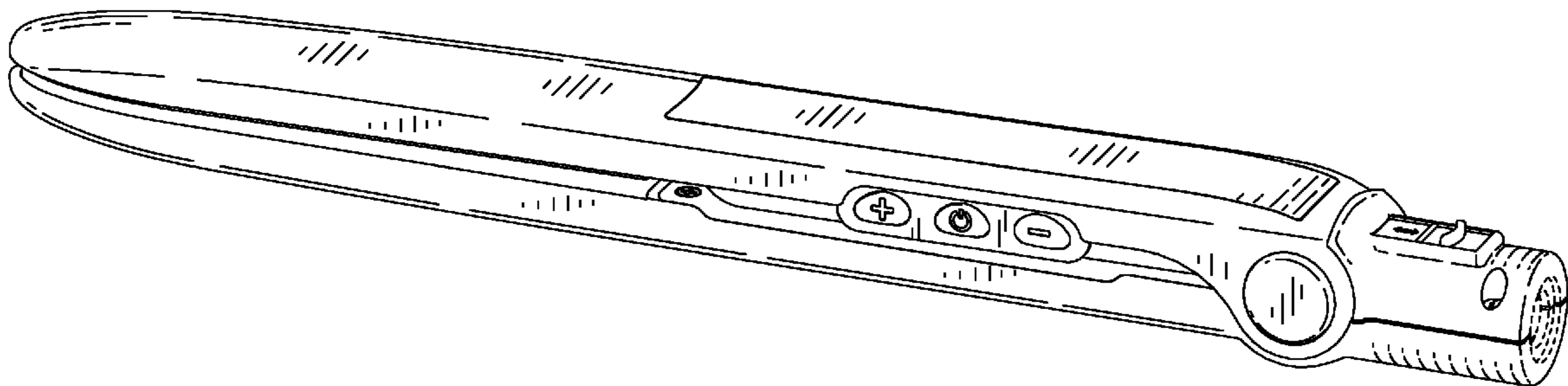
FIG. 5 is a right view thereof;

FIG. 6 is a top view thereof; and,

FIG. 7 is a bottom view thereof.

The broken lines shown in the drawings illustrate portions of the article and form no part of the claimed design.

**1 Claim, 2 Drawing Sheets**



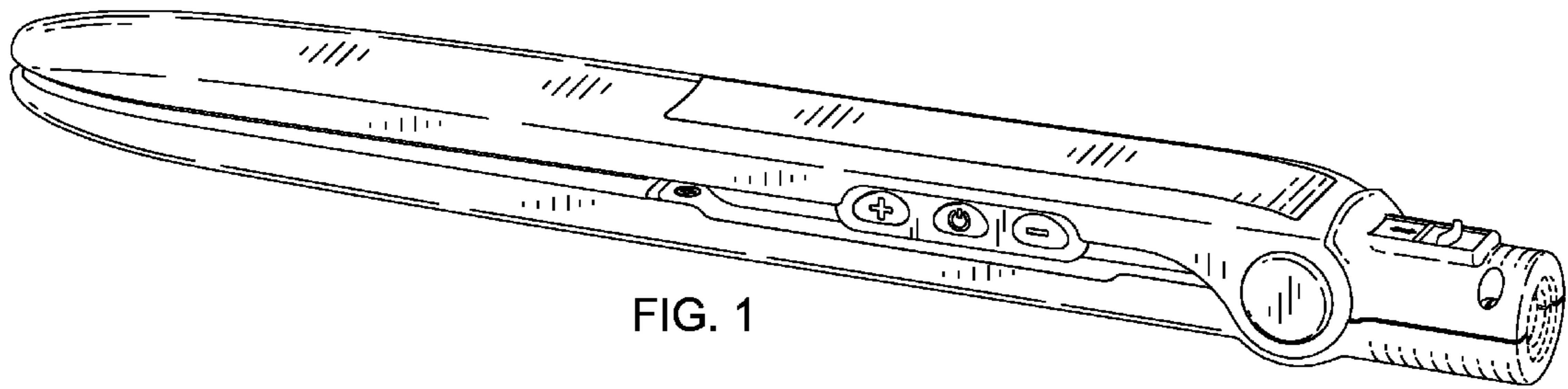


FIG. 1

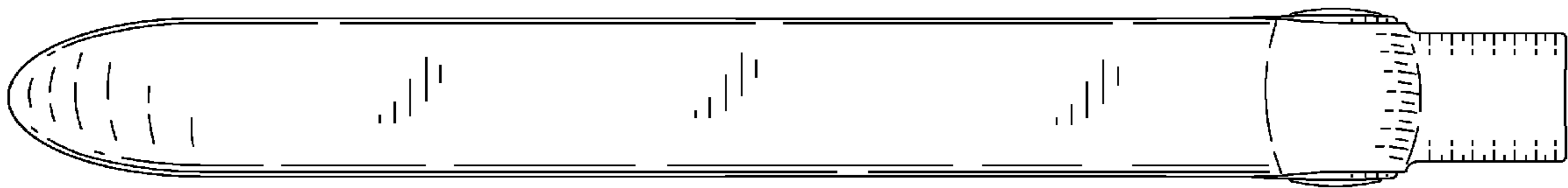


FIG. 7

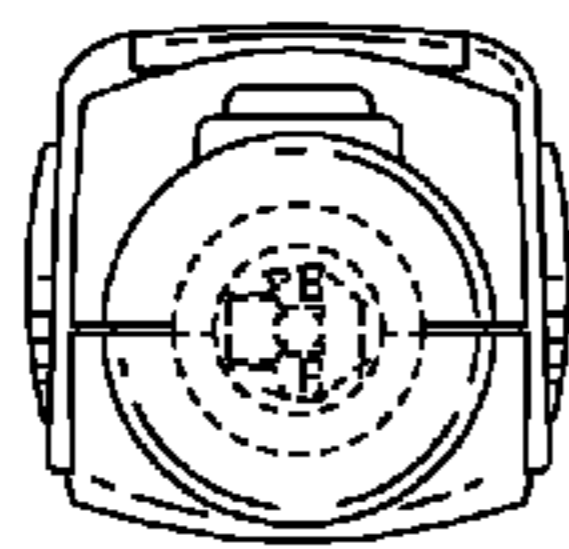


FIG. 4

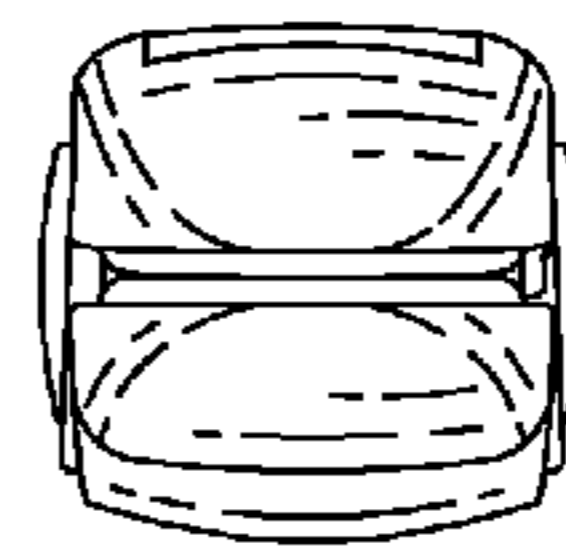


FIG. 5

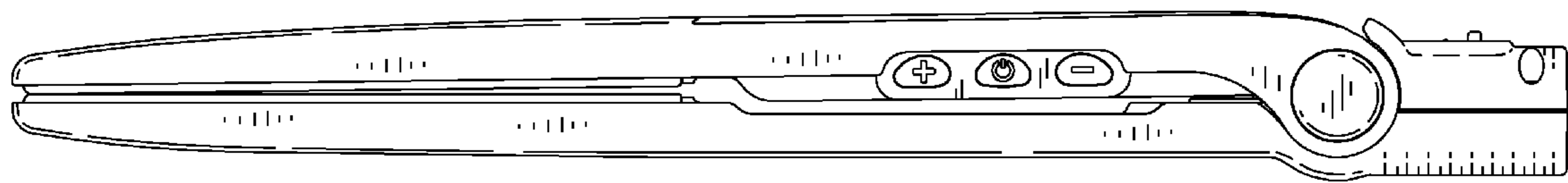


FIG. 2

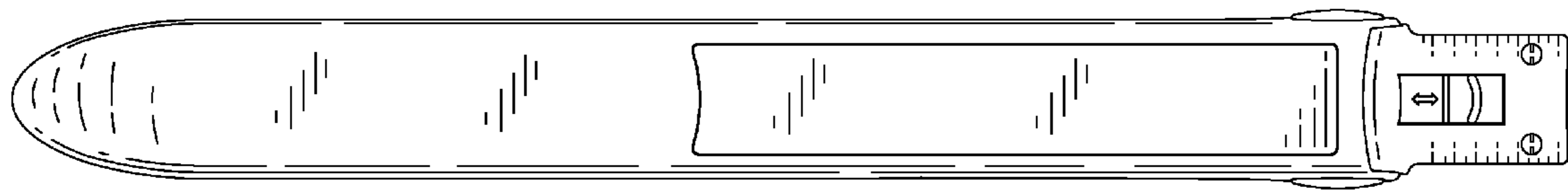


FIG. 6

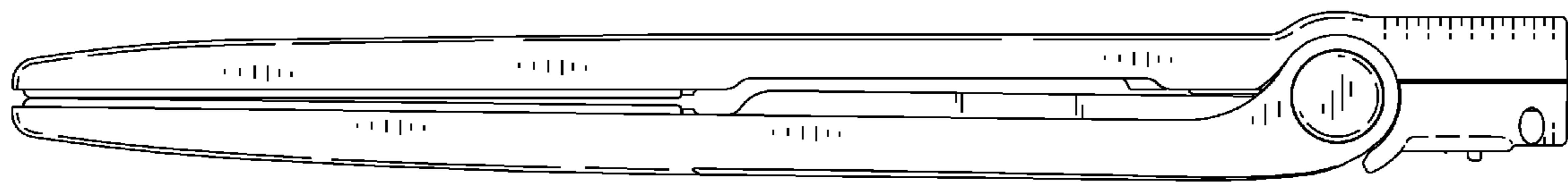


FIG. 3