



US00D609399S

(12) **United States Design Patent**
McCarthy

(10) **Patent No.:** **US D609,399 S**

(45) **Date of Patent:** **** *Feb. 2, 2010**

(54) **DUAL EYELASH AND BROW COMB**

(76) Inventor: **William M. McCarthy**, 46 Randolph Ave., Waterbury, CT (US) 06710

(*) Notice: This patent is subject to a terminal disclaimer.

(**) Term: **14 Years**

(21) Appl. No.: **29/282,403**

(22) Filed: **Jul. 19, 2007**

(51) **LOC (9) Cl.** **21-03**

(52) **U.S. Cl.** **D28/21; D28/29**

(58) **Field of Classification Search** D28/7,
D28/20-22, 30-31; 132/53, 112, 126, 150,
132/208, 216, 219

See application file for complete search history.

(56) **References Cited**

U.S. PATENT DOCUMENTS

D33,574 S *	11/1900	Grell	D28/29
D115,534 S *	7/1939	Twomey	D28/29
D115,687 S *	7/1939	Davis	D4/117
D142,711 S *	10/1945	Foster	D28/29
D169,792 S *	6/1953	Sklavenitis	D28/29
3,382,877 A *	5/1968	Cercone	132/213.1
D211,501 S *	6/1968	Gray	D28/29
D212,657 S *	11/1968	Kress	D28/29
D282,295 S *	1/1986	Harvey	D28/29
D308,583 S	6/1990	McCarthy	

D345,440 S * 3/1994 Van Dyk D28/29

* cited by examiner

Primary Examiner—Janice E Seeger

Assistant Examiner—Zenia I Bennett

(74) *Attorney, Agent, or Firm*—Pepper Hamilton LLP

(57) **CLAIM**

The ornamental design for a dual eyelash and brow comb, as shown and described.

DESCRIPTION

FIG. 1 is an isometric view of a dual eyelash and brow comb showing my new design with the top comb protruding;

FIG. 2 is an isometric view of a dual eyelash and brow comb in the closed position;

FIG. 3 is an isometric view of a dual eyelash and brow comb showing my new design with the bottom comb protruding;

FIG. 4 is a top plan view thereof;

FIG. 5 is a front elevational view of FIG. 1;

FIG. 6 is a side elevational view of FIG. 1;

FIG. 7 is a rear elevational view of FIG. 1;

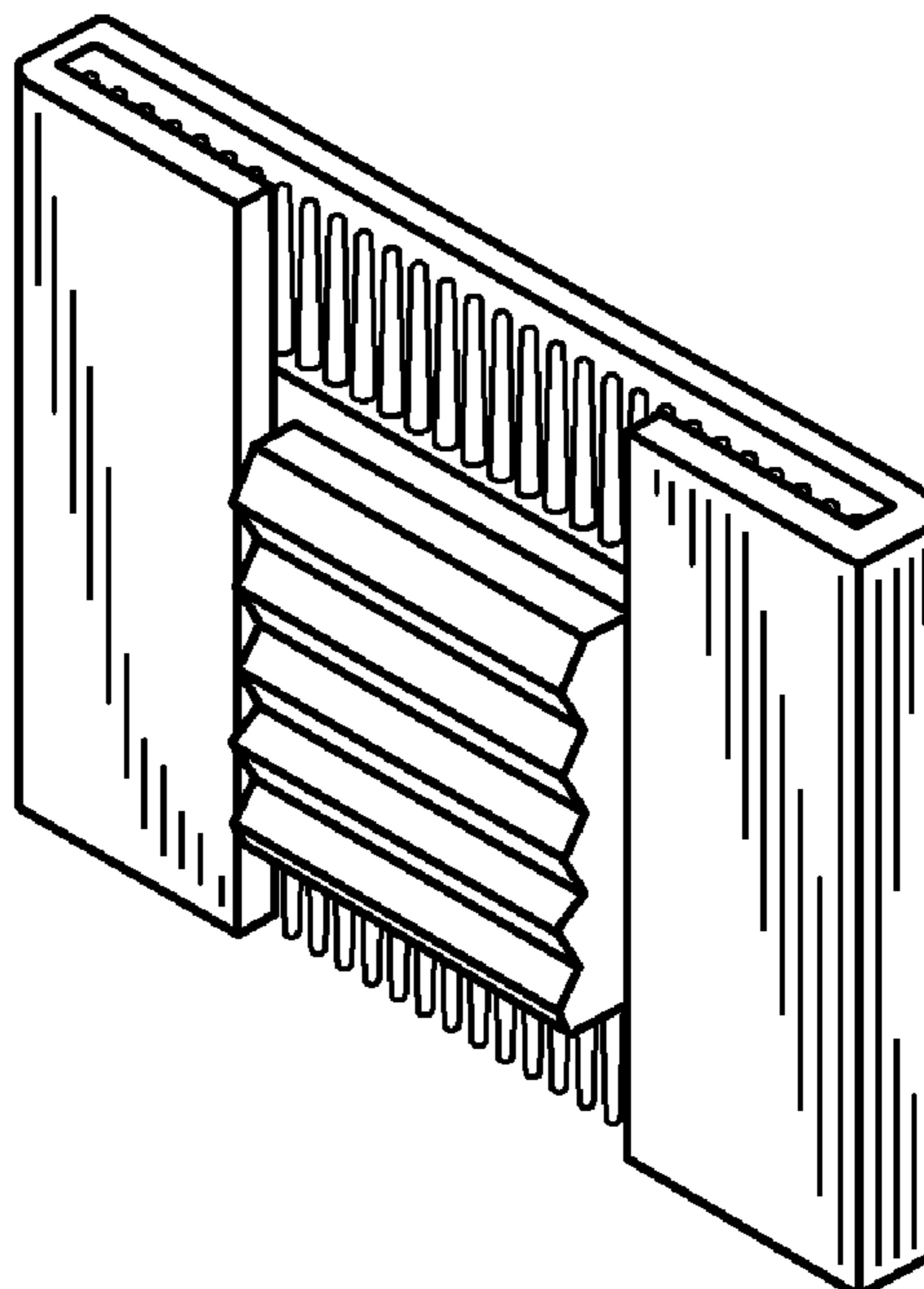
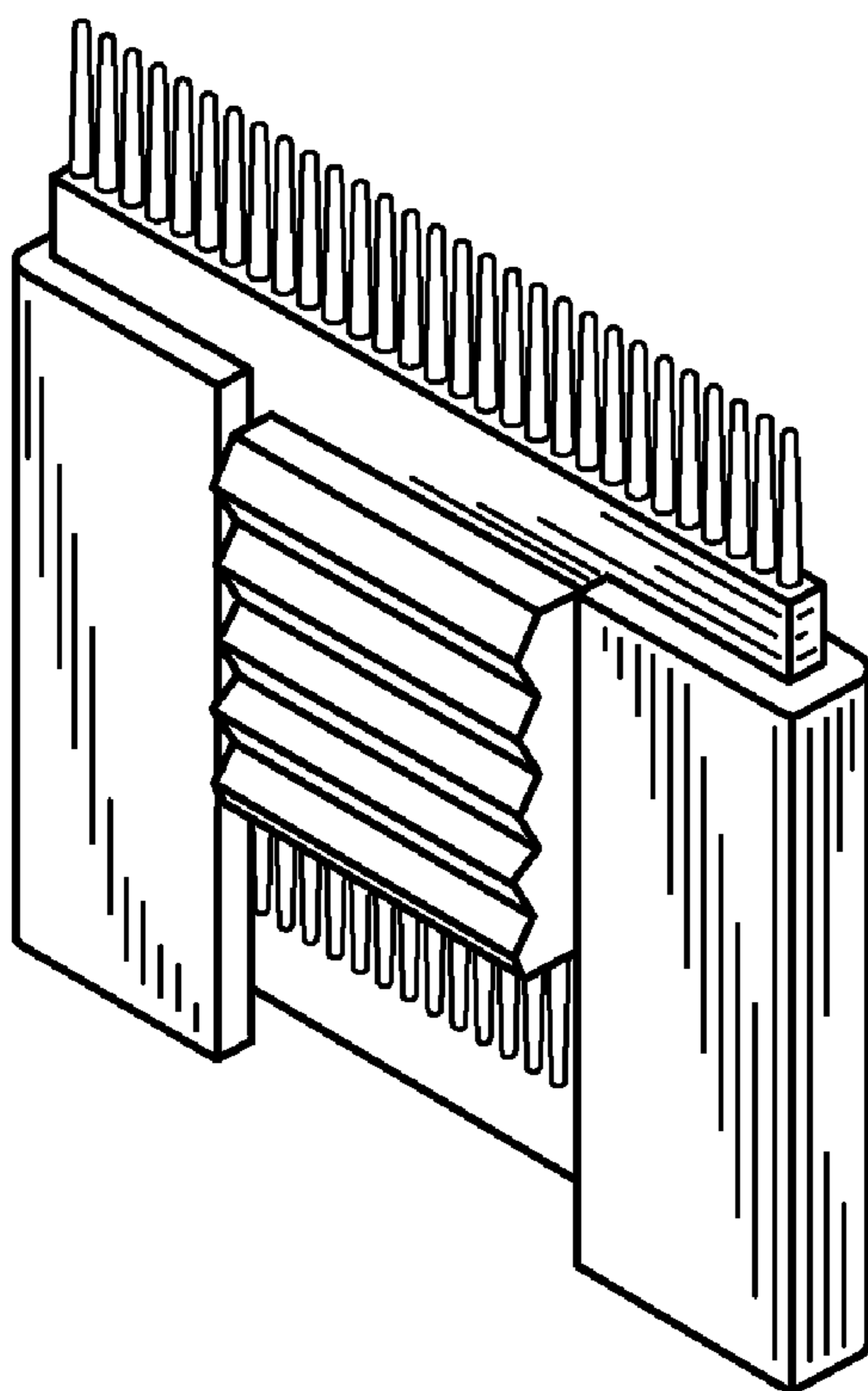
FIG. 8 is a front elevational view FIG. 3;

FIG. 9 is a side elevational view of FIG. 3;

FIG. 10 is a rear elevational view of FIG. 3; and,

FIG. 11 is a bottom plan view thereof.

1 Claim, 2 Drawing Sheets



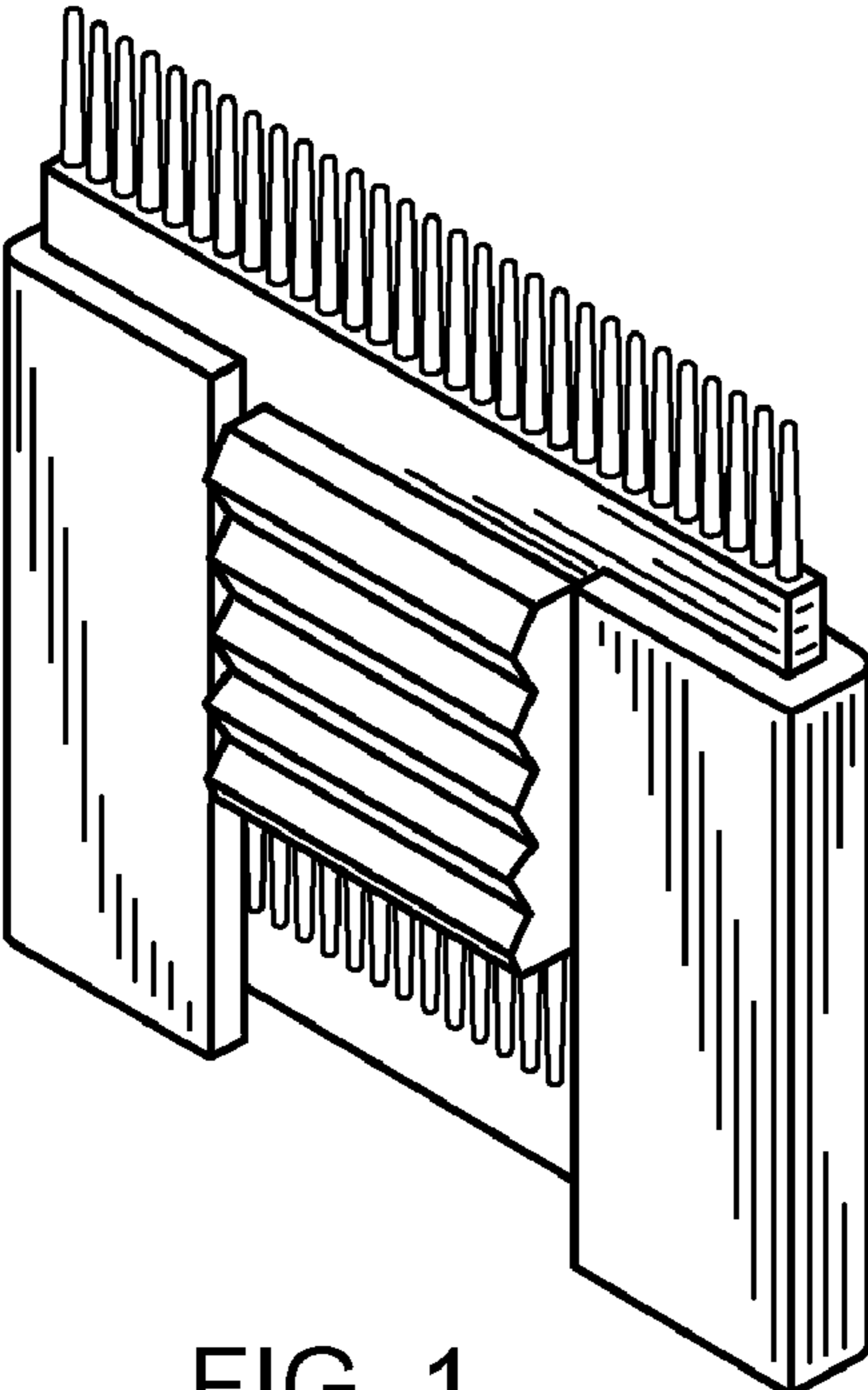


FIG. 1

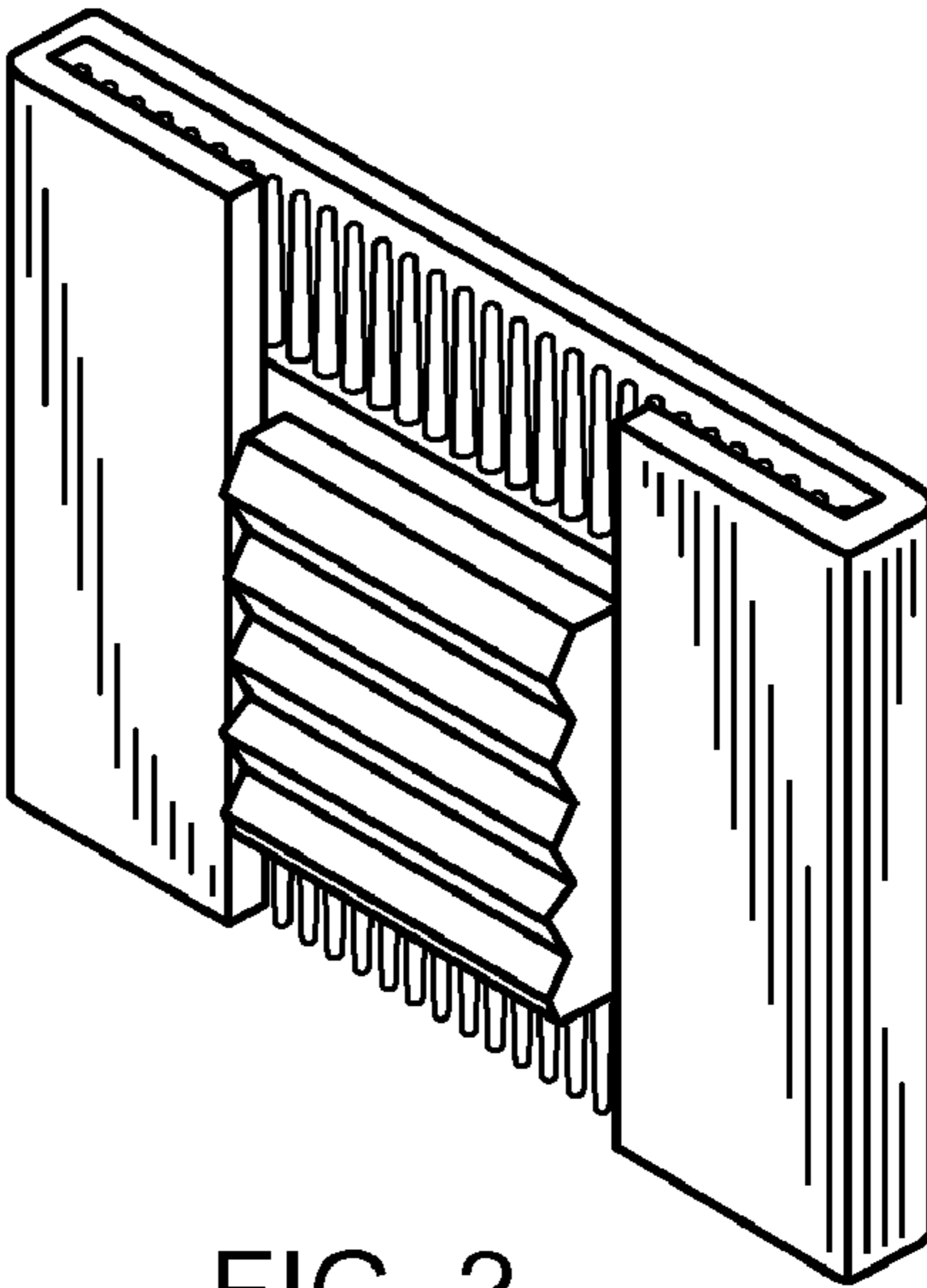


FIG. 2

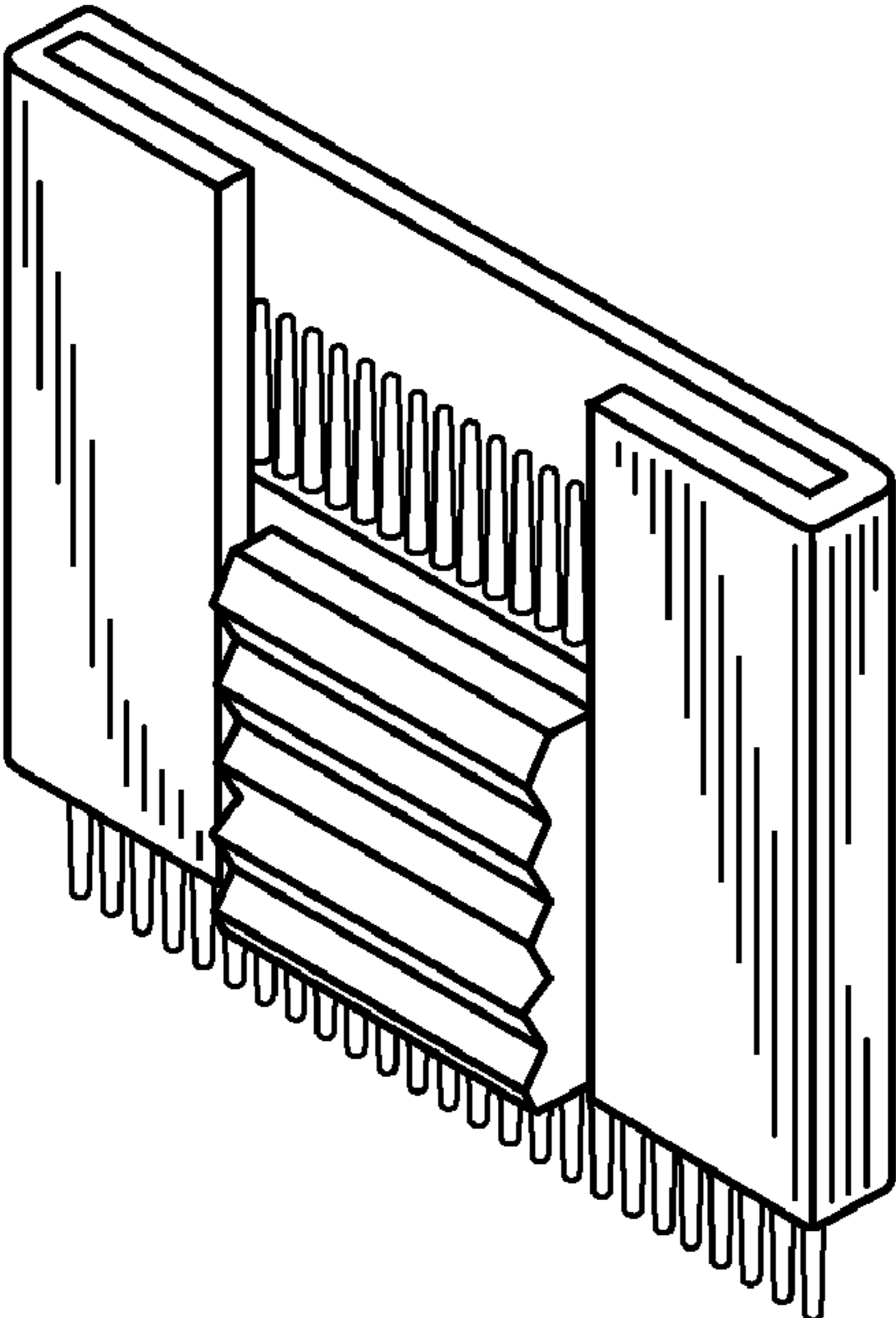


FIG. 3



FIG. 4

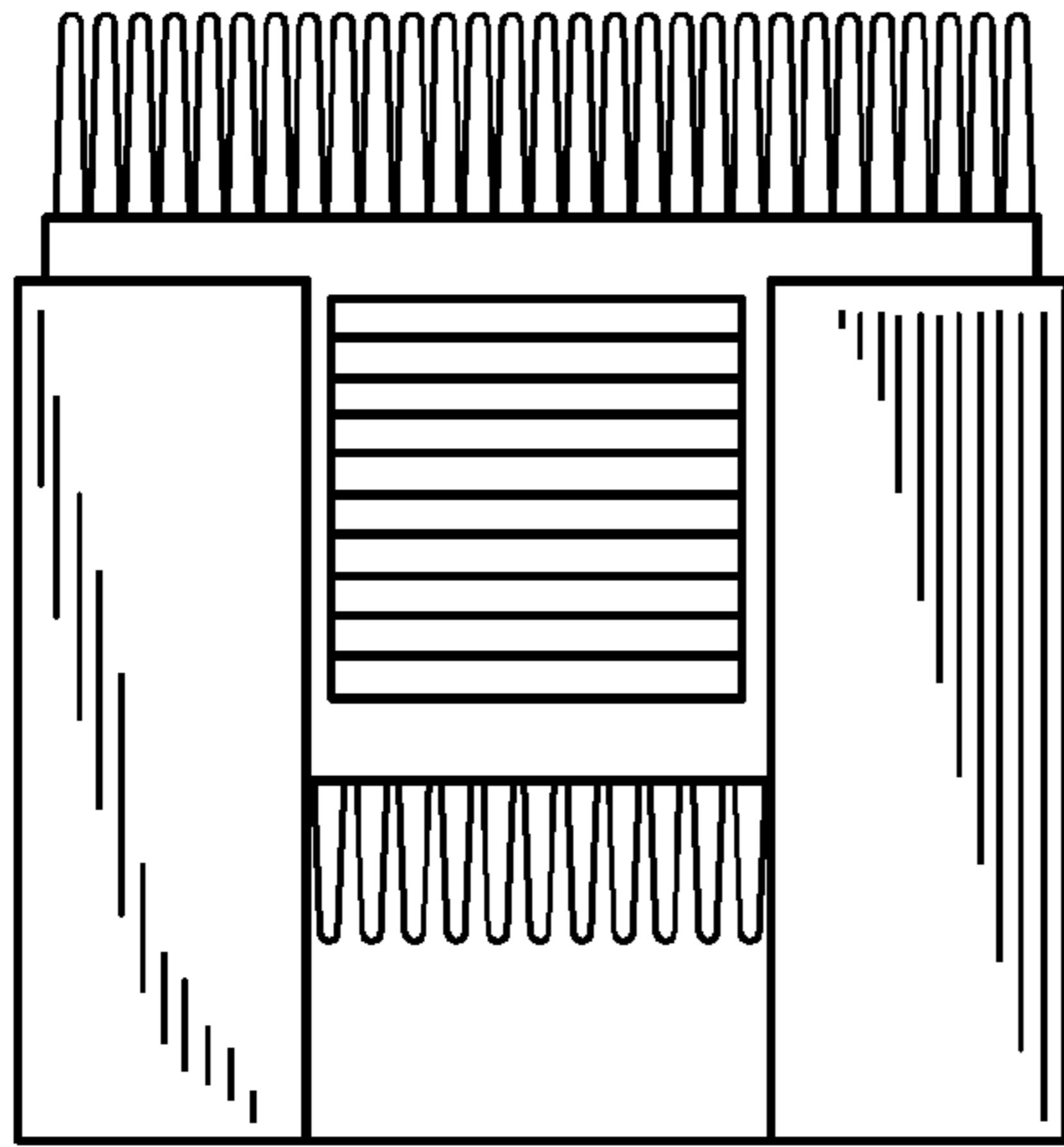


FIG. 5

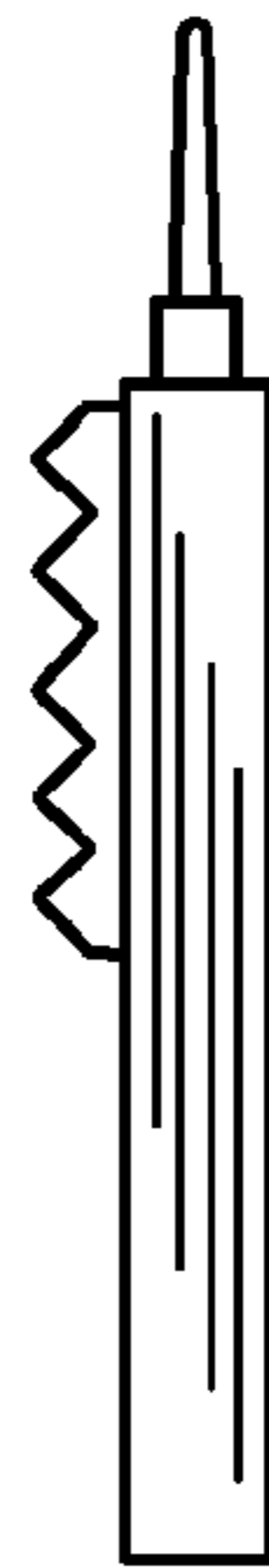


FIG. 6

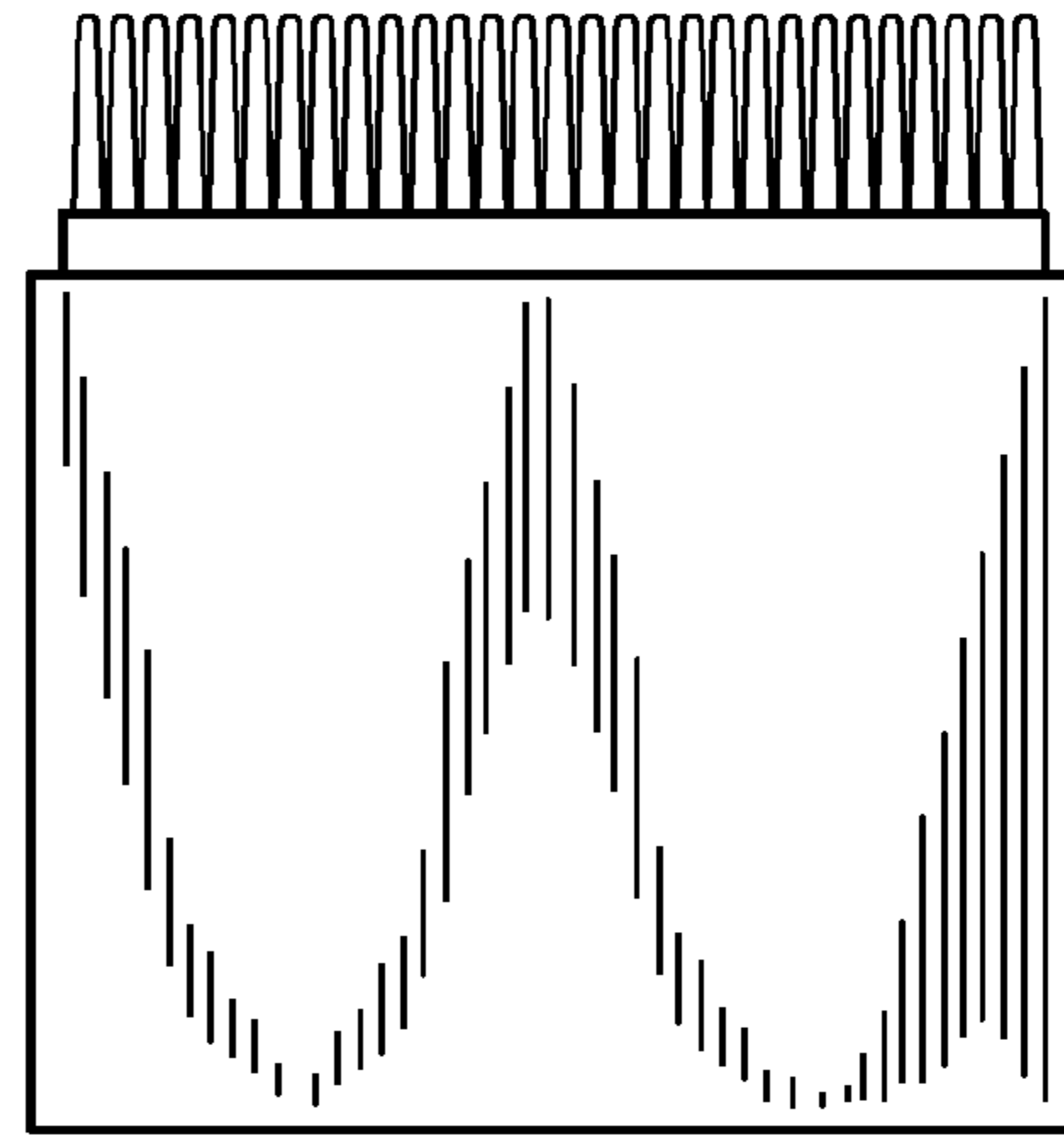


FIG. 7

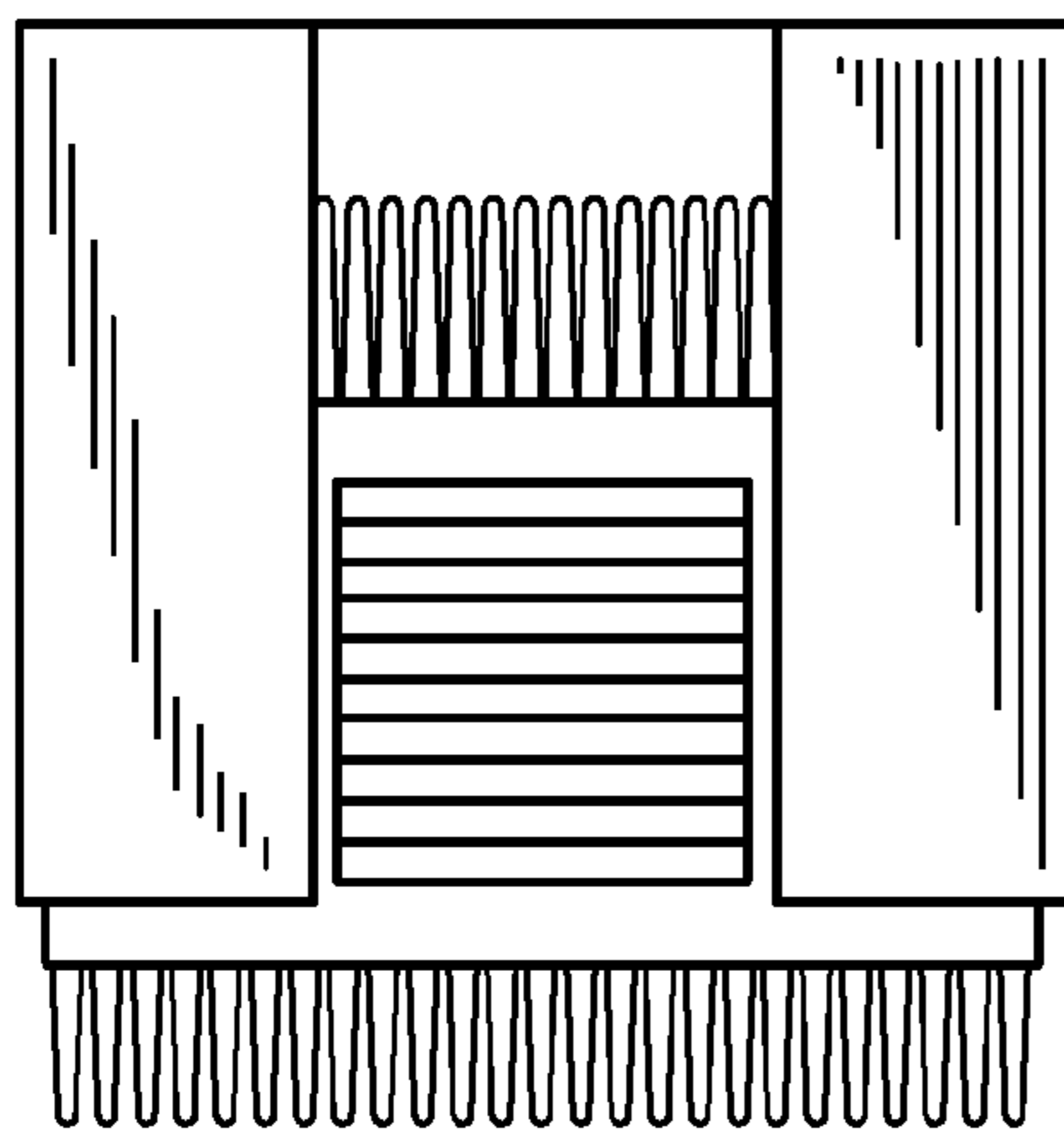


FIG. 8



FIG. 9

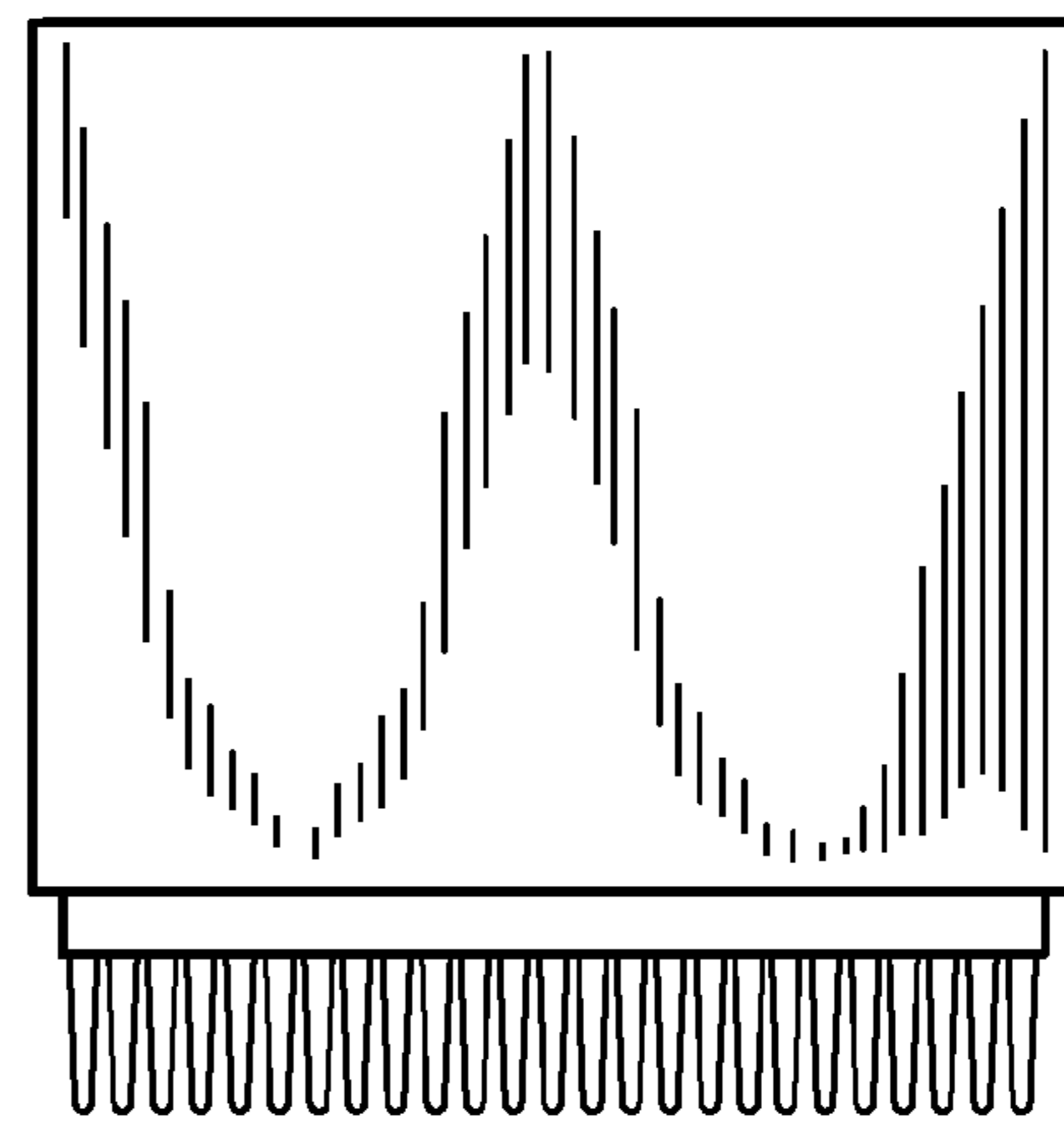


FIG. 10

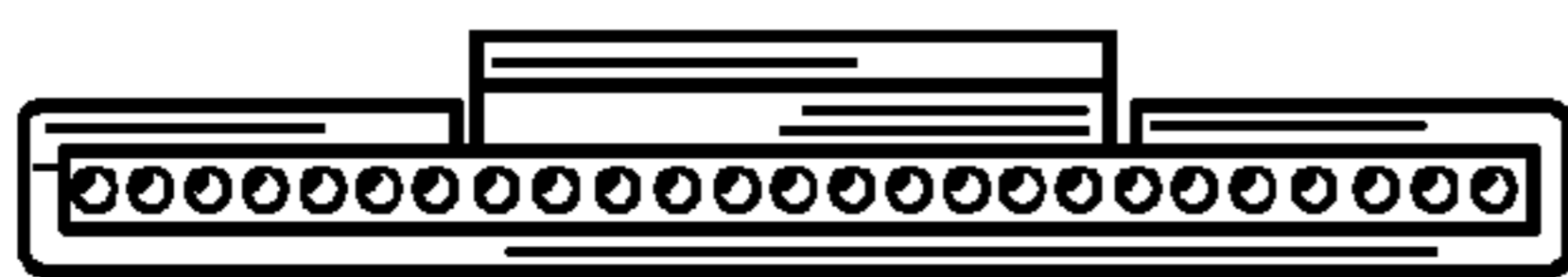


FIG. 11