



US00D609391S

(12) **United States Design Patent**
Schieffelin et al.

(10) **Patent No.:** **US D609,391 S**

(45) **Date of Patent:** **** Feb. 2, 2010**

(54) **MOUNTING STANCHION WITH OFFSET LUMINAIRE**

D589,641 S * 3/2009 Sabernig D26/93
D590,091 S * 4/2009 Starck D26/93

(75) Inventors: **Allison K. Schieffelin**, New Haven, CT (US); **Wooyeon Cho**, Stratford, CT (US)

* cited by examiner

Primary Examiner—Brian N Vinson

(73) Assignee: **Sylvan R. Shemitz Designs Incorporated**, West Haven, CT (US)

(74) *Attorney, Agent, or Firm*—Cantor Colburn LLP

(**) Term: **14 Years**

(57) **CLAIM**

(21) Appl. No.: **29/334,835**

The ornamental design for a mounting stanchion with offset luminaire, as shown and described.

(22) Filed: **Apr. 2, 2009**

DESCRIPTION

(51) **LOC (9) Cl.** **26-03**

FIG. 1 is a top, front, and right side perspective view of a mounting stanchion with offset luminaire, showing our new design;

(52) **U.S. Cl.** **D26/93**

FIG. 2 is top, rear, and left side perspective view thereof

(58) **Field of Classification Search** D26/24,
D26/61–67, 93, 102, 104–105, 108–109;
362/509, 516, 523, 186, 217, 255, 257, 277,
362/317, 319, 351, 354, 355, 357, 358, 362,
362/382, 410, 413, 417, 806

FIG. 3 is a right side elevation view thereof;

FIG. 4 is a front elevational view thereof; and,

FIG. 5 is a top plan view thereof.

See application file for complete search history.

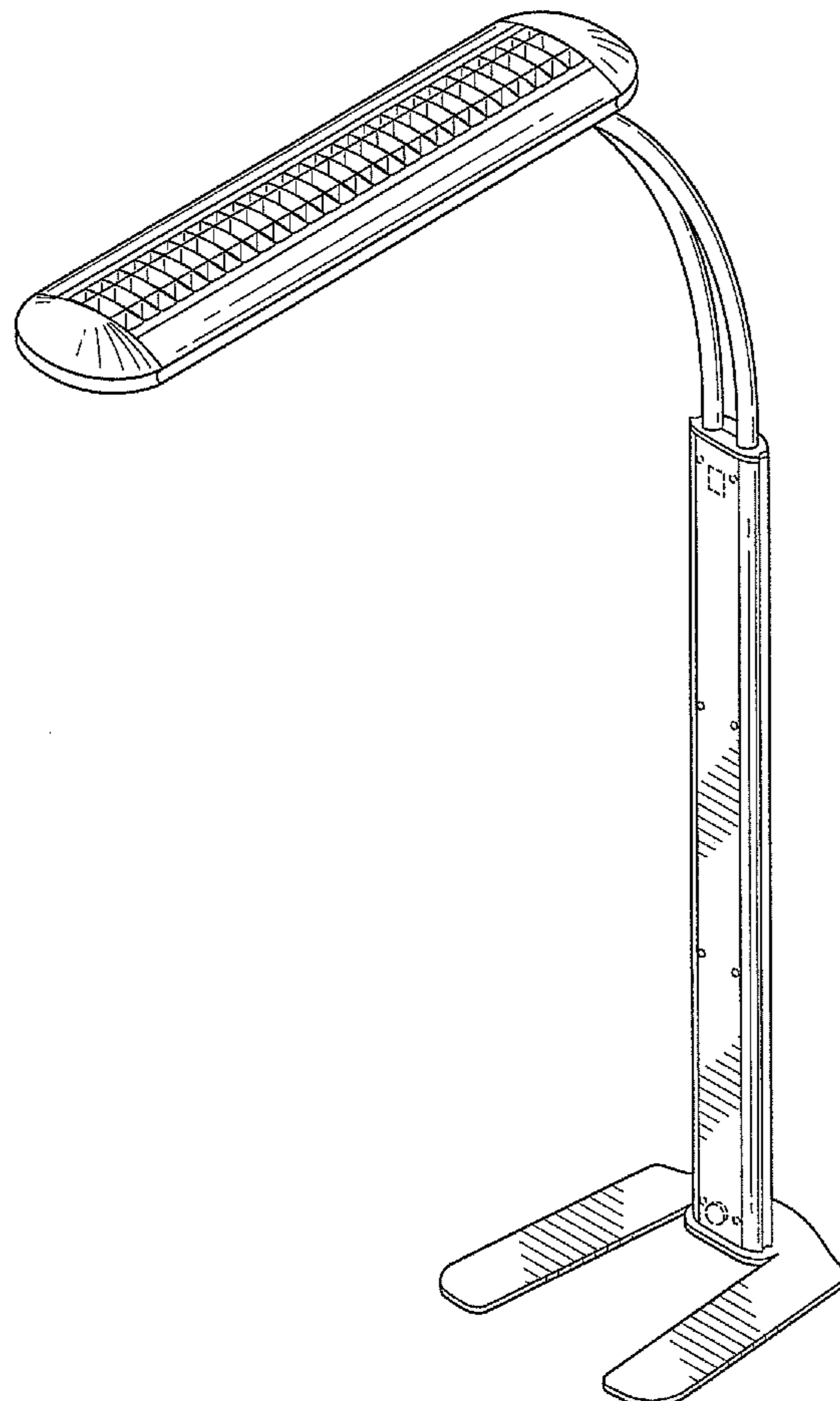
The broken line disclosure in the views is understood to be of various portions of the article in which the claimed design is embodied, but which forms no part of the claimed design.

(56) **References Cited**

U.S. PATENT DOCUMENTS

D473,676 S * 4/2003 Barber D26/93

1 Claim, 5 Drawing Sheets



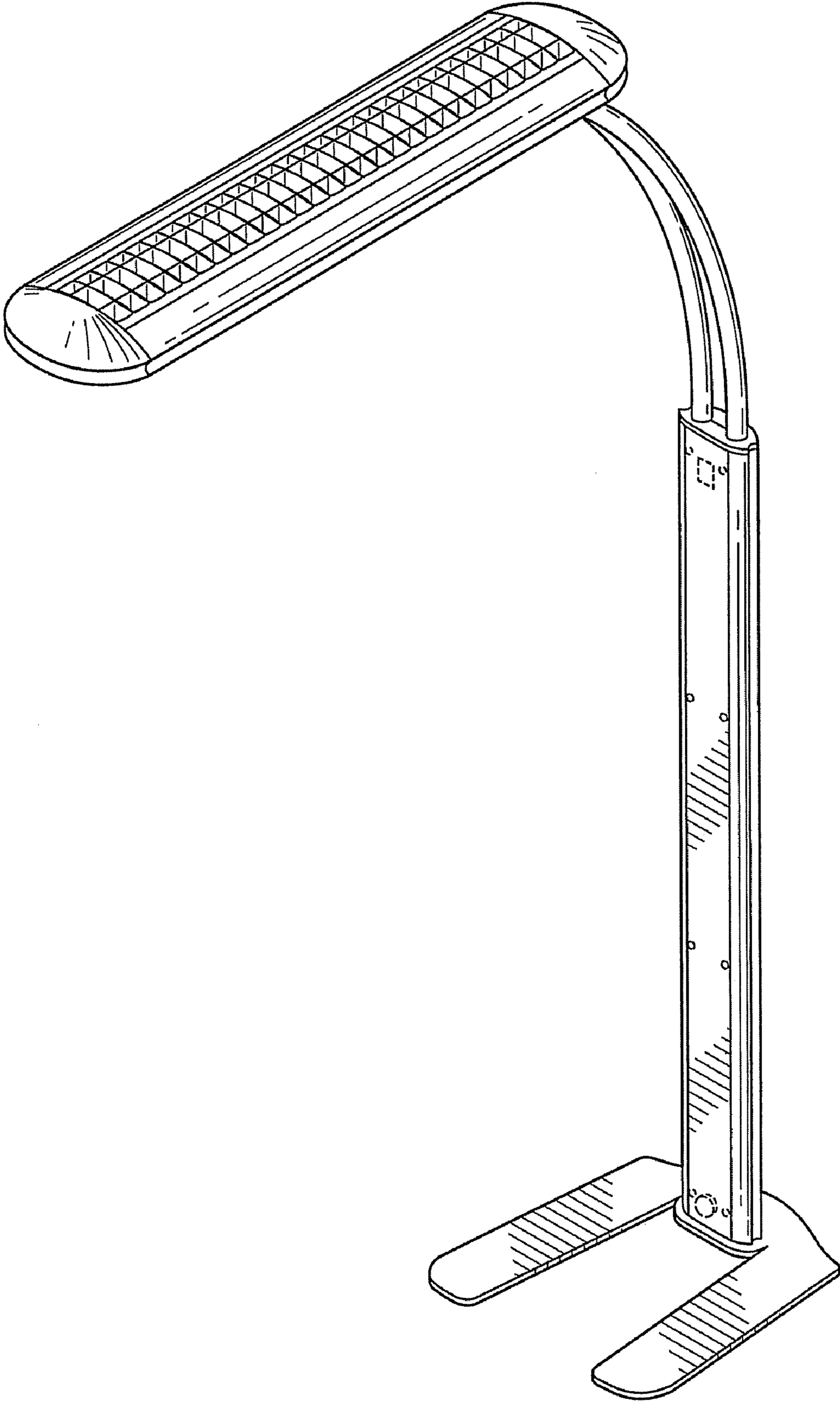


FIG. 1

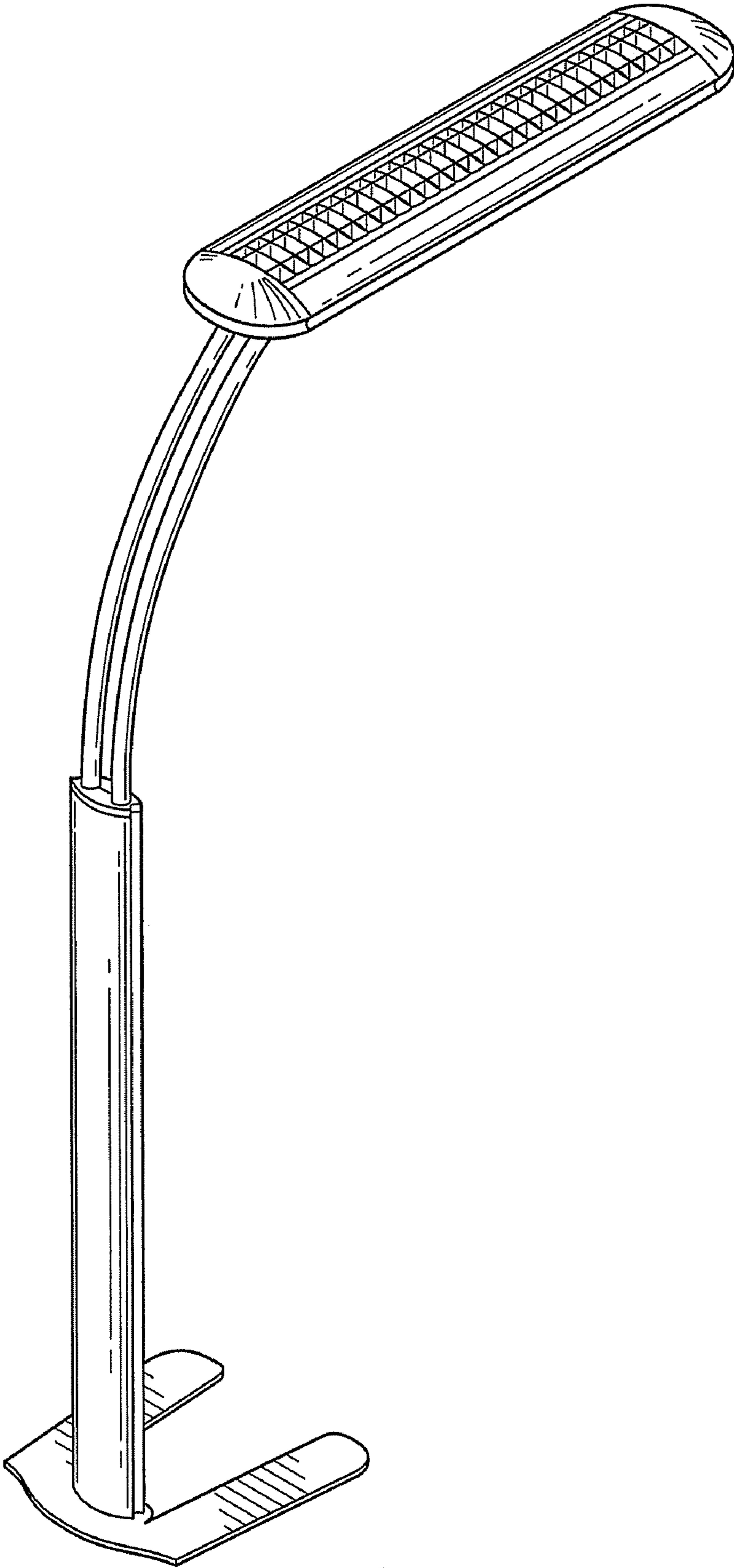


FIG. 2

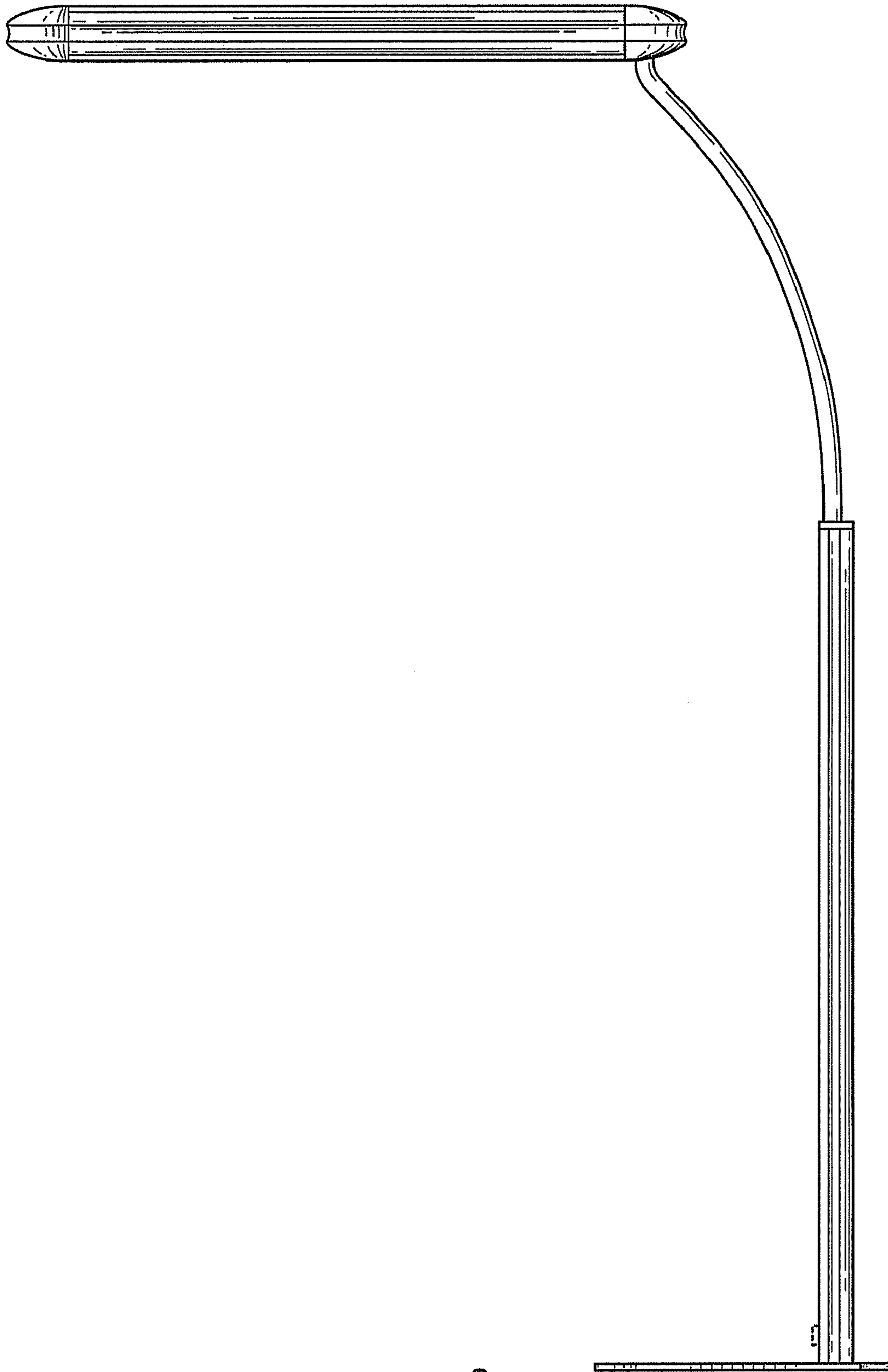


FIG. 3

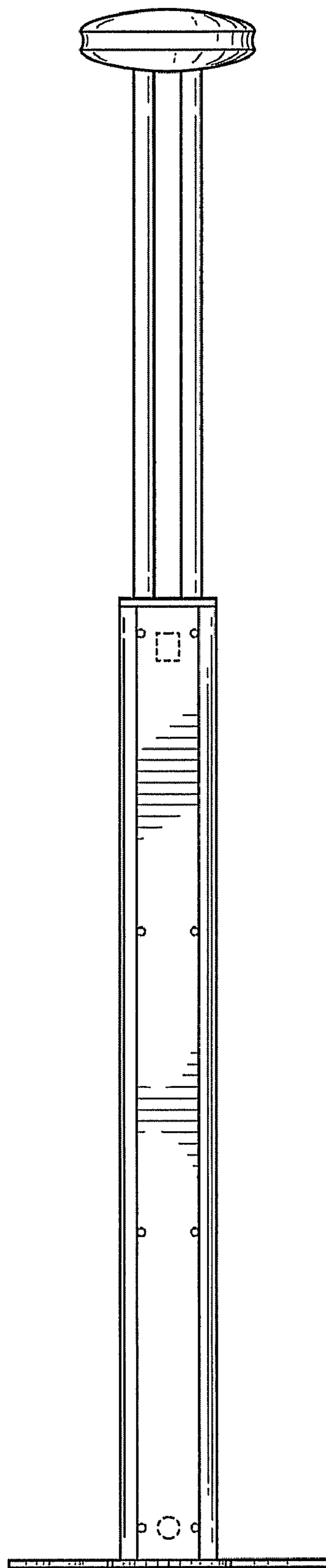


FIG. 4

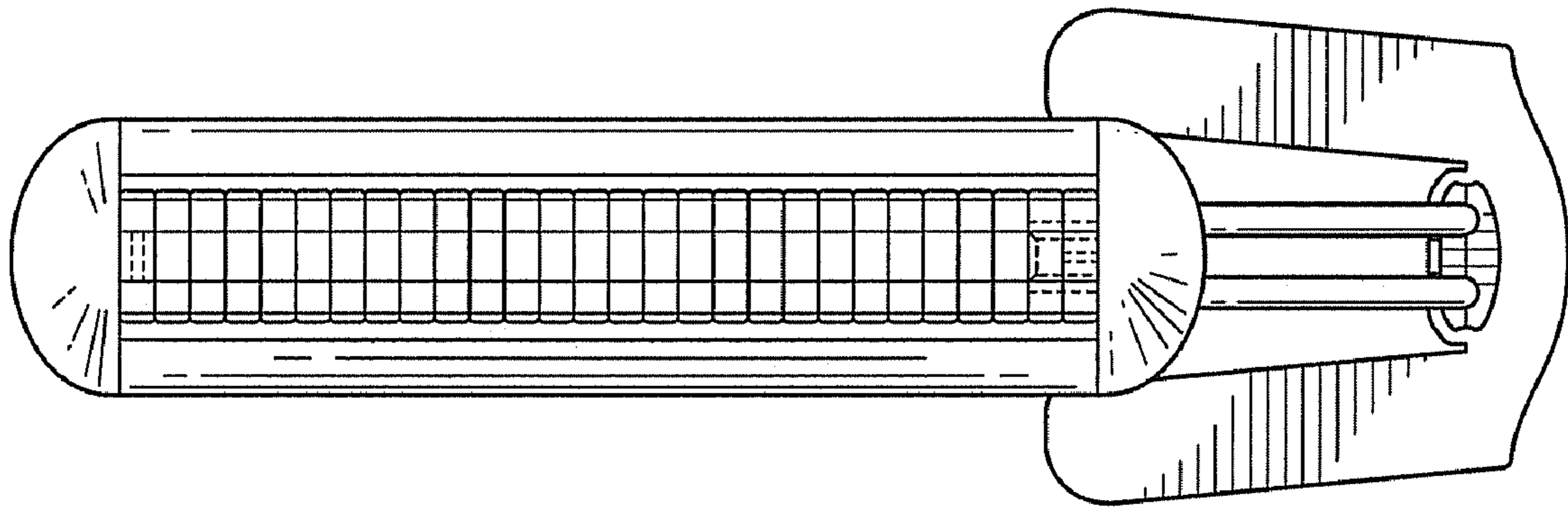


FIG. 5