



US00D609389S

(12) **United States Design Patent**
Sabernig

(10) **Patent No.:** **US D609,389 S**
(45) **Date of Patent:** **** Feb. 2, 2010**

(54) **LIGHT FIXTURE**

(75) Inventor: **Robert Sabernig**, Munster (AT)

(73) Assignee: **EGLO Leuchten GmbH**, Innsbruck (AT)

(**) Term: **14 Years**

(21) Appl. No.: **29/335,984**

(22) Filed: **Apr. 27, 2009**

(51) **LOC (9) Cl.** **26-03**

(52) **U.S. Cl.** **D26/87**

(58) **Field of Classification Search** D26/72,
D26/85, 86, 87, 92; 362/147, 432

See application file for complete search history.

(56) **References Cited**

U.S. PATENT DOCUMENTS

D47,610 S	7/1915	Owen	
D134,482 S	9/1942	Ganger	
D153,987 S *	5/1949	Silberhartz D26/87
D172,688 S	3/1954	Ruskin	
D288,247 S	2/1987	De Lucchi	
D385,643 S	10/1997	Brohard et al.	
D402,389 S	12/1998	Norman et al.	
D402,390 S	12/1998	Smedley et al.	
D541,970 S	5/2007	Blackman	
D558,386 S	12/2007	Bickler et al.	
D583,981 S	12/2008	Meyer et al.	
D583,982 S	12/2008	Meyer et al.	
D583,983 S	12/2008	Meyer et al.	

2005/0201082 A1 9/2005 Mauk et al.

OTHER PUBLICATIONS

“Vision” one lite wall sconce #E22014-09 shown on p. 154 of the ET2 Lighting 2007 Catalog ©2006.*
Helius Collection; Dual Island Light Chandelier; Model No. 16095; printed from www.lampsplus.com on Mar. 11, 2008.

* cited by examiner

Primary Examiner—Clare E Heflin

(74) *Attorney, Agent, or Firm*—Baker & McKenzie LLP

(57) **CLAIM**

The ornamental design for a light fixture, as shown and described.

DESCRIPTION

FIG. 1 is a perspective view of a light fixture in accordance with my design;

FIG. 2 is a side elevation view of the light fixture in accordance with my design, the opposite view being a mirror image of that shown;

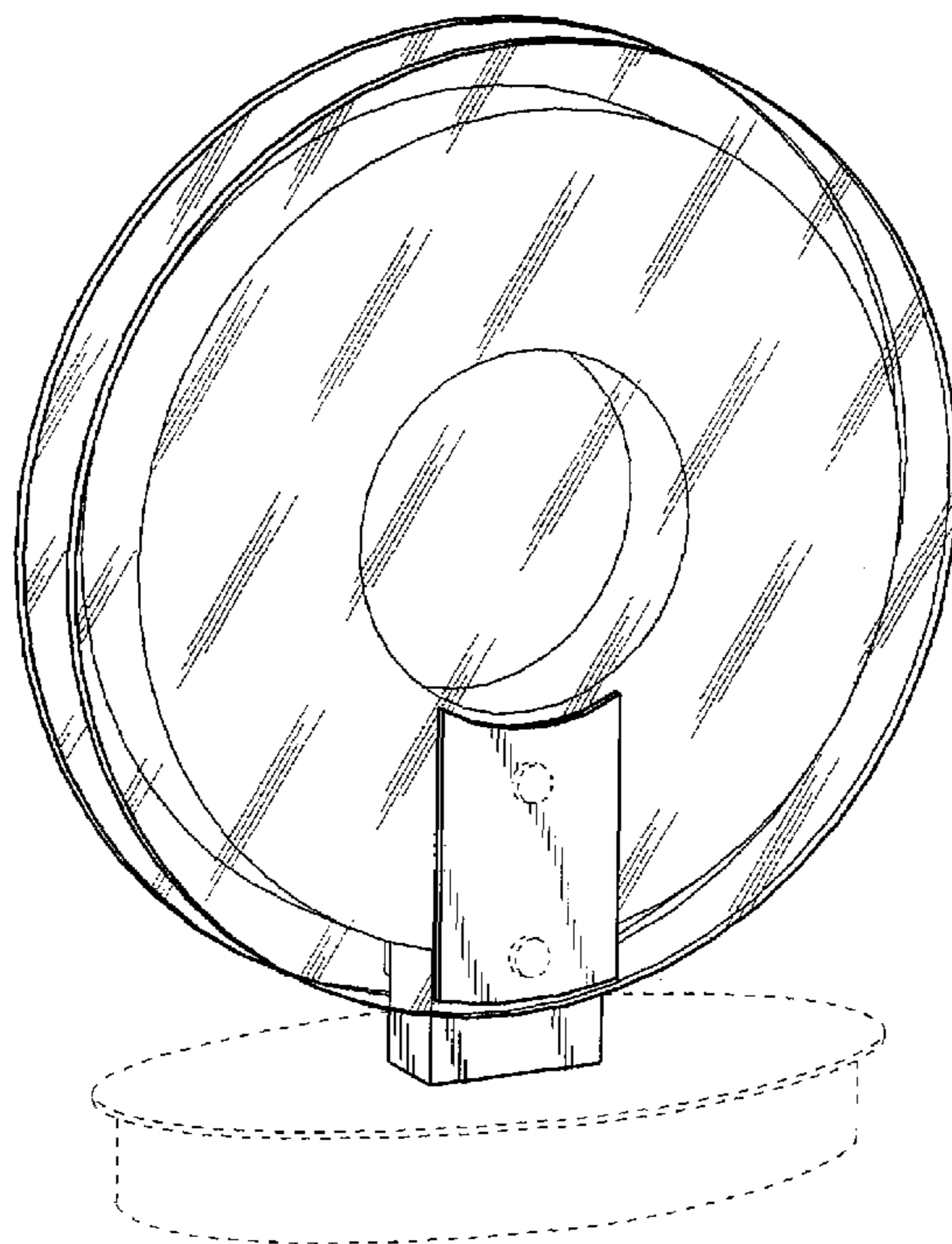
FIG. 3 is a front elevational view of the light fixture in accordance with my design;

FIG. 4 is a top plan view of the light fixture in accordance with my design; and,

FIG. 5 is a bottom plan view of the light fixture in accordance with my design.

The broken lines showing environmental structure are for illustrative purposes only and form no part of the claimed design.

1 Claim, 2 Drawing Sheets



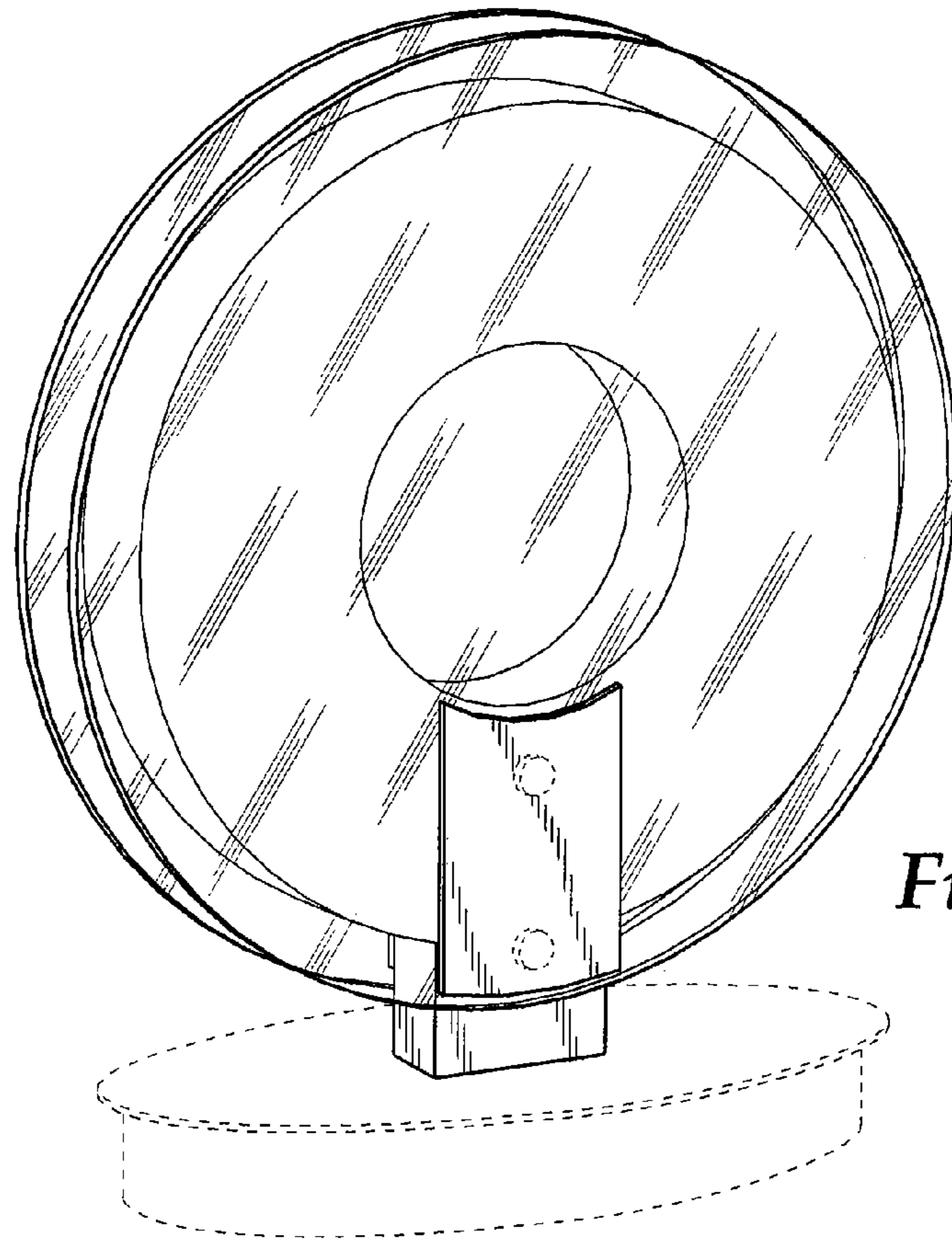


Fig.1

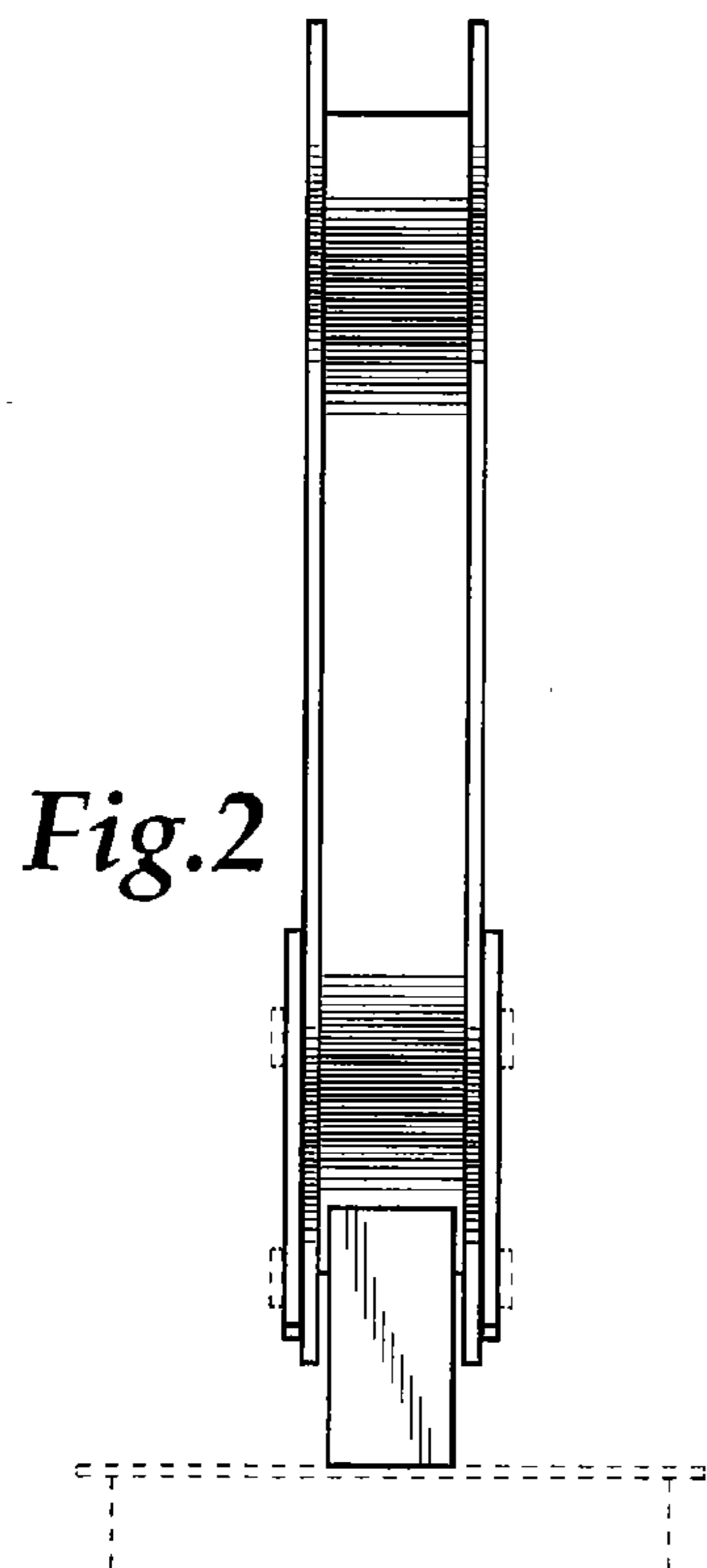


Fig.2

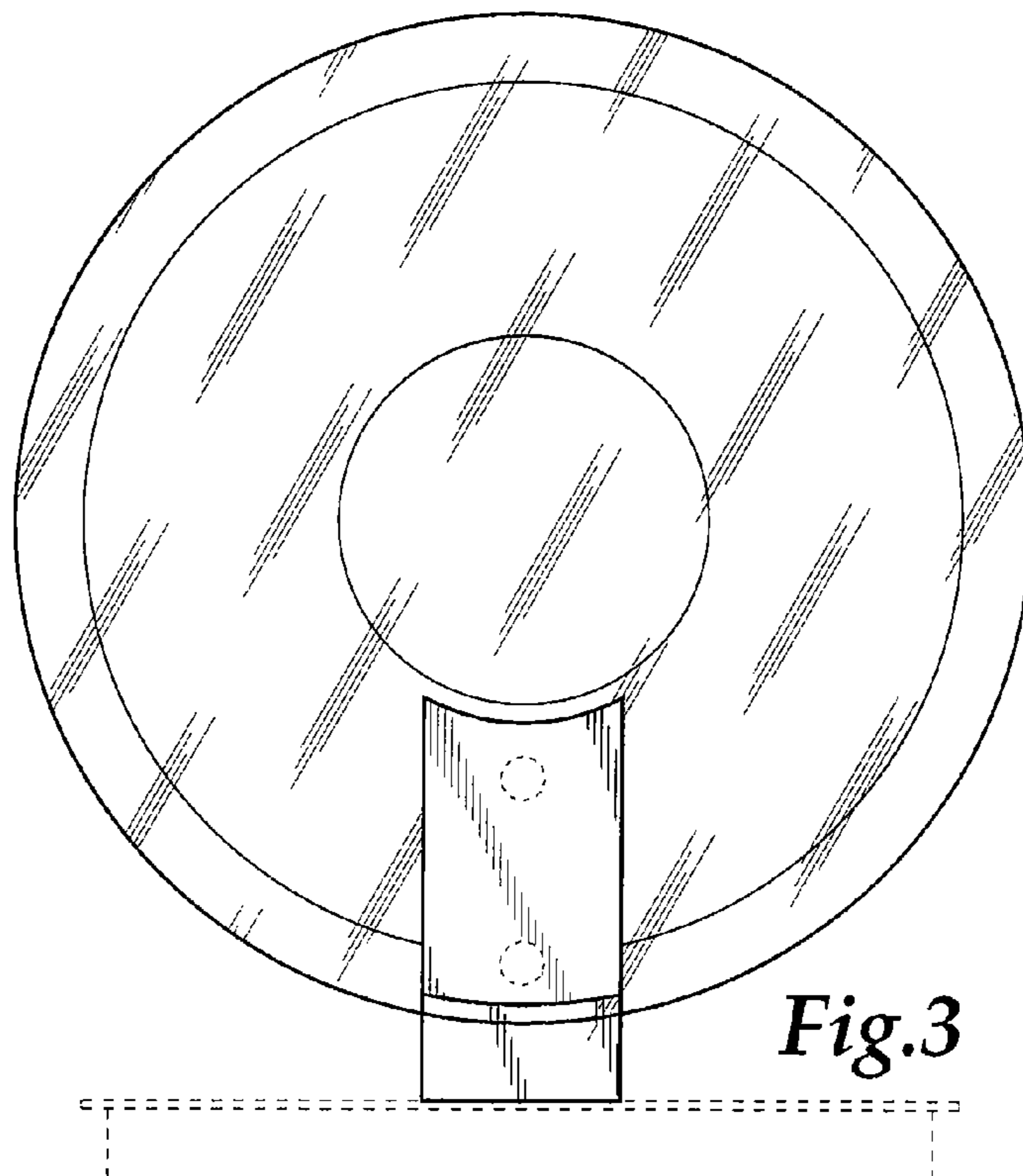


Fig.3

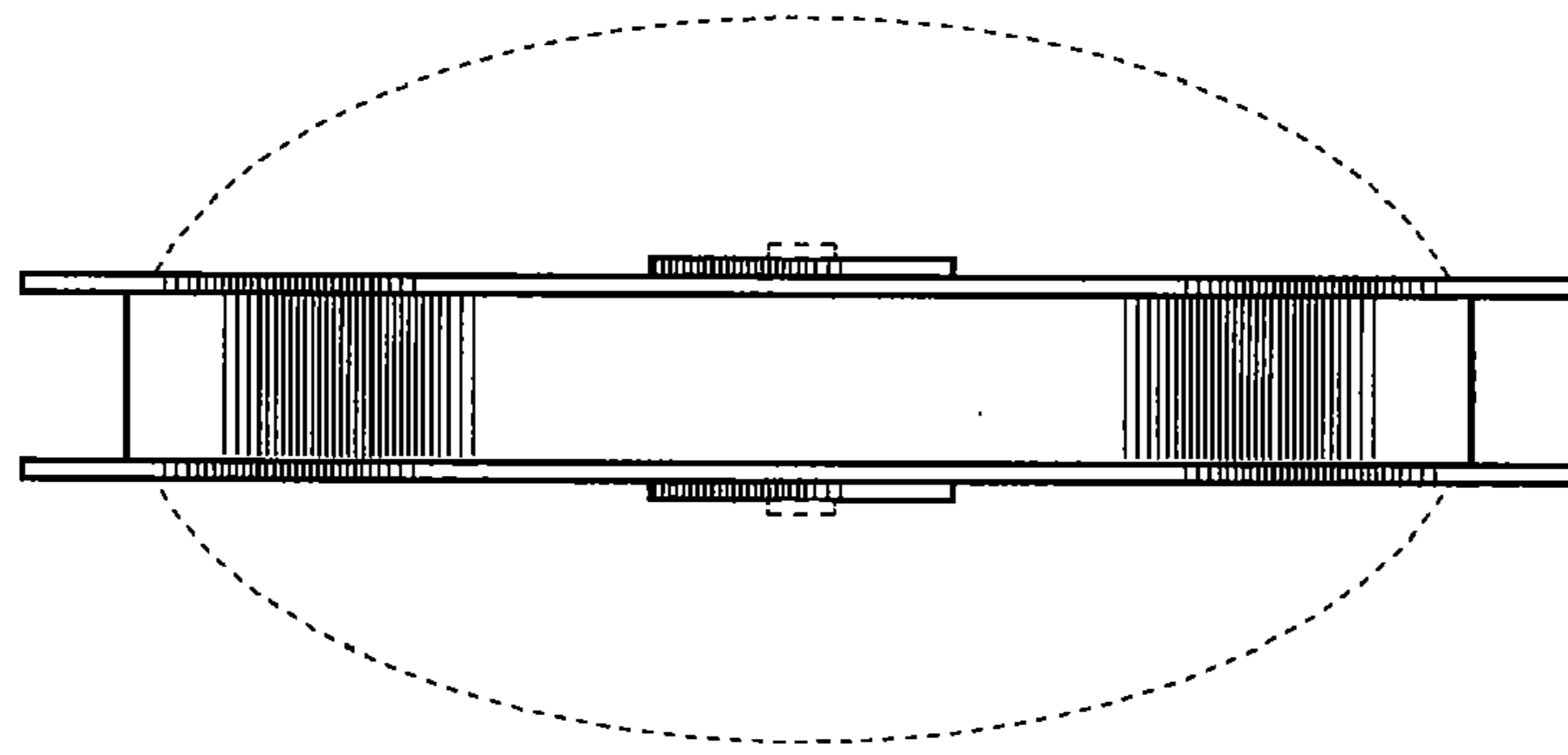


Fig.4

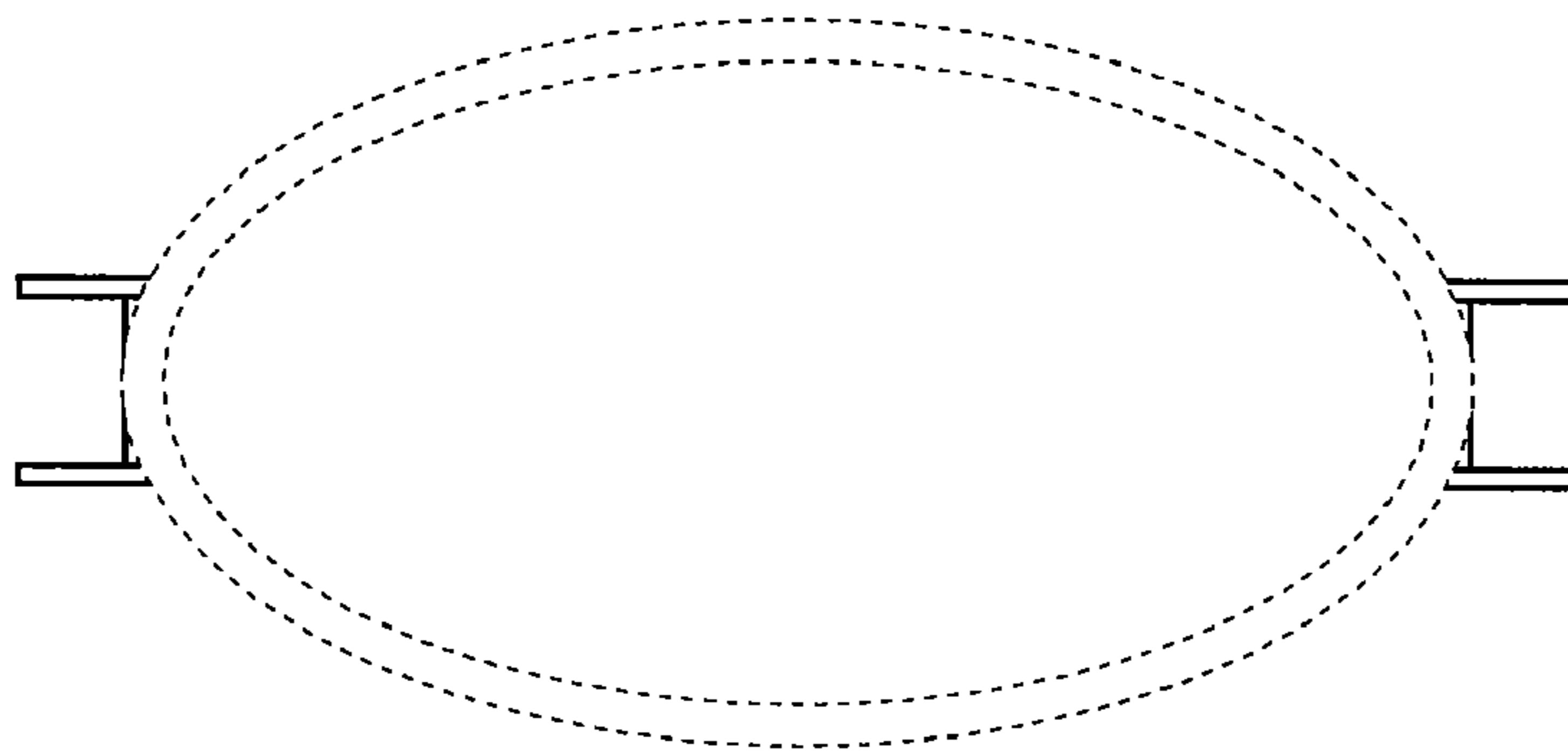


Fig.5