

US00D609388S

(12) **United States Design Patent**
Sabernig

(10) **Patent No.:** **US D609,388 S**

(45) **Date of Patent:** **** Feb. 2, 2010**

(54) **LIGHT FIXTURE**

(75) Inventor: **Robert Sabernig**, Munster (AT)

(73) Assignee: **EGLO Leuchten GmbH**, Innsbruck (AT)

(**) Term: **14 Years**

(21) Appl. No.: **29/321,583**

(22) Filed: **Jul. 18, 2008**

(51) **LOC (9) Cl.** **26-03**

(52) **U.S. Cl.** **D26/85**

(58) **Field of Classification Search** D26/72,
D26/85, 87, 92; 362/147, 431, 432
See application file for complete search history.

(56) **References Cited**

U.S. PATENT DOCUMENTS

D82,921 S *	12/1930	Nessen	D26/92
D114,805 S *	5/1939	Brooks	D26/85
D152,994 S *	3/1949	McCann	D26/87
D167,691 S *	9/1952	Huegel	D26/85
D413,998 S *	9/1999	Littman	D26/87
D438,665 S *	3/2001	Rochon	D26/87
D469,910 S *	2/2003	St-Pierre	D26/85
D552,290 S *	10/2007	Duggan	D26/85
D558,381 S *	12/2007	Horn et al.	D26/85

D590,983 S * 4/2009 Sabernig D26/85

OTHER PUBLICATIONS

Hubbardton 21-7391 Bathroom Light (Part#:817170) By Hubbardton Forge. Downloaded from lightinguniverse.com Sep. 11, 2009.*

* cited by examiner

Primary Examiner—Clare E Heflin

(74) *Attorney, Agent, or Firm*—Baker & McKenzie LLP

(57) **CLAIM**

The ornamental design for a light fixture, as shown and described.

DESCRIPTION

FIG. 1 is a top perspective view of a light fixture in accordance with my design;

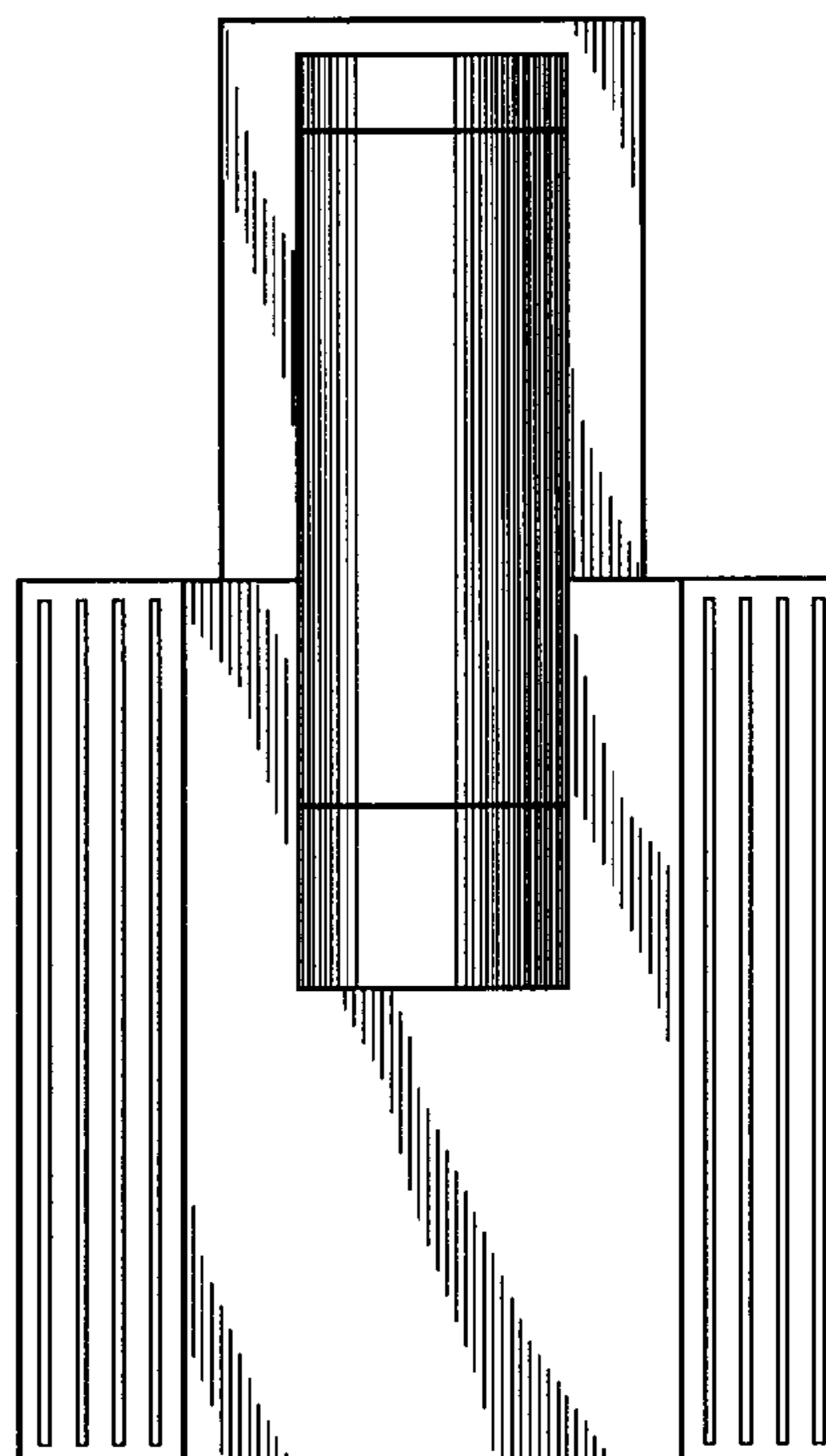
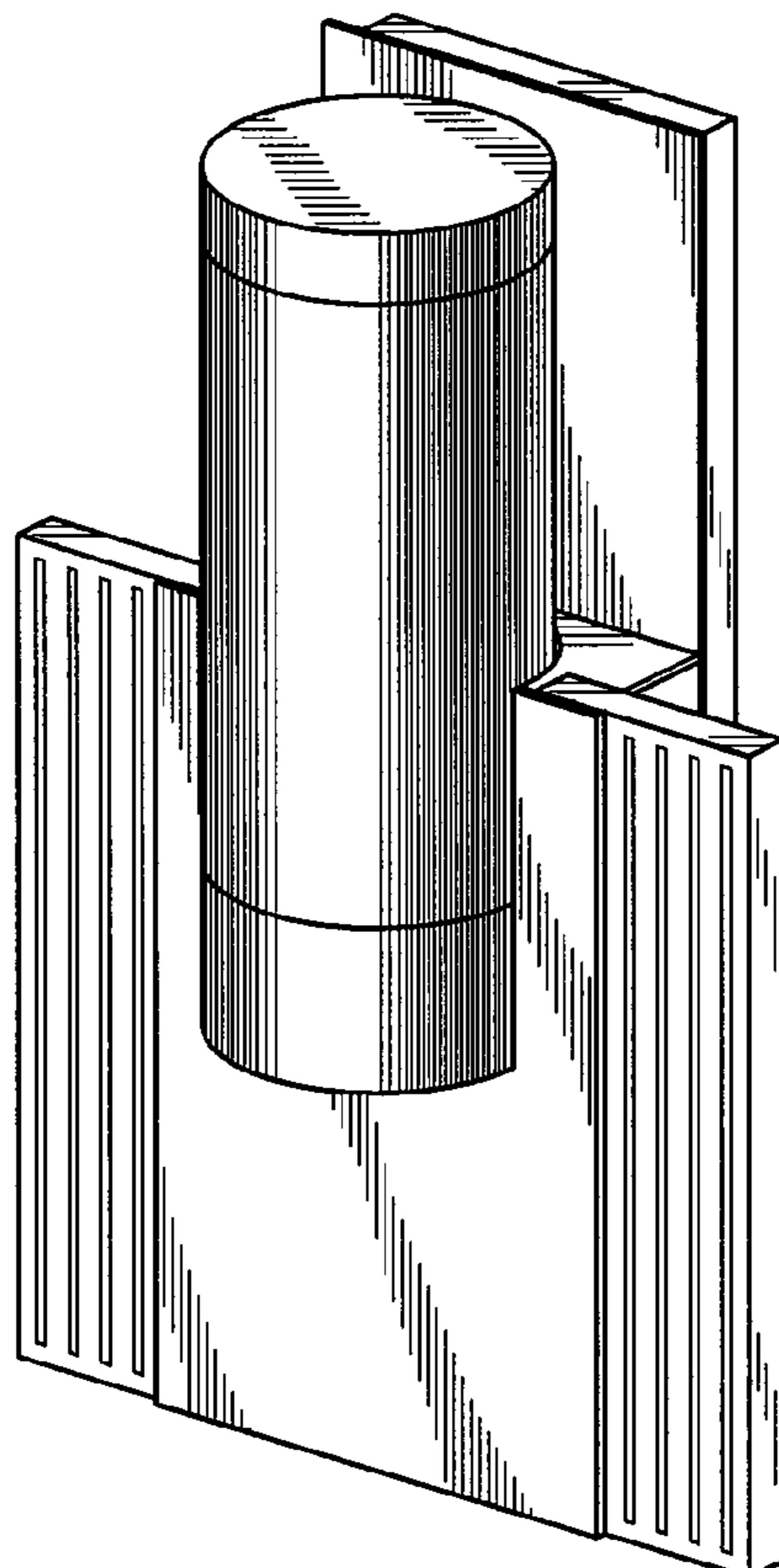
FIG. 2 is a side elevation view of the light fixture in accordance with my design, the opposite side being a mirror image of that shown;

FIG. 3 is a top plan view of the light fixture in accordance with my design;

FIG. 4 is a bottom plan view of the light fixture in accordance with my design; and,

FIG. 5 is a front elevation view of the light fixture in accordance with my design.

1 Claim, 1 Drawing Sheet



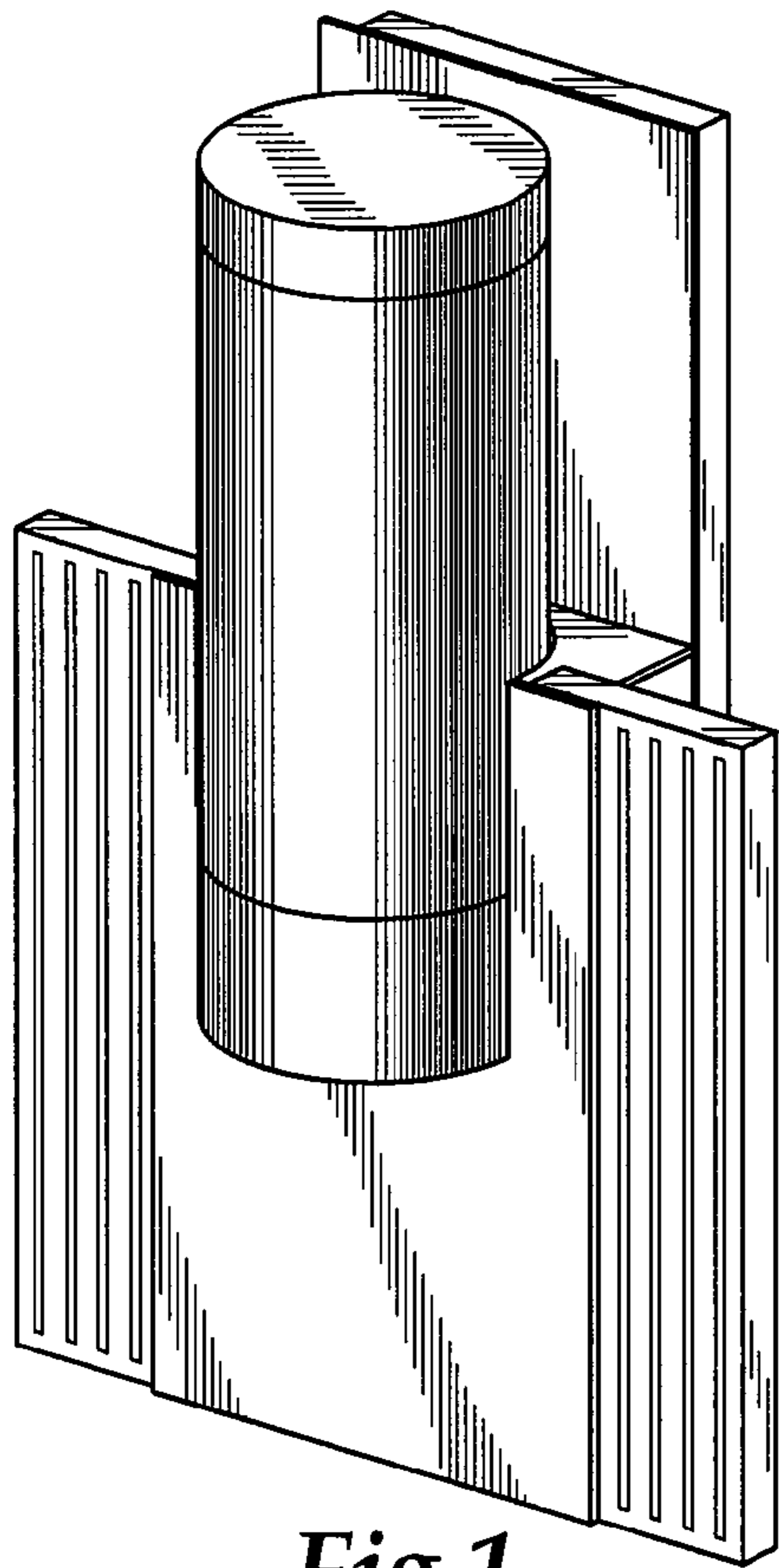


Fig.1

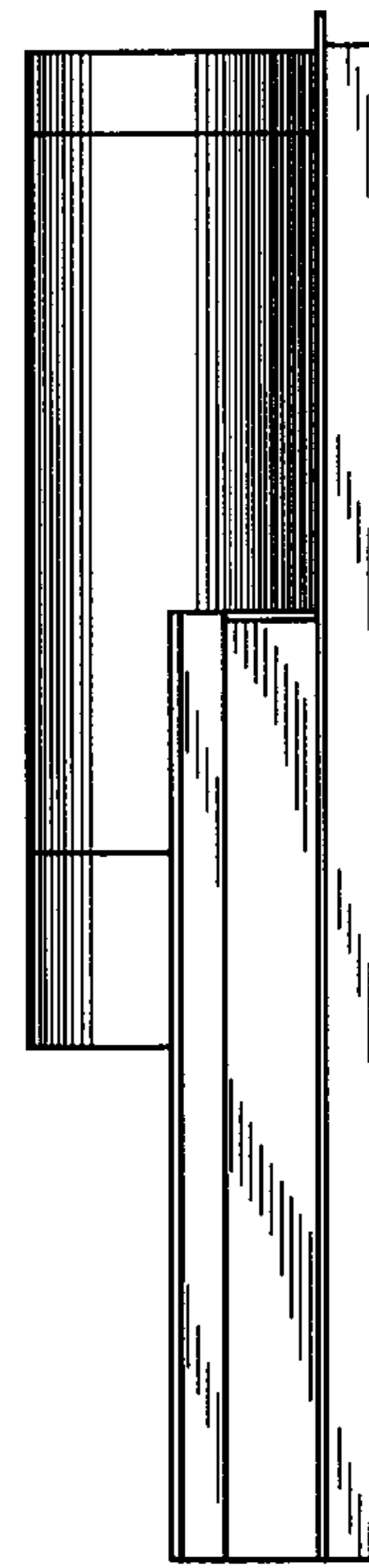


Fig.2

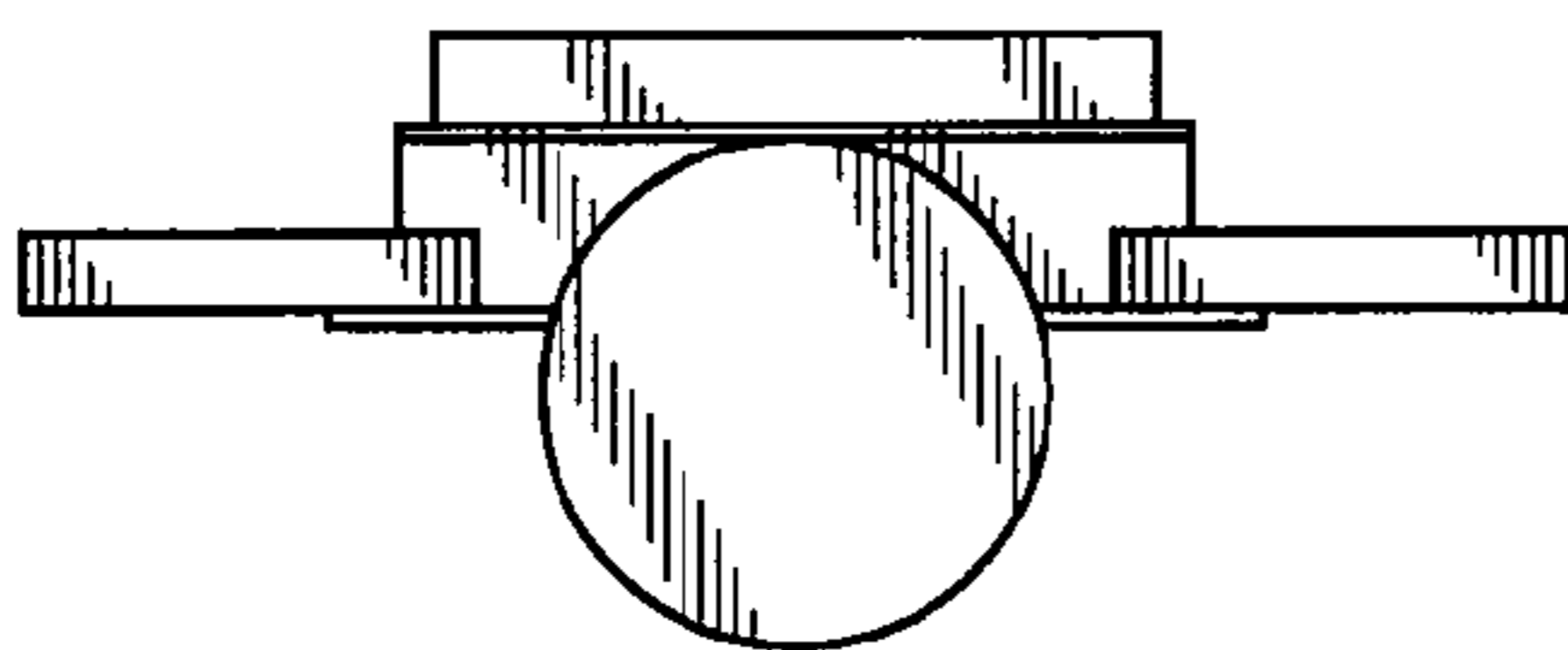


Fig.3

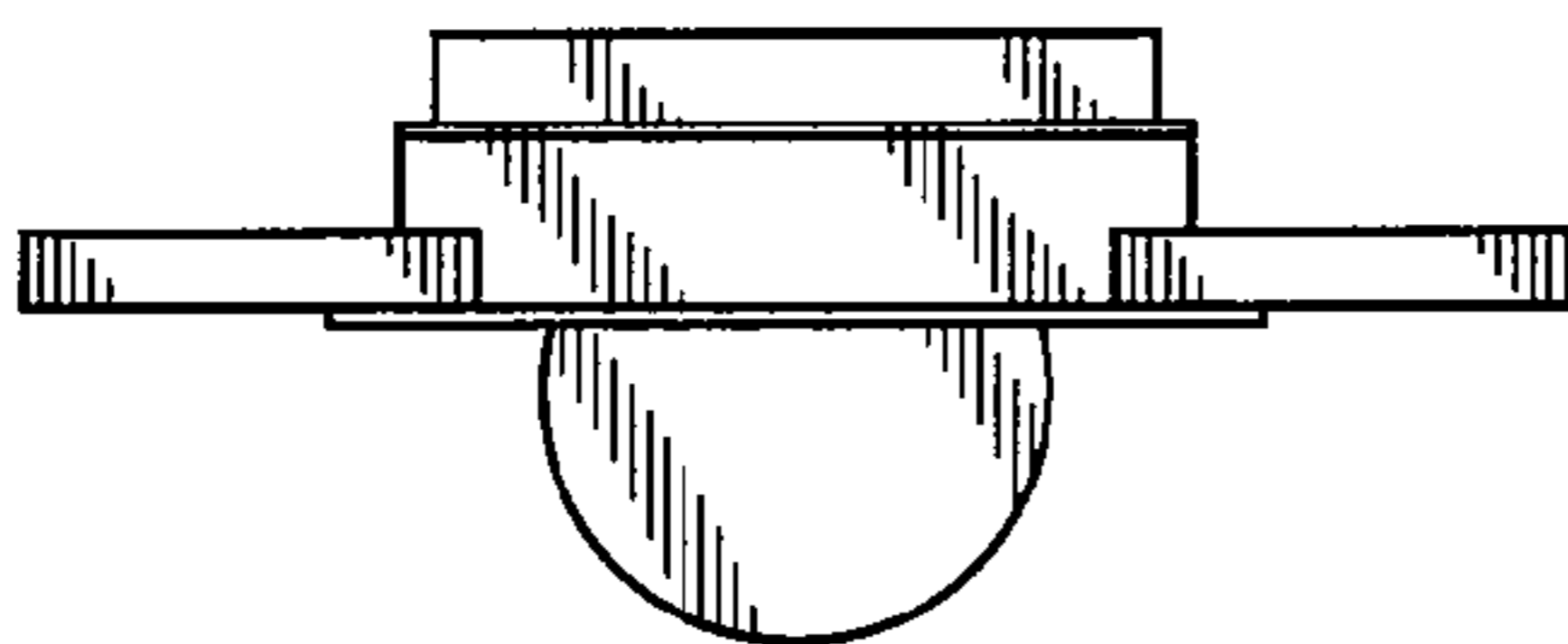


Fig.4

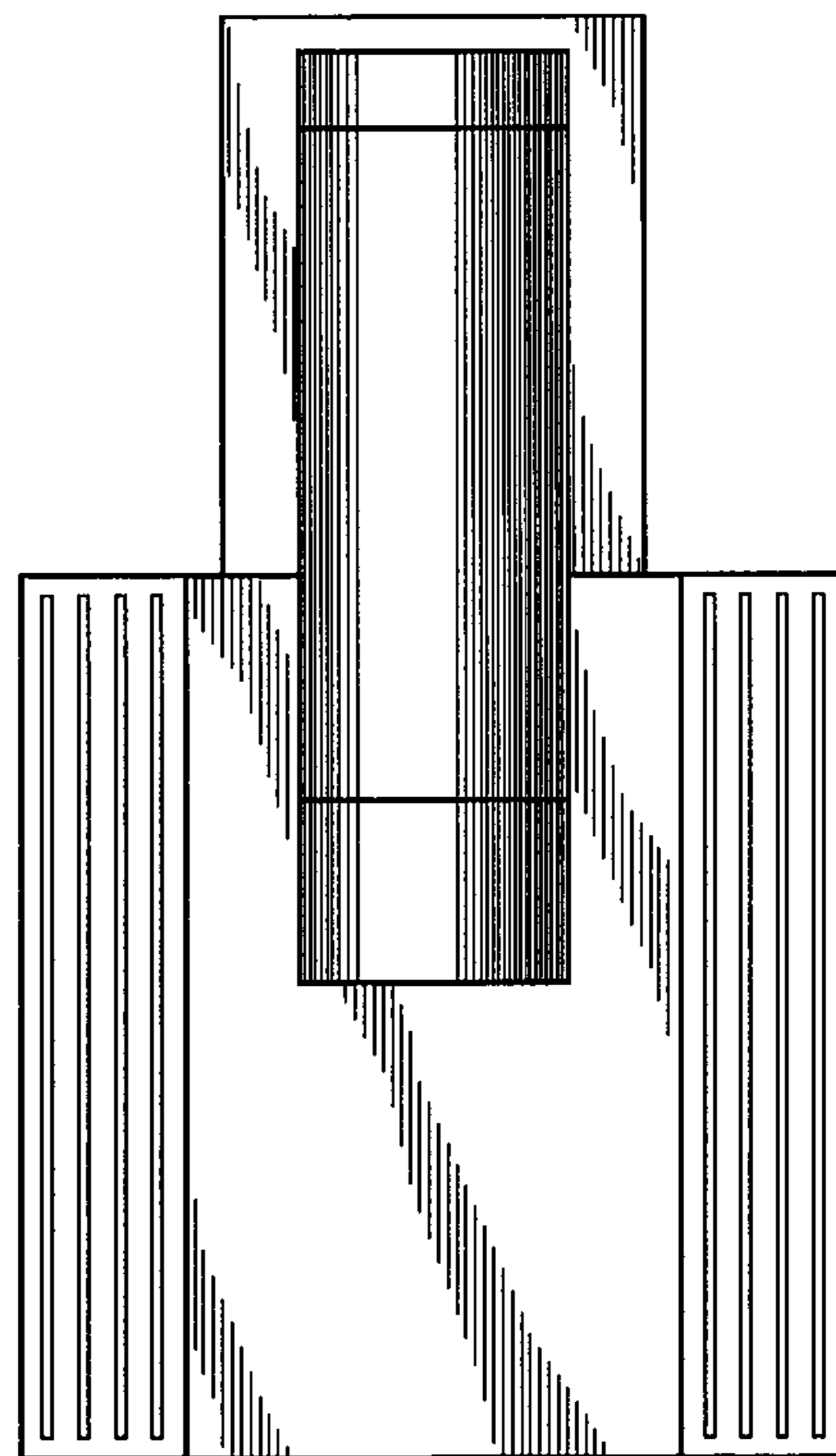


Fig.5