



US00D609385S

(12) **United States Design Patent**
Castelli

(10) **Patent No.:** **US D609,385 S**
(45) **Date of Patent:** **** Feb. 2, 2010**

(54) **LIGHT FIXTURE**

(76) Inventor: **Michael Castelli**, 95 Drake Ct., West Islip, NY (US) 11795

(**) Term: **14 Years**

(21) Appl. No.: **29/335,637**

(22) Filed: **Apr. 17, 2009**

(51) **LOC (9) Cl.** **26-03**

(52) **U.S. Cl.** **D26/76**

(58) **Field of Classification Search** D26/63,
D26/72, 74-77, 118; 362/147, 217.01, 217.02,
362/217.1, 217.12, 217.15, 217.16, 219-225,
362/132, 260-264, 267, 283, 337, 364-366,
362/368, 376; 454/293, 354

See application file for complete search history.

(56) **References Cited**

U.S. PATENT DOCUMENTS

2,291,489	A	7/1942	Naysmith	
2,338,521	A	1/1944	Levy	
2,516,660	A	7/1950	Versen	
2,518,724	A	8/1950	Runge	
2,948,807	A	6/1960	Maciel et al.	
2,973,177	A	2/1961	Stubbs	
2,997,321	A	8/1961	Bobrick	
3,009,055	A *	11/1961	Franzese	362/217.07
3,051,430	A	8/1962	Halfaker	
3,154,001	A	10/1964	Zurawski	
3,209,142	A *	9/1965	Michel et al.	362/236
3,788,206	A	1/1974	Mulvey	
4,086,480	A	4/1978	Lahm	
D257,894	S *	1/1981	DiBernardo	D26/75
D266,108	S *	9/1982	Acero et al.	D23/371
4,419,717	A	12/1983	Price et al.	
4,424,554	A	1/1984	Woloski et al.	
4,549,253	A	10/1985	Totten	
D284,110	S *	6/1986	Mullins	D26/76
D292,322	S *	10/1987	Krol	D26/75
4,855,883	A	8/1989	Spitz	
D307,059	S	4/1990	Szymanek	
D330,268	S	10/1992	Jaksich	
5,171,085	A	12/1992	Jaksich	

D351,481	S	10/1994	Cole	
5,420,771	A *	5/1995	Katoh et al.	362/347
5,564,815	A	10/1996	Littman et al.	
5,615,943	A	4/1997	Coldren	

(Continued)

Primary Examiner—Philip S Hyder

Assistant Examiner—Susan E Krakower

(74) *Attorney, Agent, or Firm*—Kilpatrick Stockton, LLP

(57) **CLAIM**

The ornamental design for a light fixture, as shown and described.

DESCRIPTION

FIG. 1 is a bottom perspective view of a light fixture, showing my new design.

FIG. 2 is a front elevation view of the light fixture of FIG. 1, the rear elevation view, the right side elevation view, and the left side elevation view being identical images of the front elevation view.

FIG. 3 is a bottom plan view of the light fixture of FIG. 1.

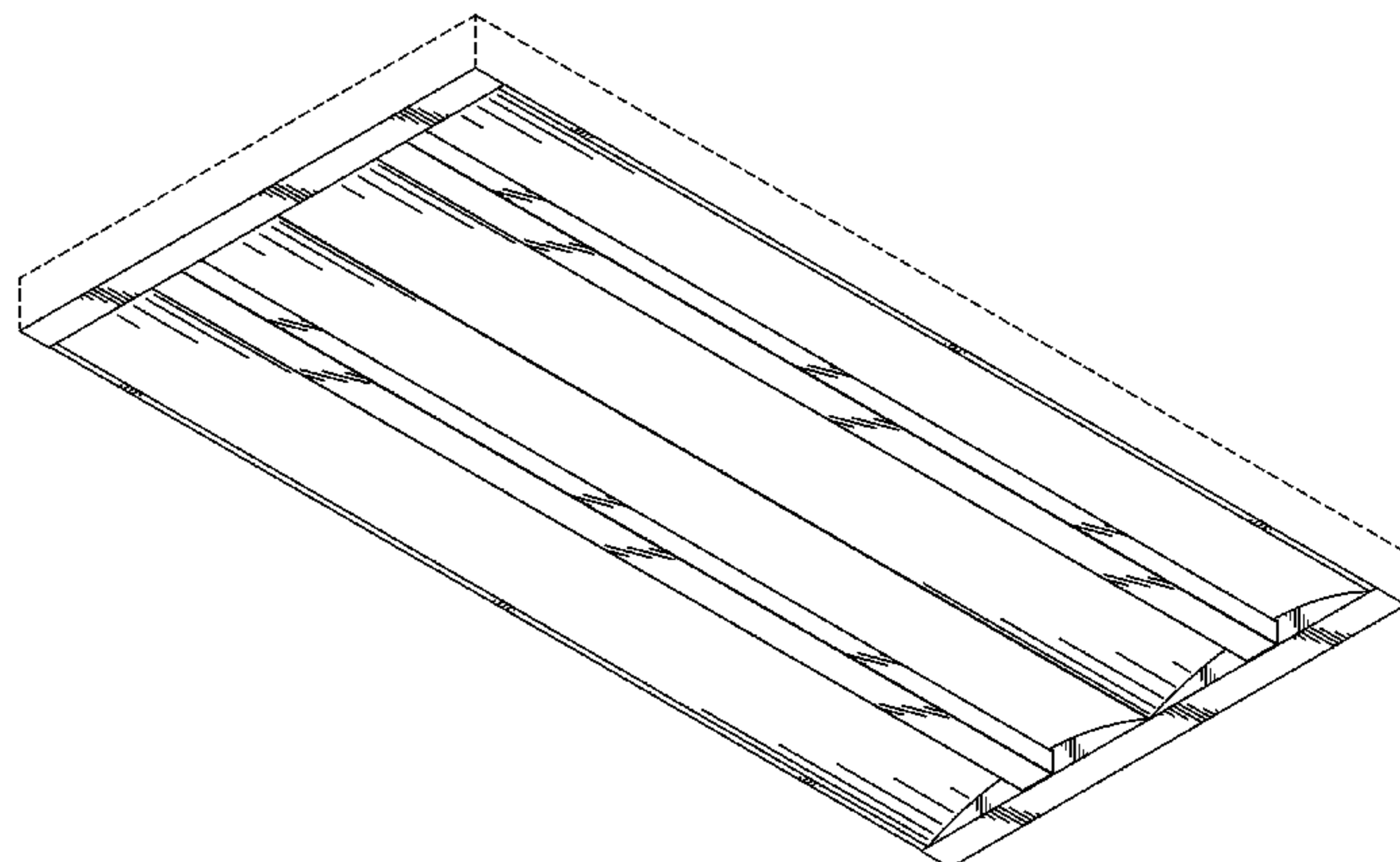
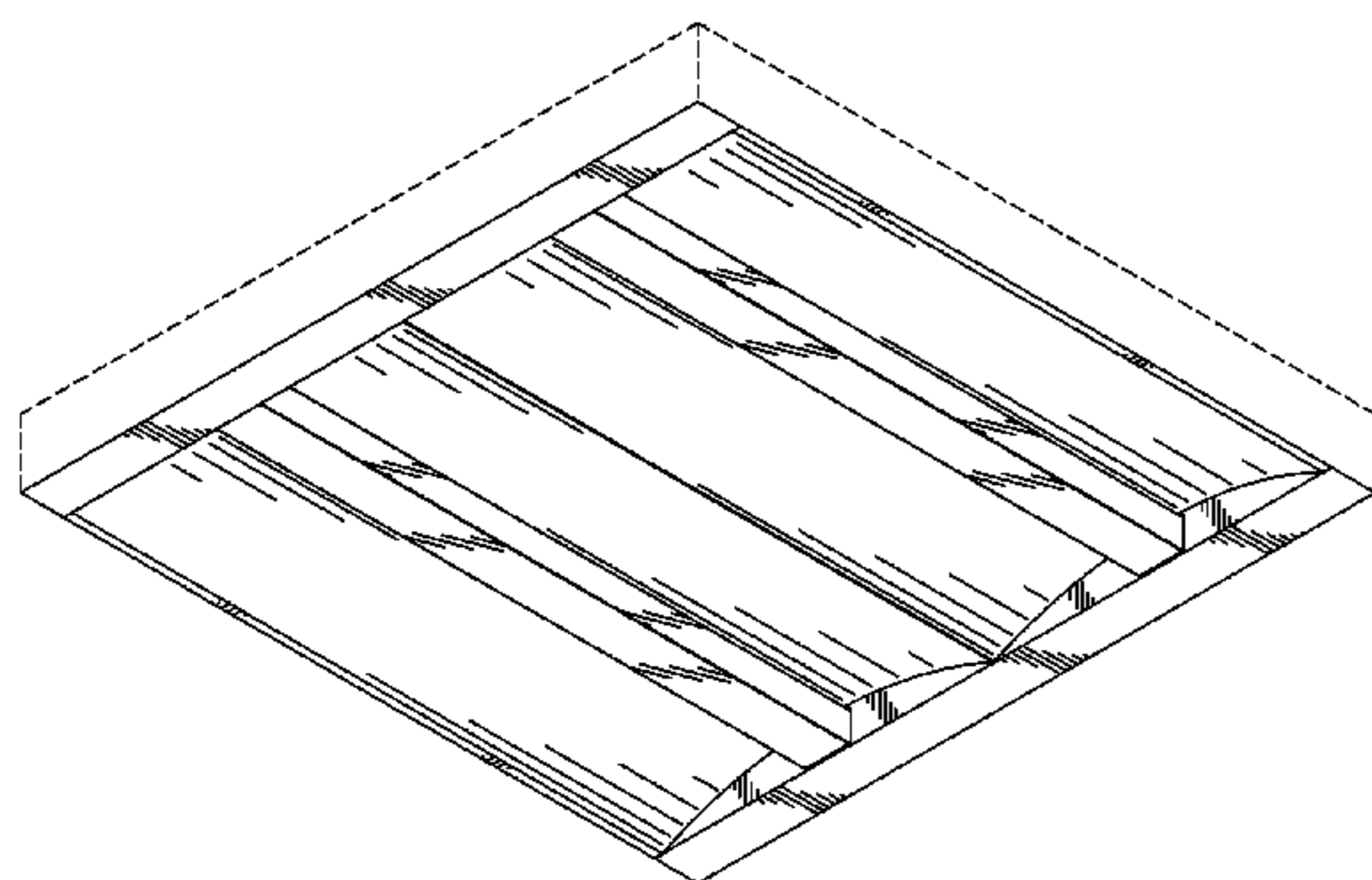
FIG. 4 is a bottom perspective view of an alternate embodiment of a light fixture according to my design.

FIG. 5 is a right side elevation view of the light fixture of FIG. 4, the left side elevation view being a mirror image of the right side view, it being understood that the front and rear elevation views of the light fixture of FIG. 4 are identical to the view shown in FIG. 2; and,

FIG. 6 is a bottom plan view of the light fixture of FIG. 4.

The broken lines illustrate portions of the light fixture which form no part of the claimed design.

1 Claim, 4 Drawing Sheets



US D609,385 S

Page 2

U.S. PATENT DOCUMENTS

D379,546 S	5/1997	Littman		D486,262 S *	2/2004	Chen	D26/77
5,803,589 A *	9/1998	Lee	362/225	6,752,513 B2	6/2004	Plunk	
D399,586 S	10/1998	Ranieri et al.		D496,121 S	9/2004	Santoro		
D407,473 S *	3/1999	Wimbock	D23/328	6,854,860 B2	2/2005	Plunk	
5,902,035 A	5/1999	Mui		7,195,372 B2	3/2007	Plunk		
5,921,666 A	7/1999	Preston et al.		D544,633 S *	6/2007	Mayfield et al.	D26/118
D413,402 S	8/1999	Ranieri et al.		D544,992 S *	6/2007	Mayfield et al.	D26/118
5,988,836 A	11/1999	Swarens		7,229,192 B2	6/2007	Mayfield et al.		
6,070,995 A	6/2000	Kanai		7,234,832 B2	6/2007	Lippis et al.		
6,092,913 A	7/2000	Edwards		7,261,435 B2	8/2007	Gould et al.		
6,102,550 A	8/2000	Edwards		D556,358 S	11/2007	Santoro		
6,367,955 B1	4/2002	Rhee		7,314,295 B2	1/2008	Legat et al.		
6,435,701 B1	8/2002	Chen		D561,383 S *	2/2008	Hukle et al.	D26/120
6,601,976 B1	8/2003	Rhee		2007/0211457 A1	9/2007	Mayfield et al.		

* cited by examiner

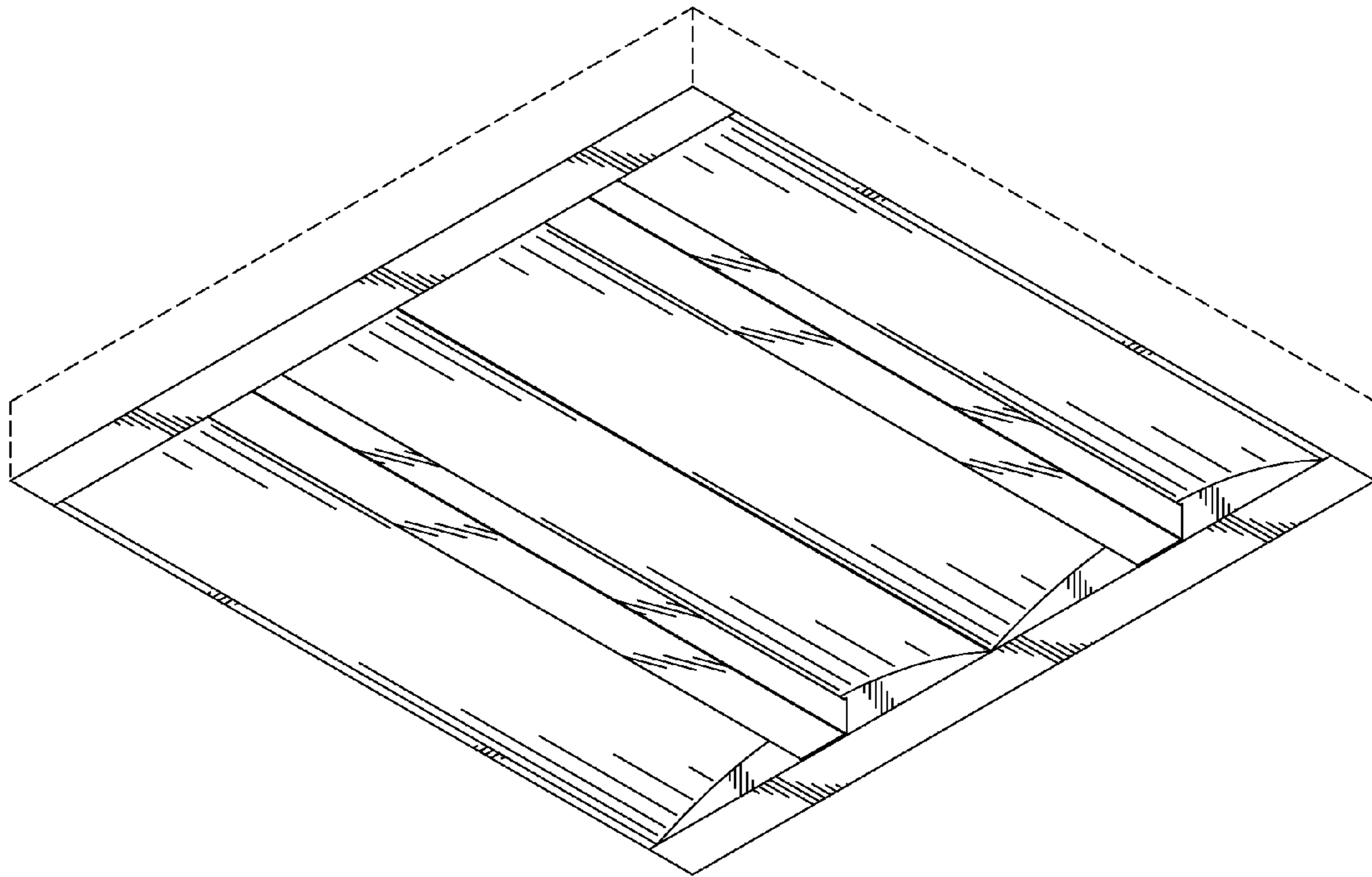


FIG. 1



FIG. 2

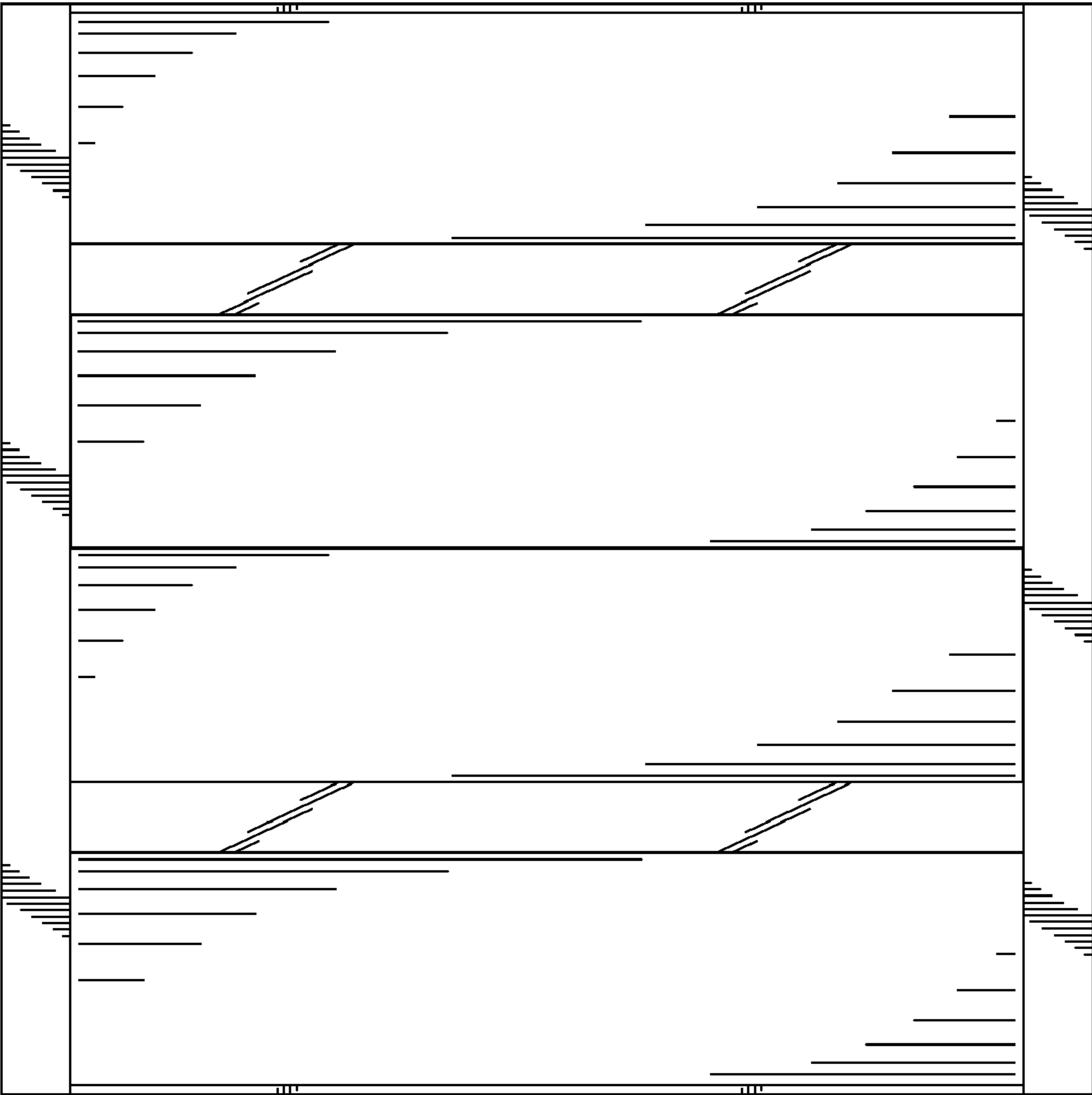


FIG. 3

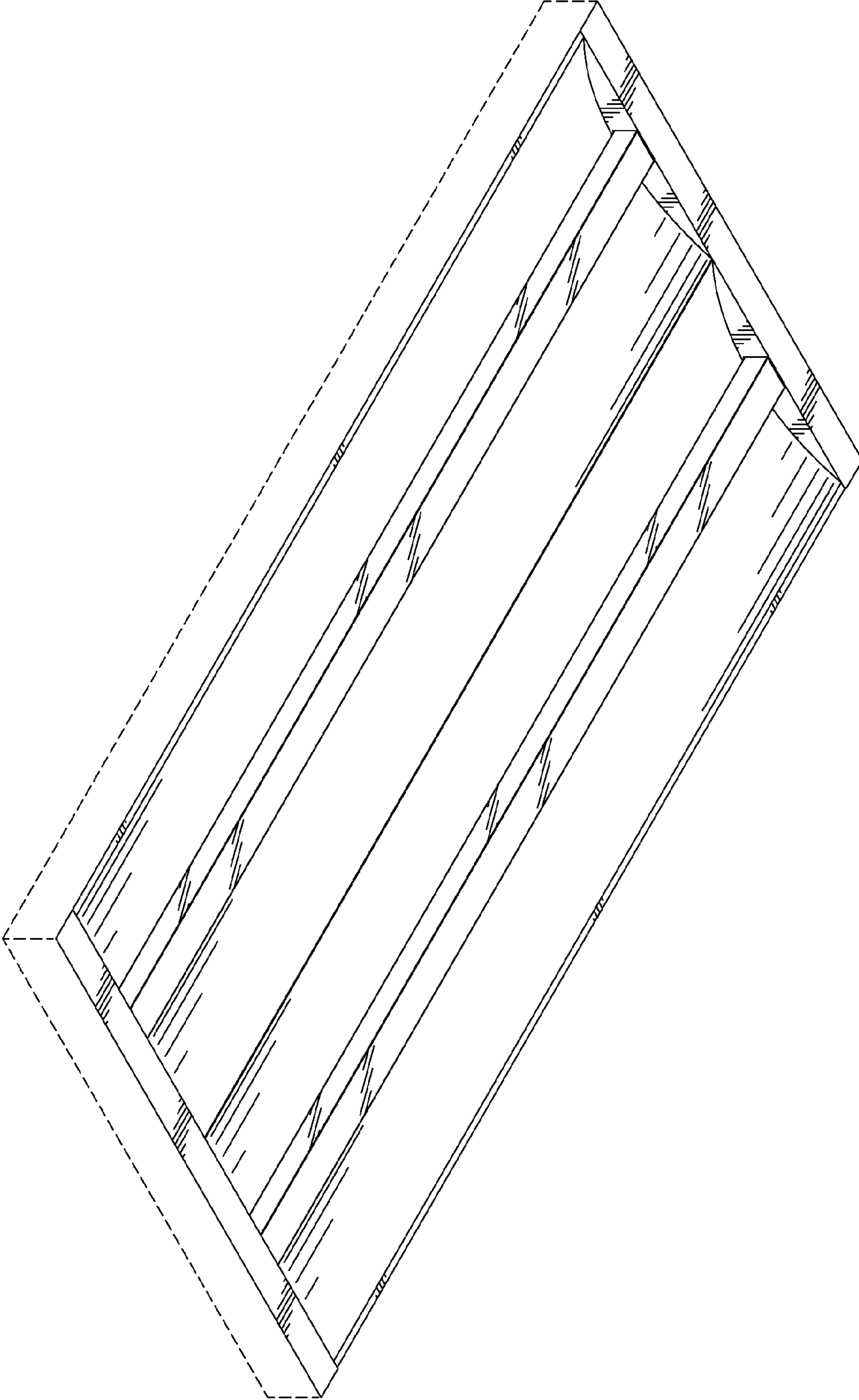


FIG. 4

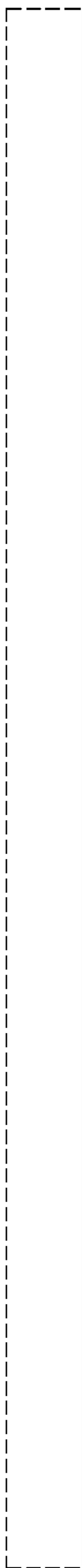


FIG. 5

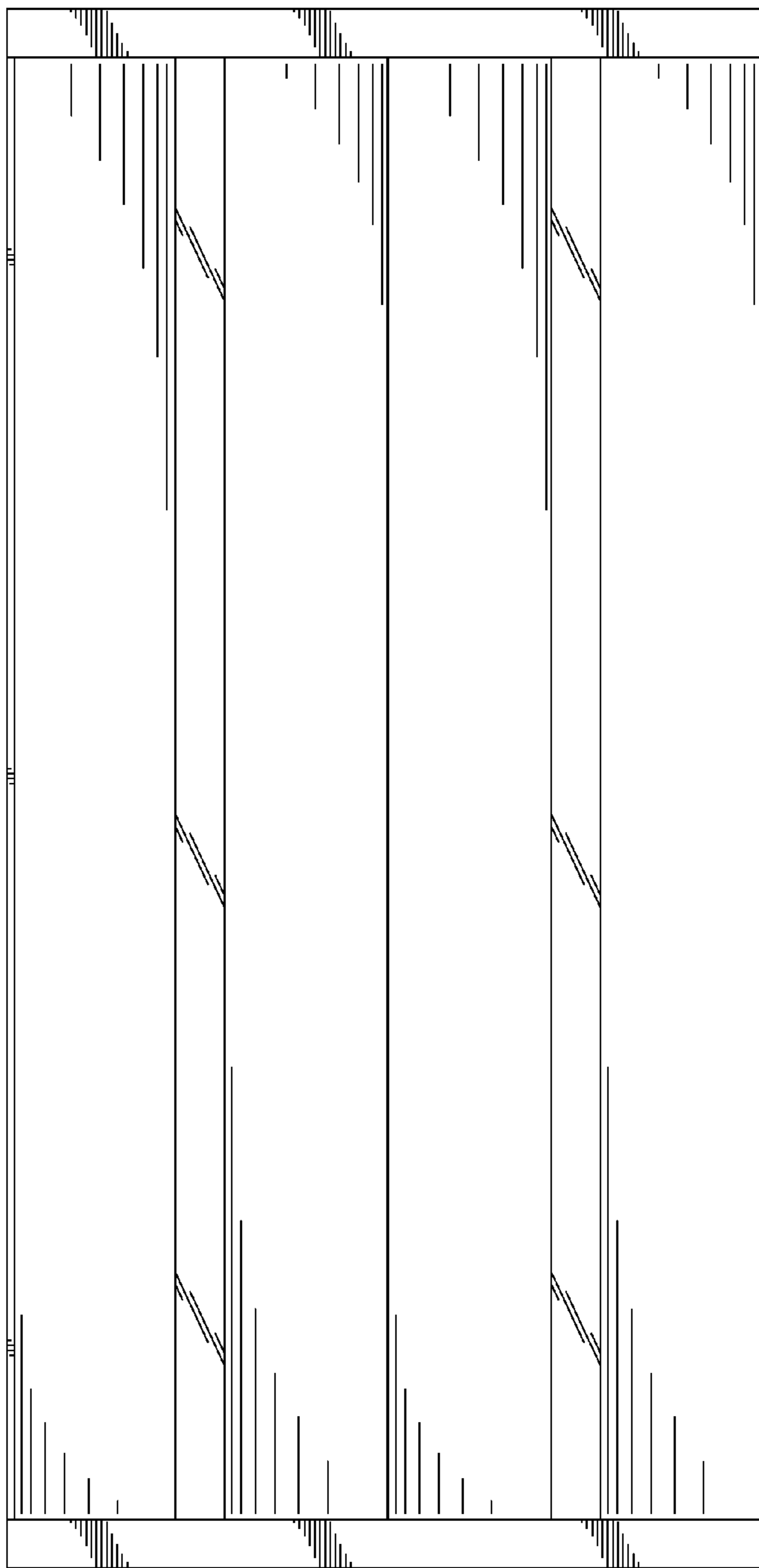


FIG. 6