



US00D609384S

(12) **United States Design Patent**  
**Gray et al.**

(10) **Patent No.:** **US D609,384 S**

(45) **Date of Patent:** **\*\* Feb. 2, 2010**

(54) **OUTDOOR ILLUMINATION FIXTURE**

(75) Inventors: **Robert A. Gray**, Holland, MI (US);  
**Chris Gauden**, Suttons Bay, MI (US);  
**Fred Sorensen**, Cedar, MI (US); **Tom**  
**Kearney**, Berkley, MI (US)

(73) Assignee: **Xus Corporation, Inc.**, Holland, MI  
(US)

(\*\*) Term: **14 Years**

(21) Appl. No.: **29/327,800**

(22) Filed: **Nov. 13, 2008**

(51) **LOC (9) Cl.** ..... **26-05**

(52) **U.S. Cl.** ..... **D26/71; D26/92**

(58) **Field of Classification Search** ..... D26/67-72,  
D26/85, 92; 362/145, 152, 183, 294, 373,  
362/414, 431, 545

See application file for complete search history.

(56) **References Cited**

**U.S. PATENT DOCUMENTS**

D264,135 S *	4/1982	Zwillich et al. ....	D26/71
D391,659 S *	3/1998	Gaskins et al. ....	D26/71
D531,342 S *	10/2006	Kauffman et al. ....	D26/68
D556,935 S *	12/2007	Quioque et al. ....	D26/71
D569,540 S *	5/2008	Bourgeois et al. ....	D26/85

D570,025 S *	5/2008	Walker .....	D26/71
D573,741 S *	7/2008	Lou .....	D26/71
D591,445 S *	4/2009	Guercio .....	D26/92

\* cited by examiner

*Primary Examiner*—Clare E Heflin

(74) *Attorney, Agent, or Firm*—McGarry Bair PC

(57) **CLAIM**

The ornamental design for an outdoor illumination fixture, as shown and described.

**DESCRIPTION**

FIG. 1 is a front perspective view of an outdoor illumination fixture which embodies our design;

FIG. 2 is a bottom perspective view thereof;

FIG. 3 is a front view thereof;

FIG. 4 is a rear view thereof,

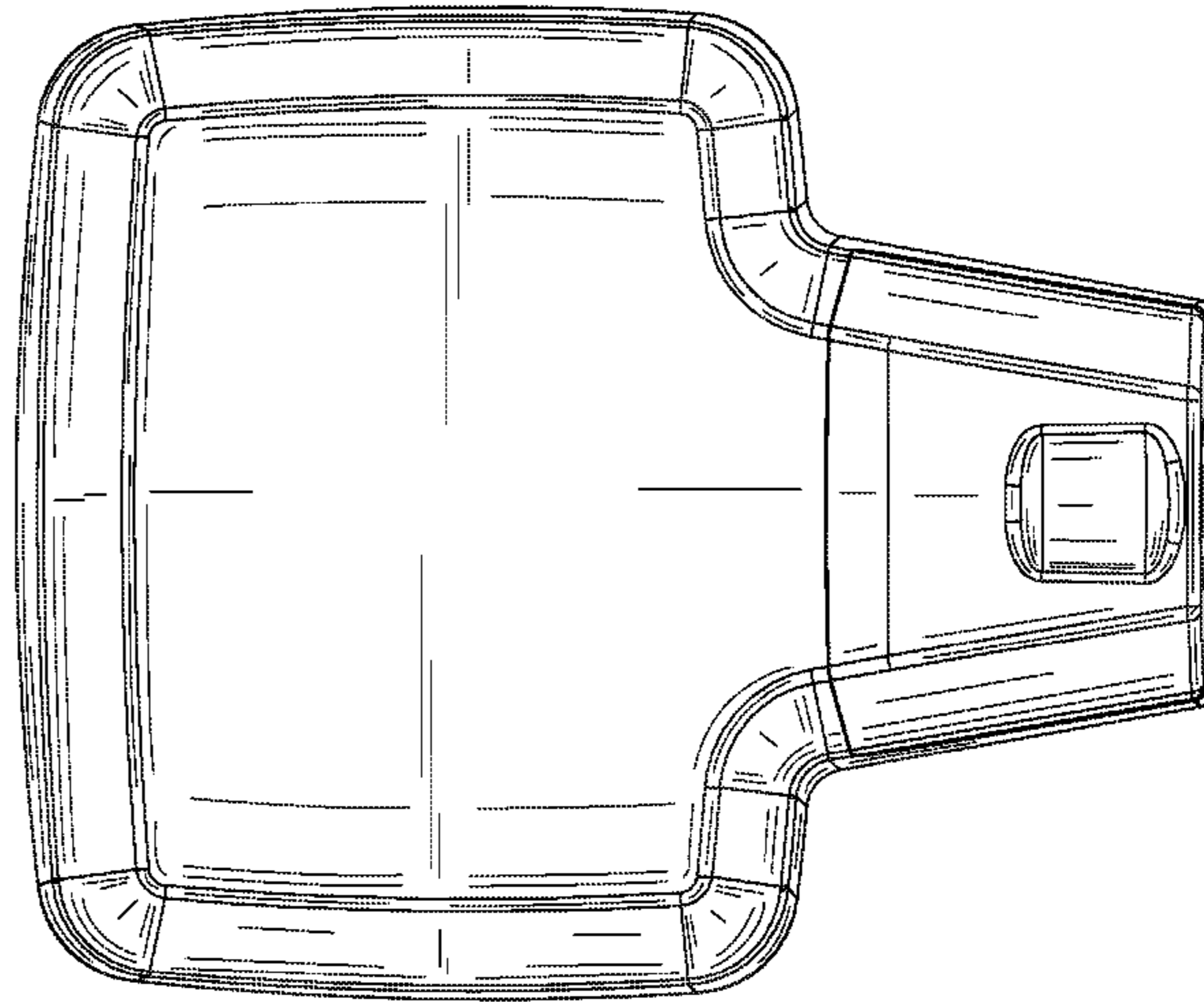
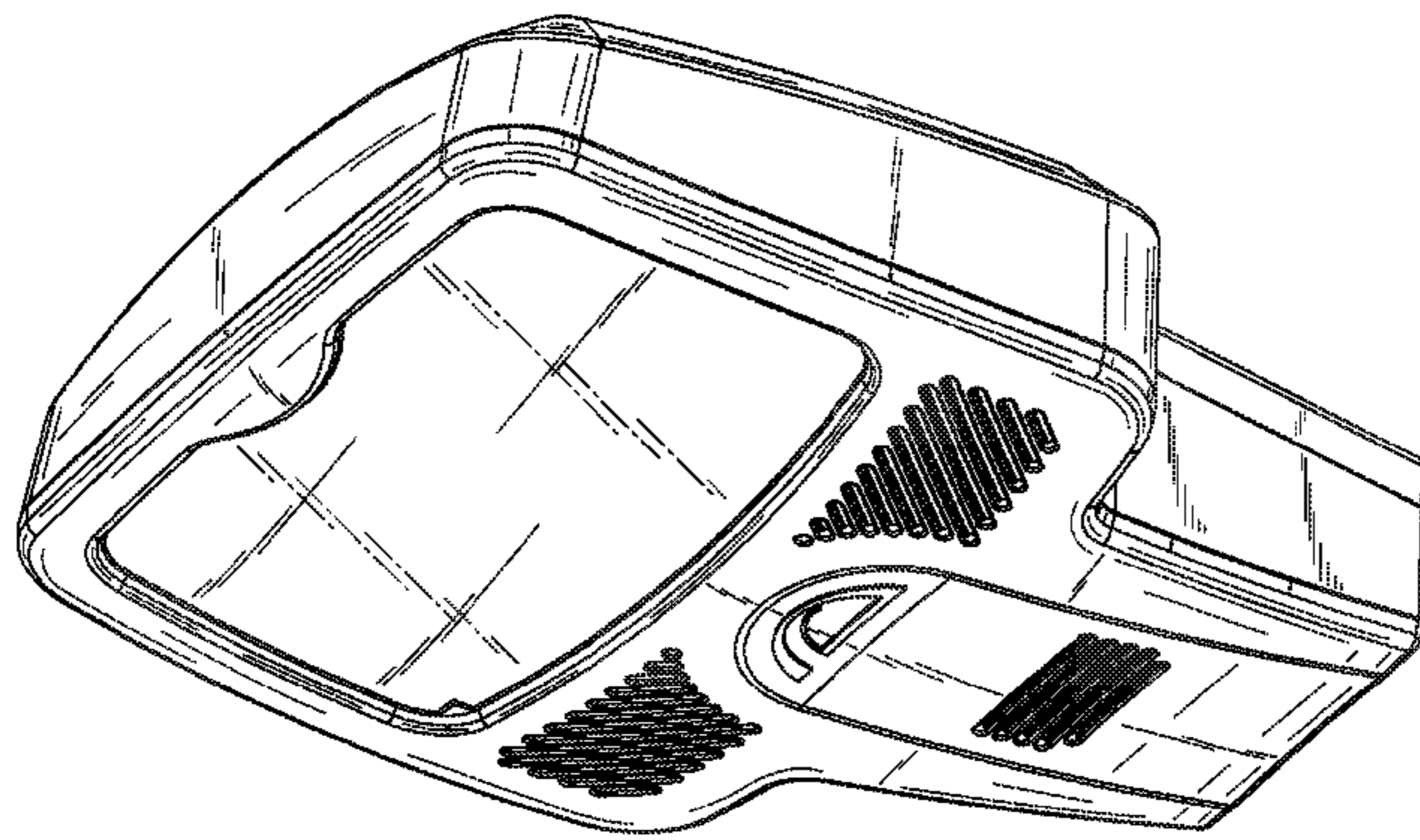
FIG. 5 is a right side view, the left side view thereof being a mirror image thereof;

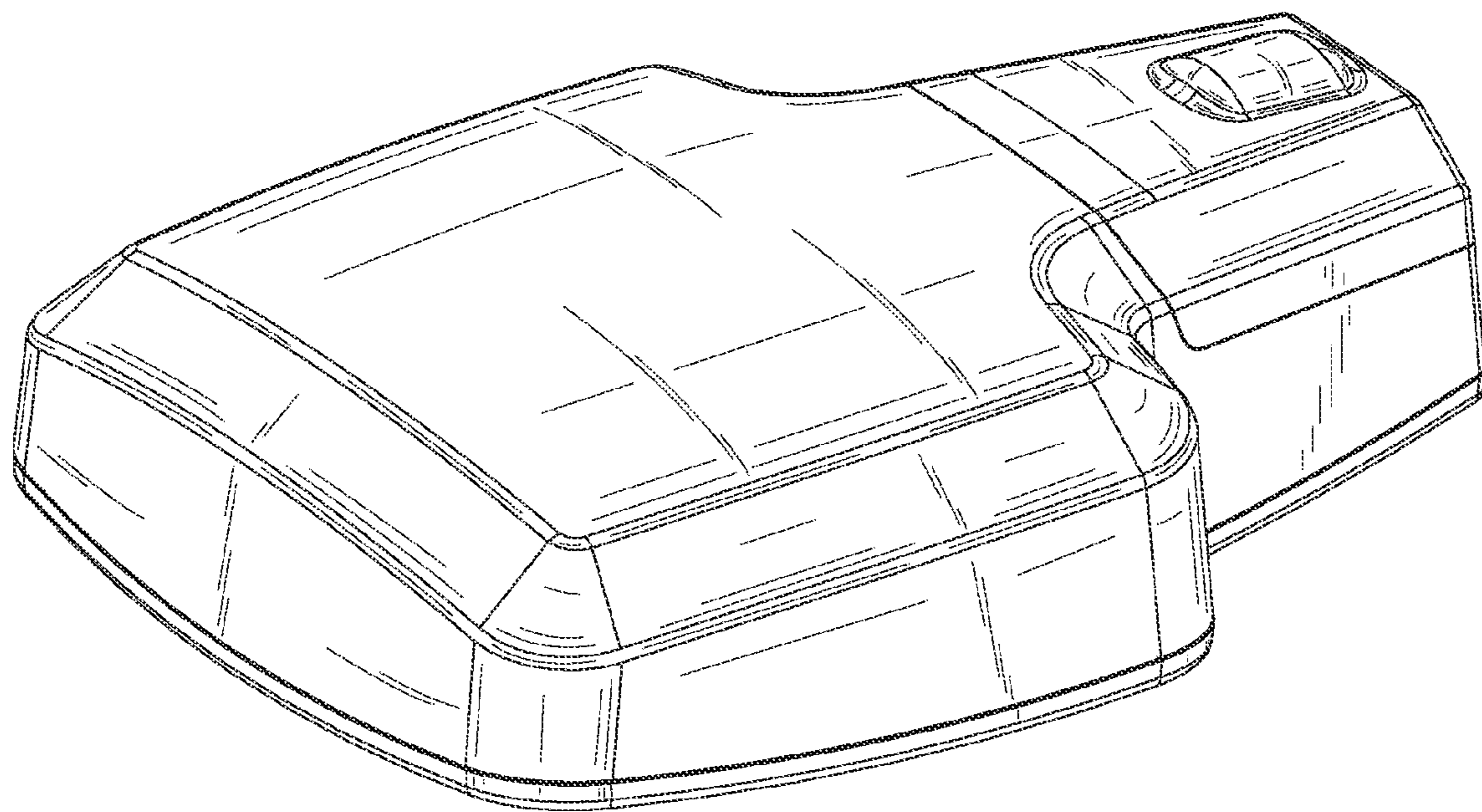
FIG. 6 is a top view thereof; and,

FIG. 7 is a bottom view thereof.

The broken lines shown in FIG. 4 depict environment only and form no part of the claimed design.

**1 Claim, 6 Drawing Sheets**





**Fig. 1**

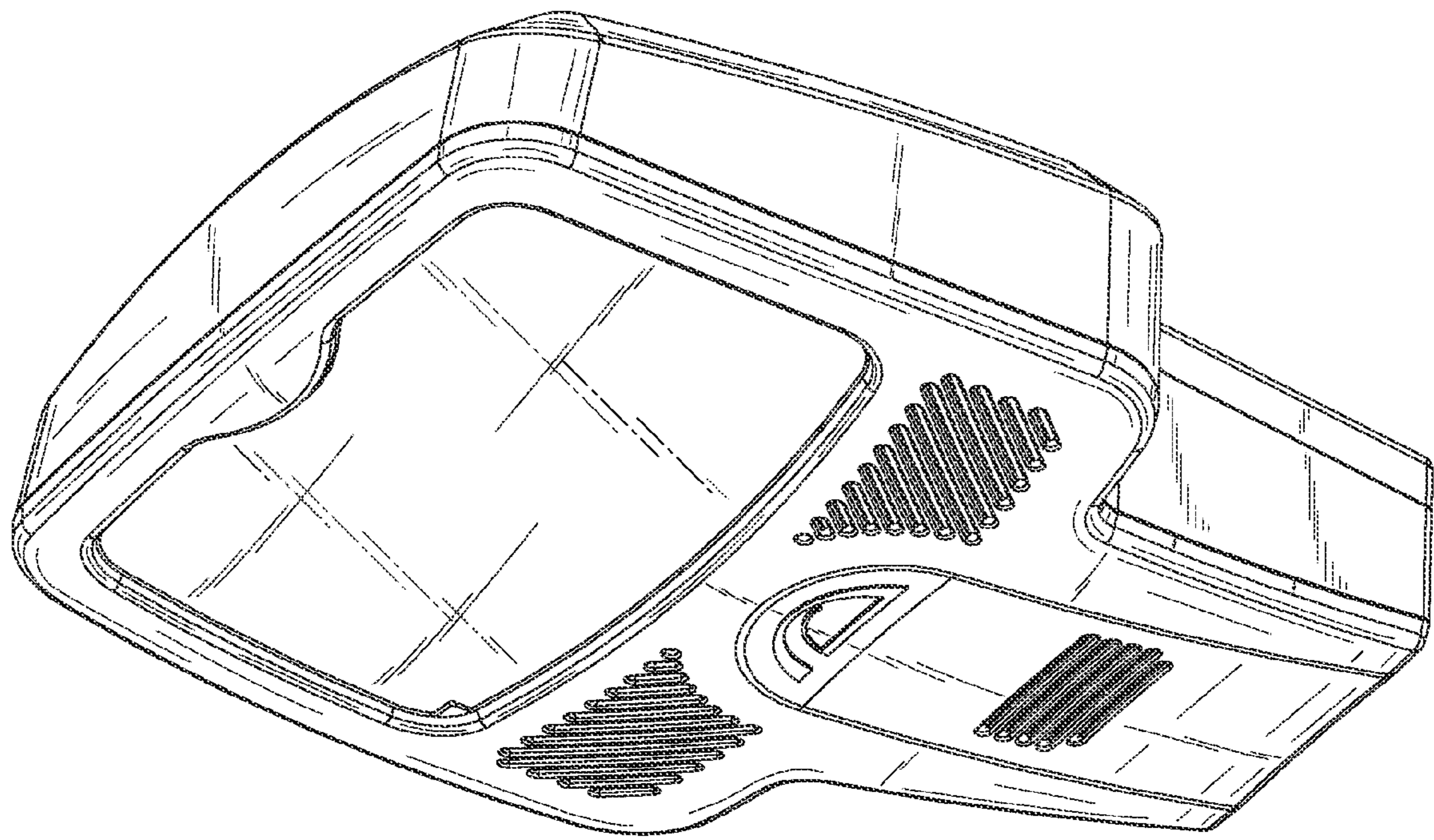
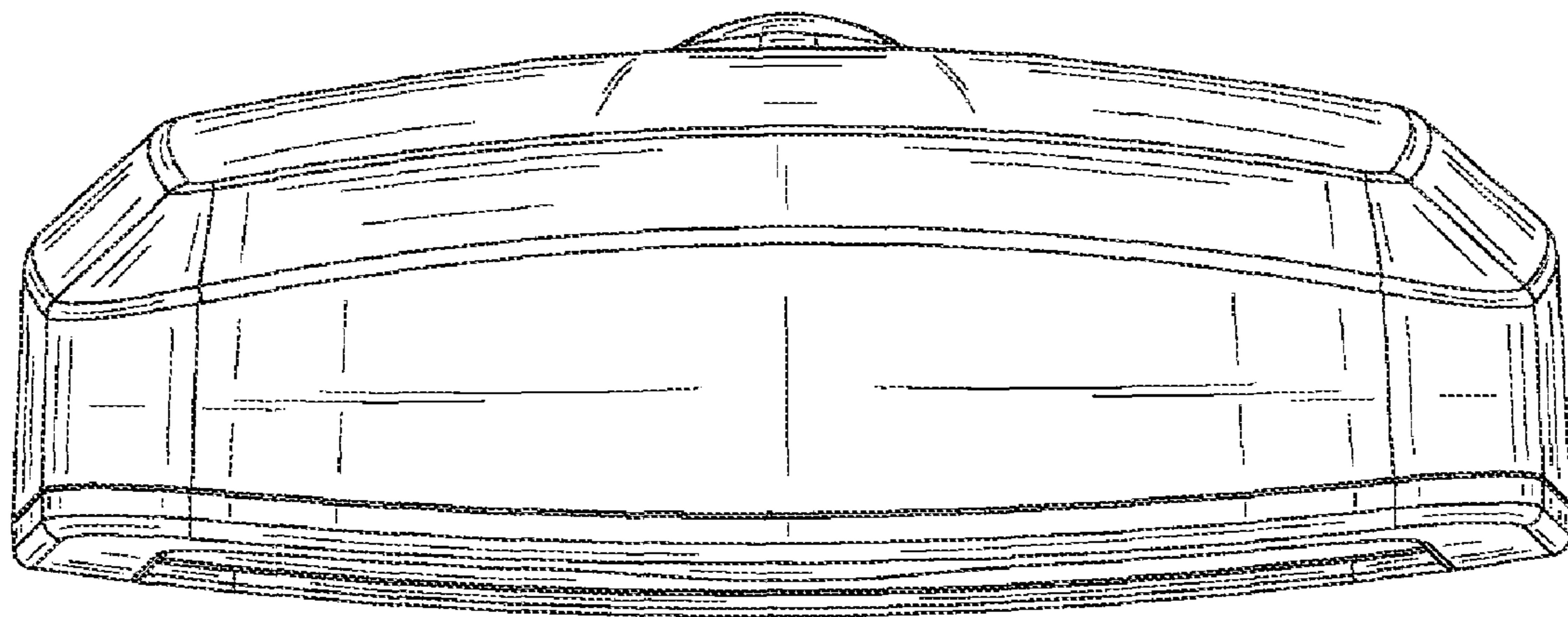
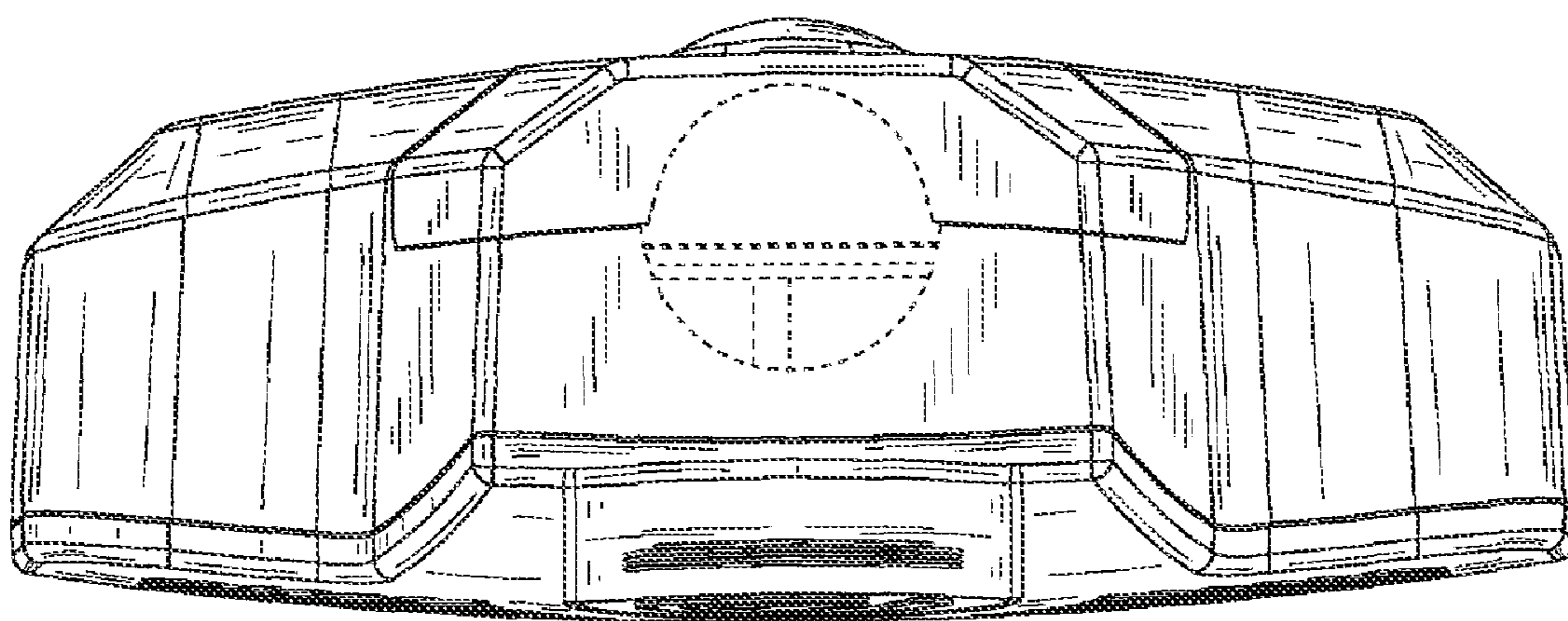


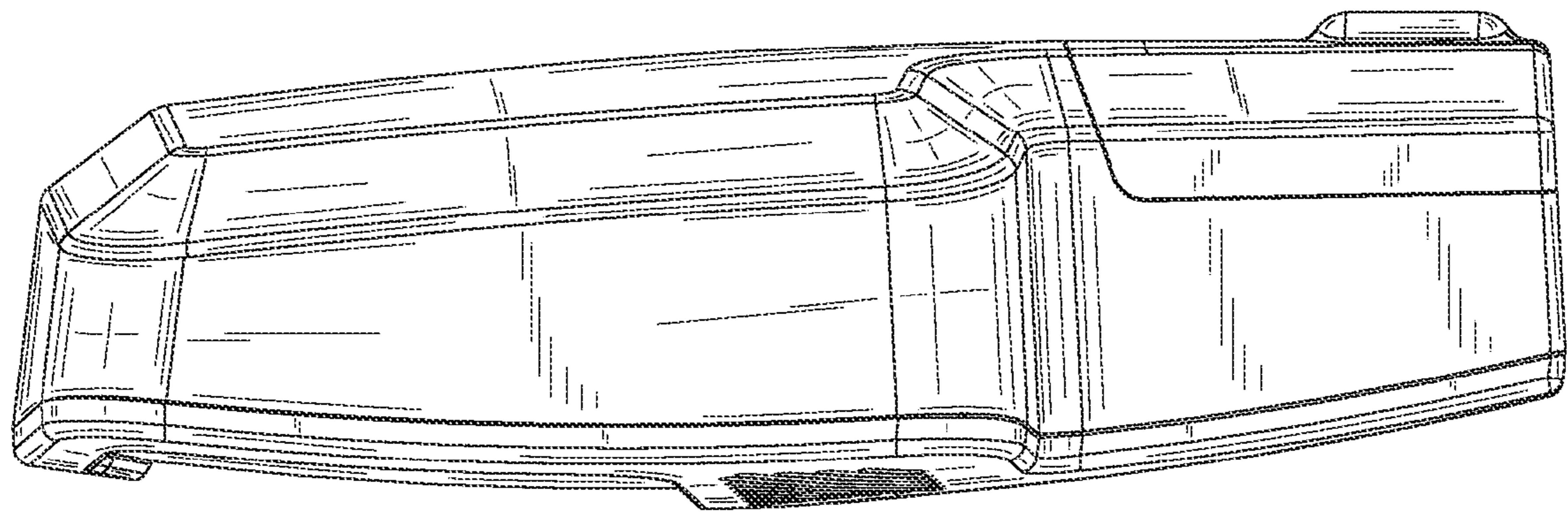
Fig. 2



**Fig. 3**



**Fig. 4**



**Fig. 5**

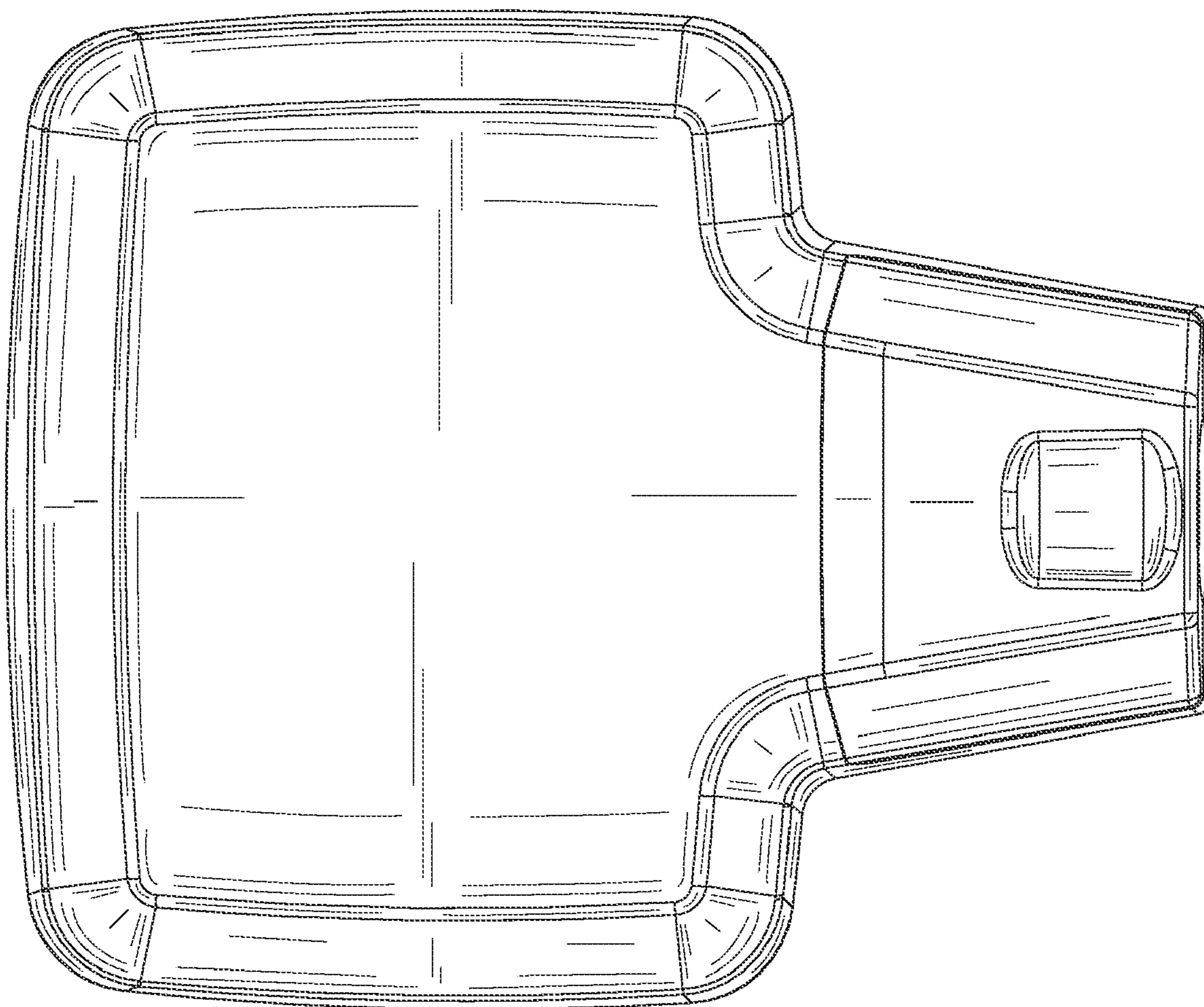


Fig. 6

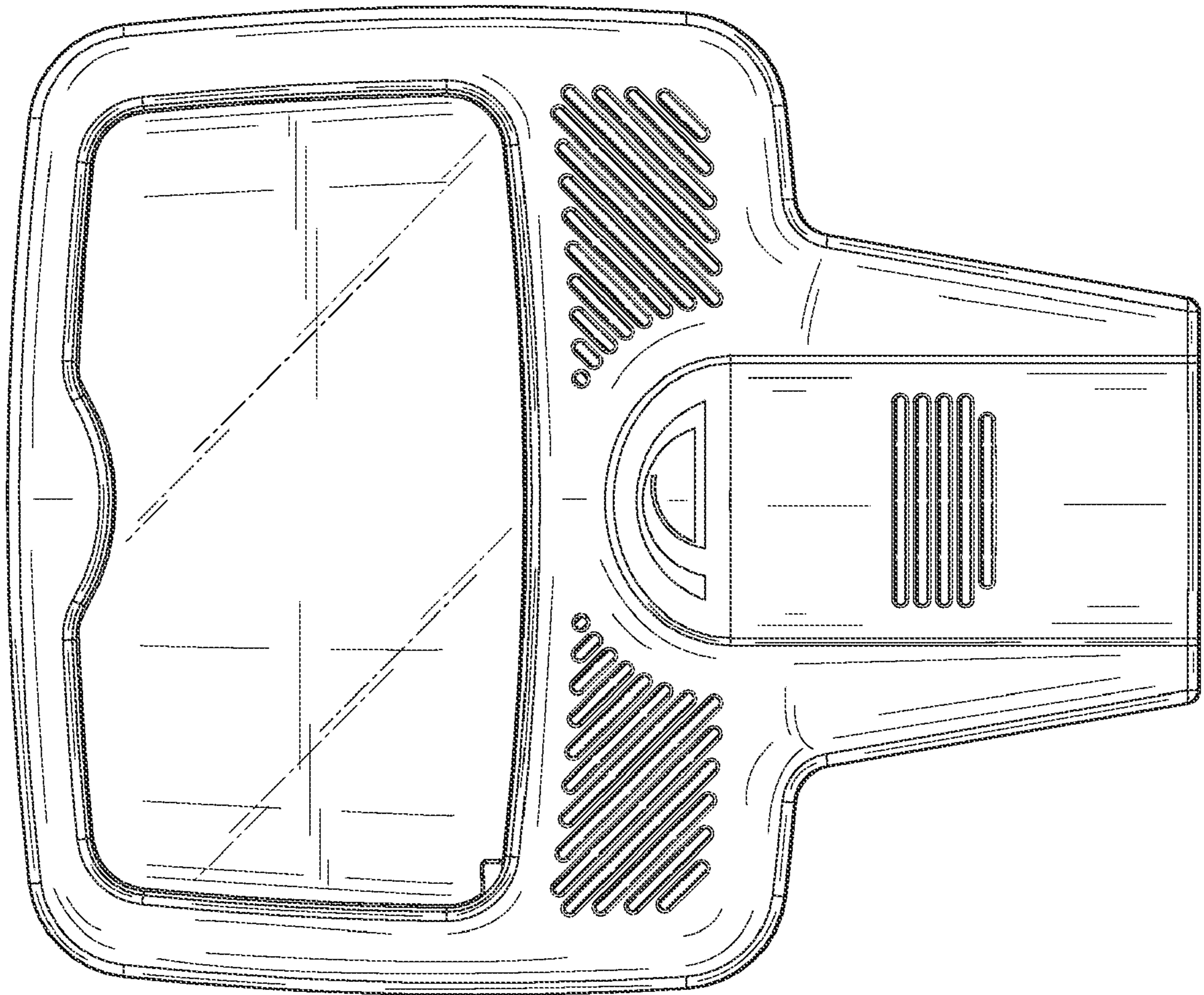


Fig. 7